

US00D542457S

(12) **United States Design Patent**
Fisherman et al.

(10) **Patent No.:** **US D542,457 S**

(45) **Date of Patent:** **** May 8, 2007**

(54) **MULTI-FUNCTION READING LIGHT FOR ATTACHMENT TO BOOK COVERS**

(75) Inventors: **Eric Fisherman**, Upper Saddle River, NJ (US); **Wai Hong Chan**, Hong Kong (CN); **Sze Man Cheung**, Hong Kong (CN); **Robert Naas**, Skaneateles, NY (US)

(73) Assignee: **Eric Fisherman, Inc.**, Ridgewood, NJ (US)

(**) Term: **14 Years**

(21) Appl. No.: **29/248,727**

(22) Filed: **Aug. 30, 2006**

(51) **LOC (8) Cl.** **26-05**

(52) **U.S. Cl.** **D26/66; D26/60; D26/61**

(58) **Field of Classification Search** **D26/37, D26/43, 44, 60-63, 65; 362/98, 99, 109-114, 362/191, 197, 198, 287, 427, 396**

See application file for complete search history.

(56) **References Cited**

U.S. PATENT DOCUMENTS

D287,412 S	*	12/1986	Fung	D26/60
5,169,226 A	*	12/1992	Friedman	362/427
D449,126 S	*	10/2001	Zeller	D26/60
D509,012 S	*	8/2005	Chan	D26/60
D522,156 S	*	5/2006	Schnell	D26/60

* cited by examiner

Primary Examiner—Clare E Heflin
(74) *Attorney, Agent, or Firm*—William J. Sapone; Coleman Sudol Sapone P.C.

(57) **CLAIM**

We claim the ornamental design for a multi-function reading light for attachment to book covers, as shown and described.

DESCRIPTION

FIG. 1 is a right side perspective view of the multi-function reading light for attachment to book covers showing our new design having a telescoping arm with a pivoting light at its end, in a fully extend position;

FIG. 2 is a left side perspective view thereof;

FIG. 3 is a front view thereof;

FIG. 4 is a back view thereof;

FIG. 5 is a right side view thereof;

FIG. 6 is a left side view thereof;

FIG. 7 is a right side perspective view of the multi-function reading light for attachment to book covers showing our new design having the telescoping arm with the pivoting light in a fully retracted and stored position;

FIG. 8 is a left side view thereof;

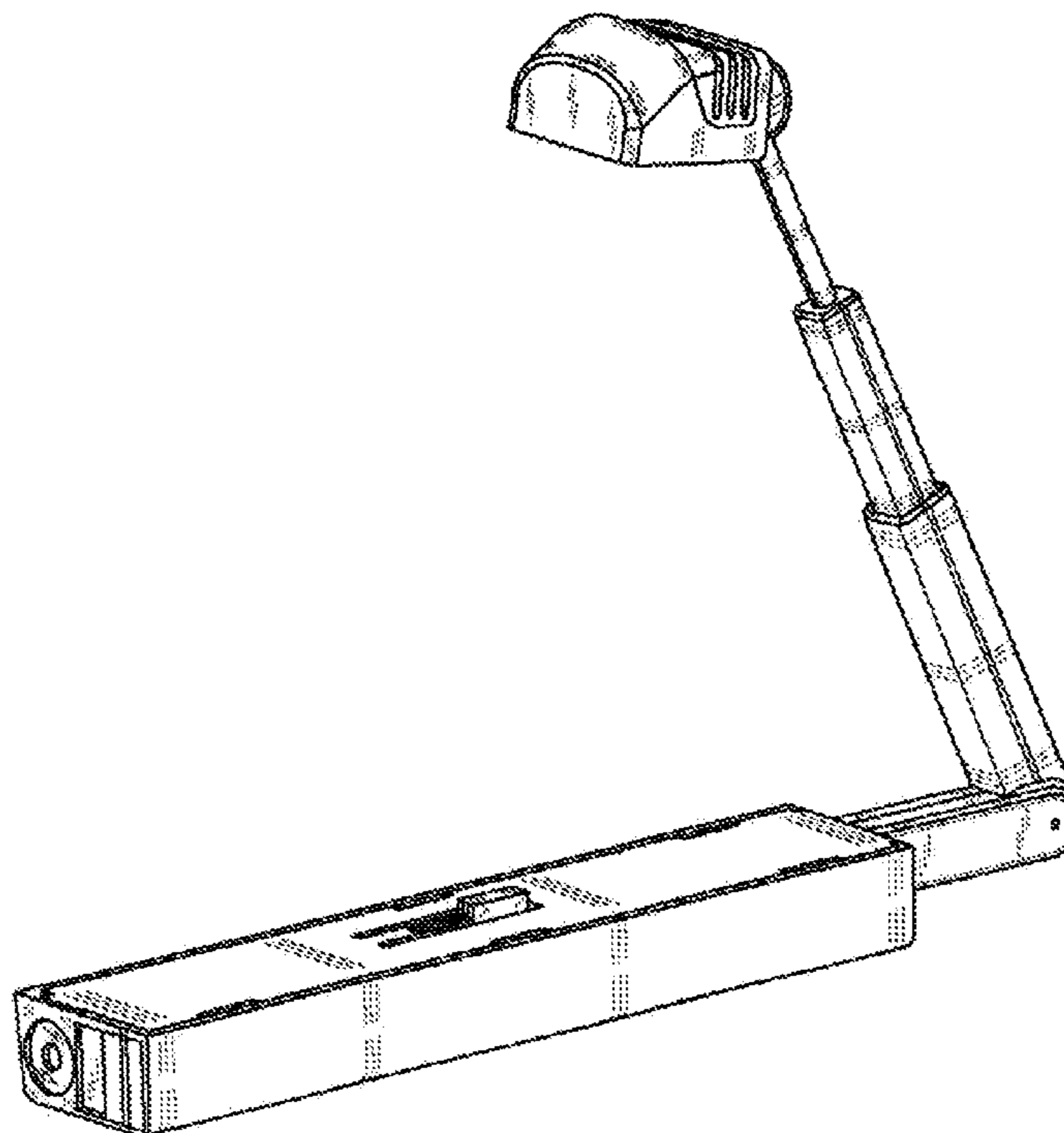
FIG. 9 is a top view thereof;

FIG. 10 is a bottom view thereof; and,

FIG. 11 is top view thereof with the multi-function reading light for attachment to book covers removably incorporated with a book cover.

The broken lines shown on the drawings are for illustrative purposes only and form no part of the claimed design.

1 Claim, 8 Drawing Sheets



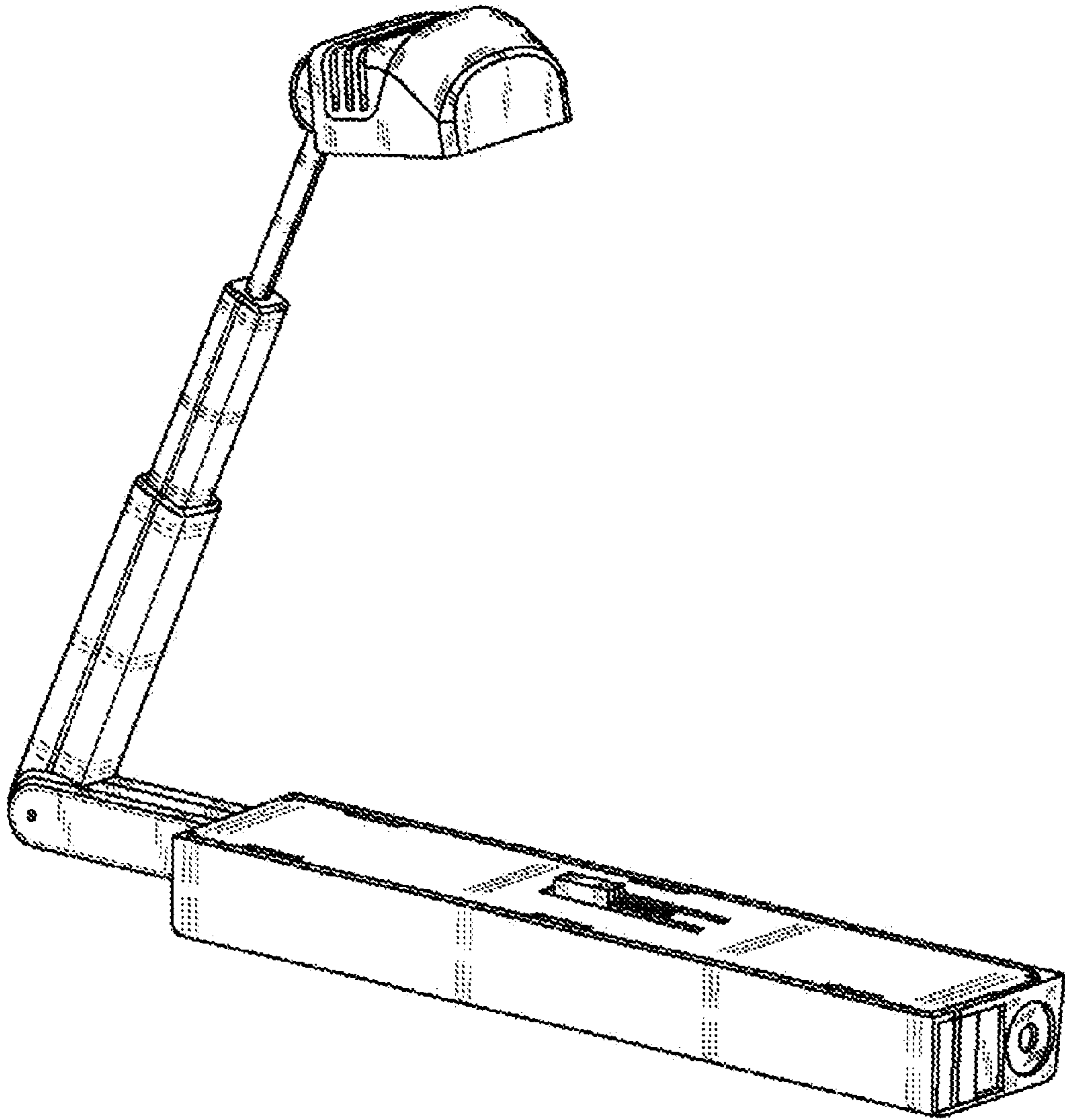


FIG. 1

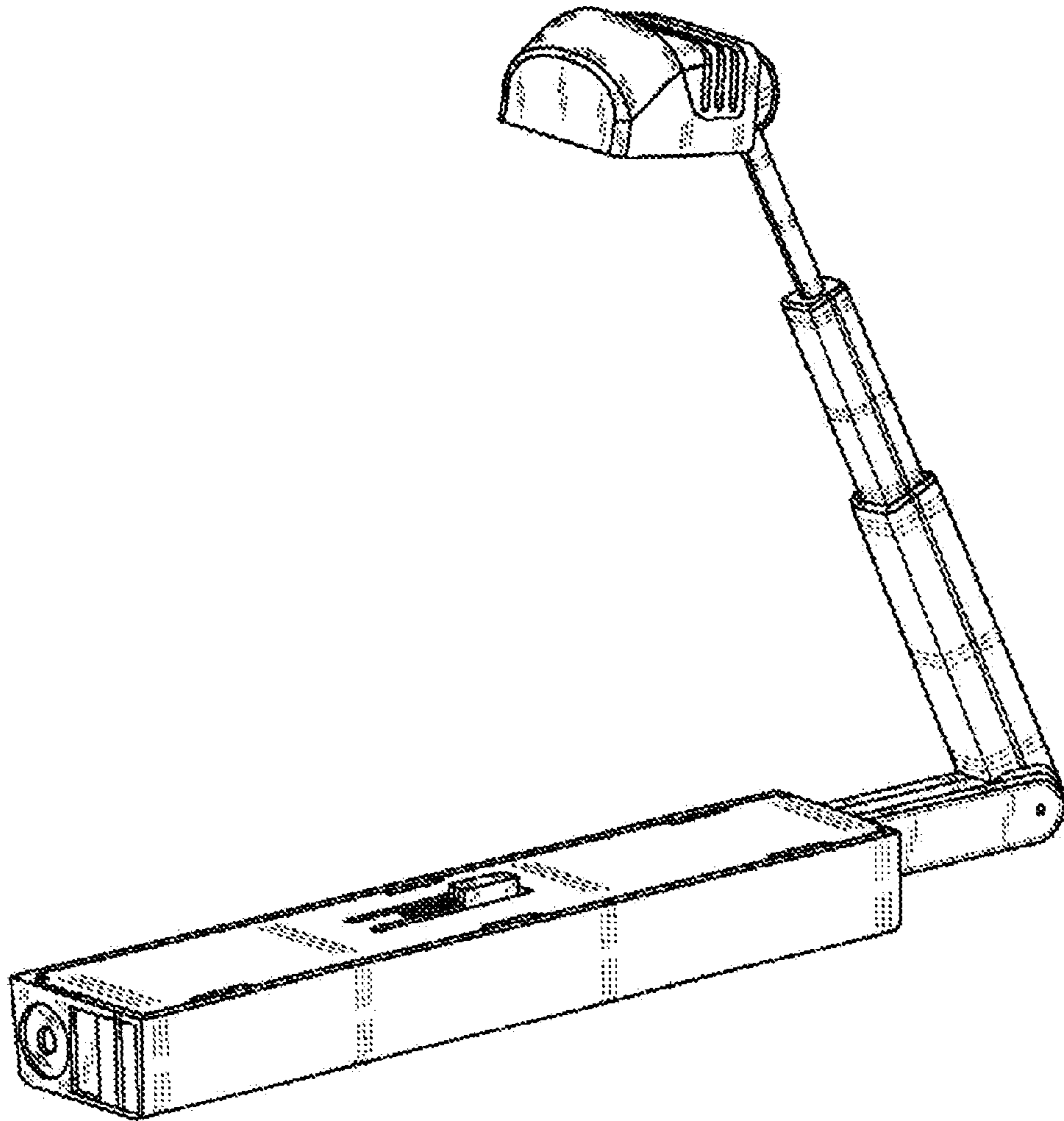


FIG. 2

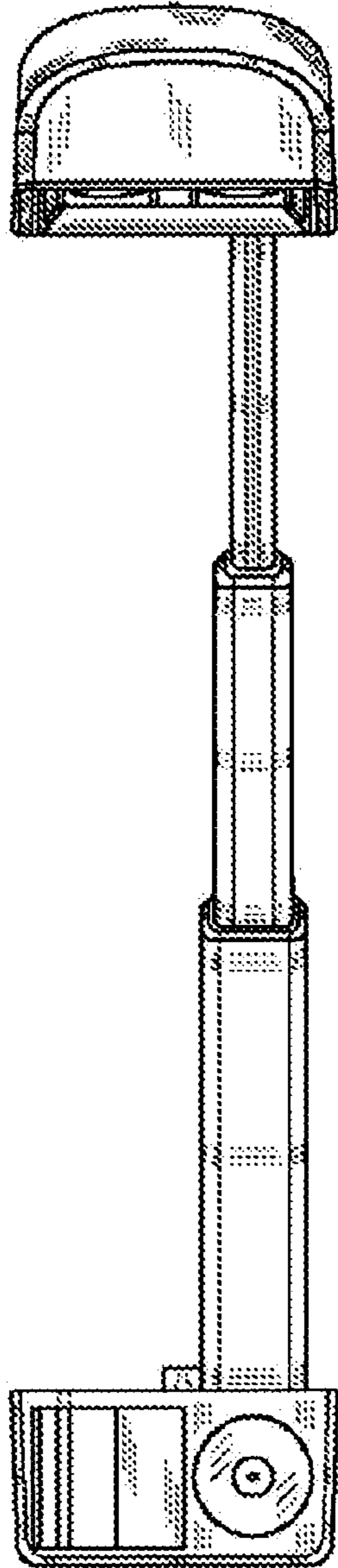


FIG. 3

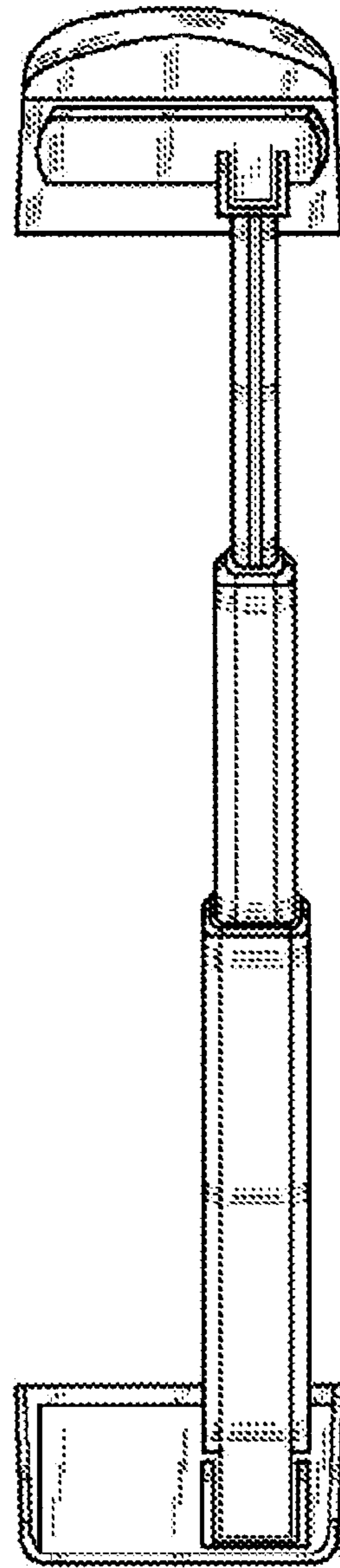


FIG. 4

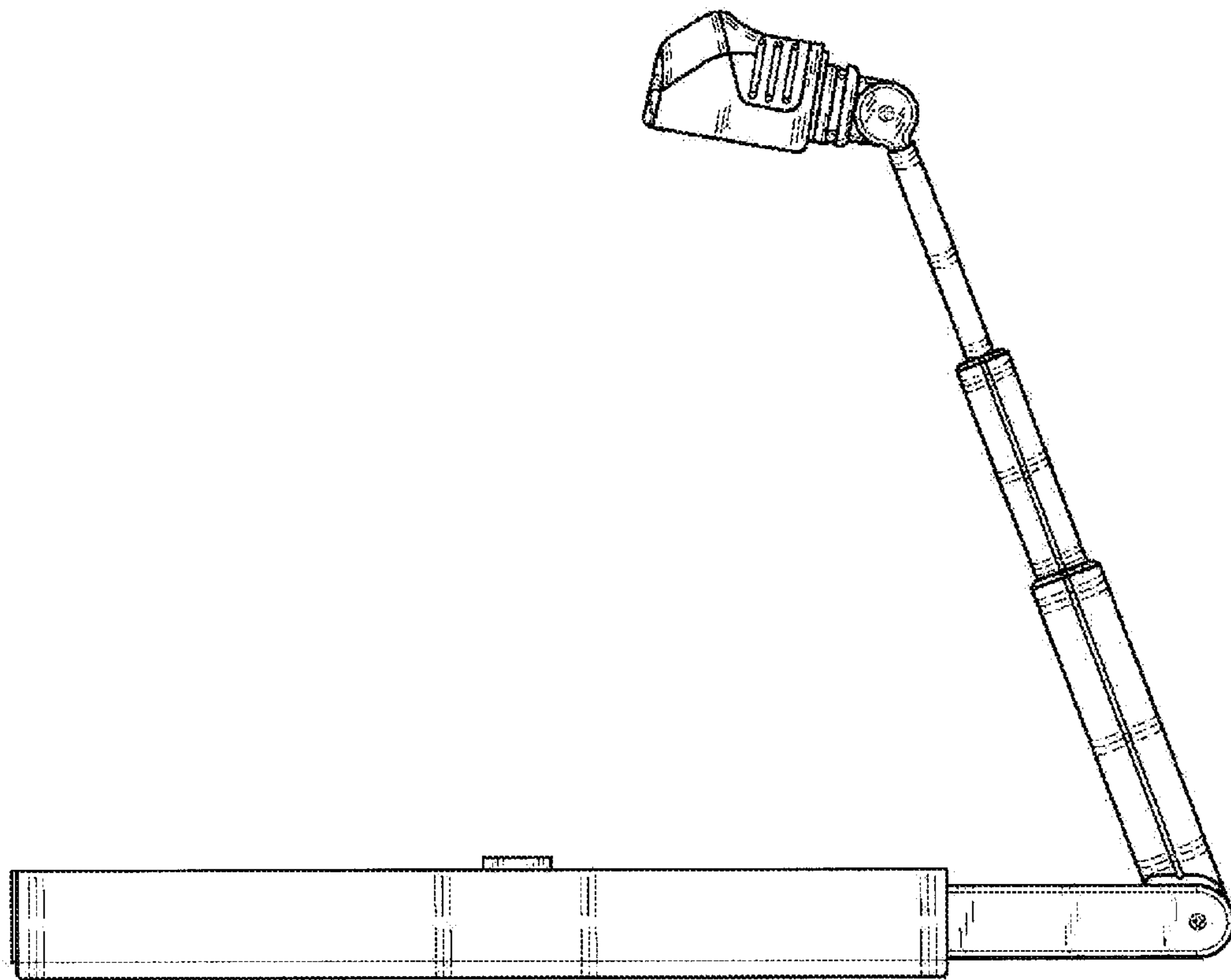


FIG. 5

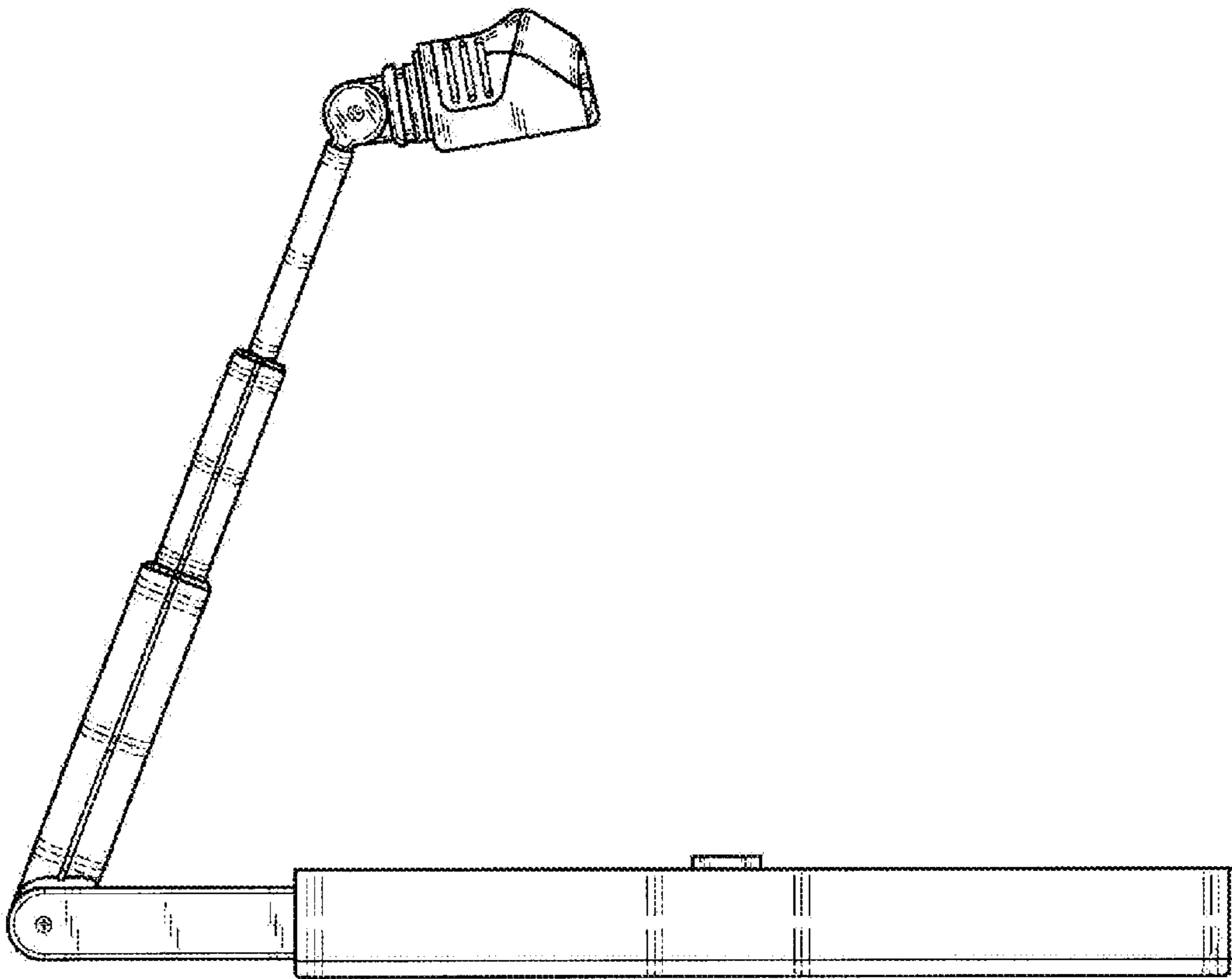


FIG. 6

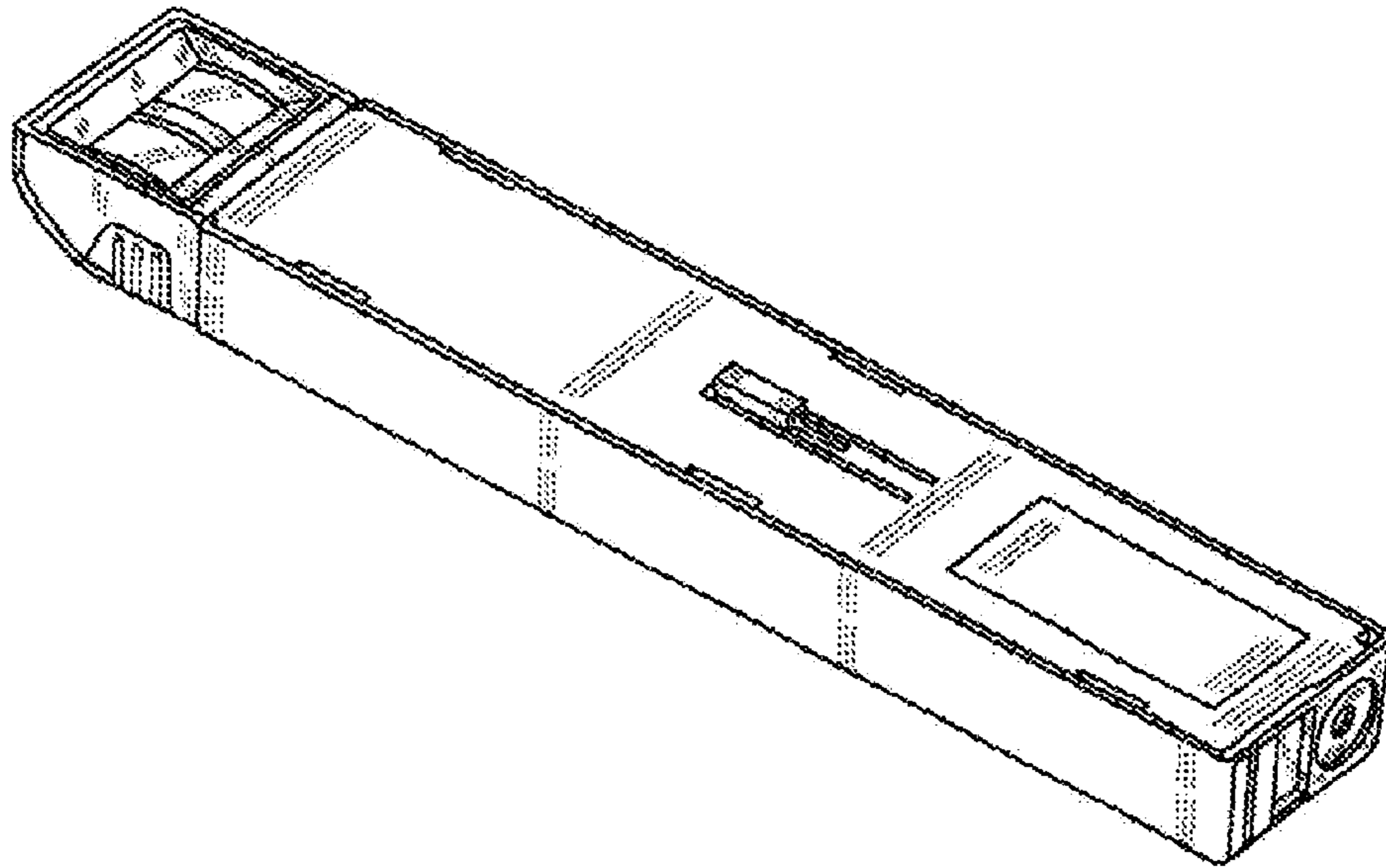


FIG. 7

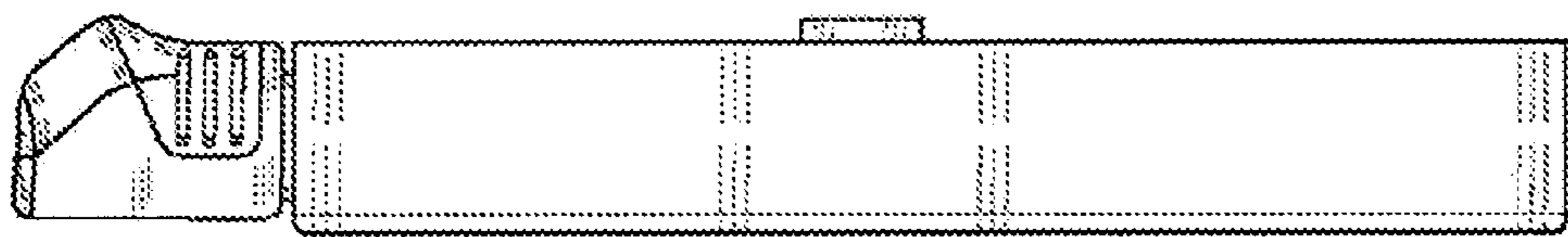


FIG. 8

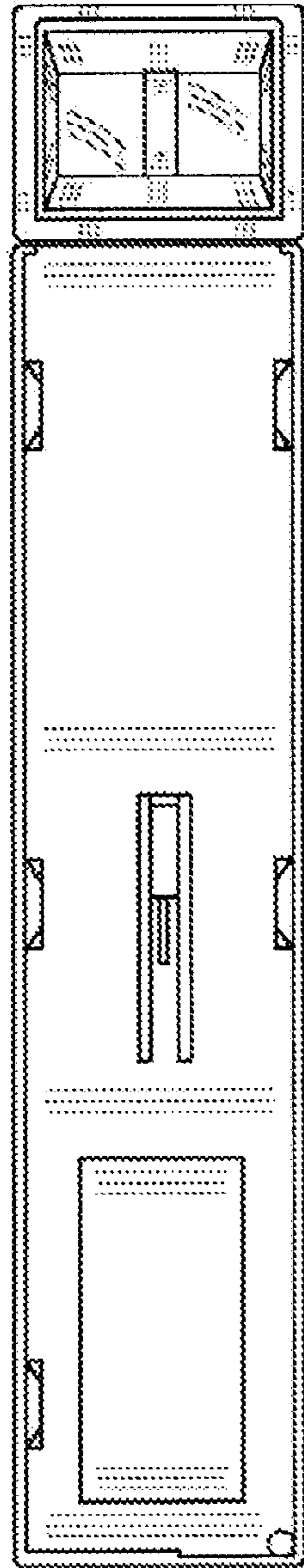


FIG. 9

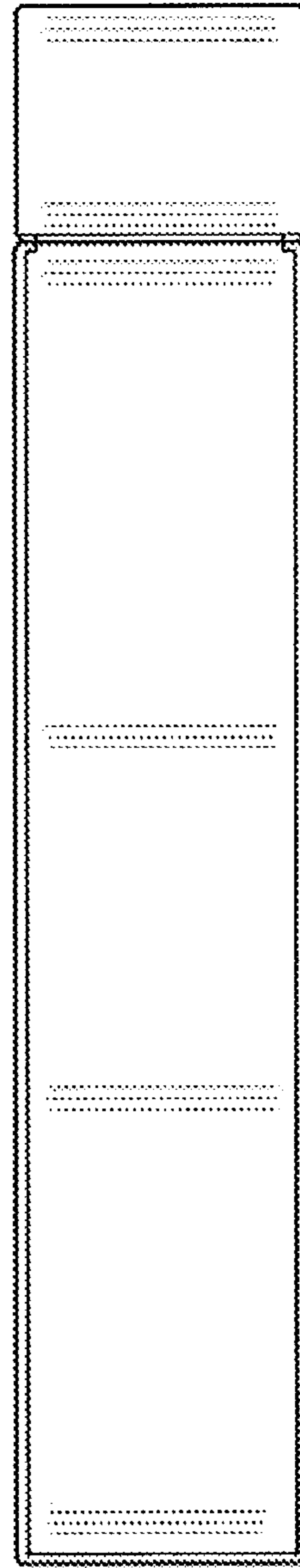


FIG. 10

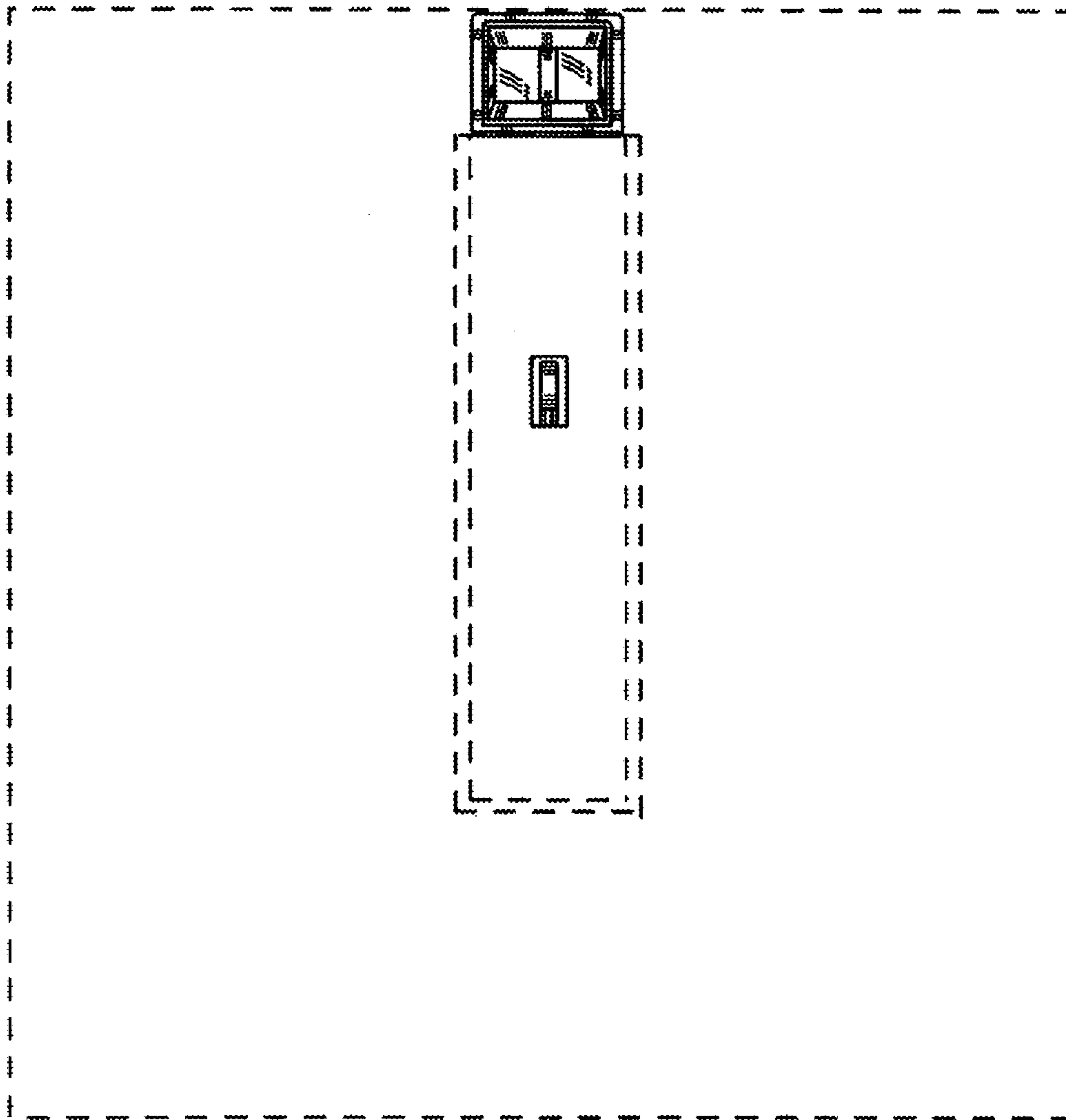


FIG. 11