

US00D542456S

(12) **United States Design Patent**  
**Swanson**

(10) **Patent No.:** **US D542,456 S**

(45) **Date of Patent:** **\*\* May 8, 2007**

(54) **CEILING MOUNTED SWING ARM LAMP**

(75) Inventor: **Dennis K. Swanson**, Chatsworth, CA  
(US)

(73) Assignee: **Lamps Plus, Inc.**, Chatsworth, CA  
(US)

(\*\*) Term: **14 Years**

(21) Appl. No.: **29/220,845**

(22) Filed: **Jan. 6, 2005**

(51) **LOC (8) Cl.** ..... **26-05**

(52) **U.S. Cl.** ..... **D26/65; D26/82; D26/83**

(58) **Field of Classification Search** ..... D26/63–66,  
D26/80–92; 362/33, 804, 404, 96, 253, 275,  
362/431, 432, 147

See application file for complete search history.

(56) **References Cited**

**U.S. PATENT DOCUMENTS**

D36,593 S	*	10/1903	Willard	.....	D26/83
3,240,925 A	*	3/1966	Paschke et al.	.....	362/404
D261,180 S	*	10/1981	Lagin	.....	D26/66
4,726,552 A	*	2/1988	Warshawsky	.....	362/431
D329,918 S	*	9/1992	Hsia	.....	D26/65
D341,899 S	*	11/1993	Rhinn	.....	D26/65
D371,449 S	*	7/1996	Huang	.....	D26/65
D374,496 S	*	10/1996	Small et al.	.....	D26/63
D426,336 S	*	6/2000	Swanson	.....	D26/65

**OTHER PUBLICATIONS**

“LEDING” lighting track on p. 309 of the IKEA 2005 catalog.\*

\* cited by examiner

*Primary Examiner*—Clare E Heflin

(74) *Attorney, Agent, or Firm*—Billy A. Robbins; Fulbright & Jaworski, LLP

(57) **CLAIM**

The ornamental design for ceiling mounted swing arm lamp, as shown and described.

**DESCRIPTION**

FIG. 1 is a prospective view of a ceiling mounted swing arm lamp of the present invention;

FIG. 2 is a front elevational view thereof;

FIG. 3 is a rear elevational view thereof;

FIG. 4 is a top plan view thereof;

FIG. 5 is a bottom view thereof;

FIG. 6 is a left side view thereof;

FIG. 7 is a right side view thereof;

FIG. 8 is a prospective view of an alternative embodiment of the ceiling mounted swing arm lamp;

FIG. 9 is a front elevational view of the lamp shown in FIG. 8;

FIG. 10 is a rear elevational view thereof;

FIG. 11 is a top plan view thereof;

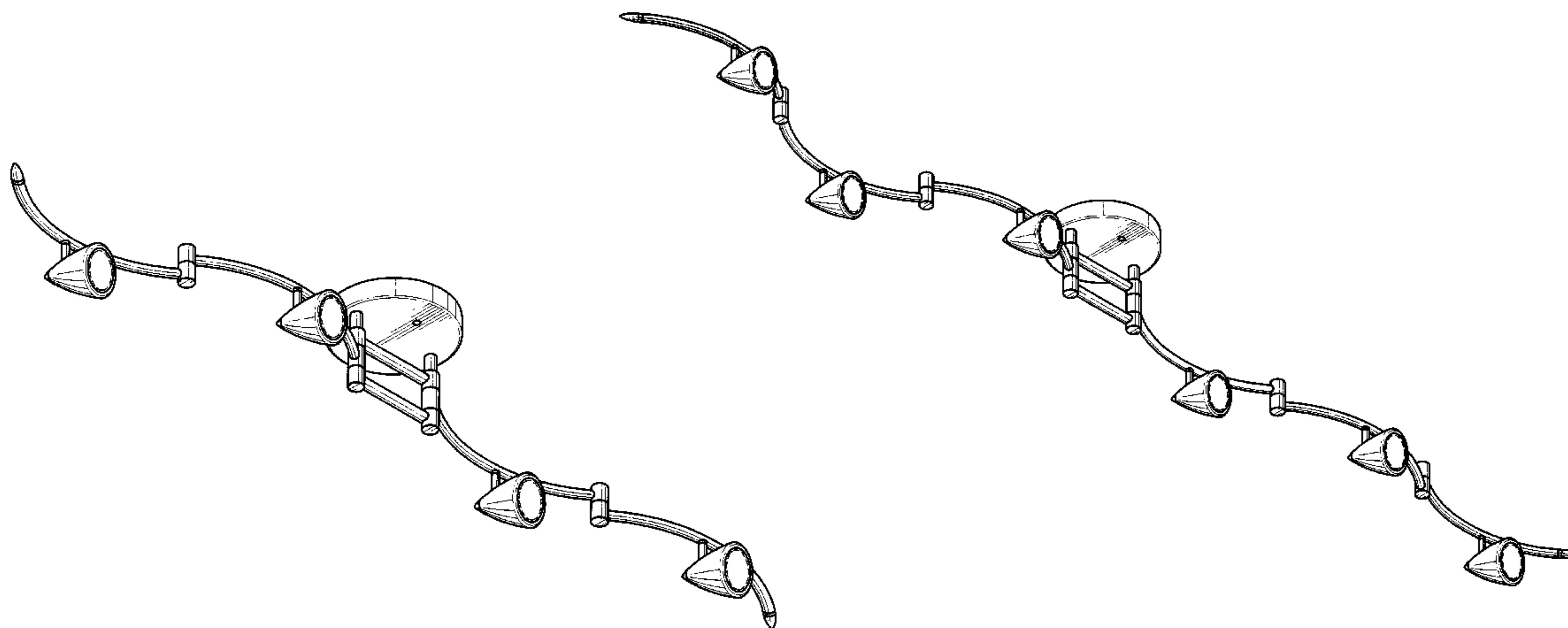
FIG. 12 is a bottom view thereof;

FIG. 13 is a left side view thereof; and,

FIG. 14 is a right side view thereof.

The broken lines shown on the drawings are for illustrative purposes only and form no part of the claimed design.

**1 Claim, 6 Drawing Sheets**



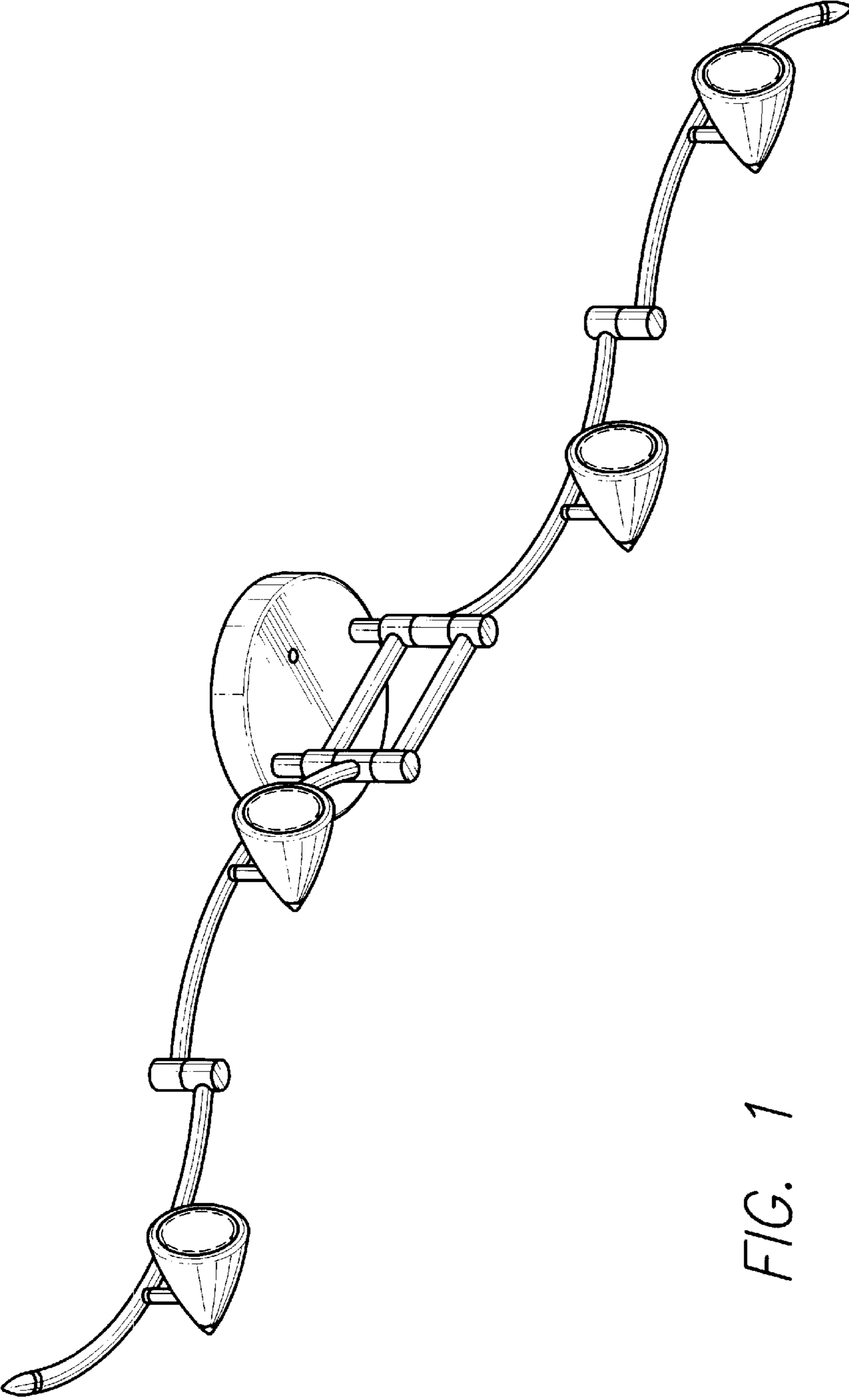


FIG. 1

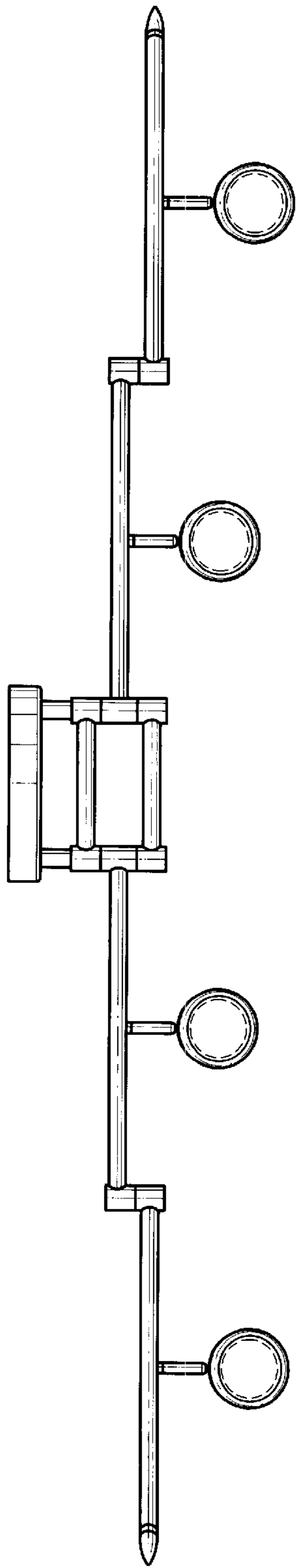


FIG. 2

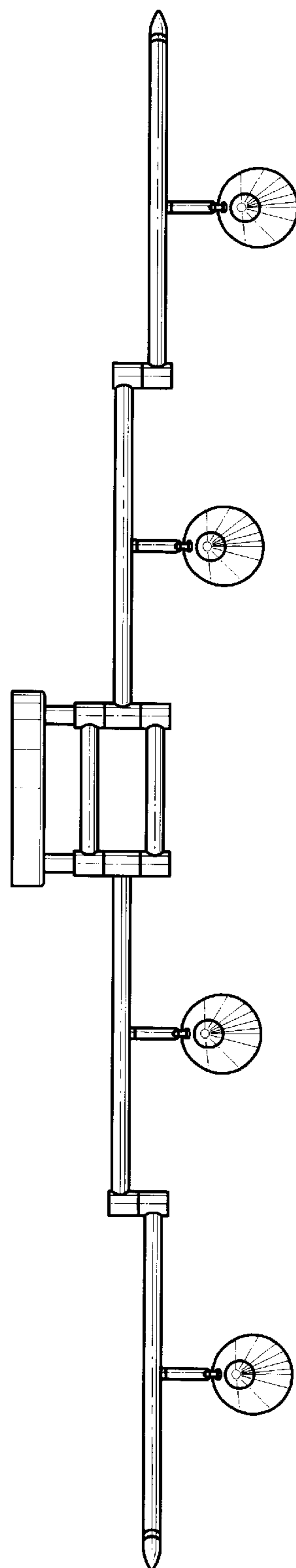


FIG. 3

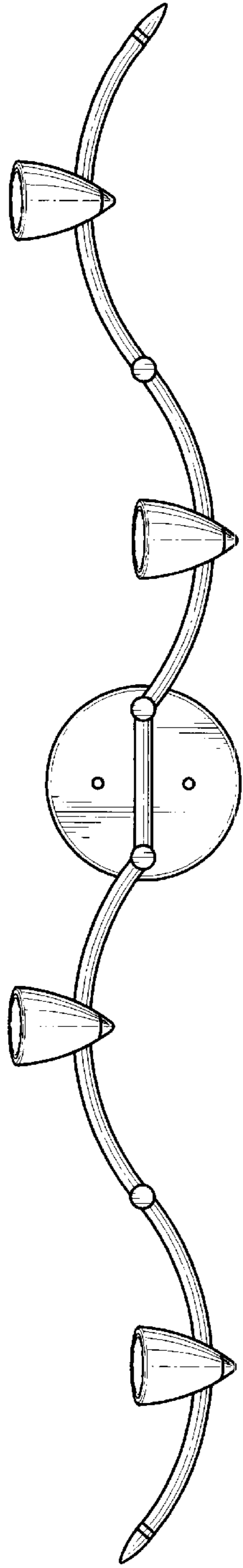


FIG. 4

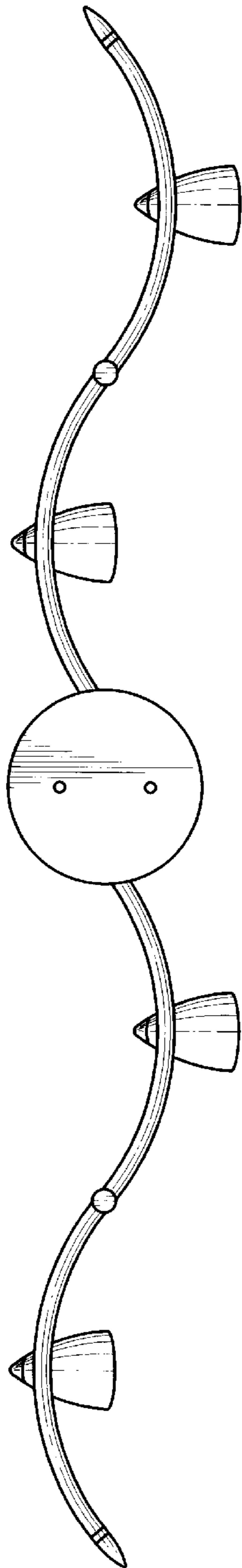


FIG. 5

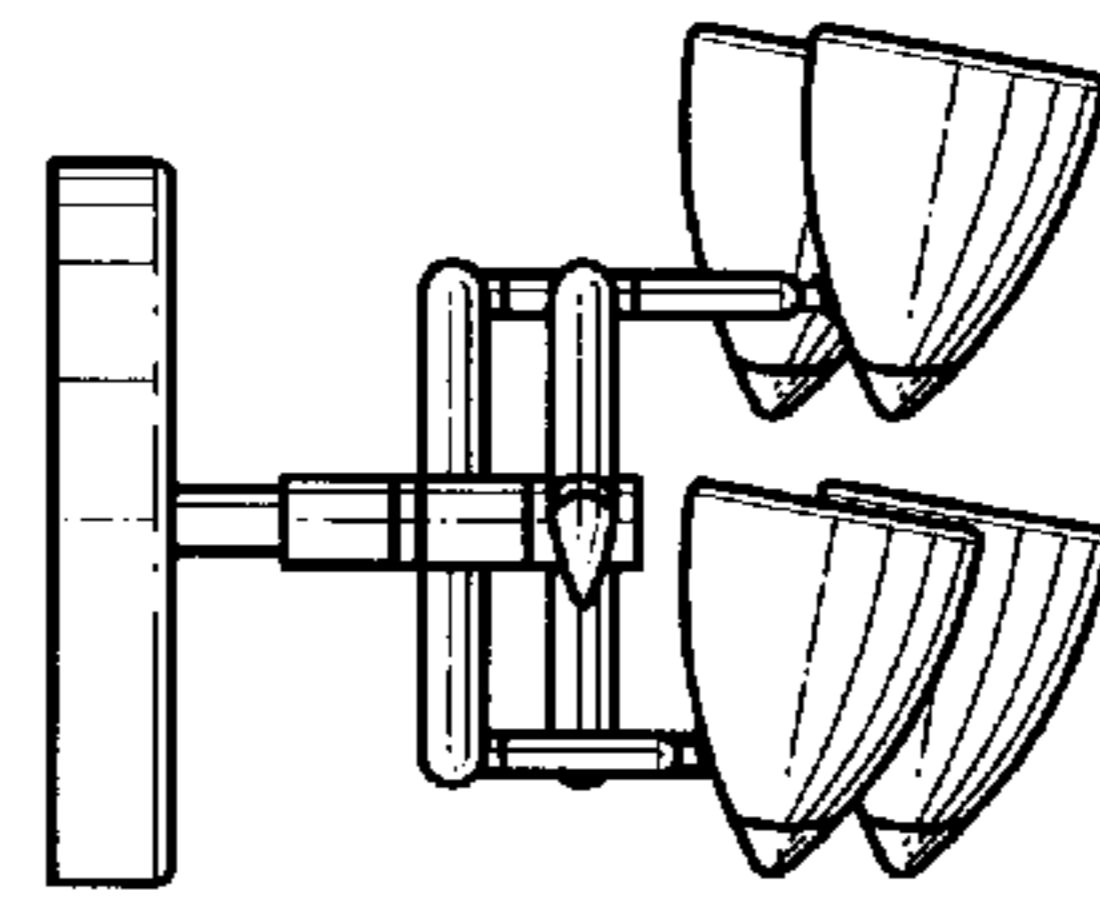


FIG. 6

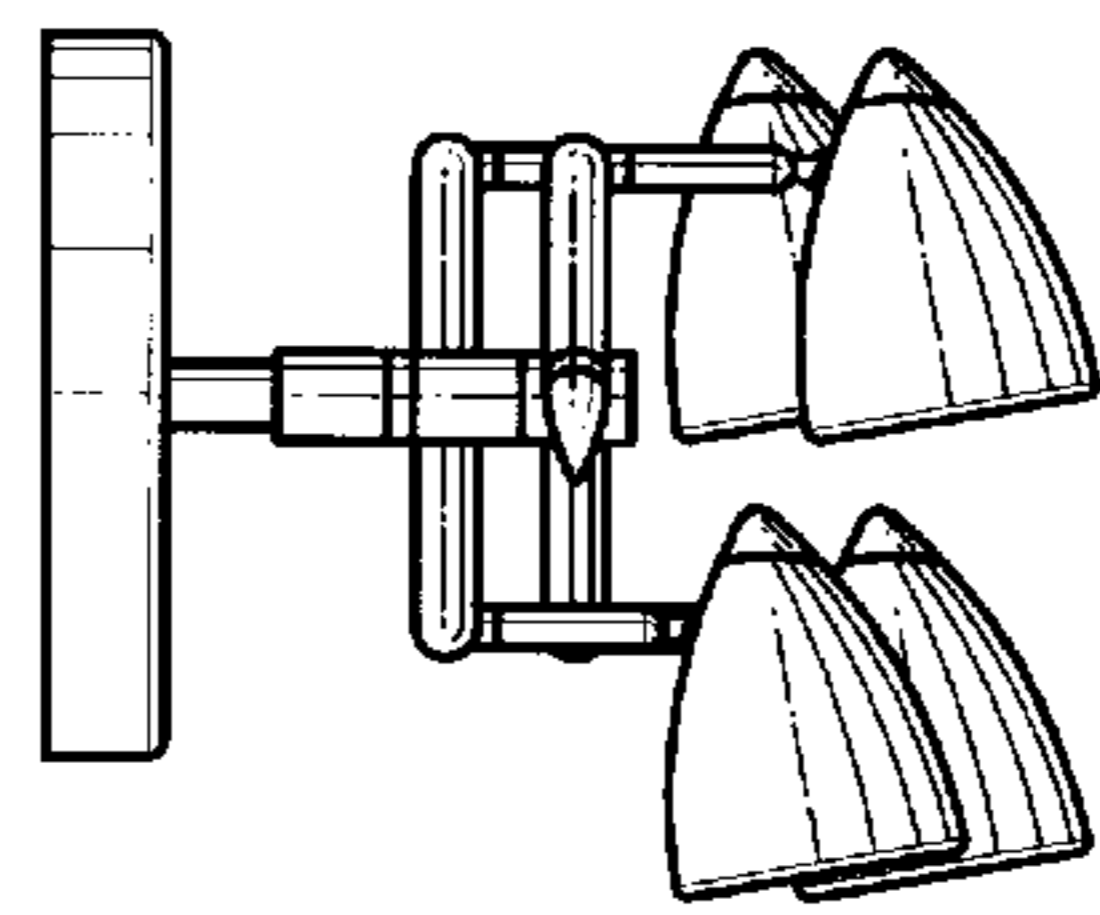


FIG. 7

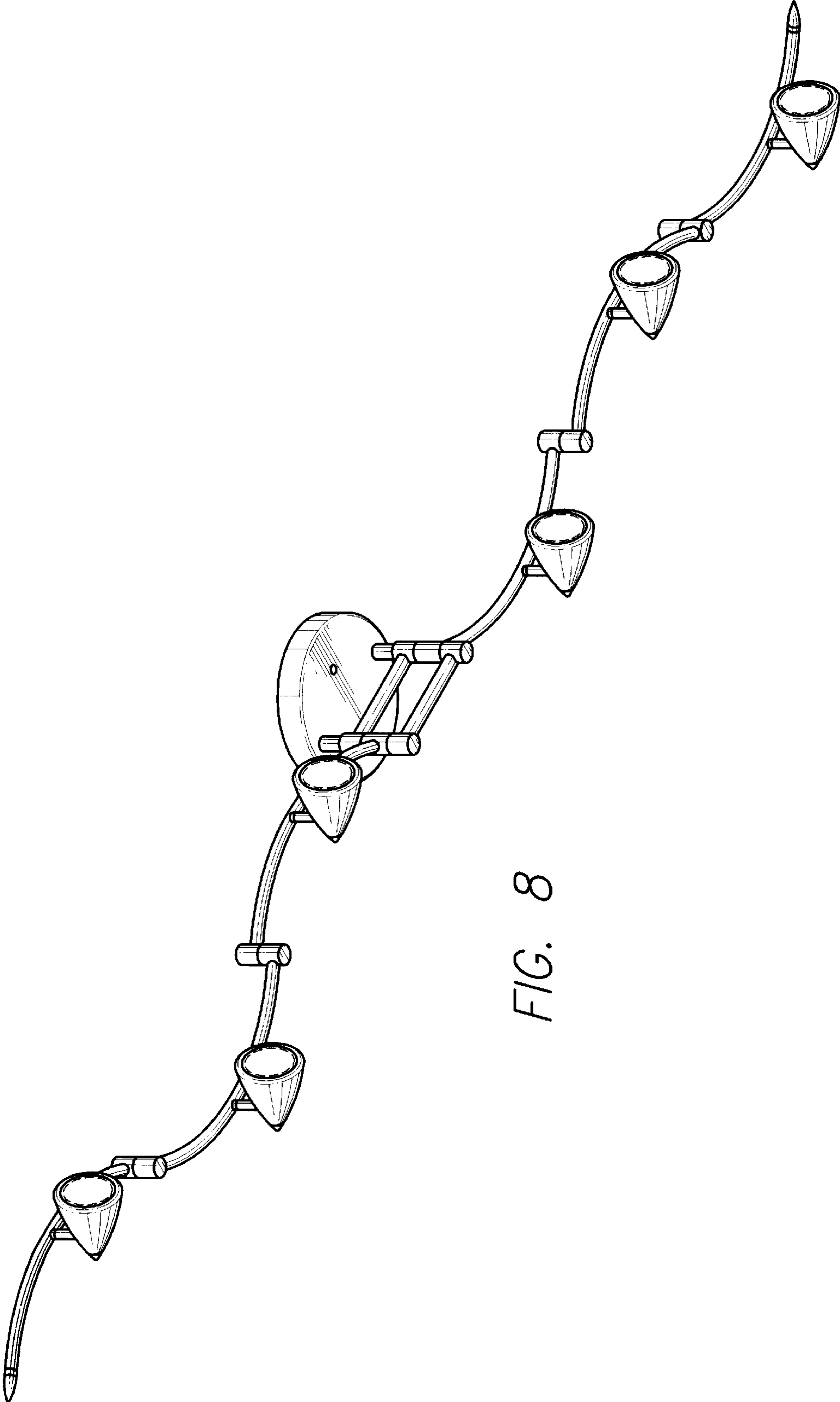


FIG. 8

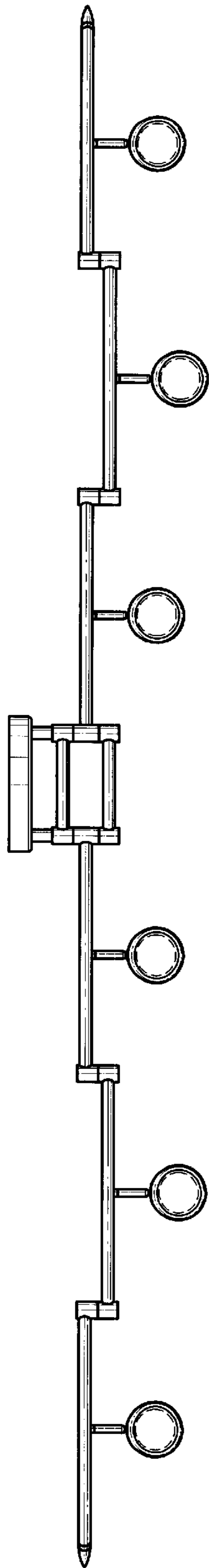


FIG. 9

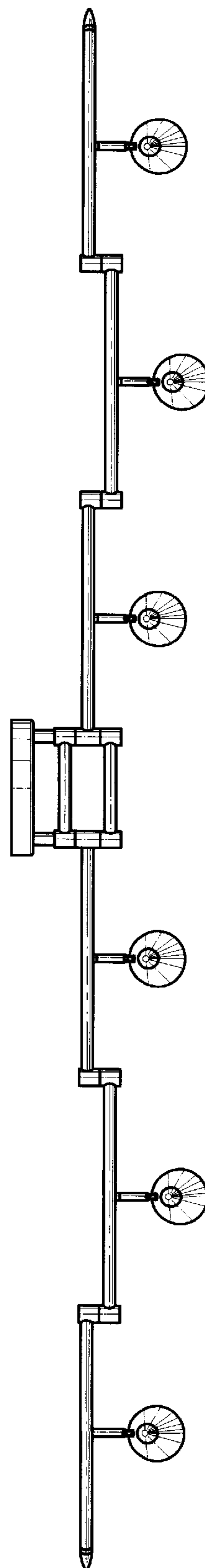


FIG. 10

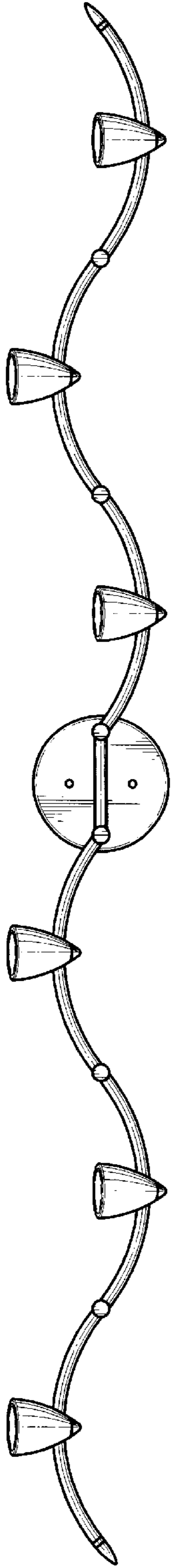


FIG. 11

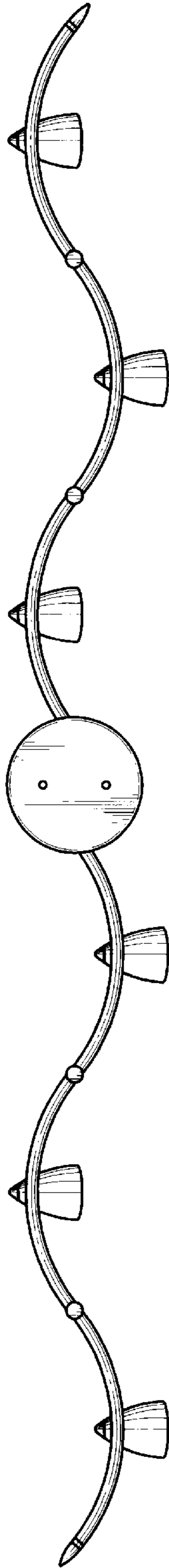


FIG. 12

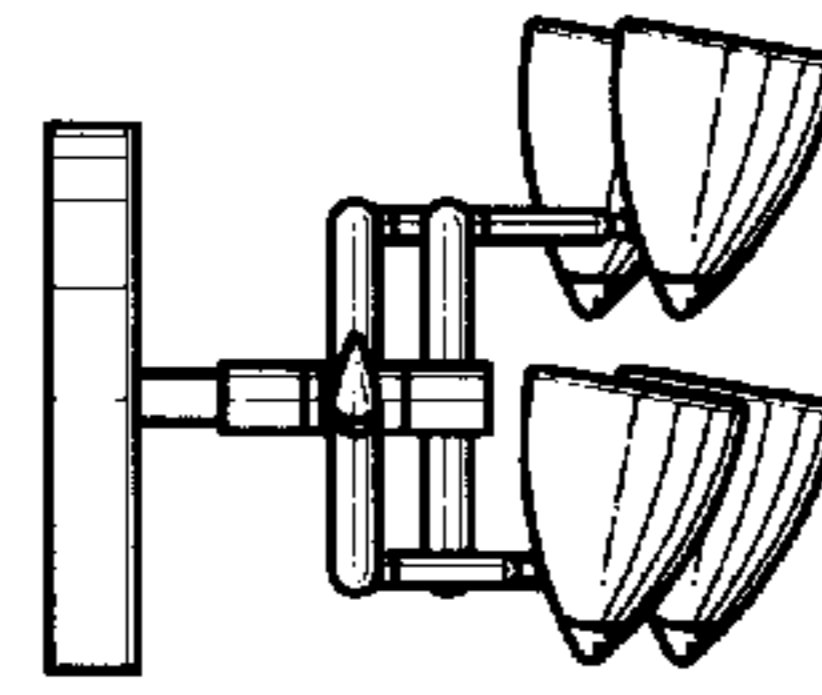


FIG. 13

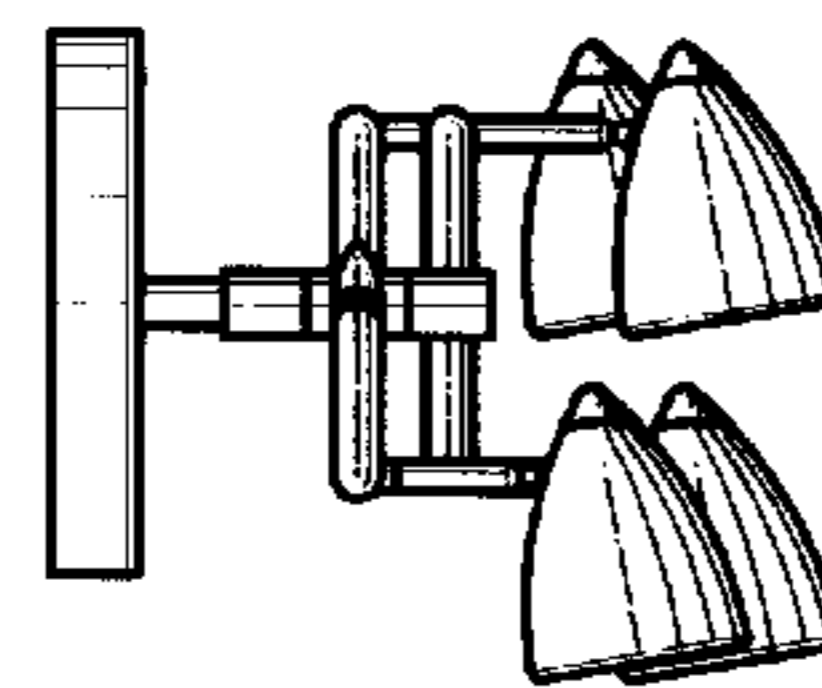


FIG. 14