



US00D542455S

(12) **United States Design Patent**  
**Newcomb**

(10) **Patent No.:** **US D542,455 S**

(45) **Date of Patent:** **\*\* May 8, 2007**

(54) **BOOKLIGHT**

D526,433 S \* 8/2006 Li ..... D26/60

(75) **Inventor:** **Fernando Jose Newcomb**, Causeway Bay (HK)

\* cited by examiner

*Primary Examiner*—Clare E Heflin

(73) **Assignee:** **Oneworld Global Manufacturing Solutions Limited**, Kowloon (HK)

(74) *Attorney, Agent, or Firm*—Buchanan Ingersoll & Rooney PC

(\*\*) **Term:** **14 Years**

(57) **CLAIM**

The ornamental design for a “booklight”, as shown and described.

(21) **Appl. No.:** **29/265,190**

(22) **Filed:** **Aug. 28, 2006**

**DESCRIPTION**

(51) **LOC (8) Cl.** ..... **26-05**

(52) **U.S. Cl.** ..... **D26/60; D26/65**

(58) **Field of Classification Search** ..... D26/37, D26/43, 44, 60–63, 65; 362/98, 99, 109–114, 362/191, 197, 198, 287, 427, 396  
See application file for complete search history.

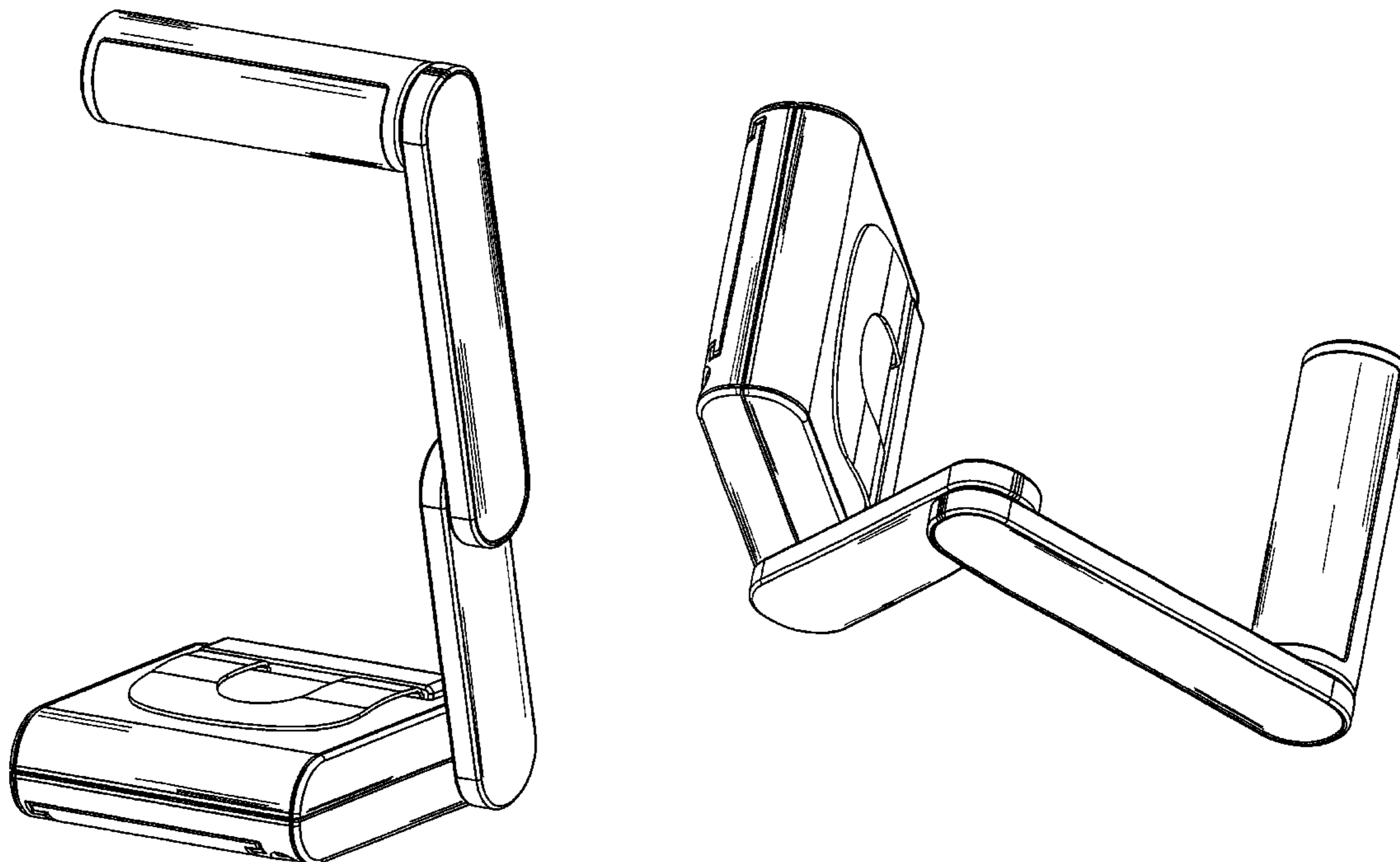
FIG. 1 is a front, right side perspective view of a booklight showing my new design, in an open configuration; FIG. 2 is a right side view thereof, in a closed configuration; FIG. 3 is a left side view thereof; FIG. 4 is a front view thereof; FIG. 5 is a rear view thereof; FIG. 6 is a top view thereof; FIG. 7 is a bottom view thereof; FIG. 8 is a bottom, left side perspective view thereof; FIG. 9 is a front, right side perspective view thereof; FIG. 10 is a top, right side perspective view thereof; and, FIG. 11 is a front, right side perspective view in an alternative open configuration.

(56) **References Cited**

**U.S. PATENT DOCUMENTS**

- D292,236 S \* 10/1987 Caldwell ..... D26/25
- 4,977,489 A \* 12/1990 Fung ..... 362/427
- D405,203 S \* 2/1999 Tobianski ..... D26/60
- 6,022,119 A \* 2/2000 Booty, Jr. .... 362/98
- D435,677 S \* 12/2000 Hollinger ..... D26/60

**1 Claim, 6 Drawing Sheets**



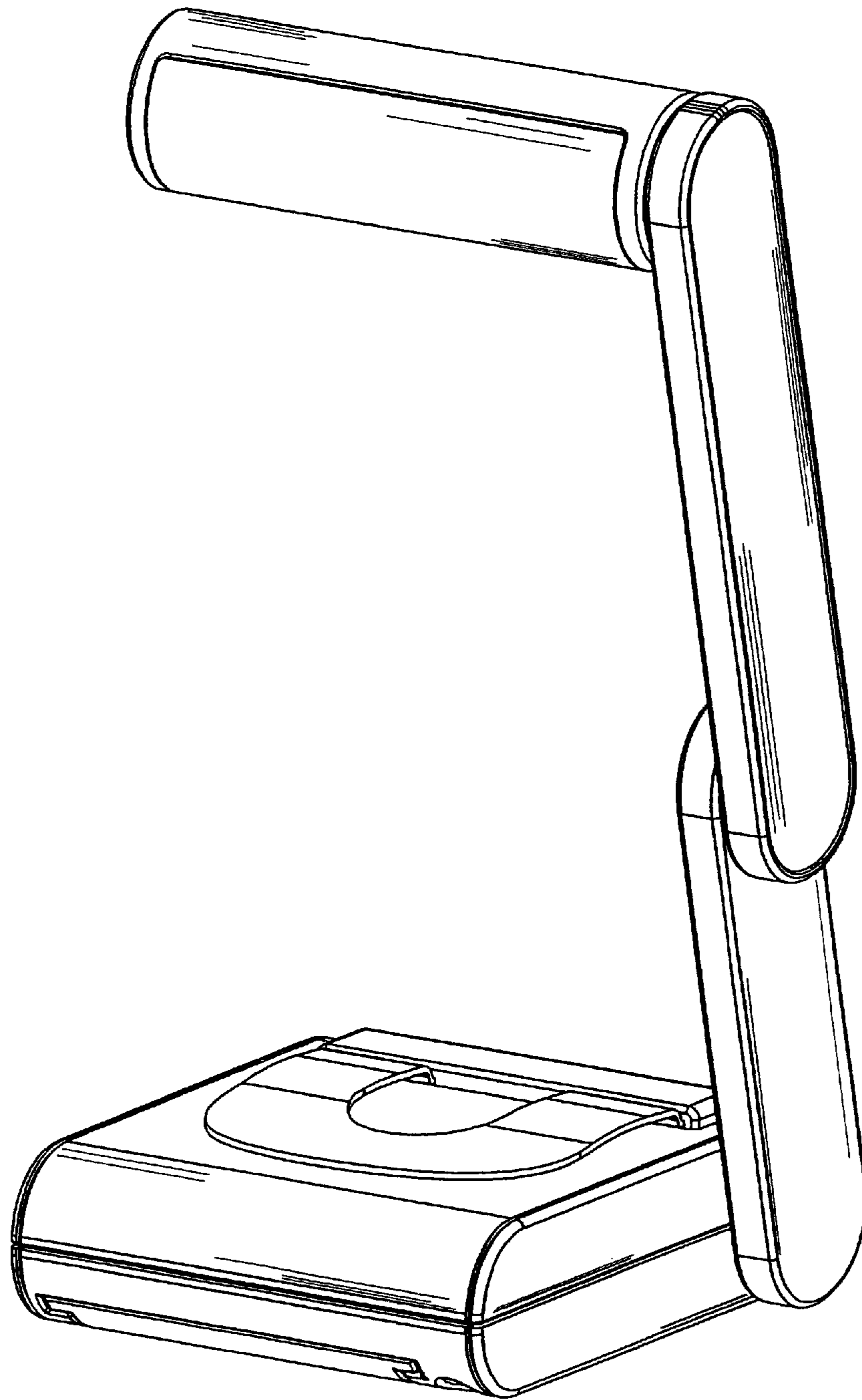
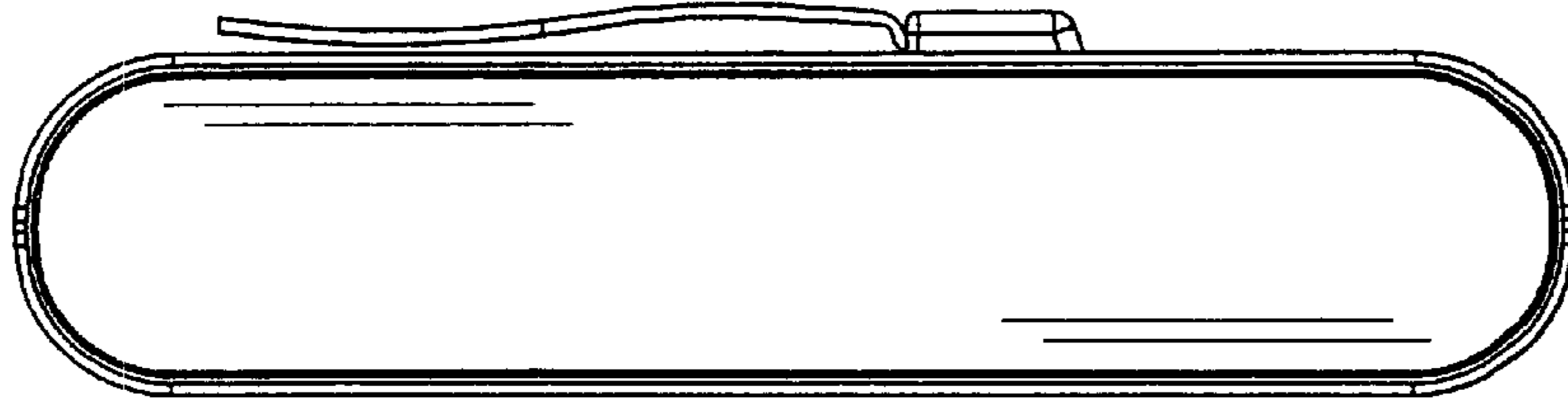
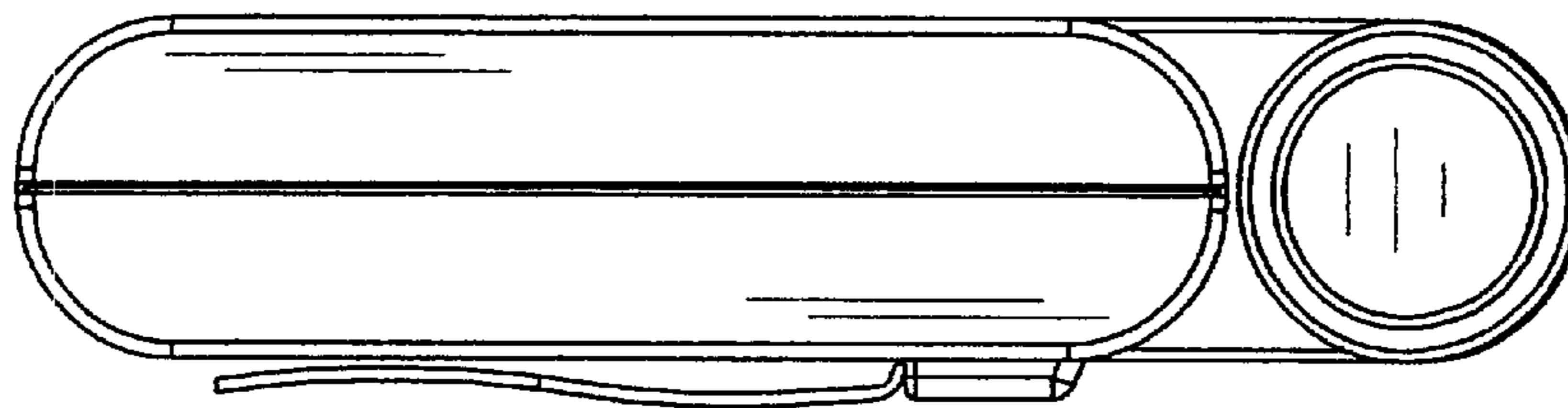


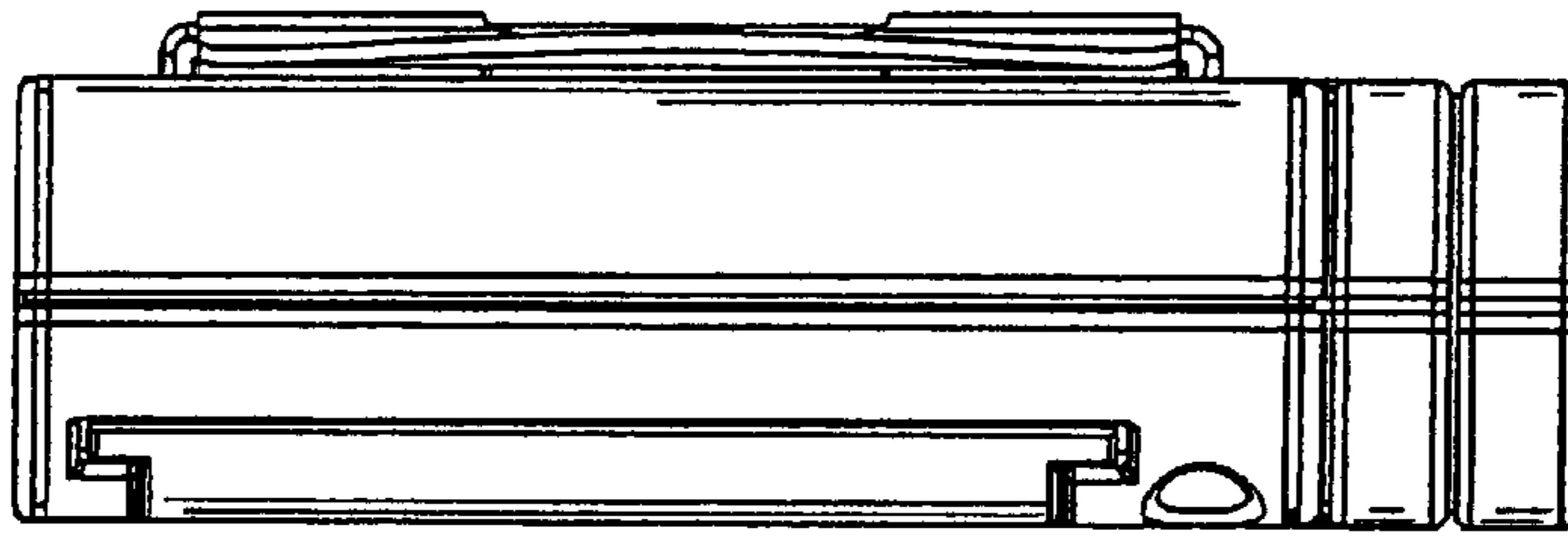
FIGURE 1



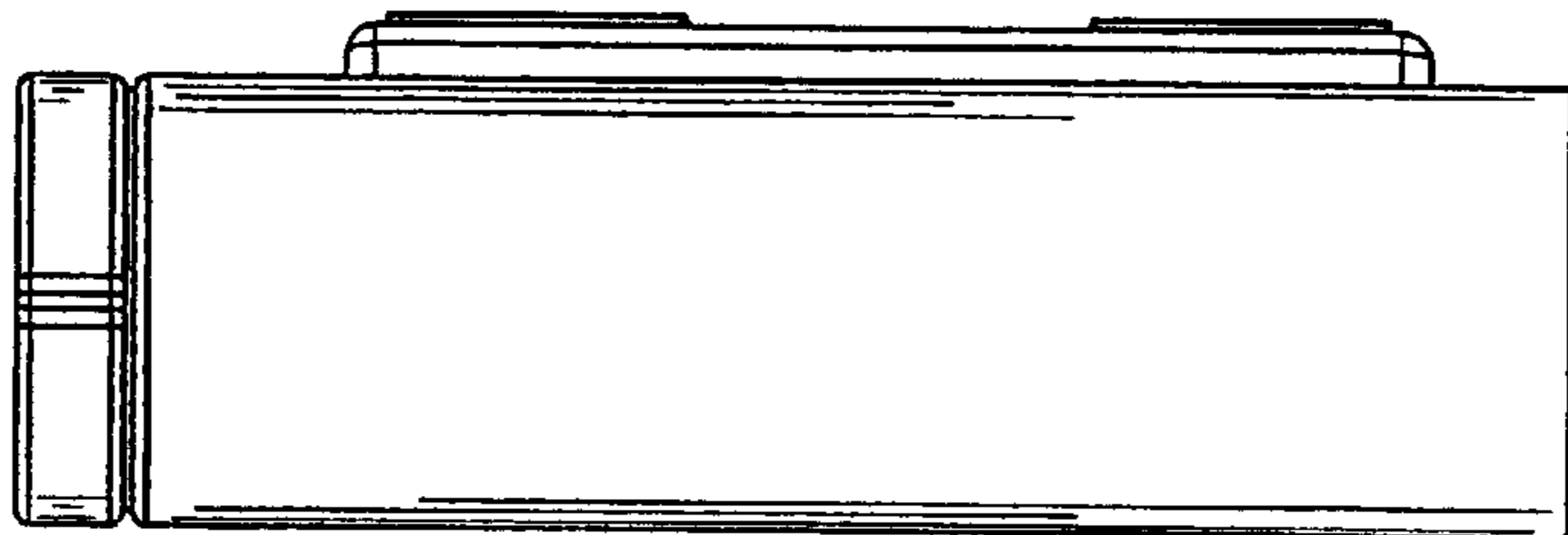
**FIGURE 2**



**FIGURE 3**



**FIGURE 4**



**FIGURE 5**

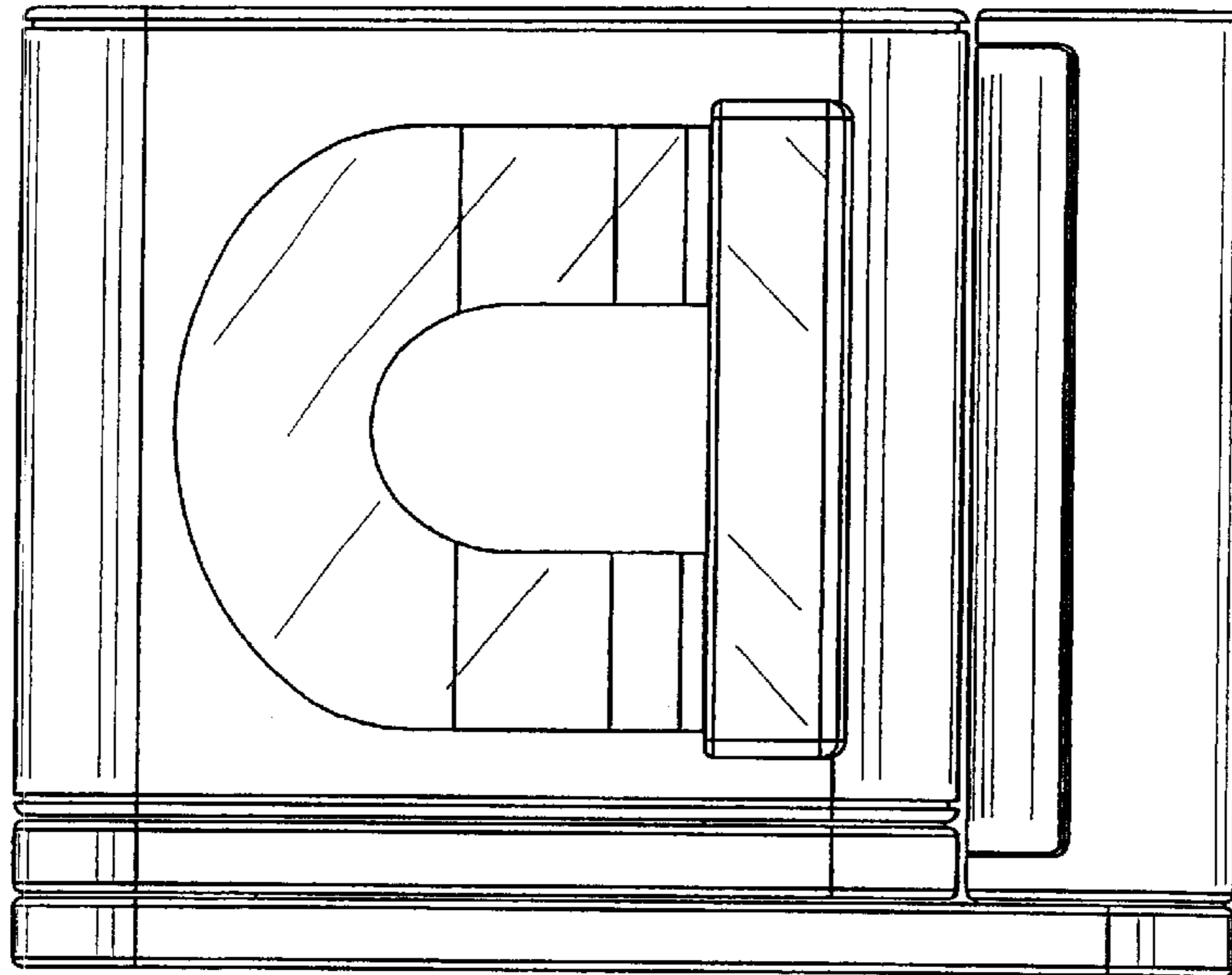


FIGURE 6

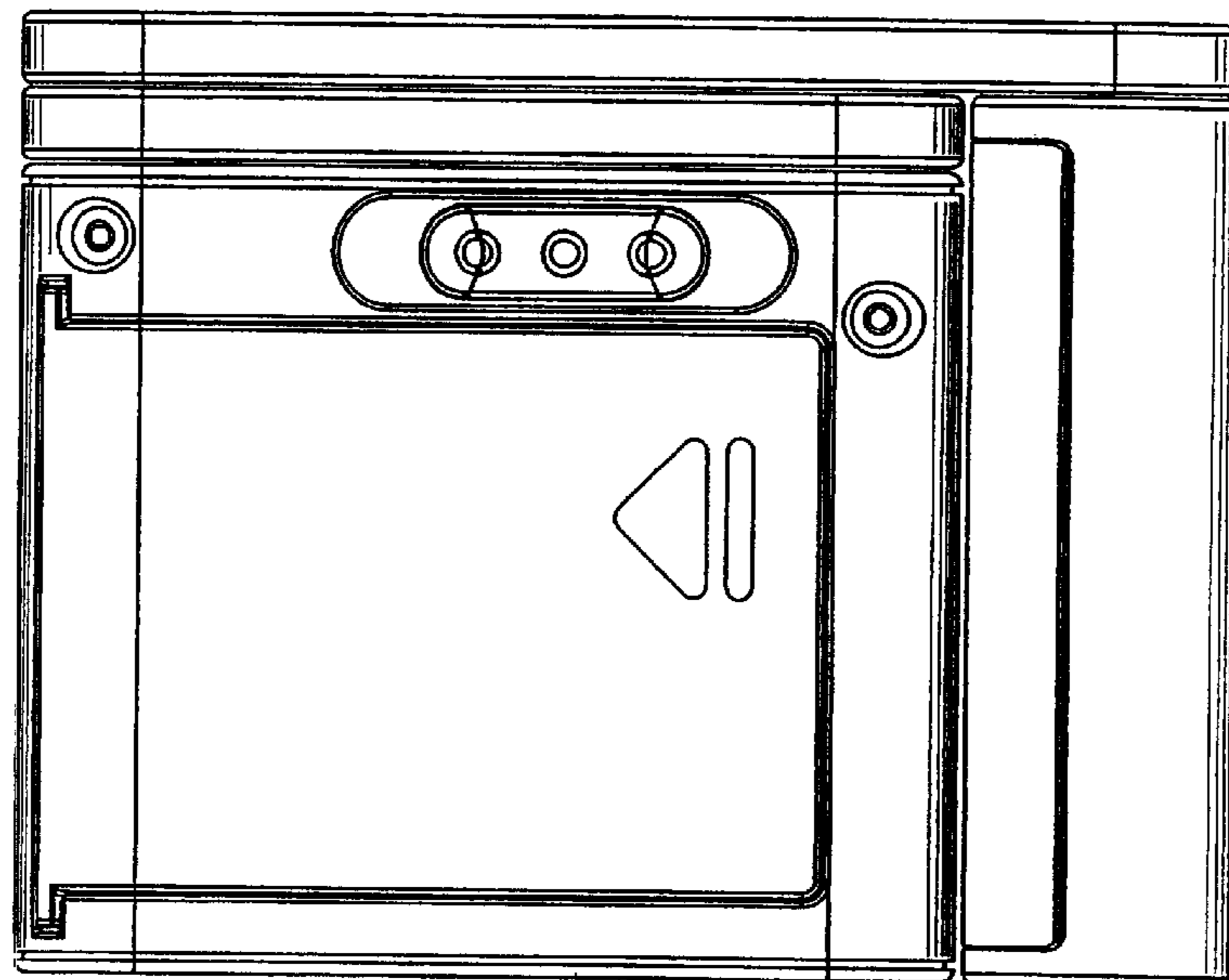


FIGURE 7



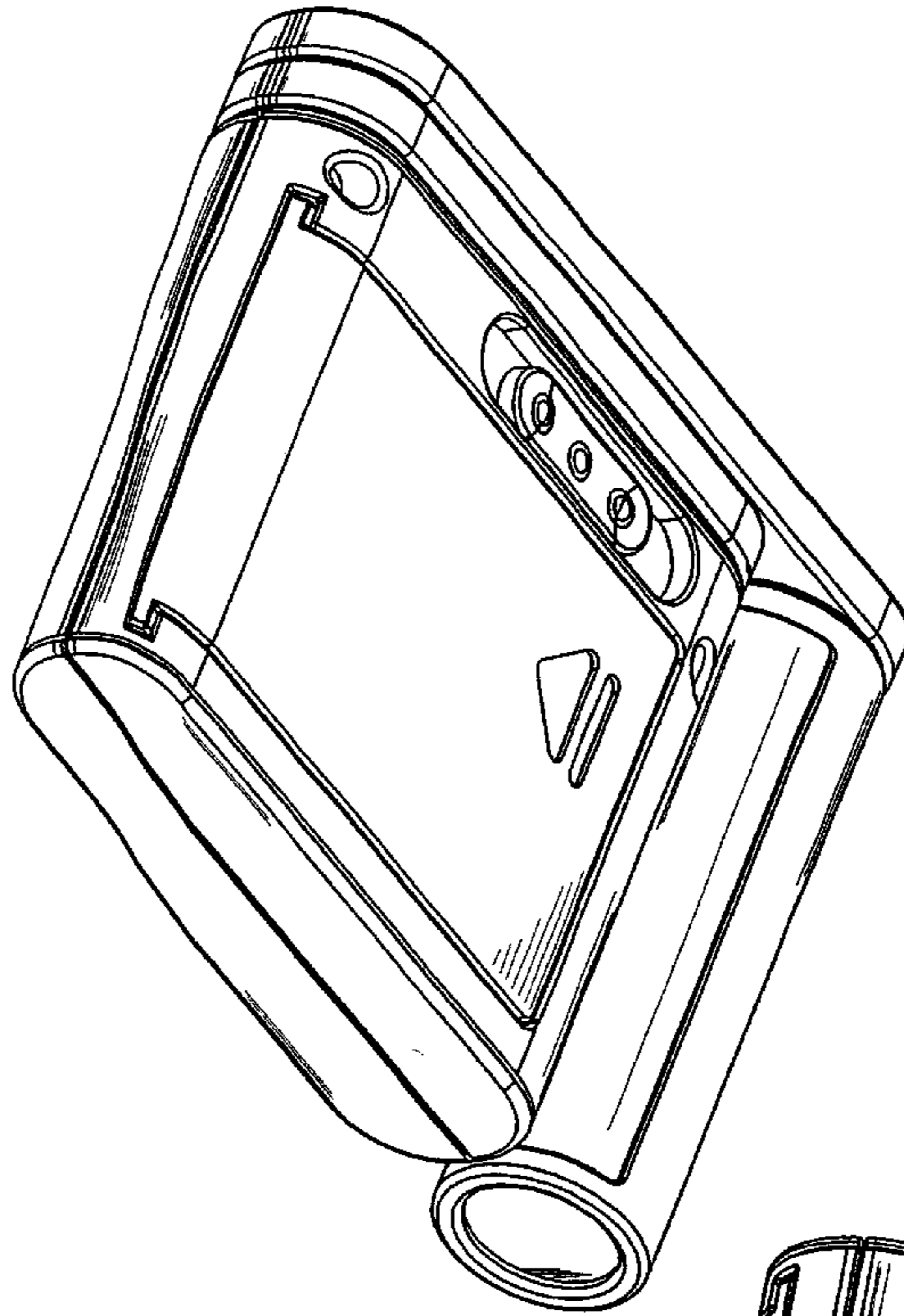


FIGURE 8

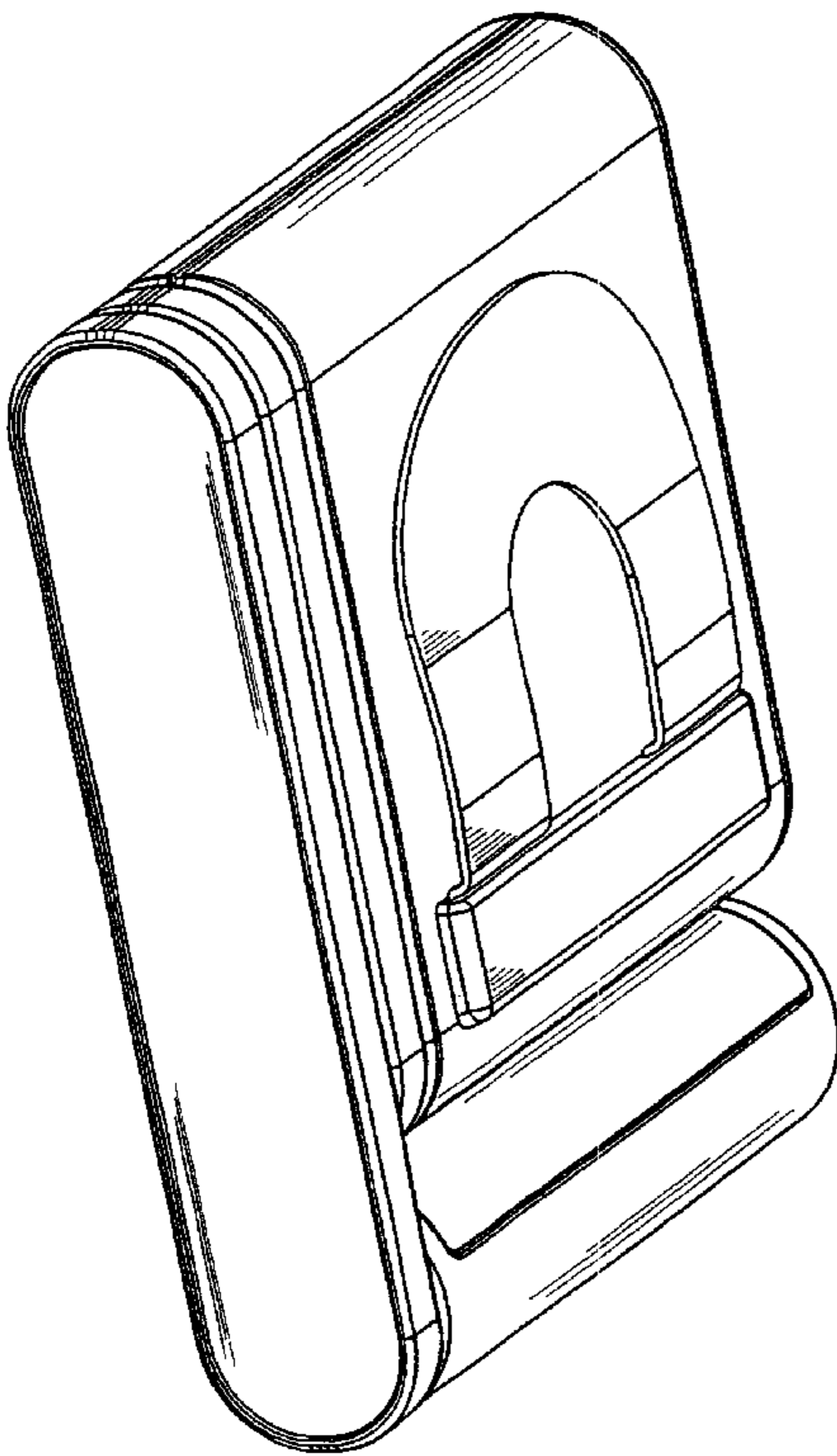


FIGURE 10

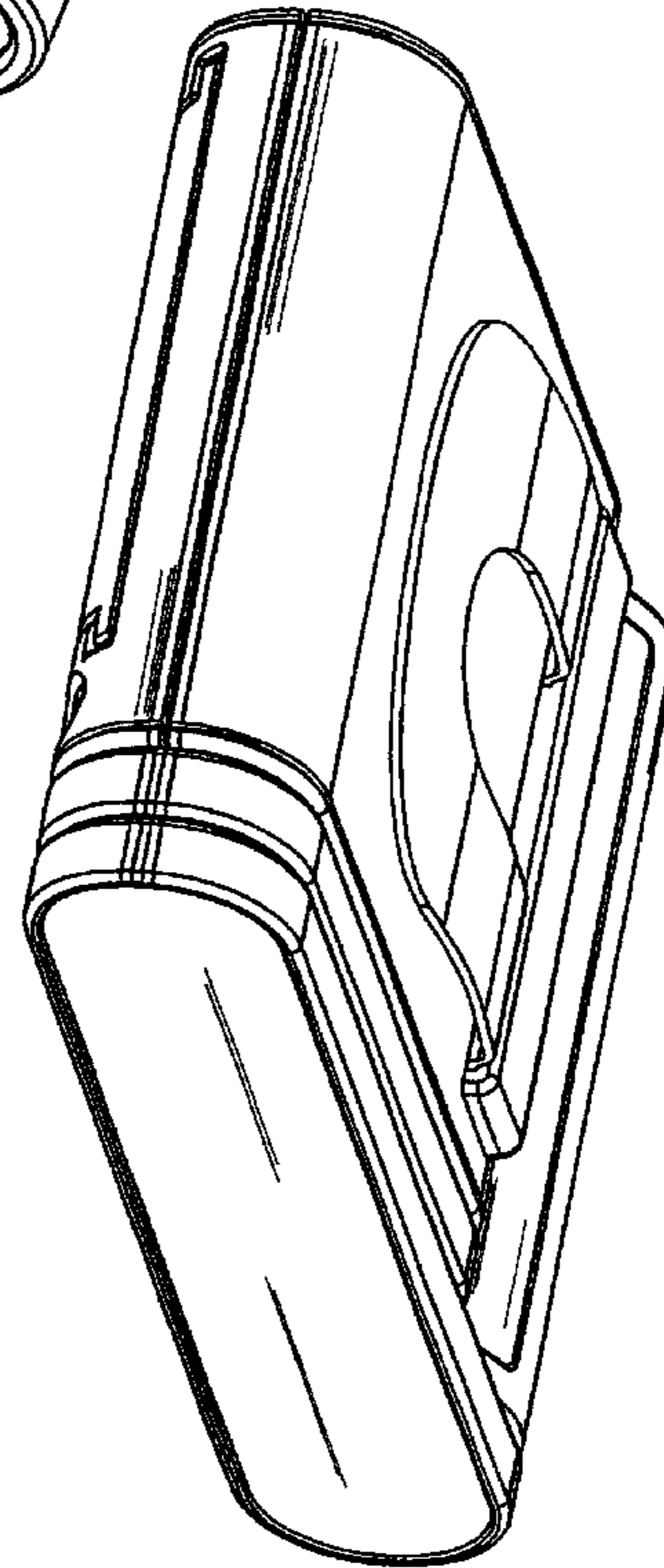


FIGURE 9

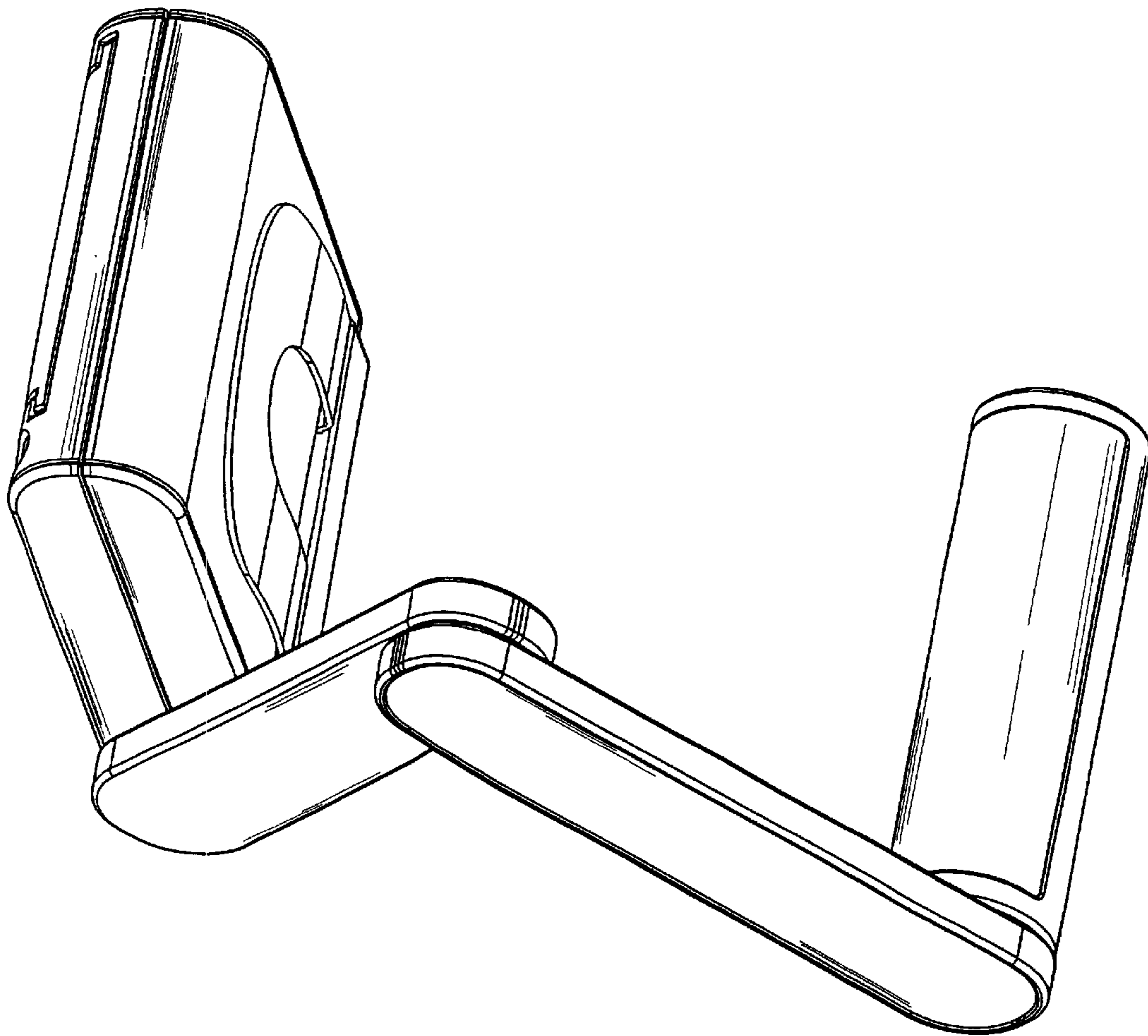


FIGURE 11