

US00D542454S

(12) **United States Design Patent**
Chan

(10) **Patent No.:** **US D542,454 S**

(45) **Date of Patent:** **** May 8, 2007**

(54) **PATIO UMBRELLA LIGHT**

(76) Inventor: **Eddie Man-Ying Chan**, Unit 901,
Peninsula Square, No. 18 Sung On
Street, Hunghom, Kowloon, Hong Kong
(CN)

(**) Term: **14 Years**

(21) Appl. No.: **29/260,803**

(22) Filed: **Jun. 1, 2006**

(30) **Foreign Application Priority Data**

Dec. 15, 2005 (CN) 200530169088

(51) **LOC (8) Cl.** **26-05**

(52) **U.S. Cl.** **D26/60; D26/67**

(58) **Field of Classification Search** D26/37,
D26/67, 71, 60-63, 65, 39, 51; 362/98, 99,
362/109-114, 191, 197, 198, 287, 427, 396,
362/102, 431

See application file for complete search history.

(56) **References Cited**

U.S. PATENT DOCUMENTS

D230,071 S * 1/1974 Anderson, Jr. D26/67
4,225,909 A * 9/1980 Scholz et al. 362/367
D361,144 S * 8/1995 Loiselet D26/44

6,682,204 B2 * 1/2004 Mullally et al. 362/249
7,063,433 B2 * 6/2006 Pape et al. 362/102
2005/0117326 A1 * 6/2005 Ma 362/102

* cited by examiner

Primary Examiner—Clare E Heflin

(74) *Attorney, Agent, or Firm*—Alix, Yale & Ristas, LLP

(57) **CLAIM**

The ornamental design for a patio umbrella light, as shown and described.

DESCRIPTION

FIG. 1 is a front perspective view of a patio umbrella light showing my new design;

FIG. 2 is a front perspective view with parts in alternative position thereof;

FIG. 3 is a front elevational view thereof;

FIG. 4 is a top plan view thereof; and

FIG. 5 is a rear elevational view thereof;

FIG. 6 is a bottom plan view thereof.

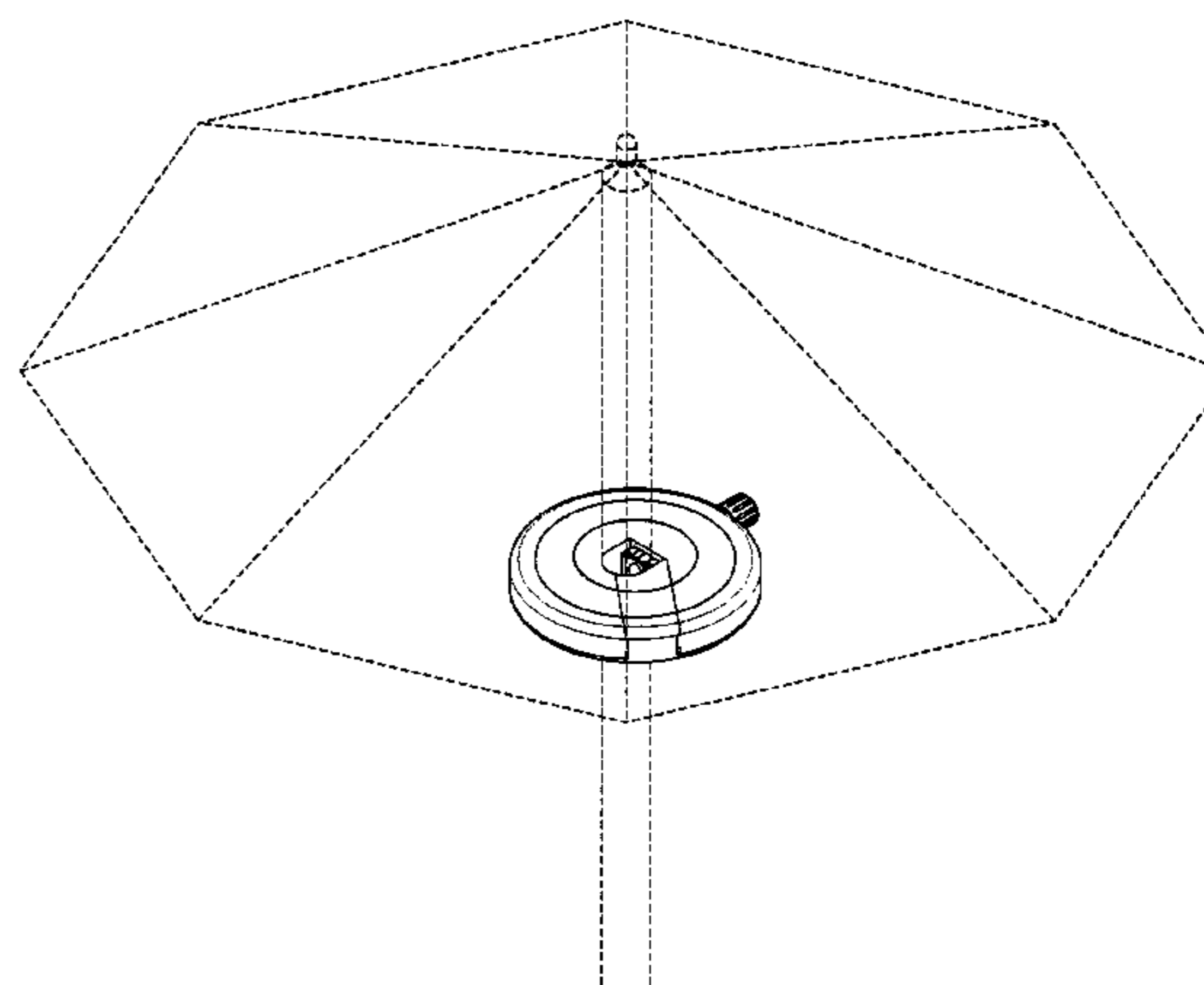
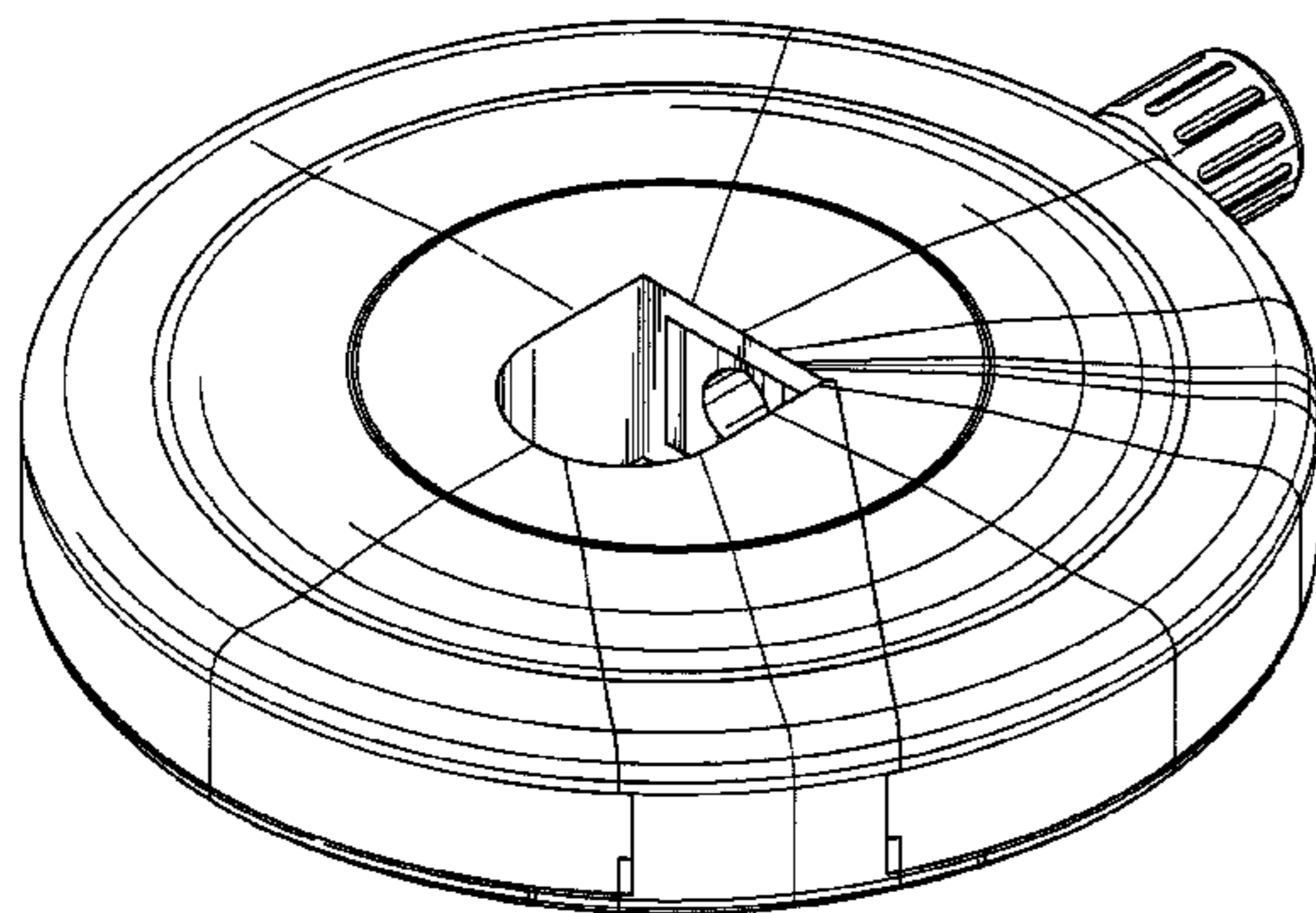
FIG. 7 is a left side elevational view thereof;

FIG. 8 is a right side elevational view thereof; and,

FIG. 9 is a front perspective view in working condition thereof.

The broken lines in the figure are for illustrative purposes only and form no part of the claimed design.

1 Claim, 6 Drawing Sheets



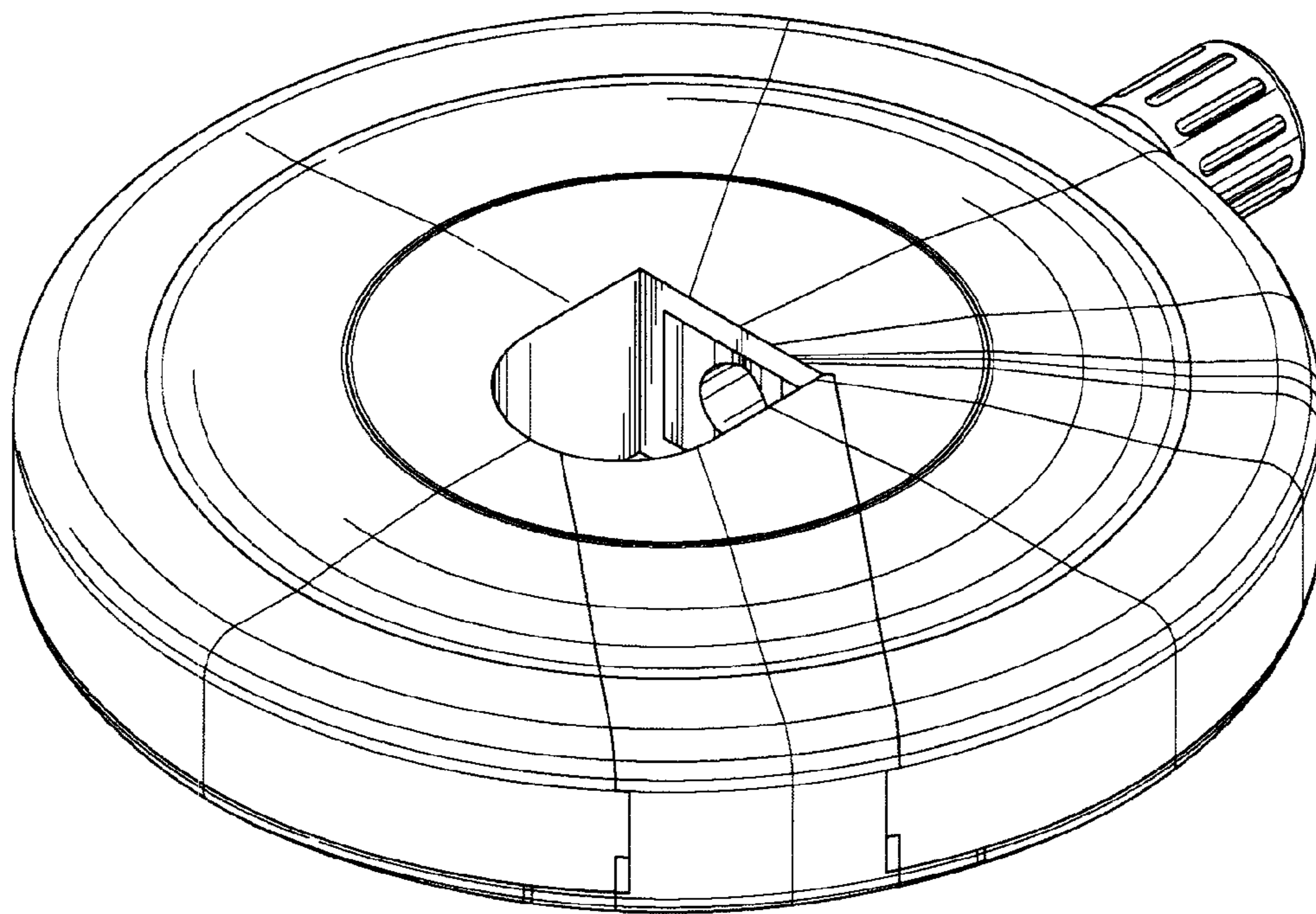


FIG. 1

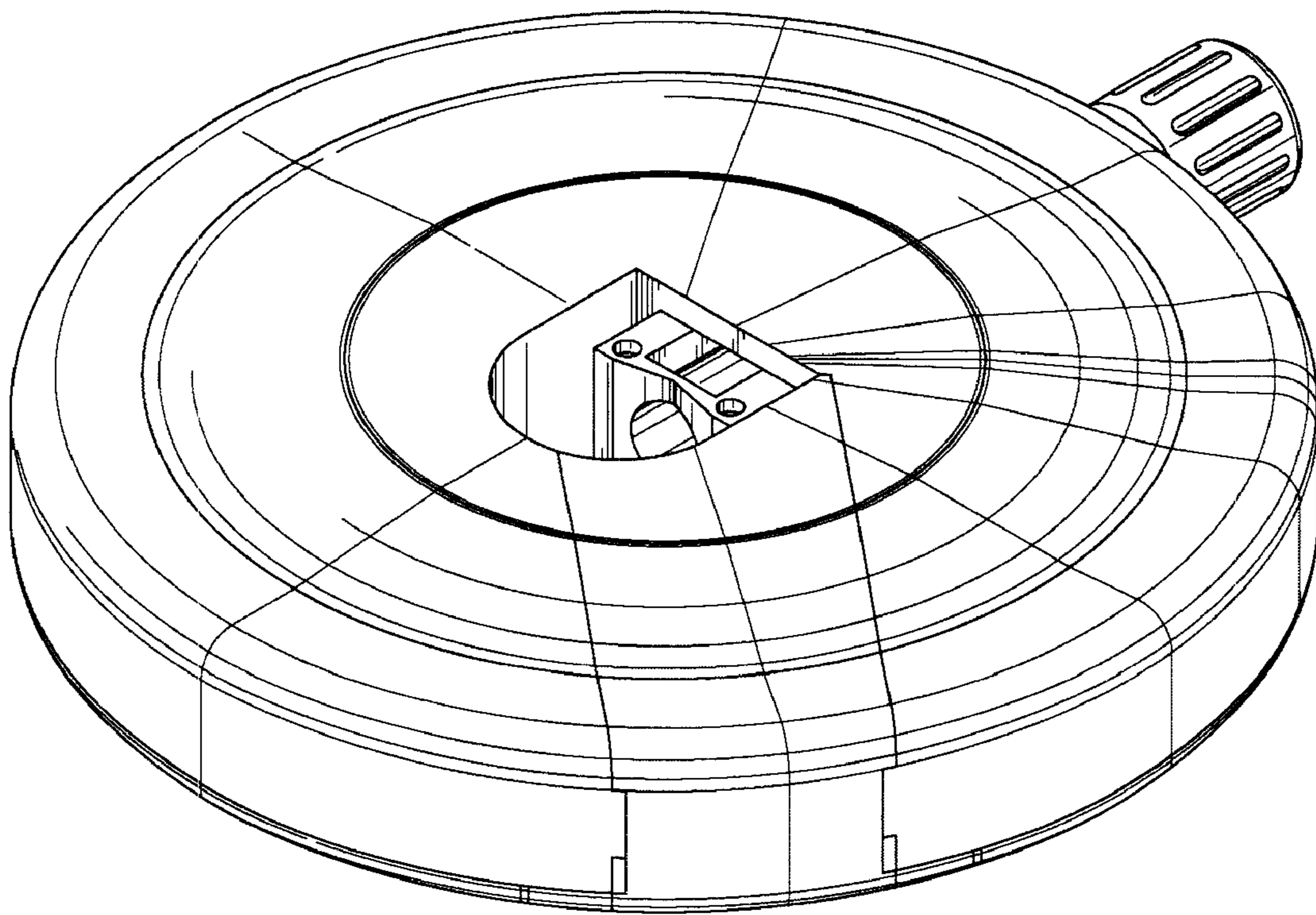


FIG. 2

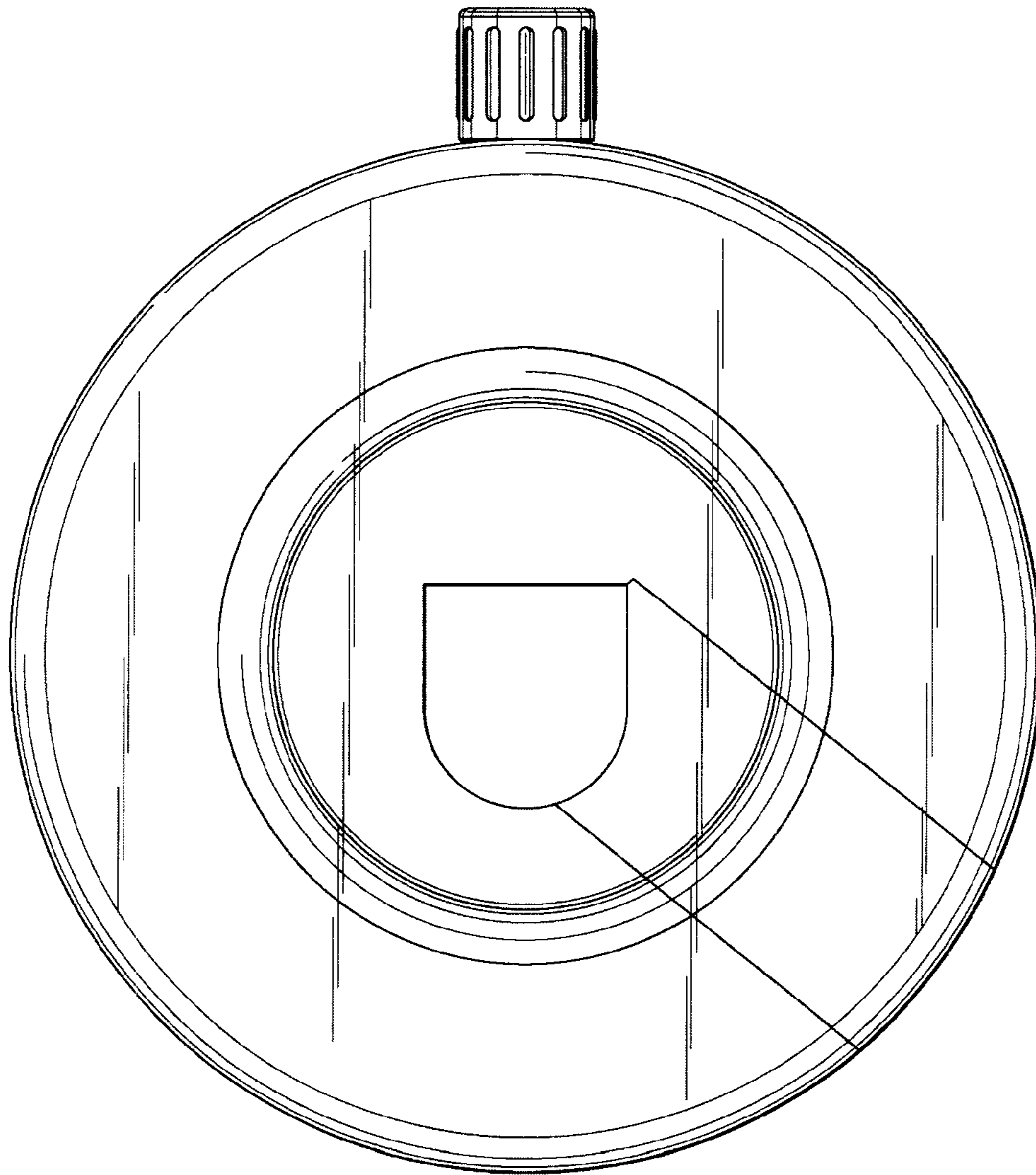


FIG. 4

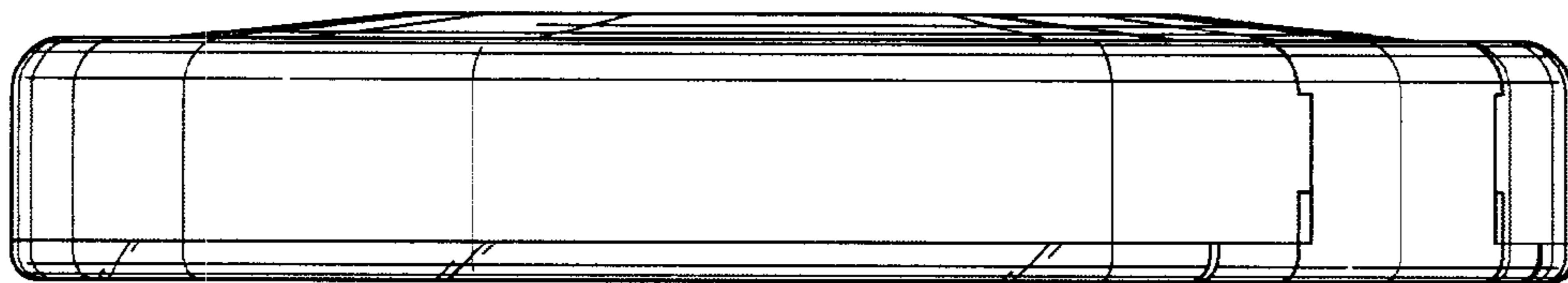


FIG. 3

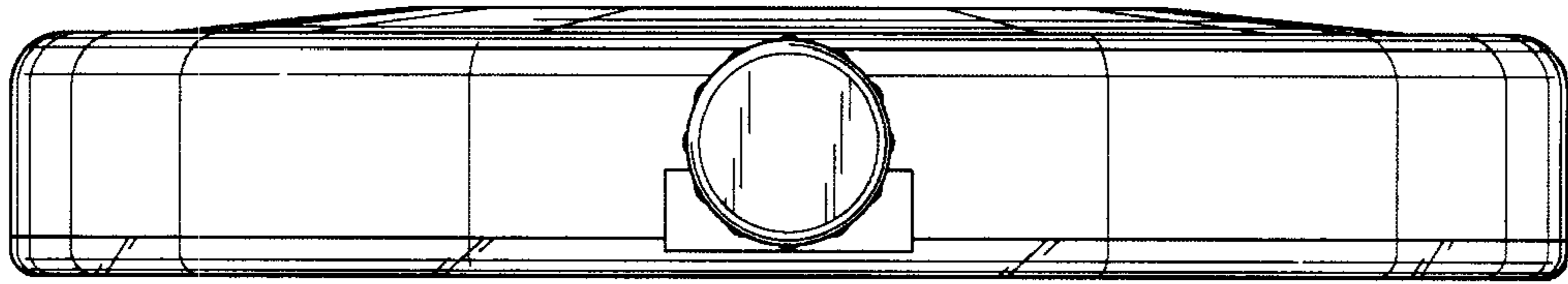


FIG. 5

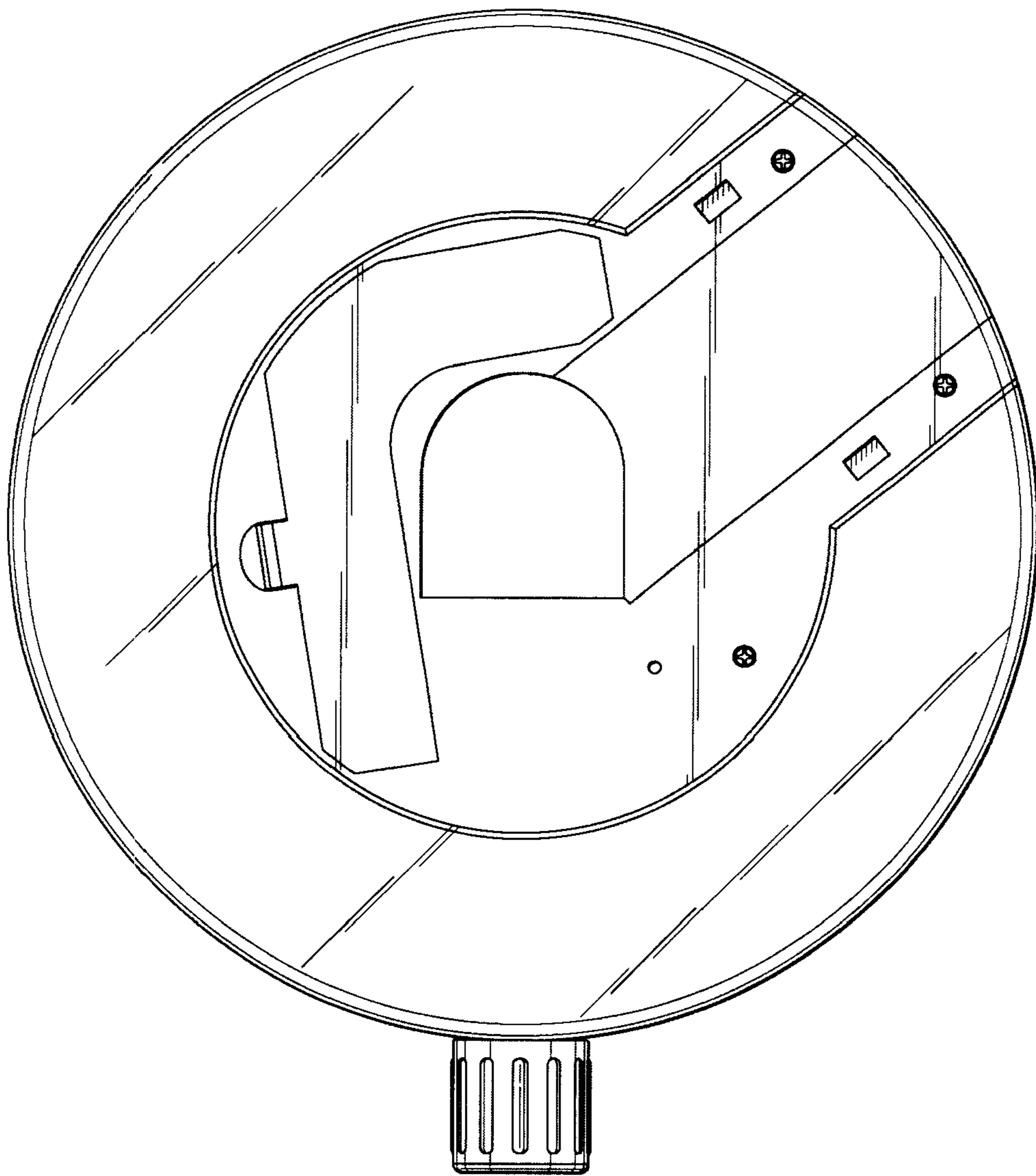


FIG. 6

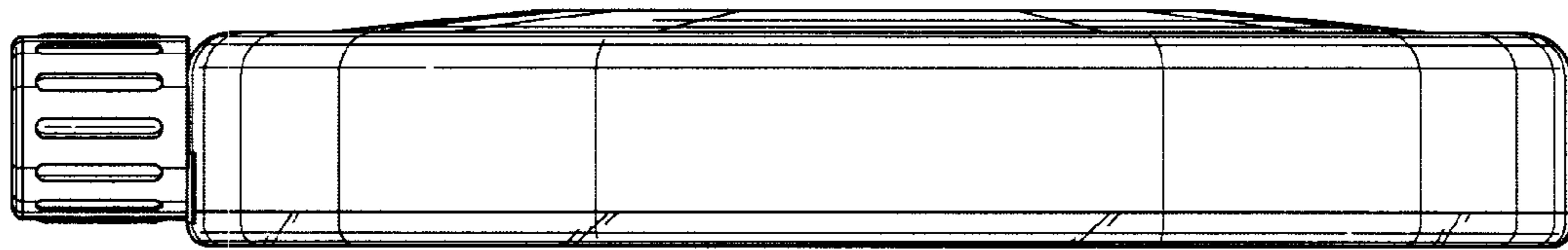


FIG. 7

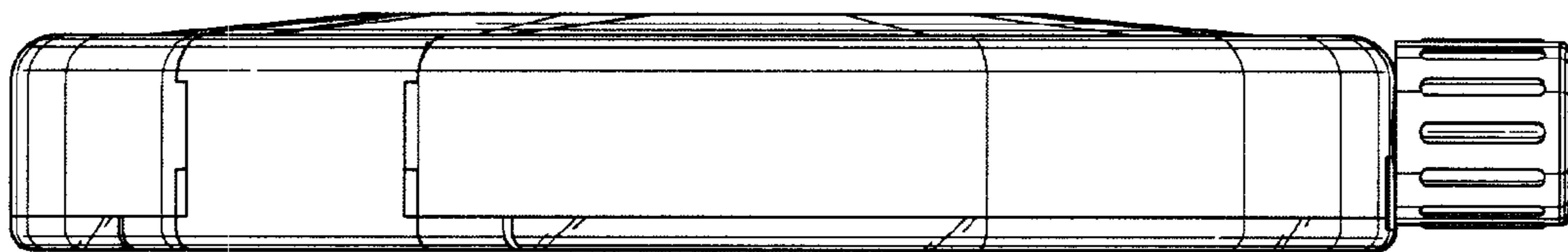


FIG. 8

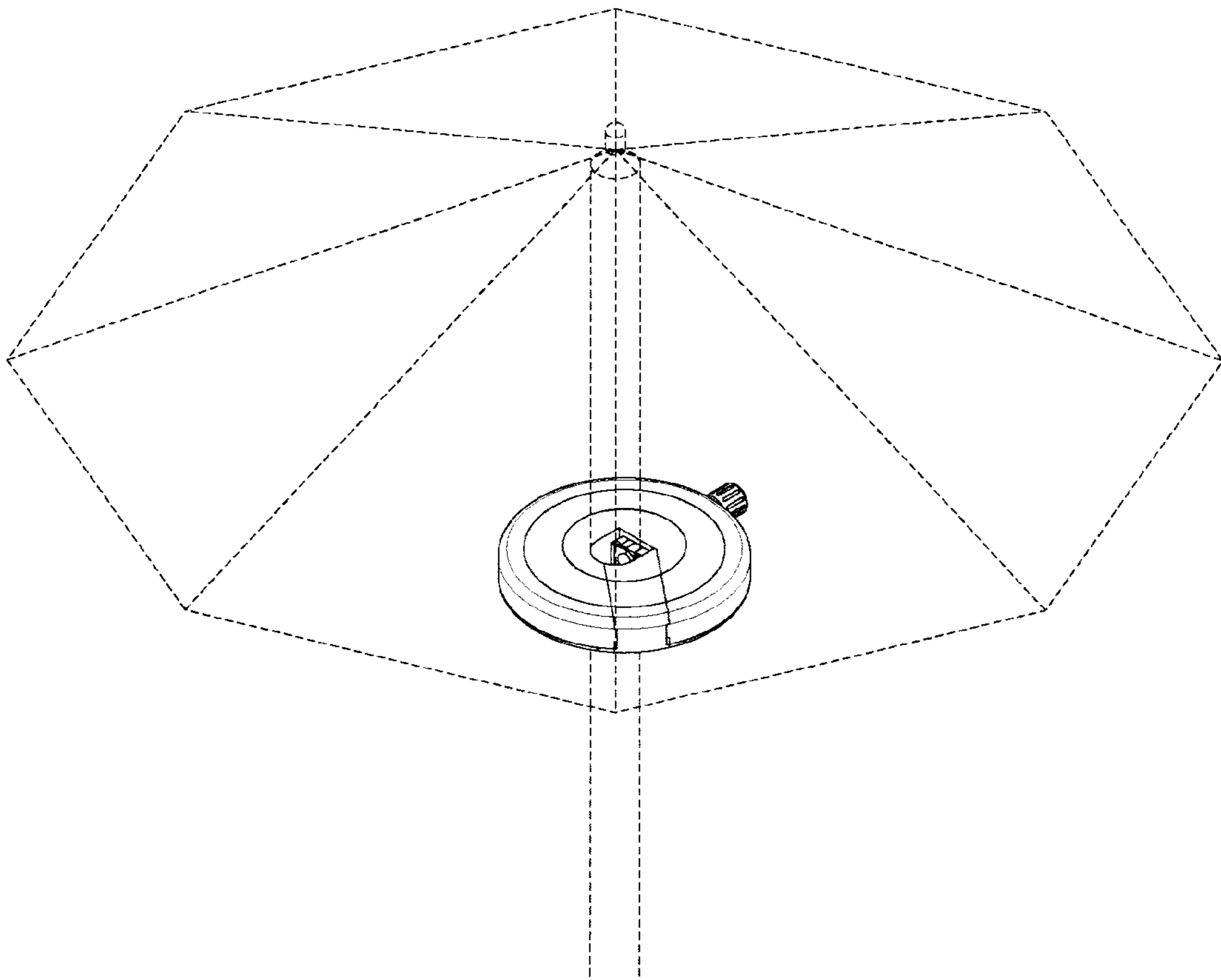


FIG. 9