



US00D542452S

(12) **United States Design Patent**  
**Chow**

(10) **Patent No.:** **US D542,452 S**

(45) **Date of Patent:** **\*\* May 8, 2007**

(54) **POP-UP BOOKLIGHT**

(75) Inventor: **Kenneth Chow**, Hong Kong (HK)

(73) Assignee: **King's Manufacturing Co., Ltd.**,  
Kowloon (HK)

(\*\*) Term: **14 Years**

(21) Appl. No.: **29/246,204**

(22) Filed: **Mar. 21, 2006**

(51) **LOC (8) Cl.** ..... **26-05**

(52) **U.S. Cl.** ..... **D26/60; D26/65**

(58) **Field of Classification Search** ..... D26/37,  
D26/43, 44, 60-63, 65; 362/98, 99, 109-114,  
362/191, 197, 198, 287, 427, 396  
See application file for complete search history.

(56) **References Cited**

**U.S. PATENT DOCUMENTS**

D408,567 S *	4/1999	Coe	.....	D26/60
D468,468 S *	1/2003	Wallach et al.	.....	D26/60
6,729,739 B2 *	5/2004	Siegel et al.	.....	362/109
D494,301 S *	8/2004	Lee	.....	D26/60
D524,474 S *	7/2006	Lo et al.	.....	D26/60
D526,433 S *	8/2006	Li	.....	D26/60
D526,734 S *	8/2006	Brown	.....	D26/60
2003/0076670 A1 *	4/2003	Siegel et al.	.....	362/109

**FOREIGN PATENT DOCUMENTS**

HK 0410785.0 4/2004

\* cited by examiner

*Primary Examiner*—Clare E Heflin

(74) *Attorney, Agent, or Firm*—Squire, Sanders &  
Dempsey; Aaron Winger

(57) **CLAIM**

The ornamental design for a pop-up booklight, as shown and described.

**DESCRIPTION**

FIG. 1 is a right side view of my booklight design in a closed position;

FIG. 2 is a bottom view thereof;

FIG. 3 is a front view thereof;

FIG. 4 is a top view thereof;

FIG. 5 is a left view thereof;

FIG. 6 is a back view thereof;

FIG. 7 is a left side view of my booklight design in an open position;

FIG. 8 is a back view thereof;

FIG. 9 is a bottom view thereof;

FIG. 10 is a right side view thereof;

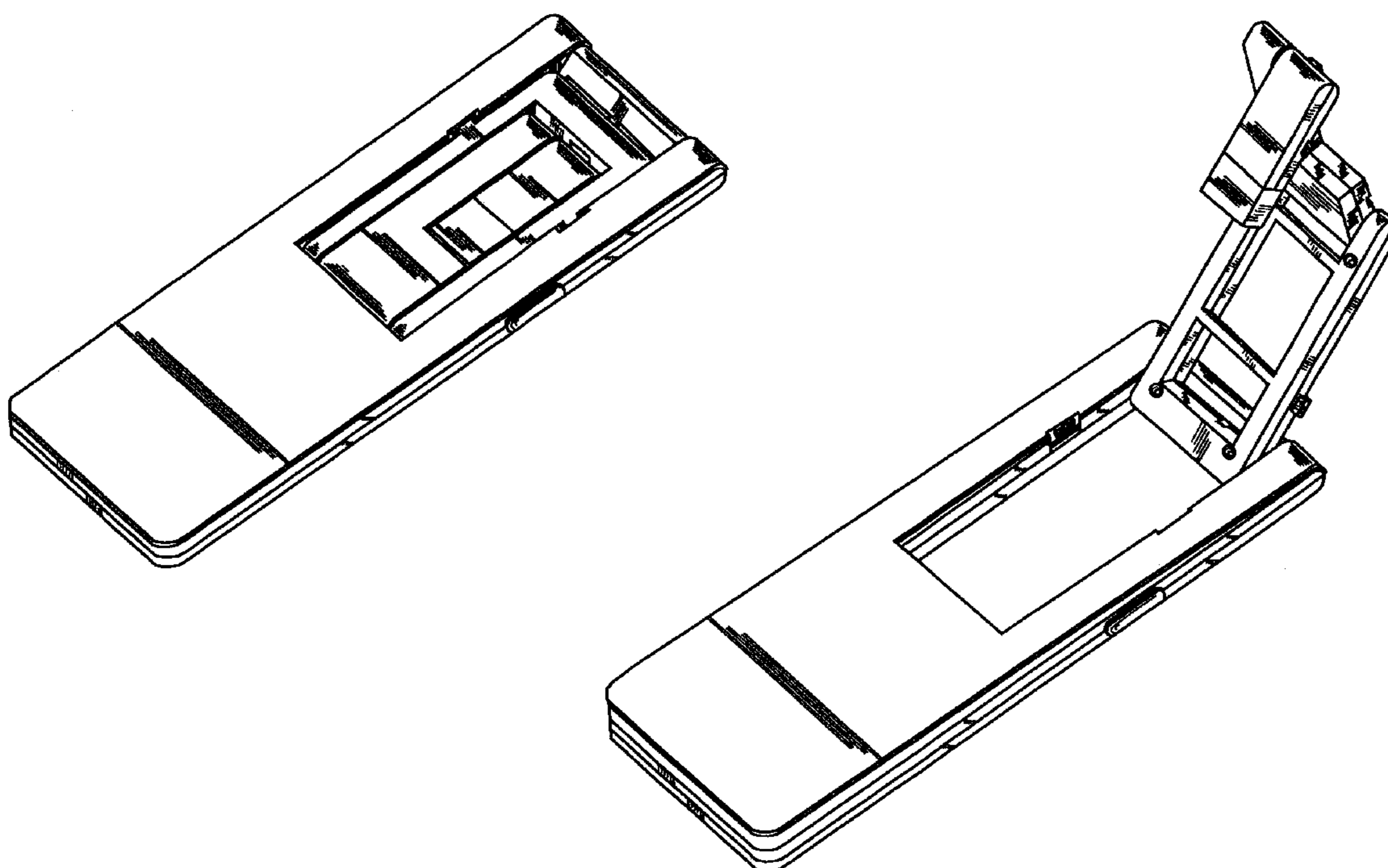
FIG. 11 is a front view thereof;

FIG. 12 is a top view thereof;

FIG. 13 is a perspective view of my booklight design in a closed position; and,

FIG. 14 is a perspective view of my booklight design an open position.

**1 Claim, 4 Drawing Sheets**



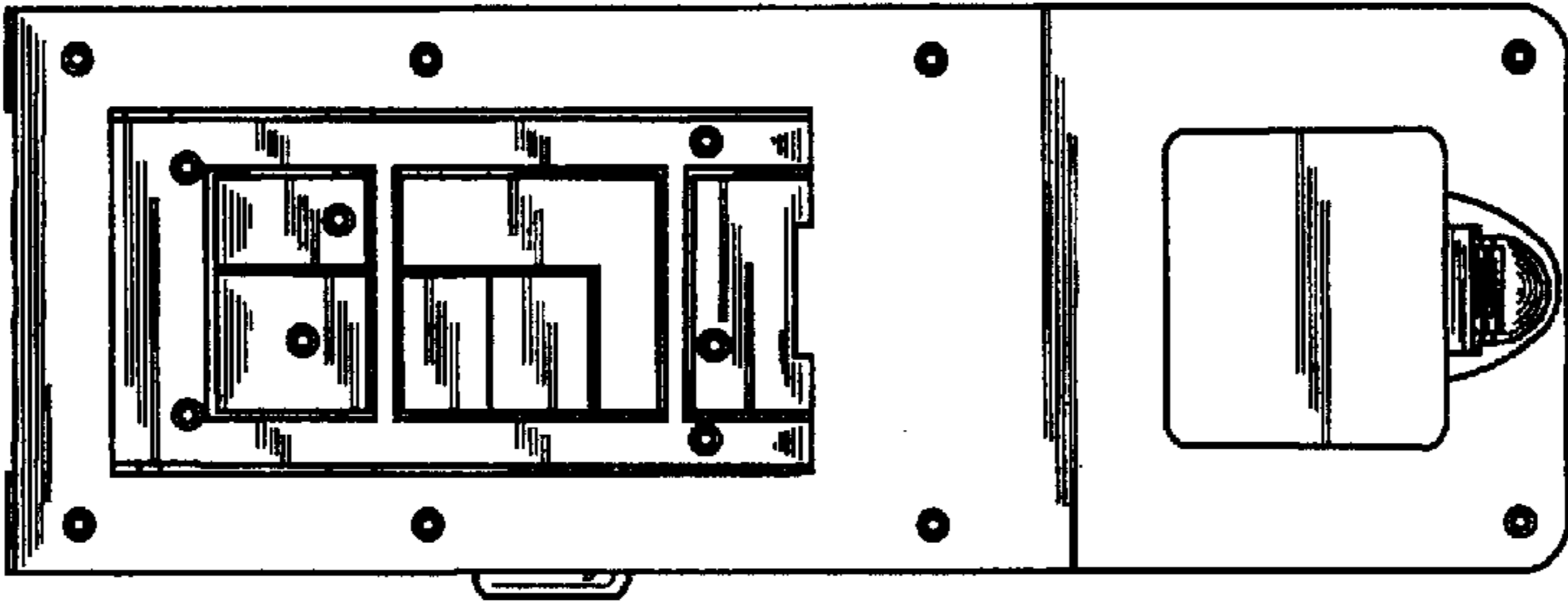


FIG. 6

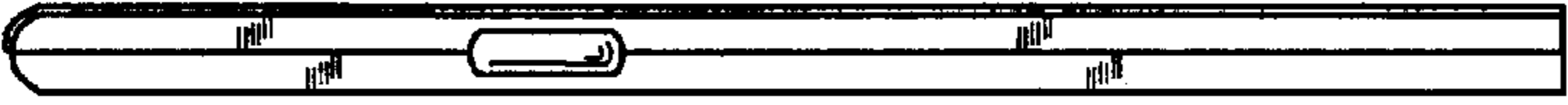


FIG. 5



FIG. 2

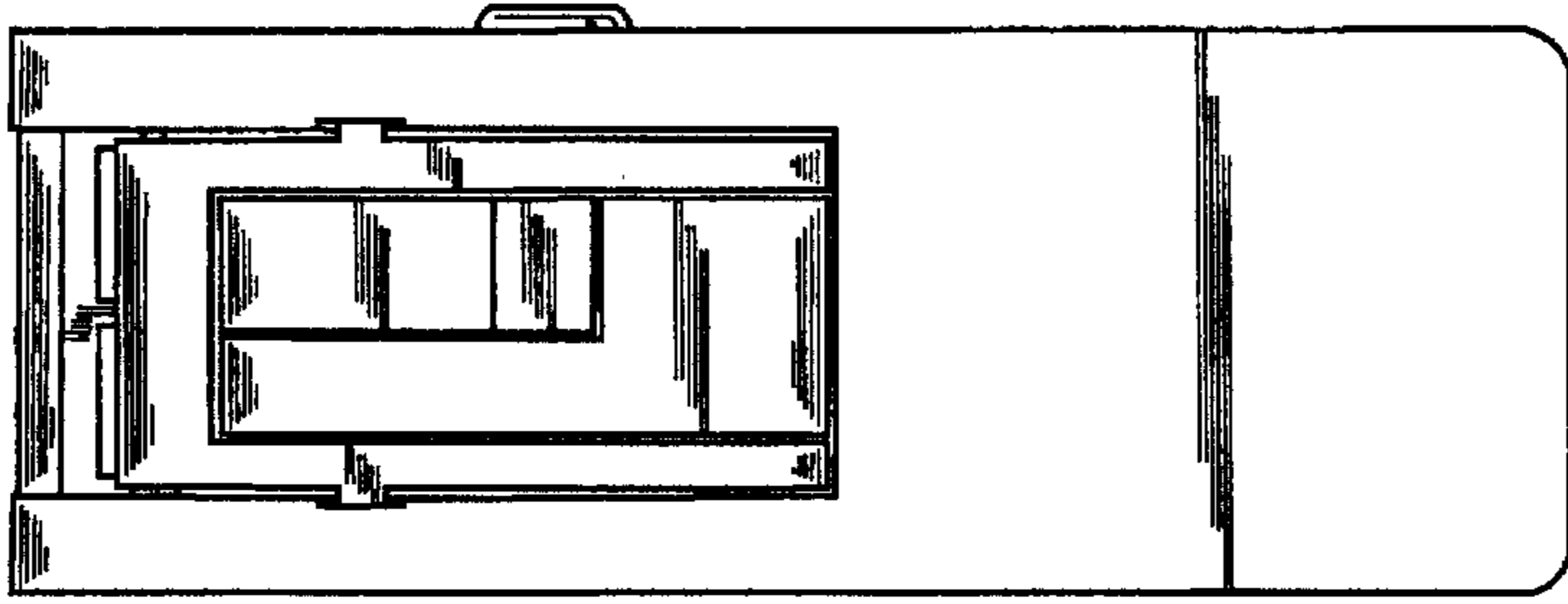


FIG. 3



FIG. 4



FIG. 1

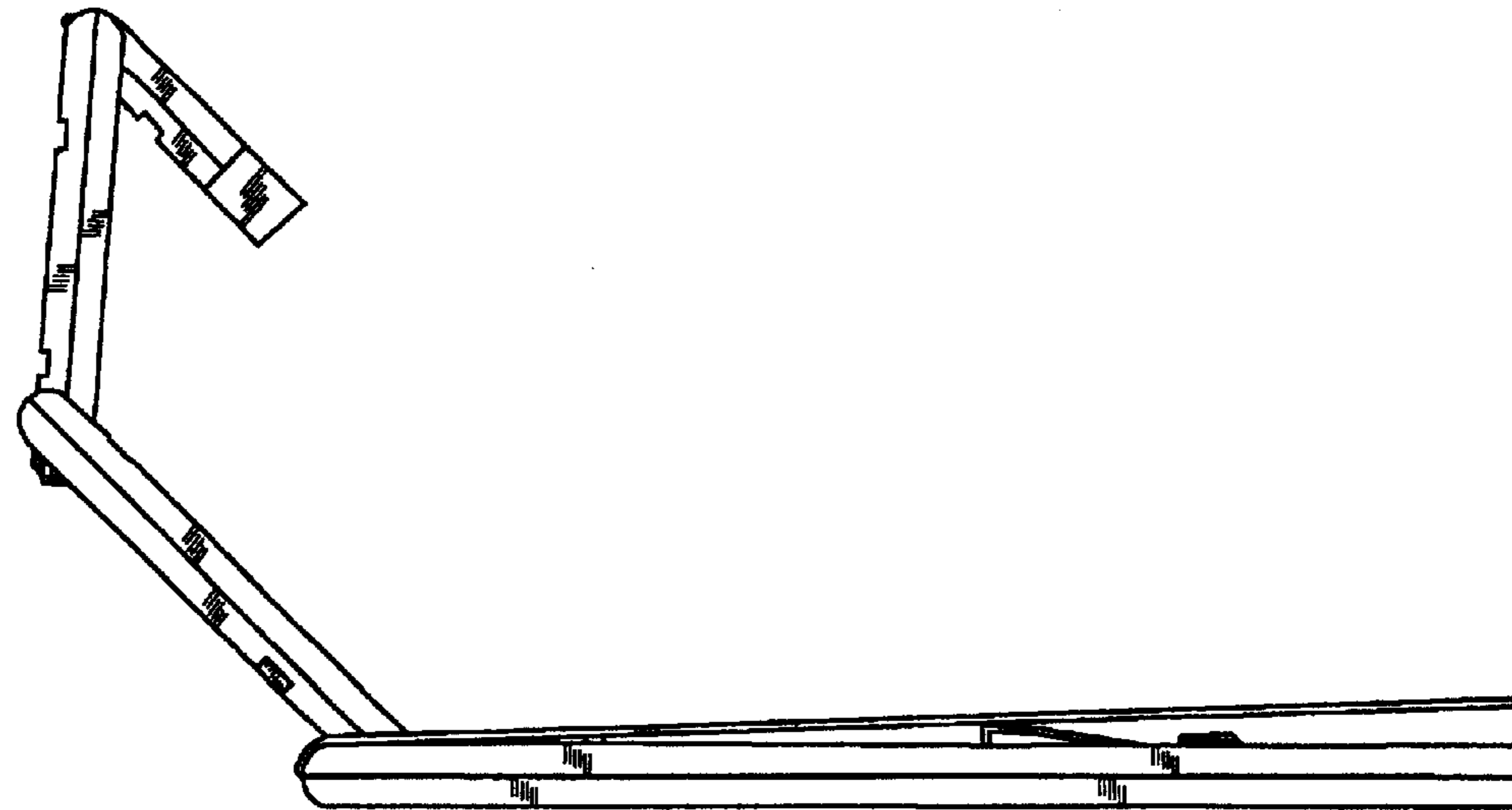


FIG. 7

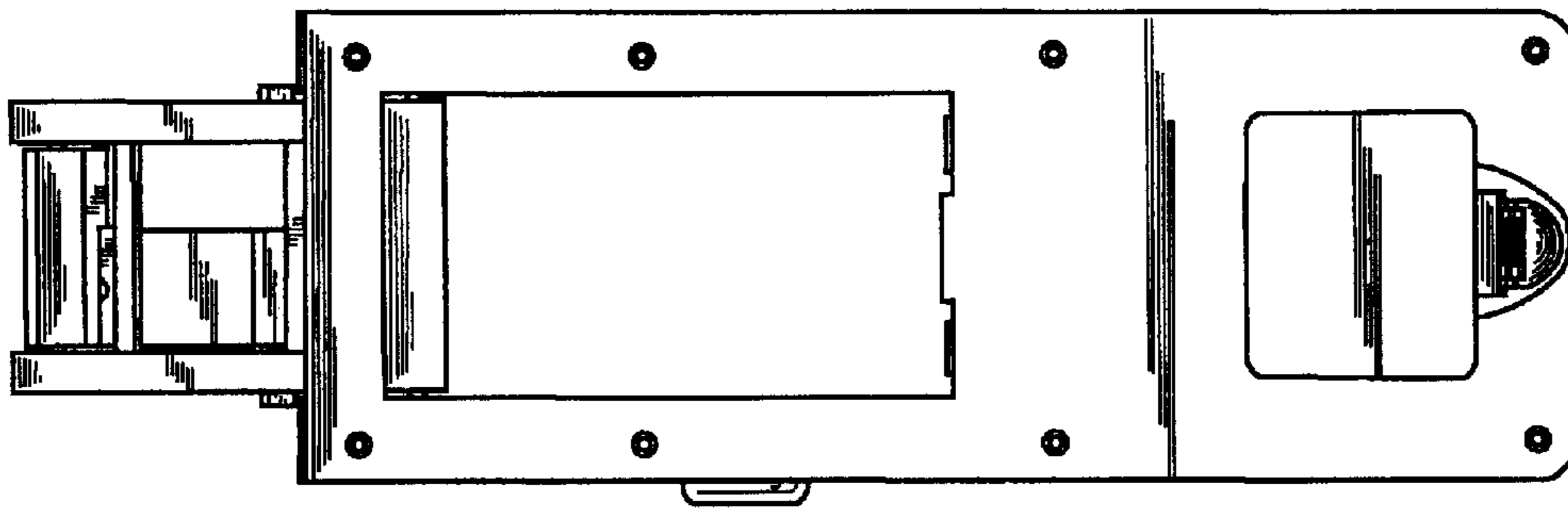


FIG. 8

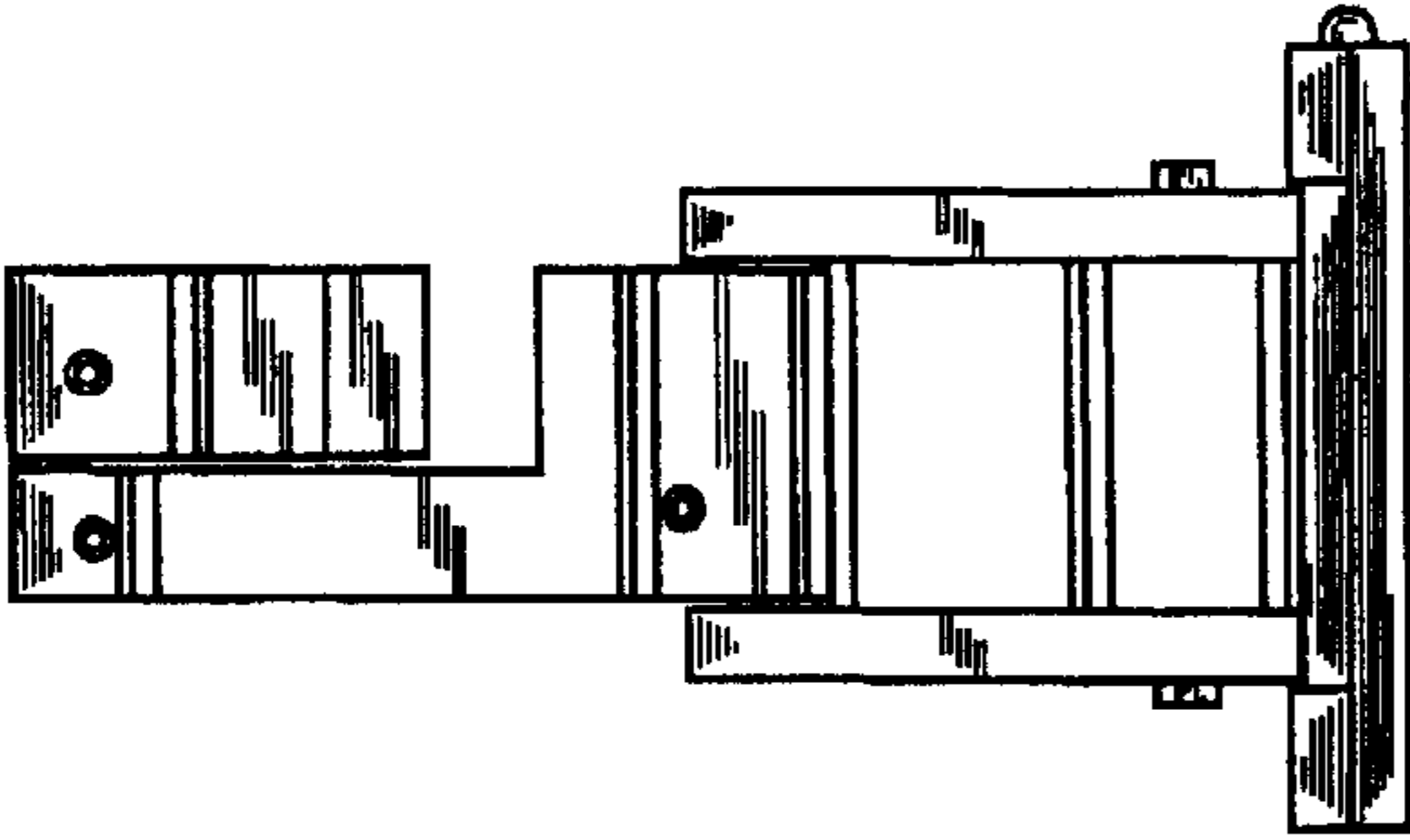


FIG. 9

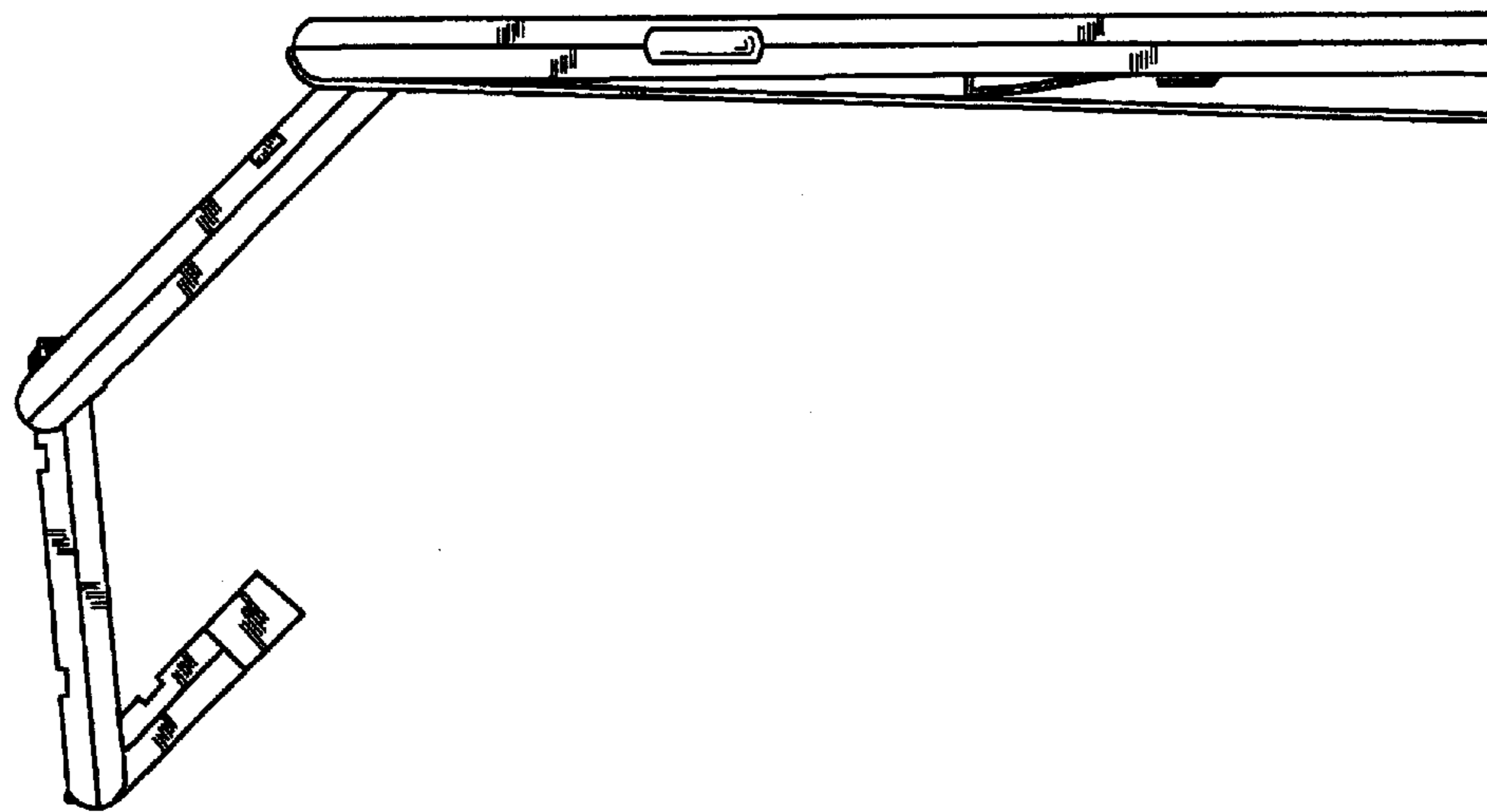


FIG. 10

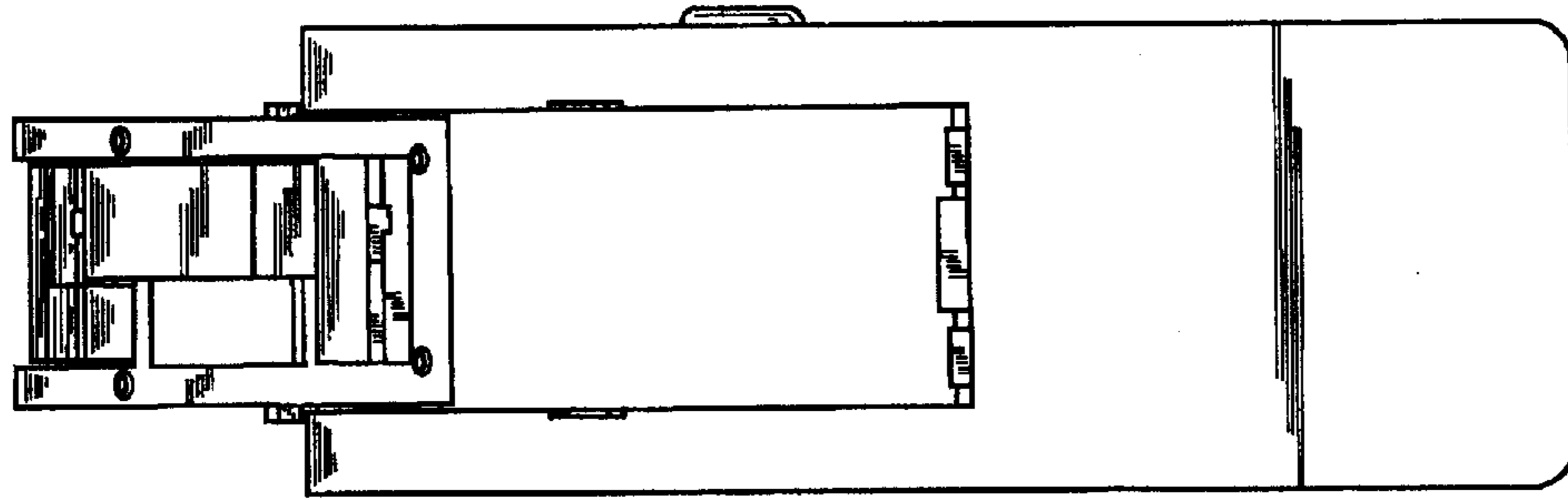


FIG. 11

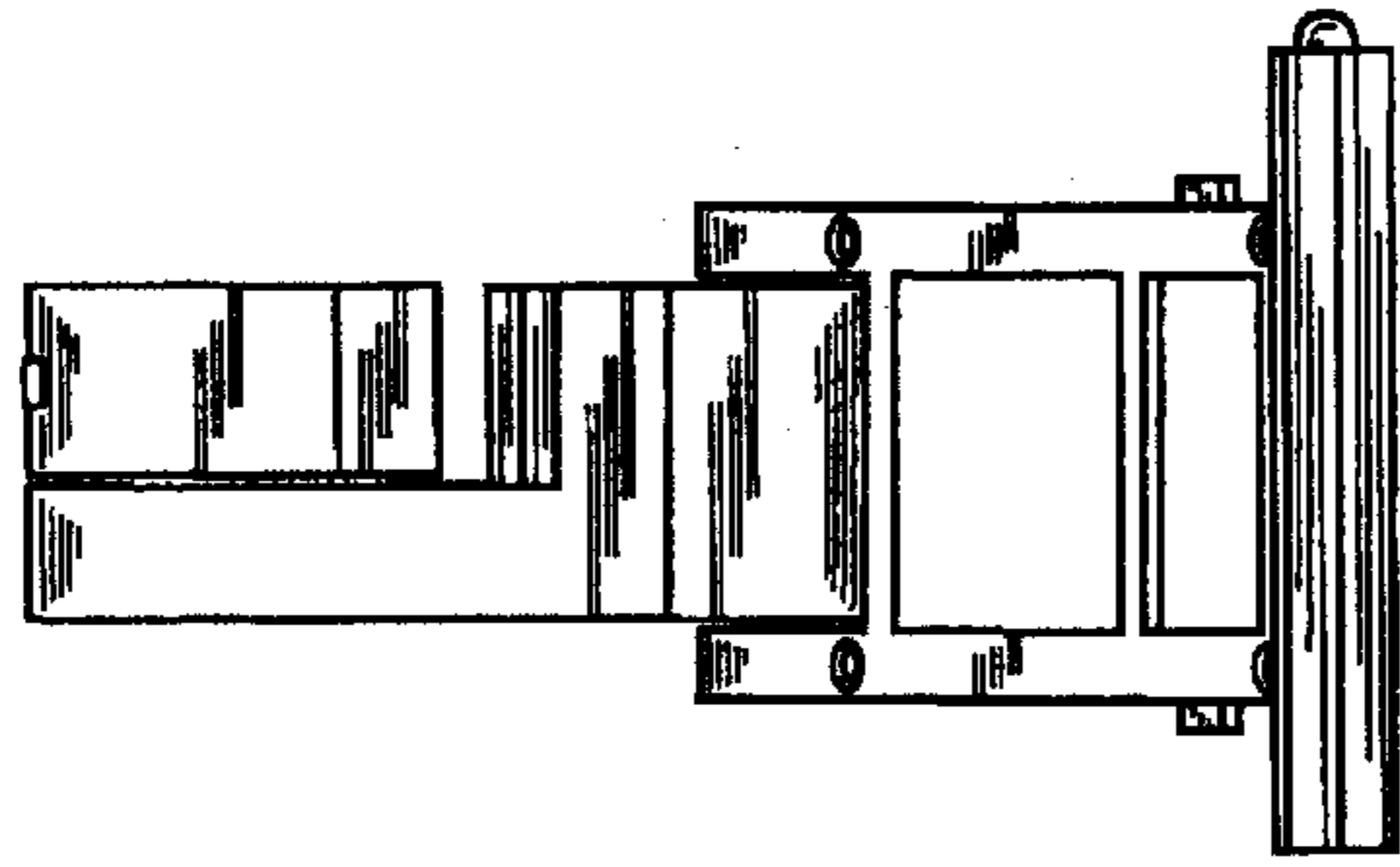


FIG. 12

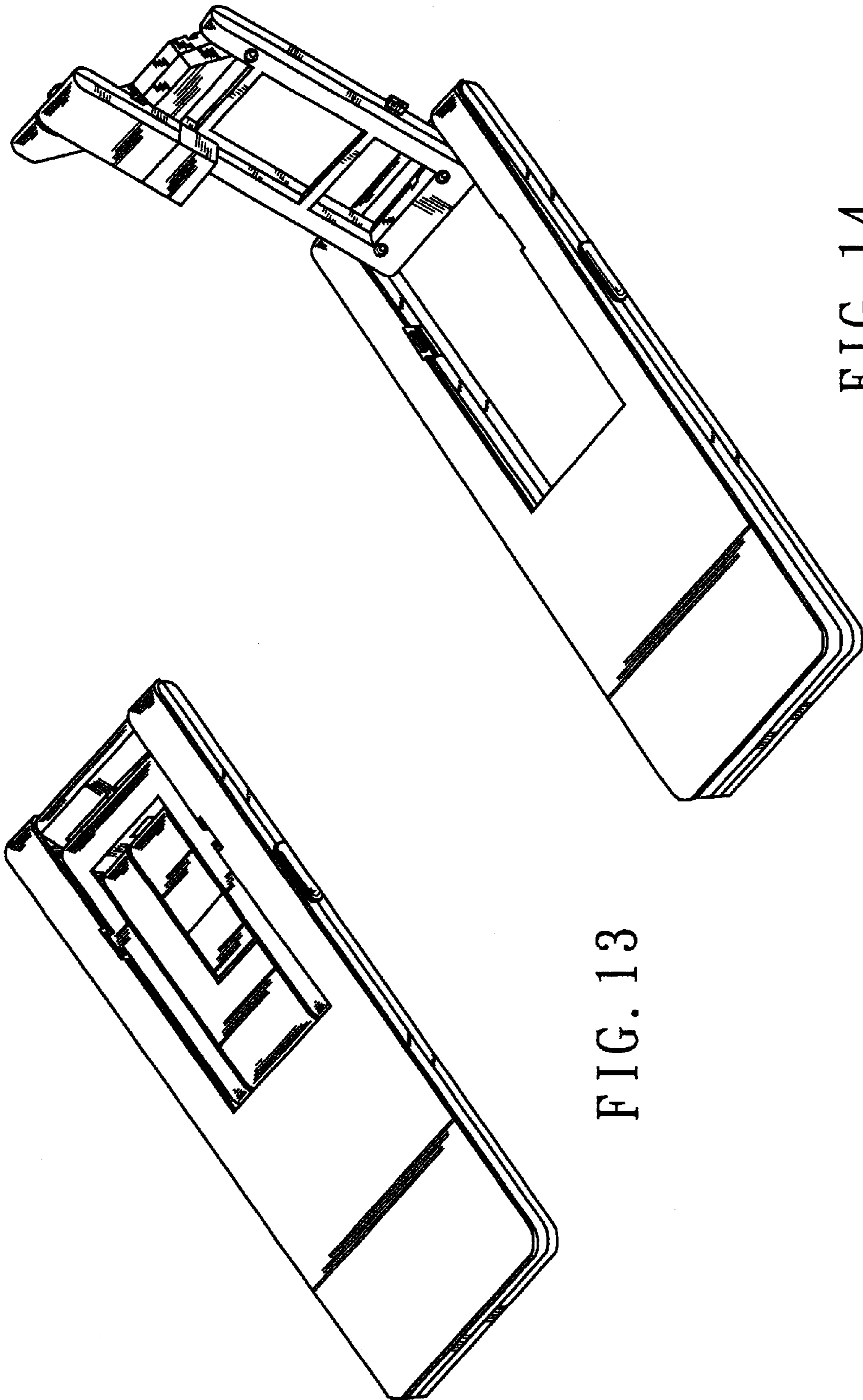


FIG. 13

FIG. 14