

US00D542450S

(12) **United States Design Patent**
Shiu

(10) **Patent No.:** **US D542,450 S**

(45) **Date of Patent:** **** May 8, 2007**

(54) **PORTABLE LIGHT SOURCE**

(75) **Inventor:** **Stephanie Wai Man Shiu**, Kowloon (HK)

(73) **Assignee:** **Gold Coral International Limited**, San Po Kong, Kowloon (HK)

(**) **Term:** **14 Years**

(21) **Appl. No.:** **29/223,583**

(22) **Filed:** **Feb. 16, 2005**

(30) **Foreign Application Priority Data**

Aug. 27, 2004 (HK) 0411903.2M001-M003

(51) **LOC (8) Cl.** **26-05**

(52) **U.S. Cl.** **D26/60; D26/63; D26/39**

(58) **Field of Classification Search** D26/37, D26/43, 44, 60-63, 65, 39; 362/98, 99, 109-114, 362/191, 197, 198, 287, 427, 396

See application file for complete search history.

(56) **References Cited**

U.S. PATENT DOCUMENTS

D391,381 S *	2/1998	Yang	D26/60
D405,202 S *	2/1999	Fattori et al.	D26/39
6,736,529 B1 *	5/2004	Lee	362/287
6,877,875 B2 *	4/2005	Yu et al.	362/105
6,905,223 B2 *	6/2005	Halasz	362/197
D519,662 S *	4/2006	Mullen	D26/61
D524,975 S *	7/2006	Oas	D26/60
2002/0034073 A1 *	3/2002	Halasz	362/197
2006/0050502 A1 *	3/2006	Ross et al.	362/110

* cited by examiner

Primary Examiner—Clare E Heflin

(74) *Attorney, Agent, or Firm*—Joseph G. Swan, PC

(57) **CLAIM**

The ornamental design for a portable light source, as shown and described.

DESCRIPTION

FIG. 1 is a front elevational view of a portable light source according to a first embodiment of the present invention.

FIG. 2 is a rear elevational view of the portable light source according to the first embodiment of the present invention.

FIG. 3 is a right side elevational view of the portable light source according to the first embodiment of the present invention, with the left side elevational view being a mirror image thereof.

FIG. 4 is a bottom plan view of the portable light source according to the first embodiment of the present invention.

FIG. 5 is a top plan view of the portable light source according to the first embodiment of the present invention.

FIG. 6 is a front elevational view of a portable light source according to a second embodiment of the present invention.

FIG. 7 is a rear elevational view of the portable light source according to the second embodiment of the present invention.

FIG. 8 is a right side elevational view of the portable light source according to the second embodiment of the present invention, with the left side elevational view being a mirror image thereof.

FIG. 9 is a bottom plan view of the portable light source according to the second embodiment of the present invention; and,

FIG. 10 is a top plan view of the portable light source according to the second embodiment of the present invention.

A head strap is shown in broken lines in FIGS. 5 and 10 for illustrative purposes only and forms no part of the claimed design.

1 Claim, 6 Drawing Sheets

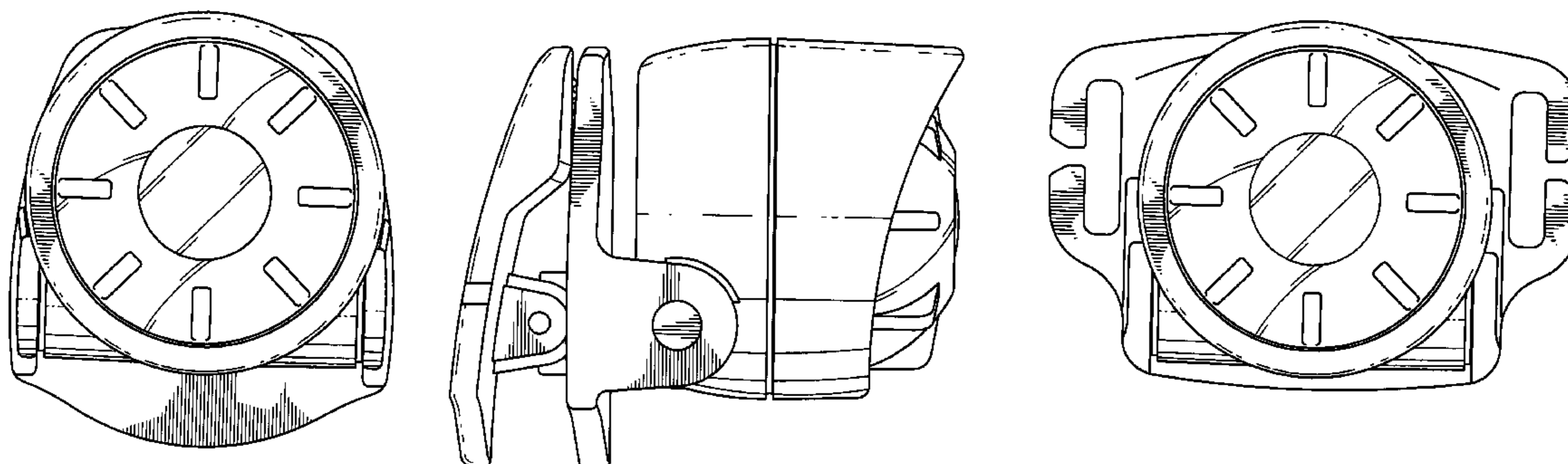


FIG. 1

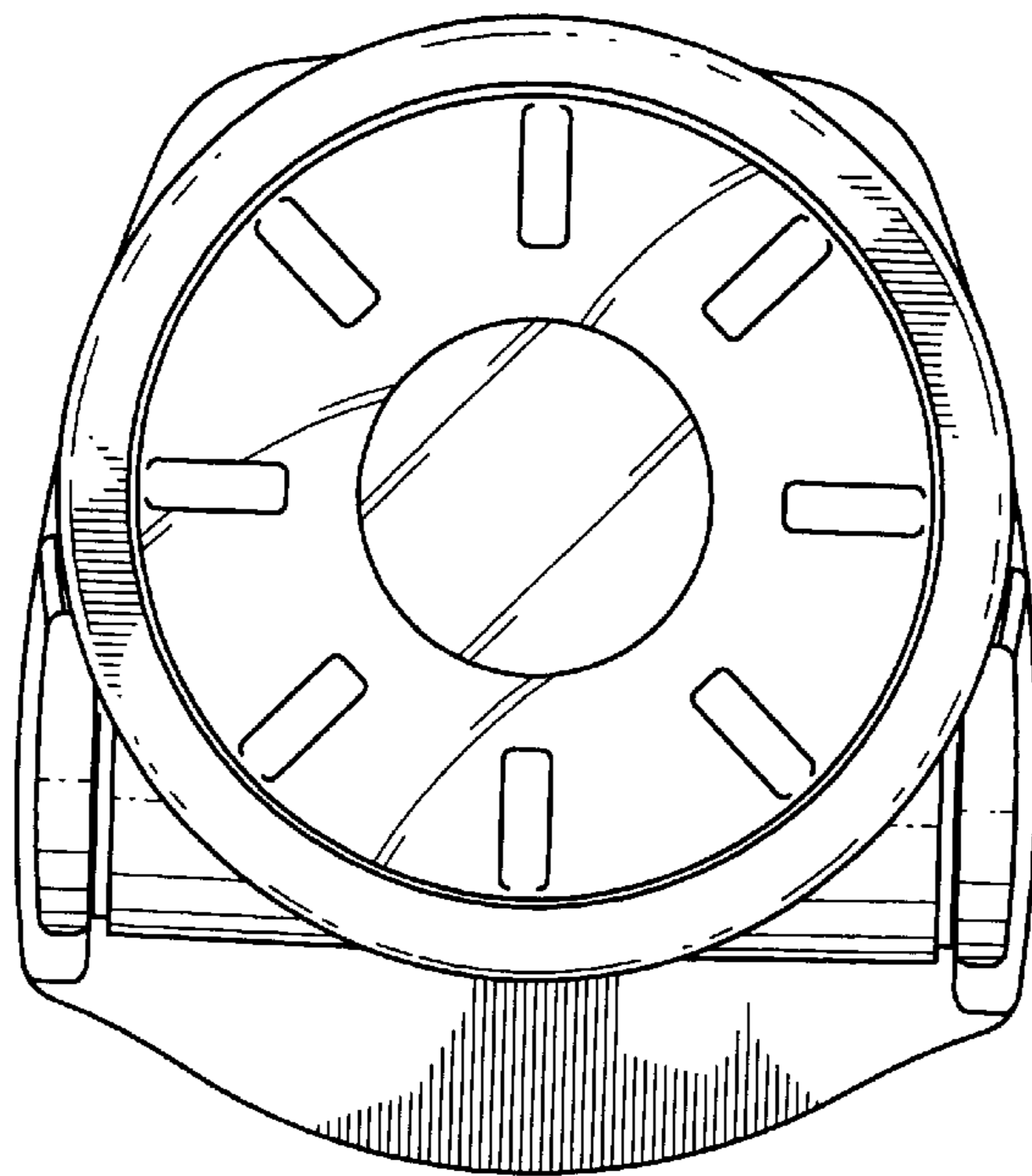


FIG. 2

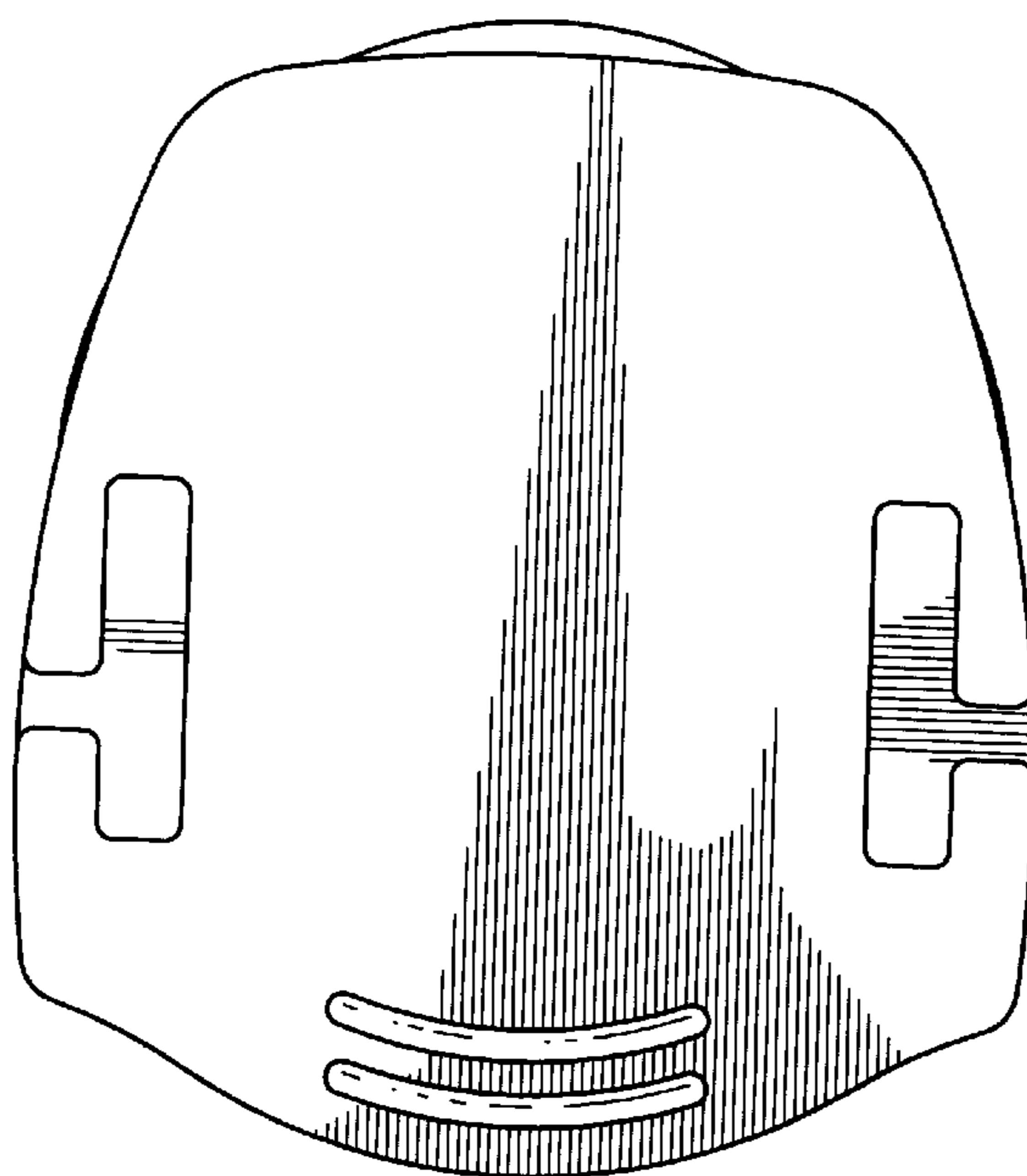


FIG. 3

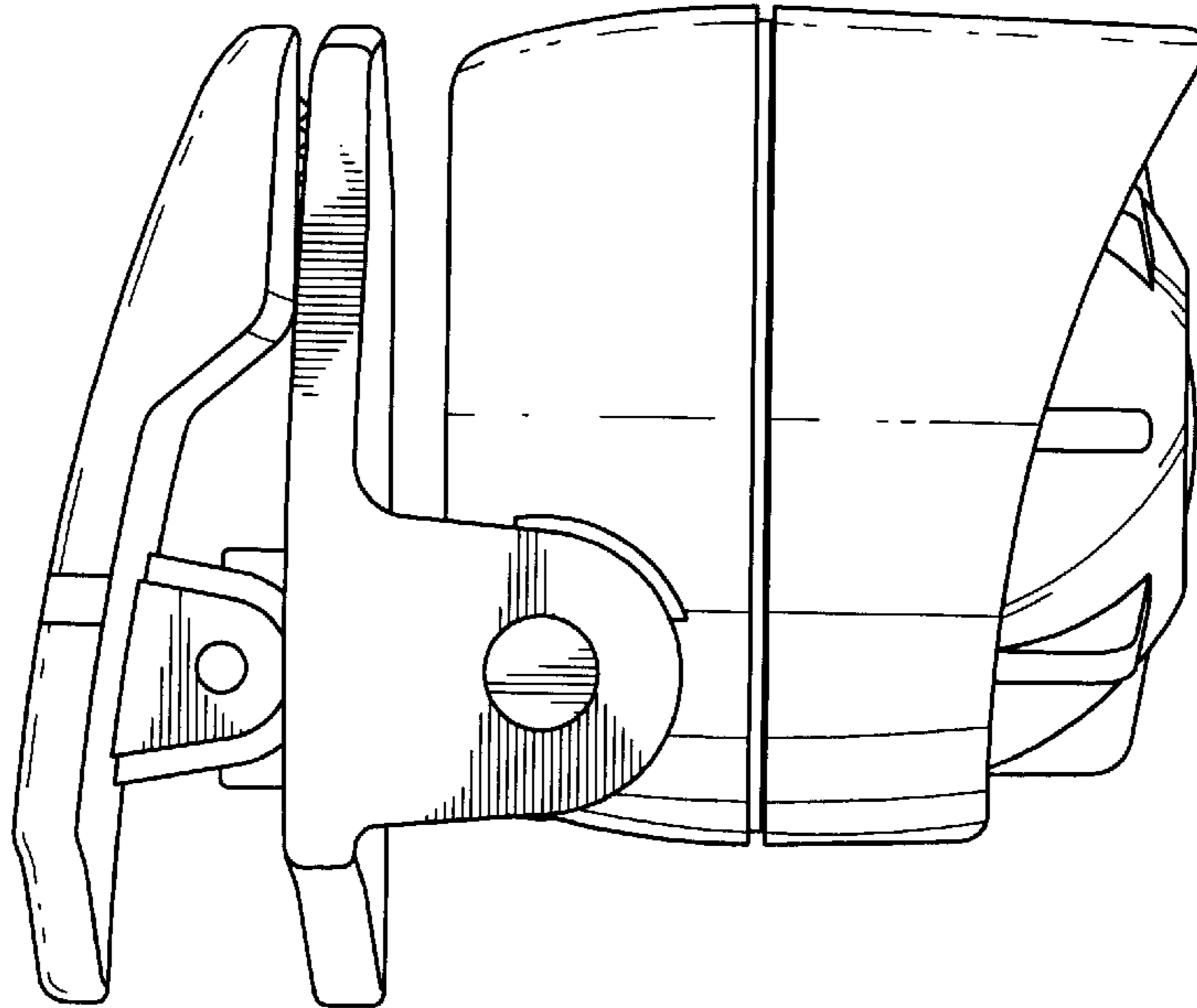


FIG. 4

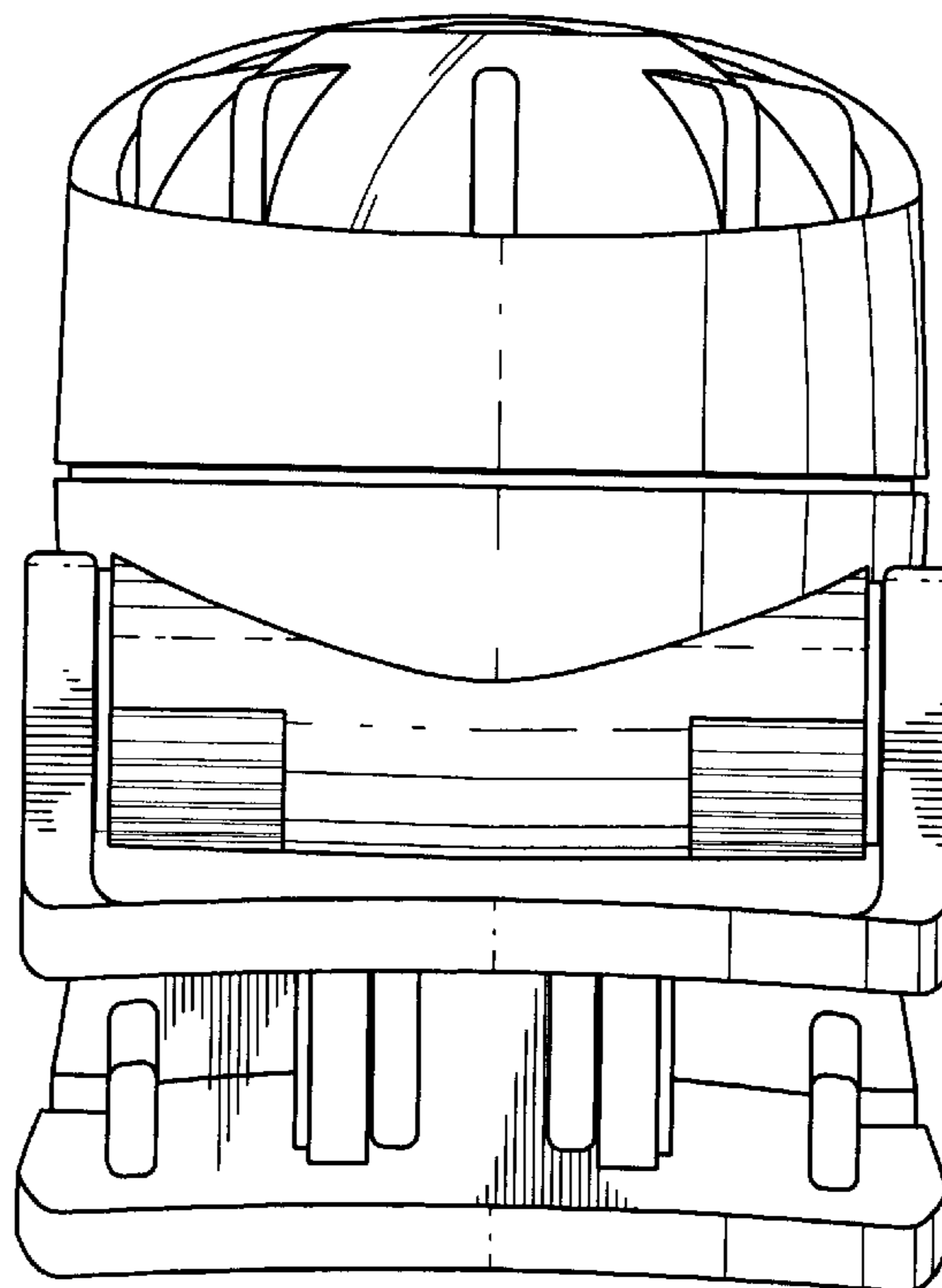




FIG. 5

FIG. 6

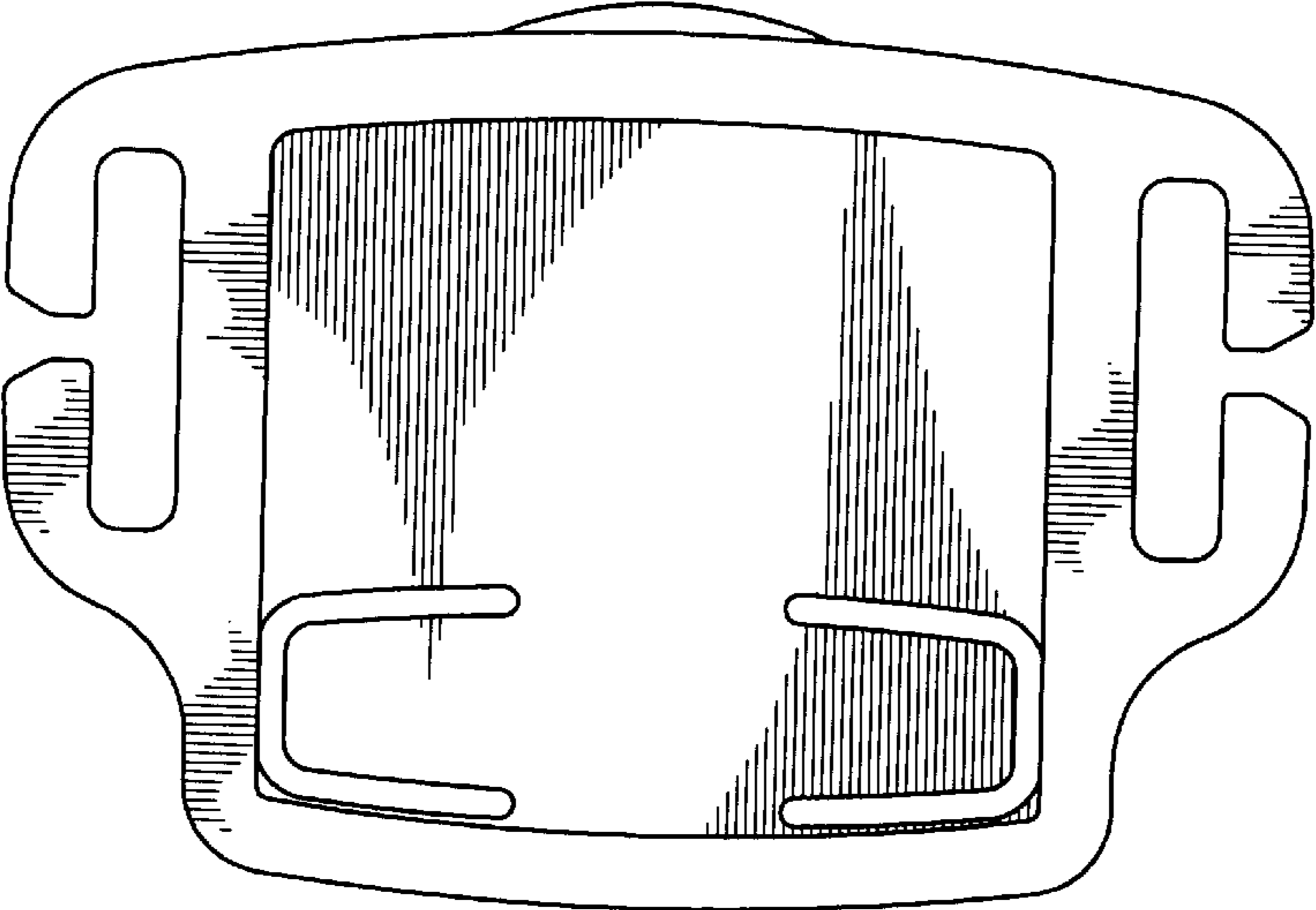
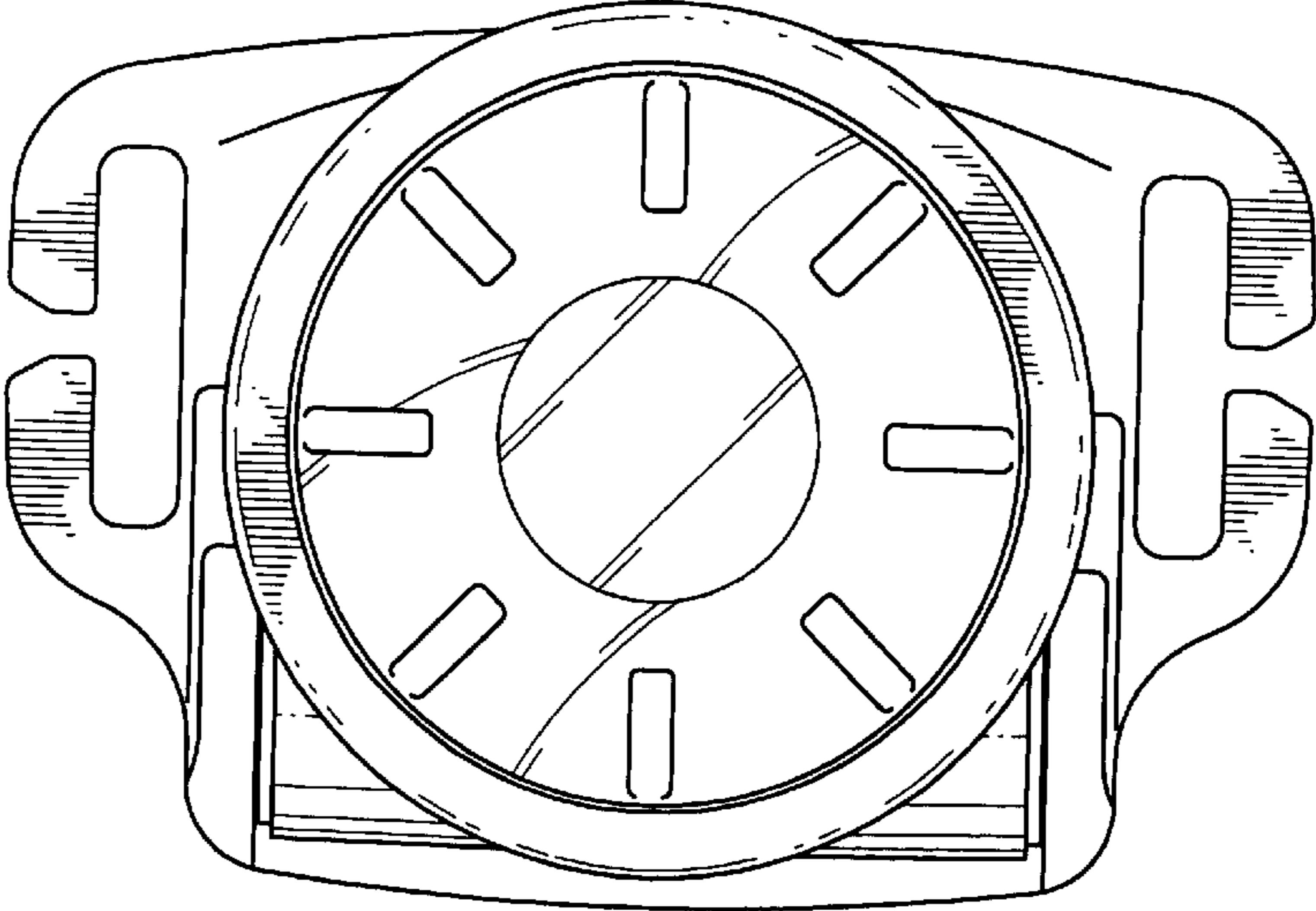


FIG. 7

FIG. 8

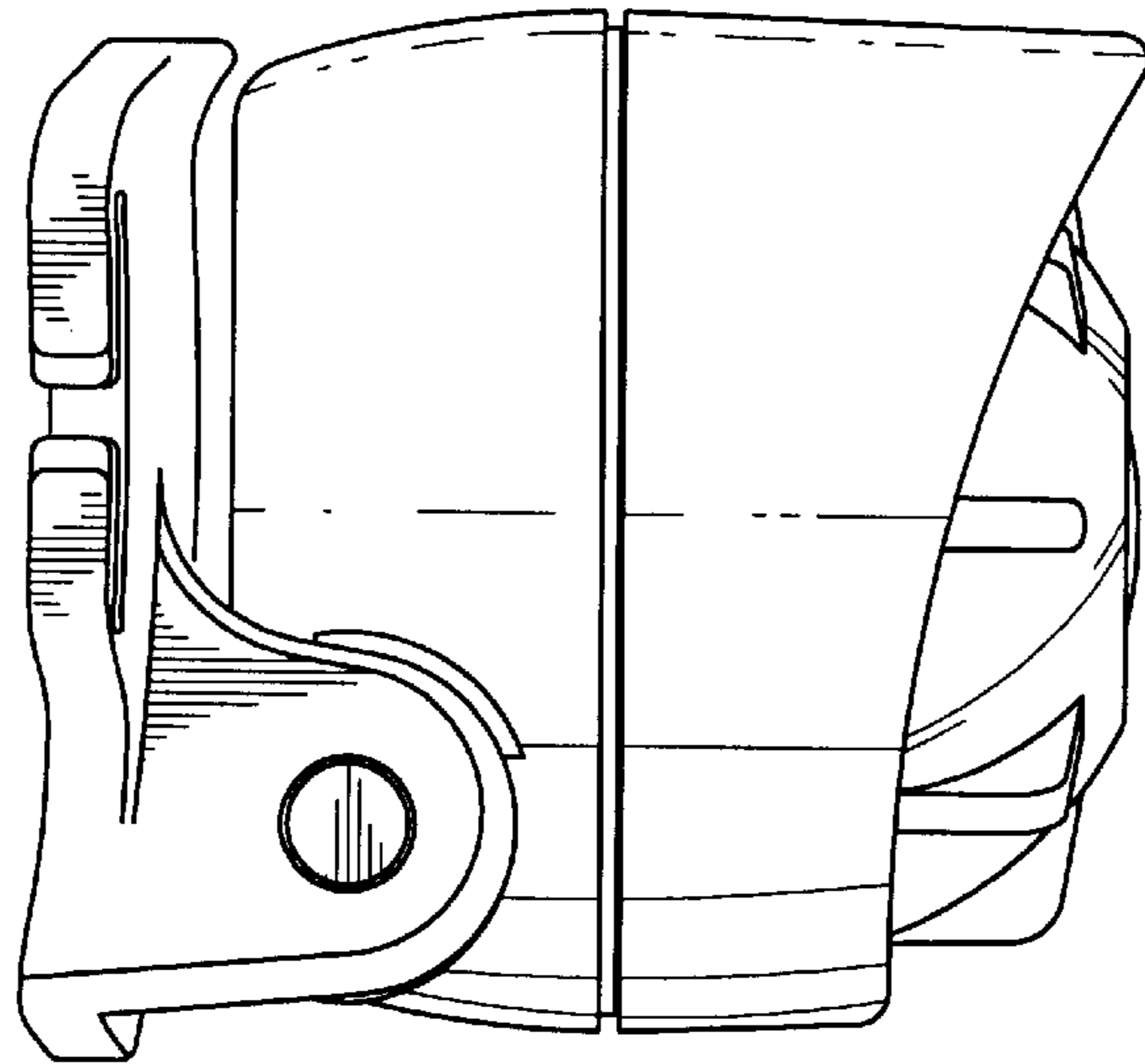
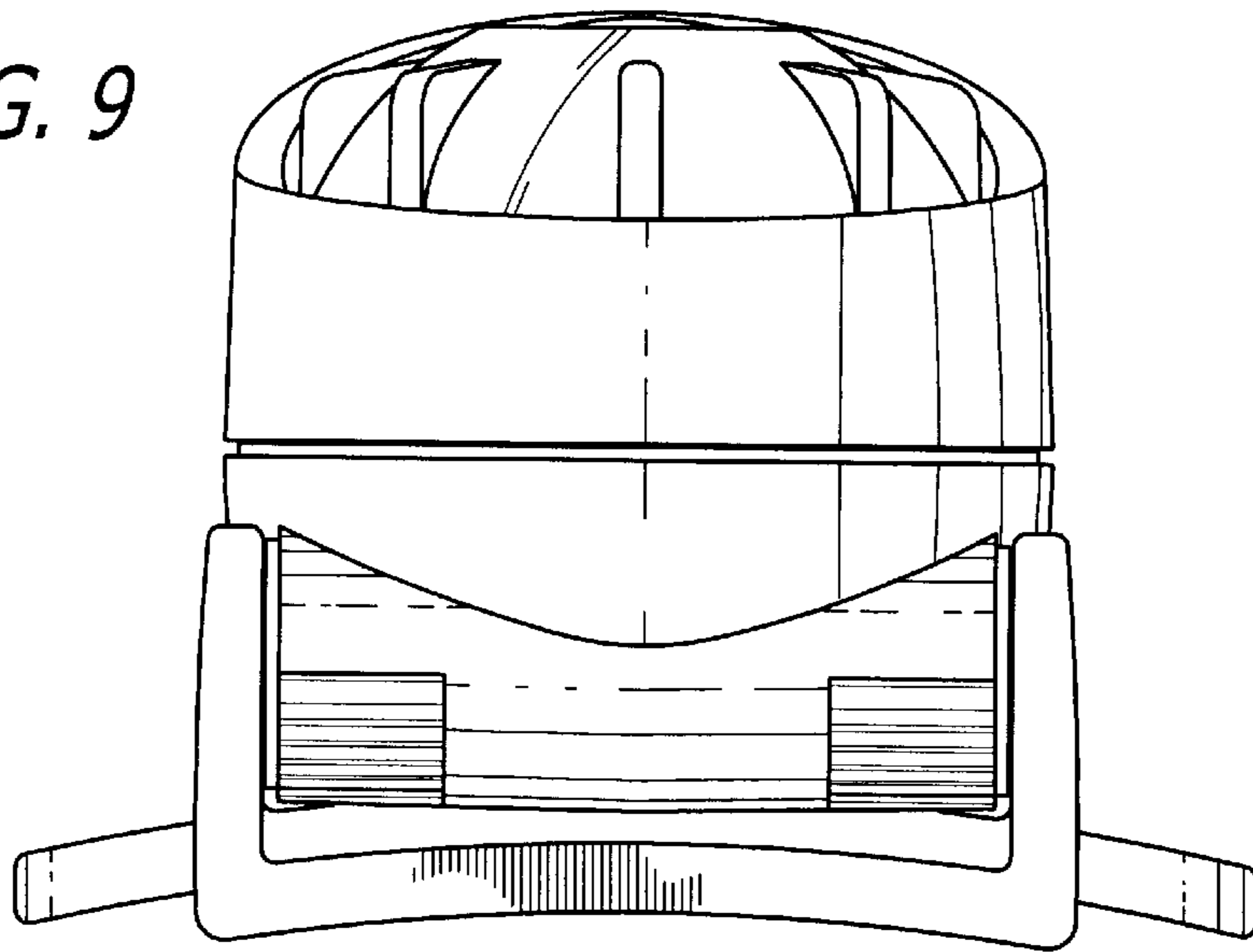


FIG. 9



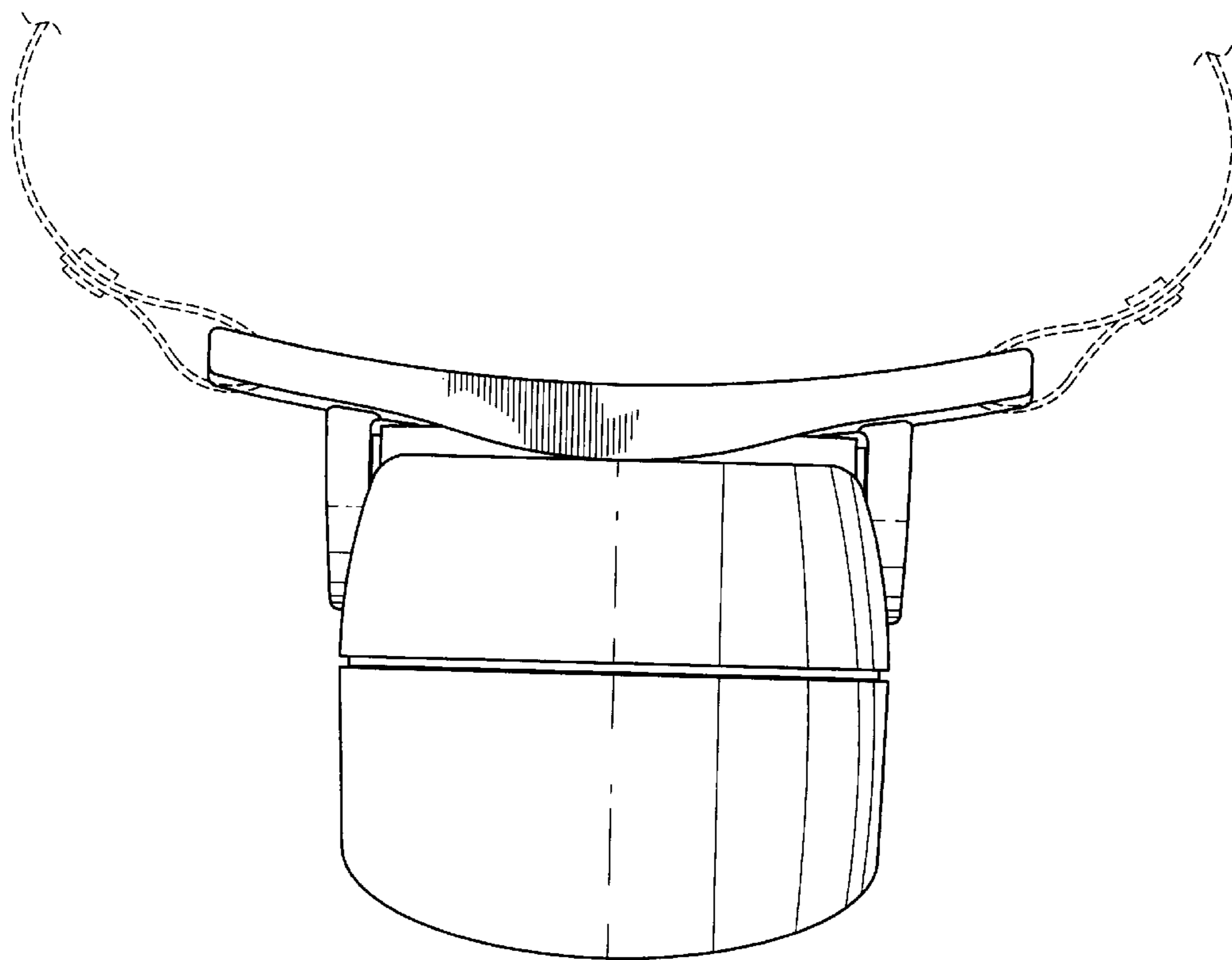


FIG. 10