



US00D542447S

(12) **United States Design Patent**
Krieger et al.

(10) **Patent No.:** **US D542,447 S**

(45) **Date of Patent:** **** May 8, 2007**

(54) **RECHARGEABLE INFLATOR AND SPOTLIGHT**

(75) Inventors: **Michael Krieger**, Miami Beach, FL (US); **Kevin Ellsworth**, Hollywood, FL (US)

(73) Assignee: **Vector Products, Inc.**, Ft. Lauderdale, FL (US)

(**) Term: **14 Years**

(21) Appl. No.: **29/228,574**

(22) Filed: **Apr. 26, 2005**

(51) **LOC (8) Cl.** **26-02**

(52) **U.S. Cl.** **D26/46; D26/38**

(58) **Field of Classification Search** D26/37-50; 362/157, 158, 171-174, 183-208

See application file for complete search history.

(56) **References Cited**

U.S. PATENT DOCUMENTS

D337,840 S	*	7/1993	Ekeroth	D26/44
D437,434 S	*	2/2001	Zeller	D26/46
D447,588 S	*	9/2001	Zeller	D26/46
D506,847 S	*	6/2005	Hussaini et al.	D26/46
D511,392 S	*	11/2005	Krieger et al.	D26/44

OTHER PUBLICATIONS

U.S. Appl. No. 29/228,575 filed Apr. 26, 2005.

* cited by examiner

Primary Examiner—Marcus A. Jackson

(74) *Attorney, Agent, or Firm*—Venable LLP; Robert Kinberg; Manni Li

(57) **CLAIM**

The ornamental design for a rechargeable inflator and spotlight, as shown and described.

DESCRIPTION

FIG. 1 is a perspective view from the front-top-left side of the rechargeable inflator and spotlight showing a first embodiment of our new design;

FIG. 2 is a front view of the design shown in FIG. 1;

FIG. 3 is a rear view of the design shown in FIG. 1;

FIG. 4 is a left side view of the design shown in FIG. 1;

FIG. 5 is a right side view of the design shown in FIG. 1;

FIG. 6 is a top view of the design shown in FIG. 1;

FIG. 7 is a bottom view of the design shown in FIG. 1;

FIG. 8 is a perspective view from the front-top-left side of the rechargeable inflator and spotlight, showing a second embodiment of our new design;

FIG. 9 is a front view of the design shown in FIG. 8;

FIG. 10 is a rear view of the design shown in FIG. 8;

FIG. 11 is a left side view of the design shown in FIG. 8;

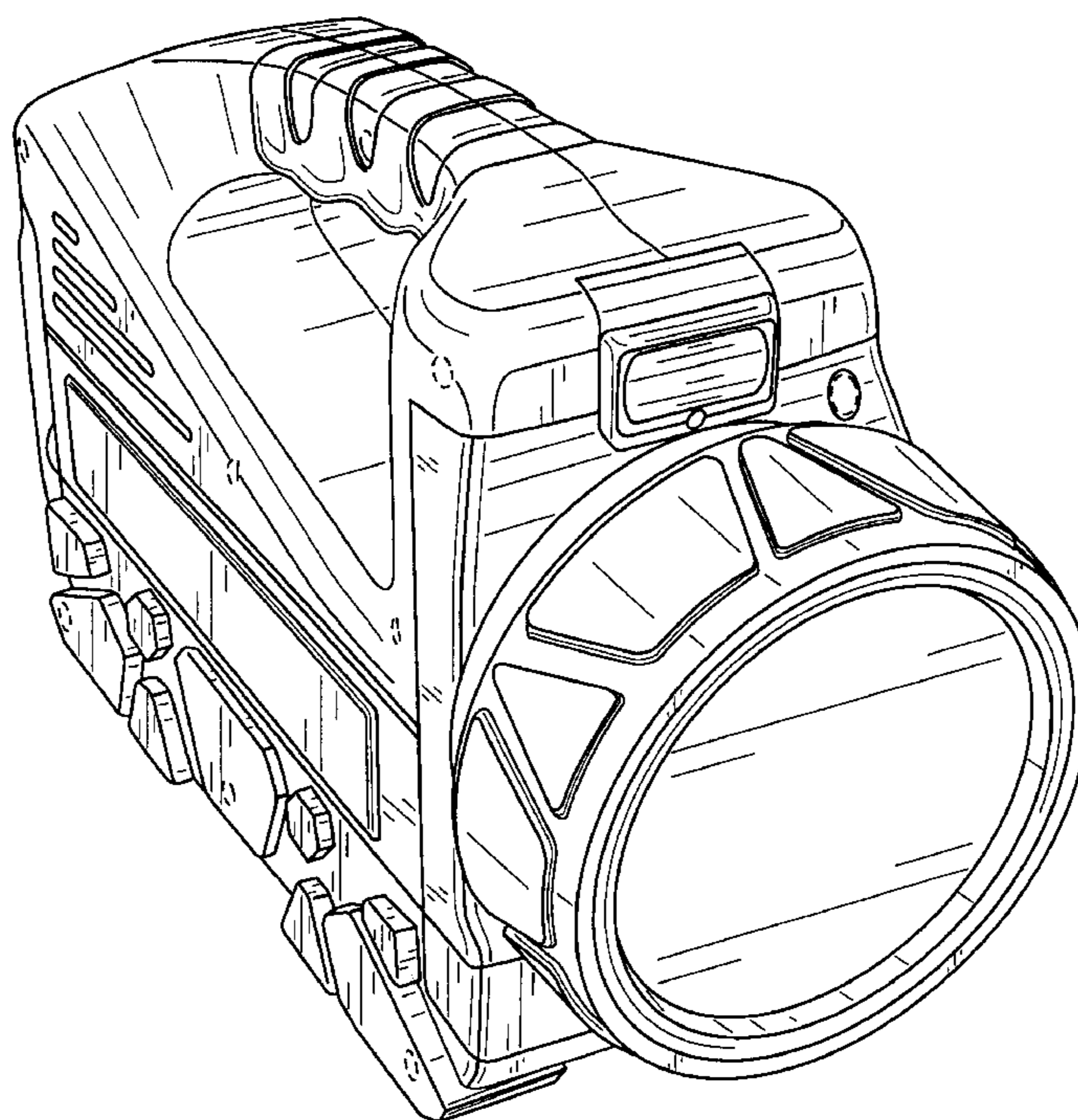
FIG. 12 is a right side view of the design shown in FIG. 8;

FIG. 13 is a top view of the design shown in FIG. 8; and,

FIG. 14 is a bottom view of the design shown in FIG. 8.

The broken lines immediately adjacent the shaded areas represent the bounds of the claimed design while all other broken lines are for illustrative purposes only; the broken lines form no part of the claimed design.

1 Claim, 14 Drawing Sheets



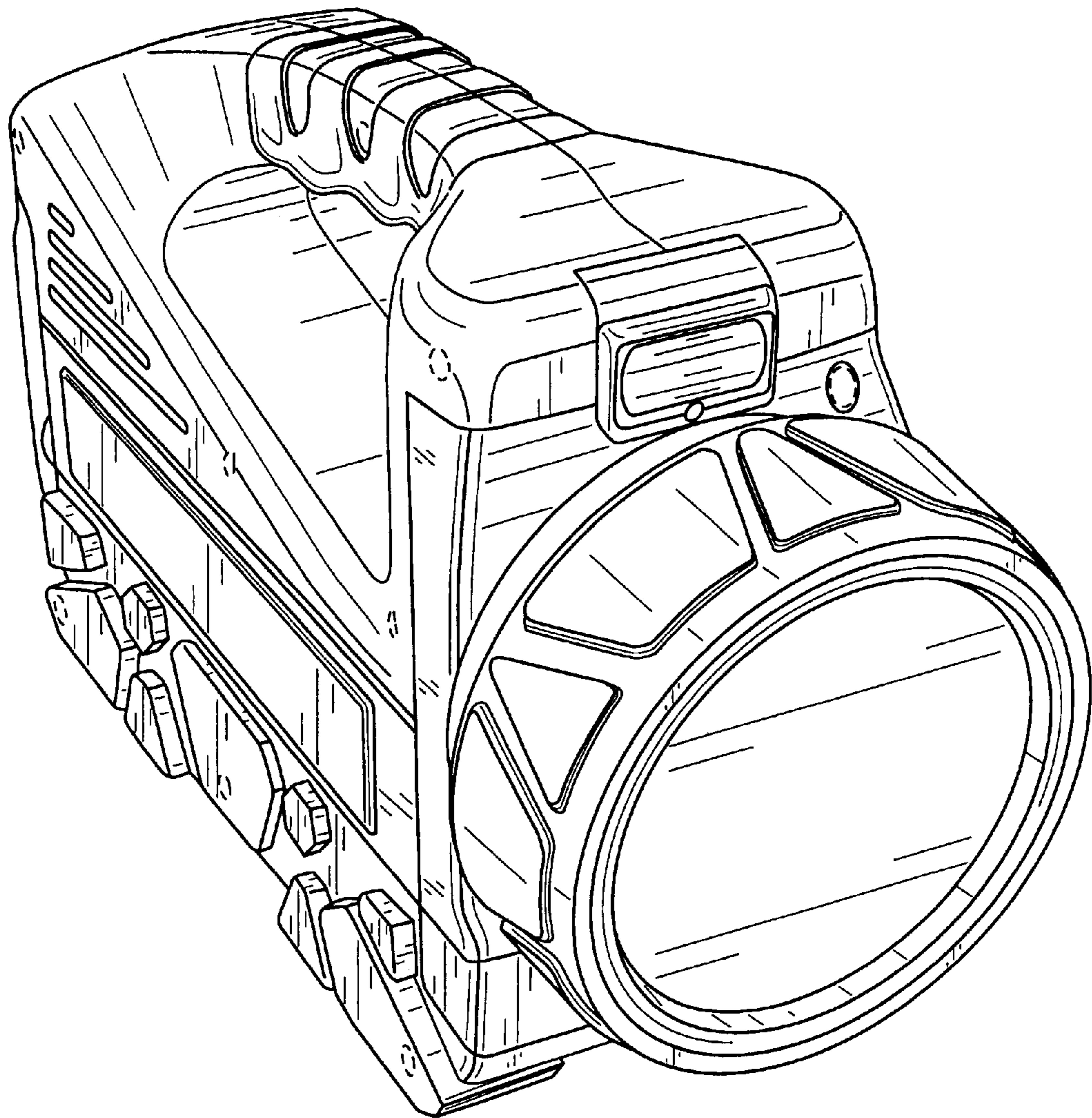


FIG. 1

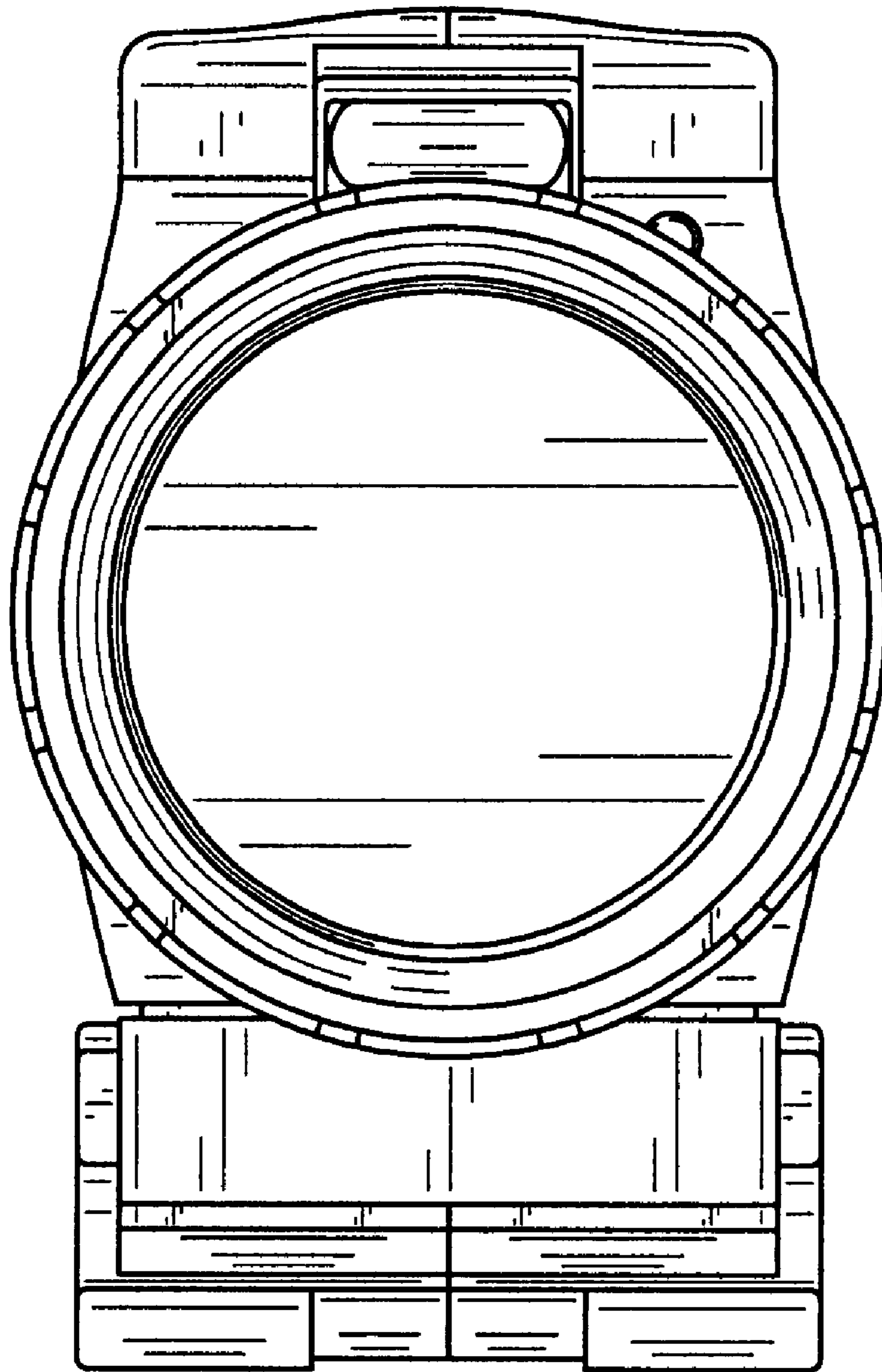


FIG. 2

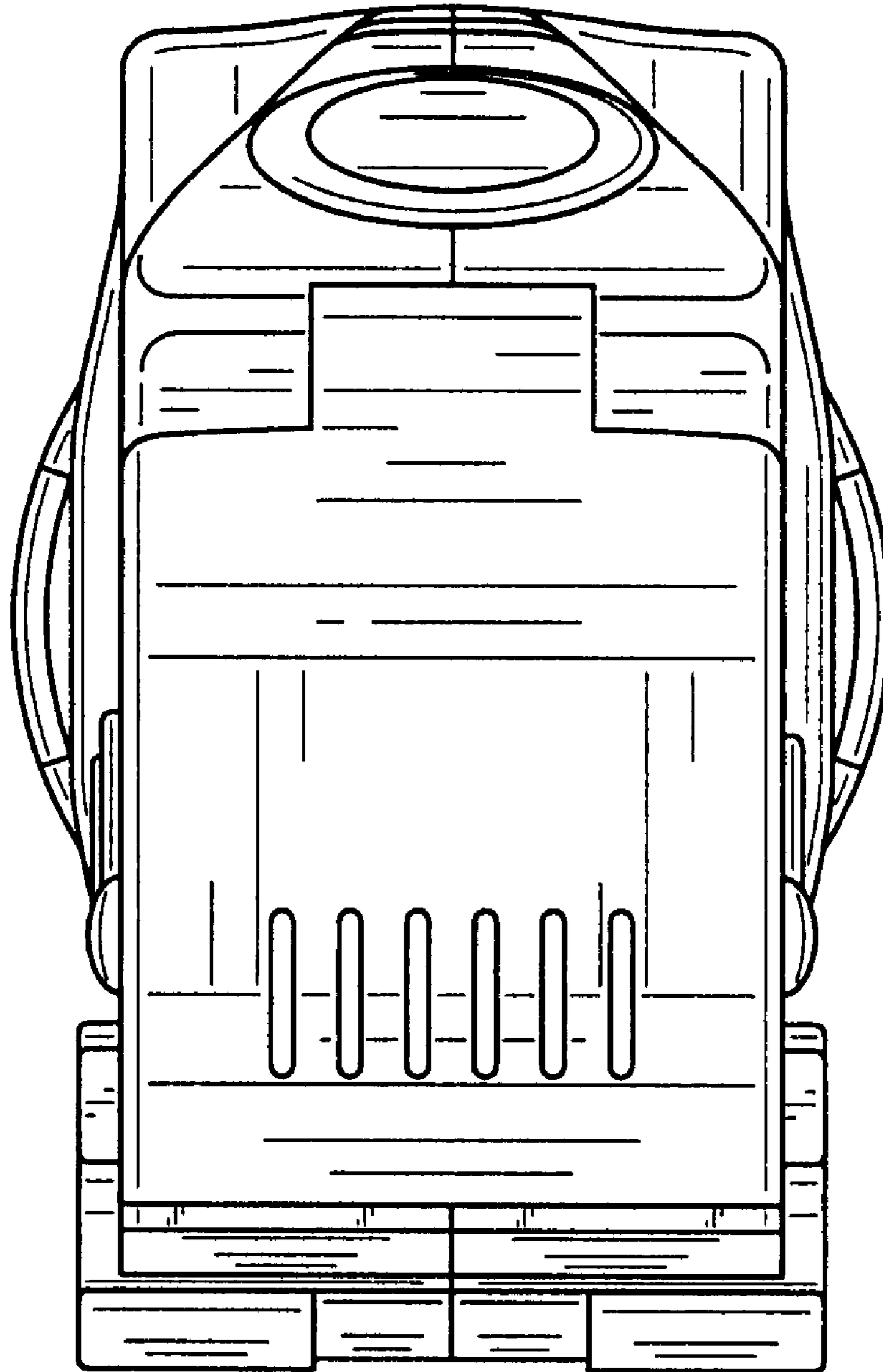


FIG. 3

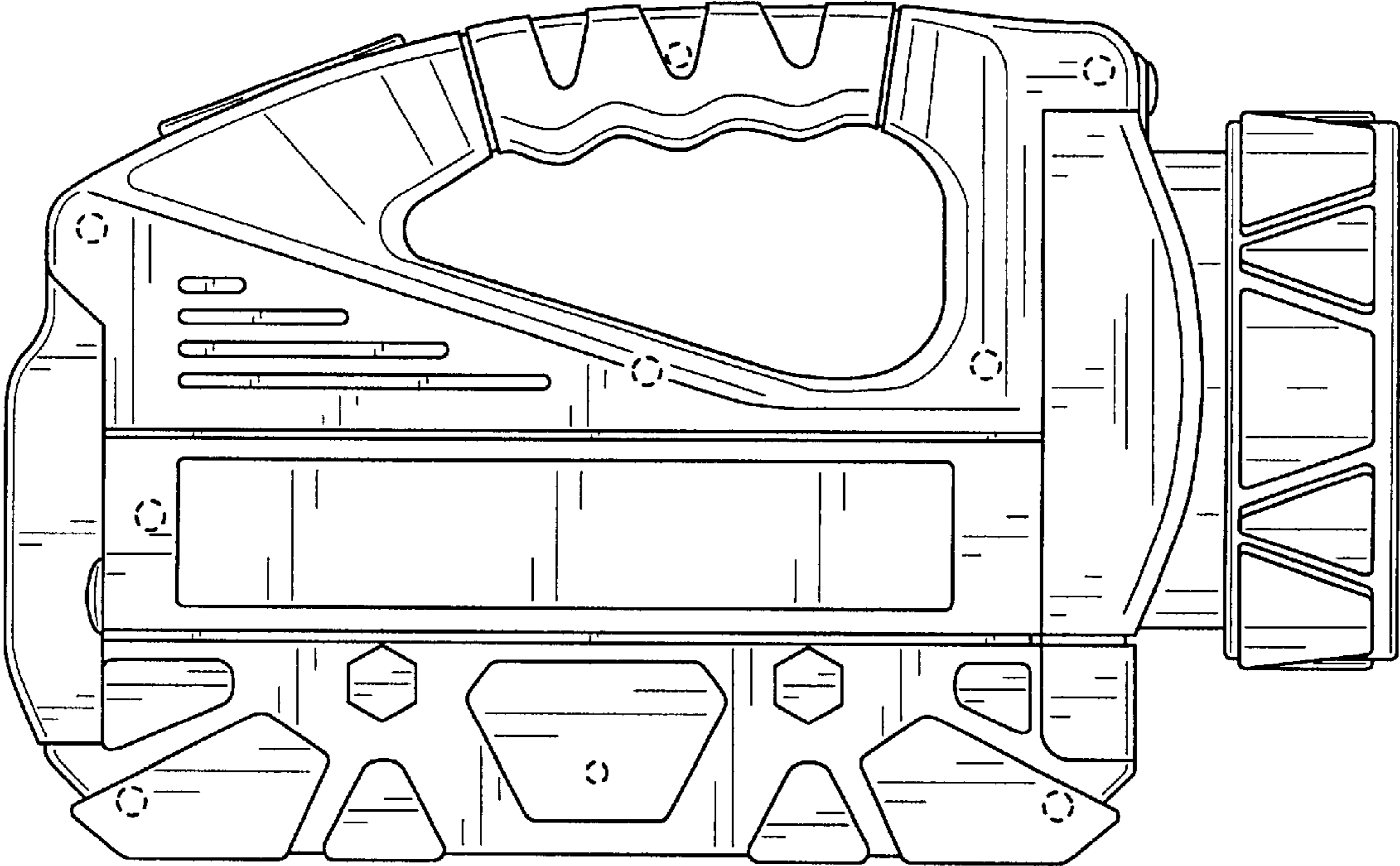


FIG. 4

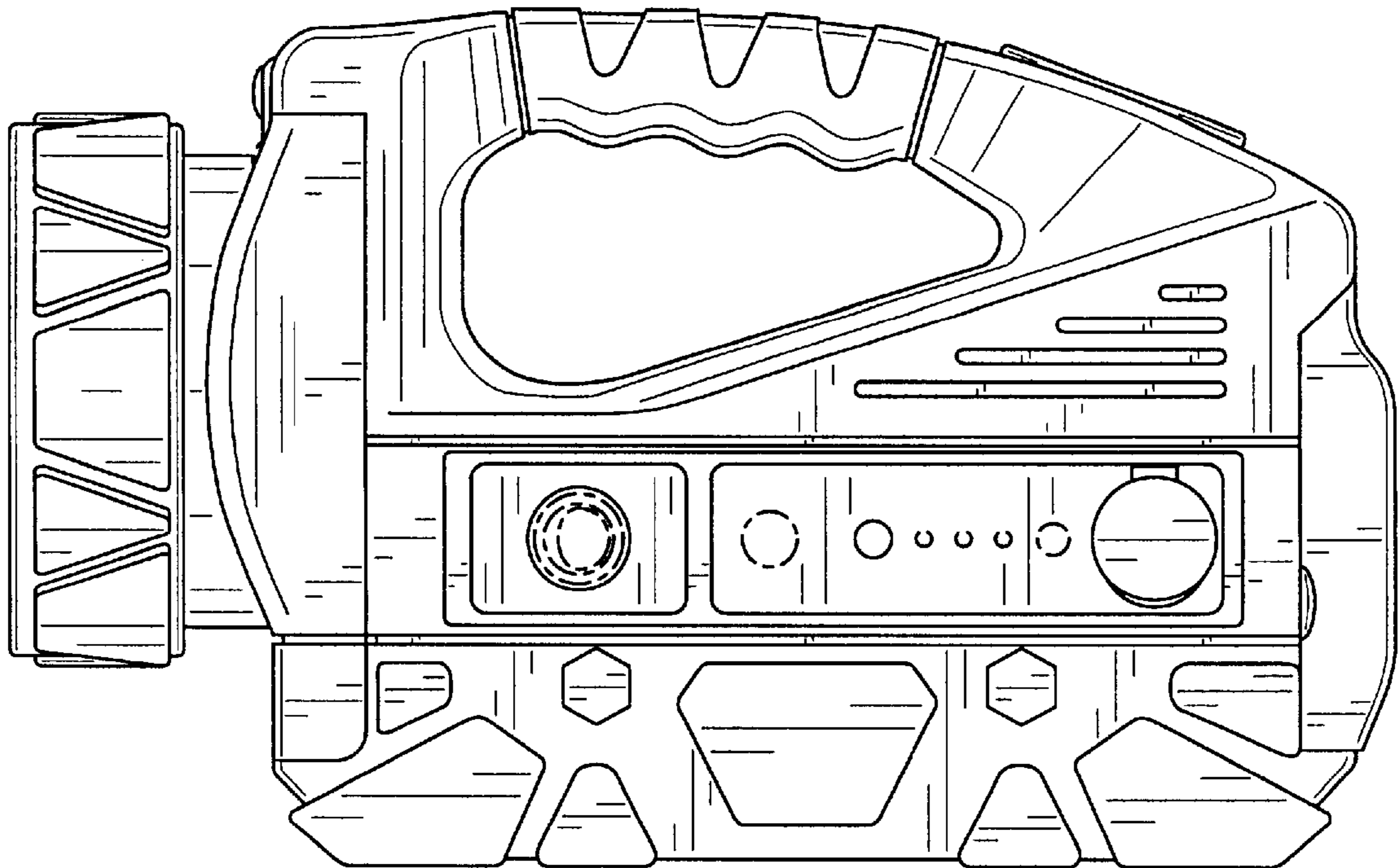


FIG. 5

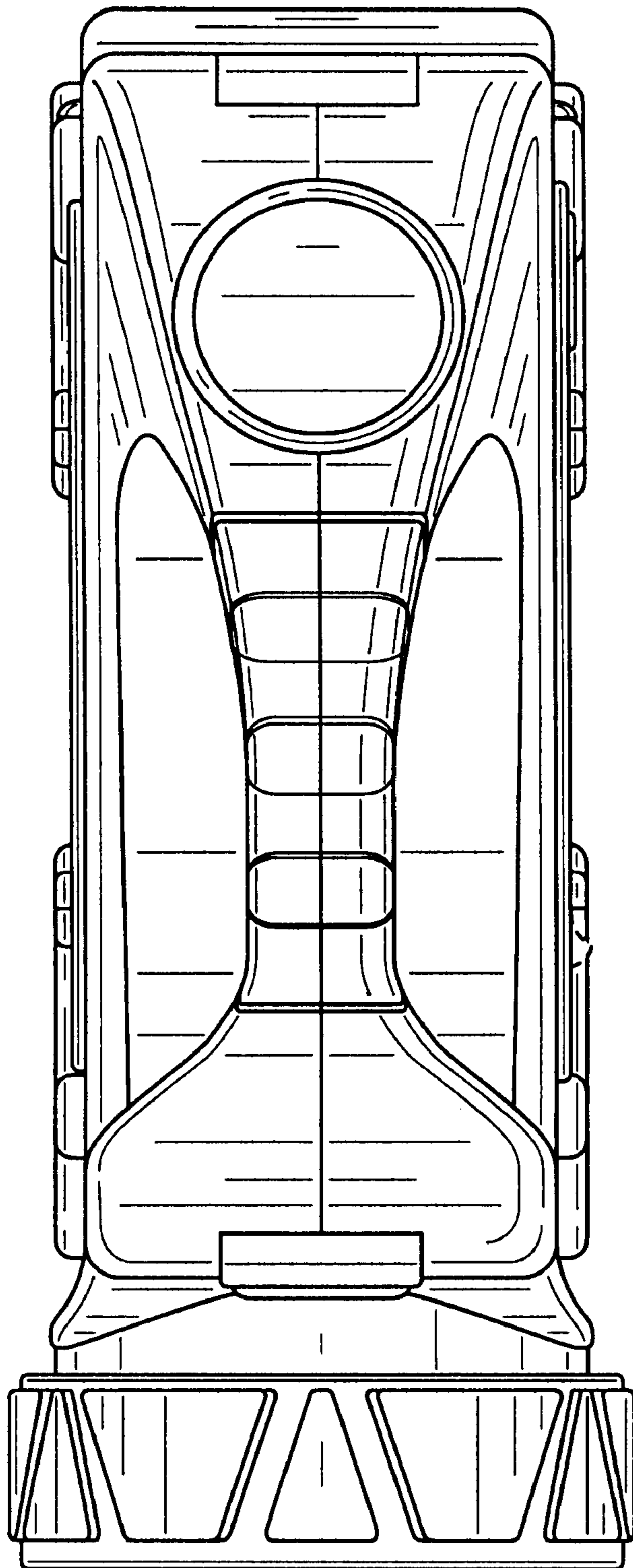


FIG. 6

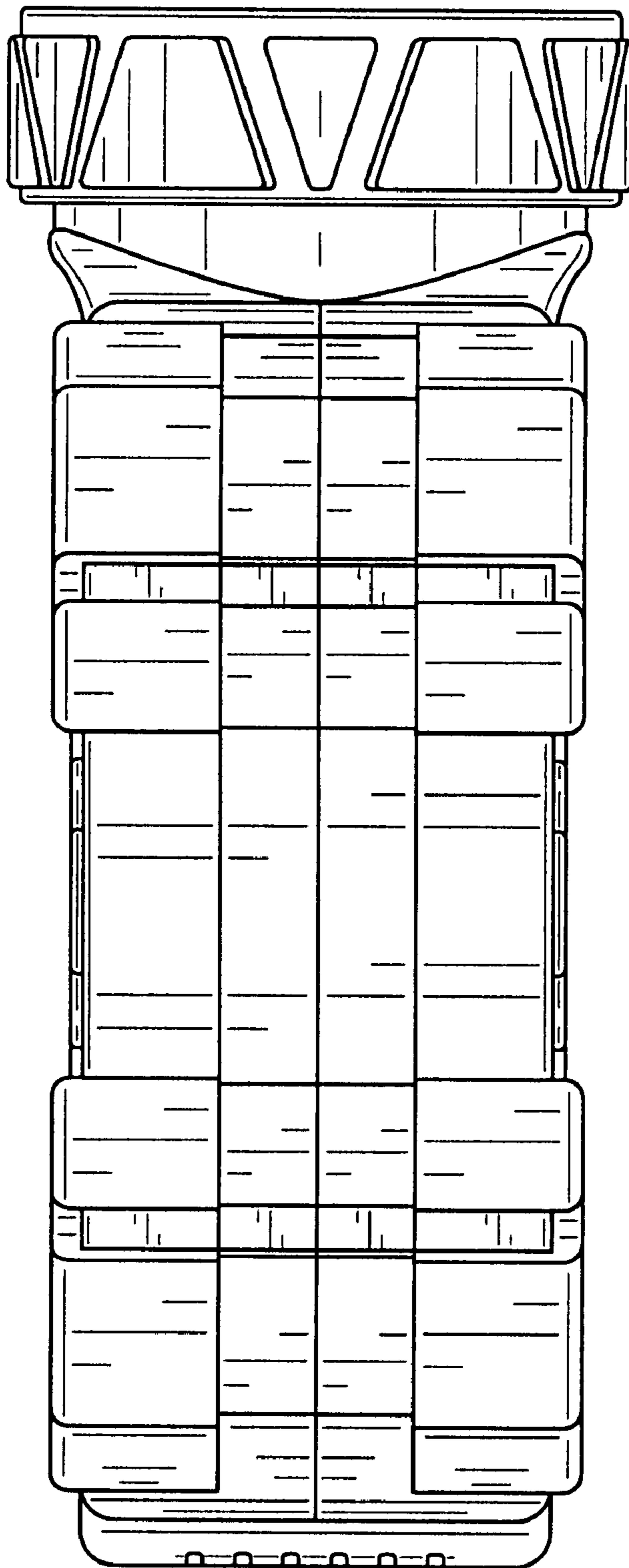


FIG. 7

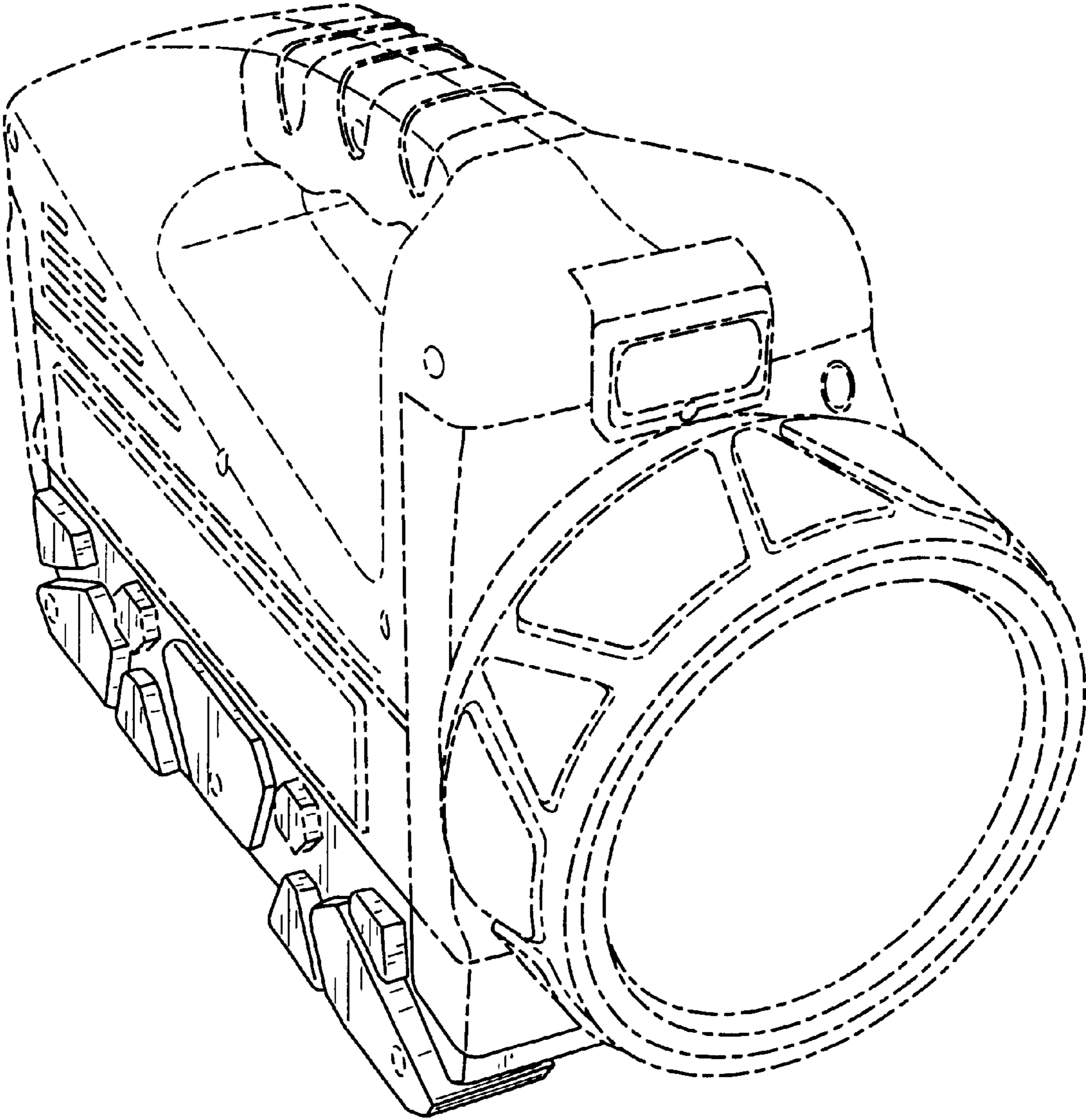


FIG. 8

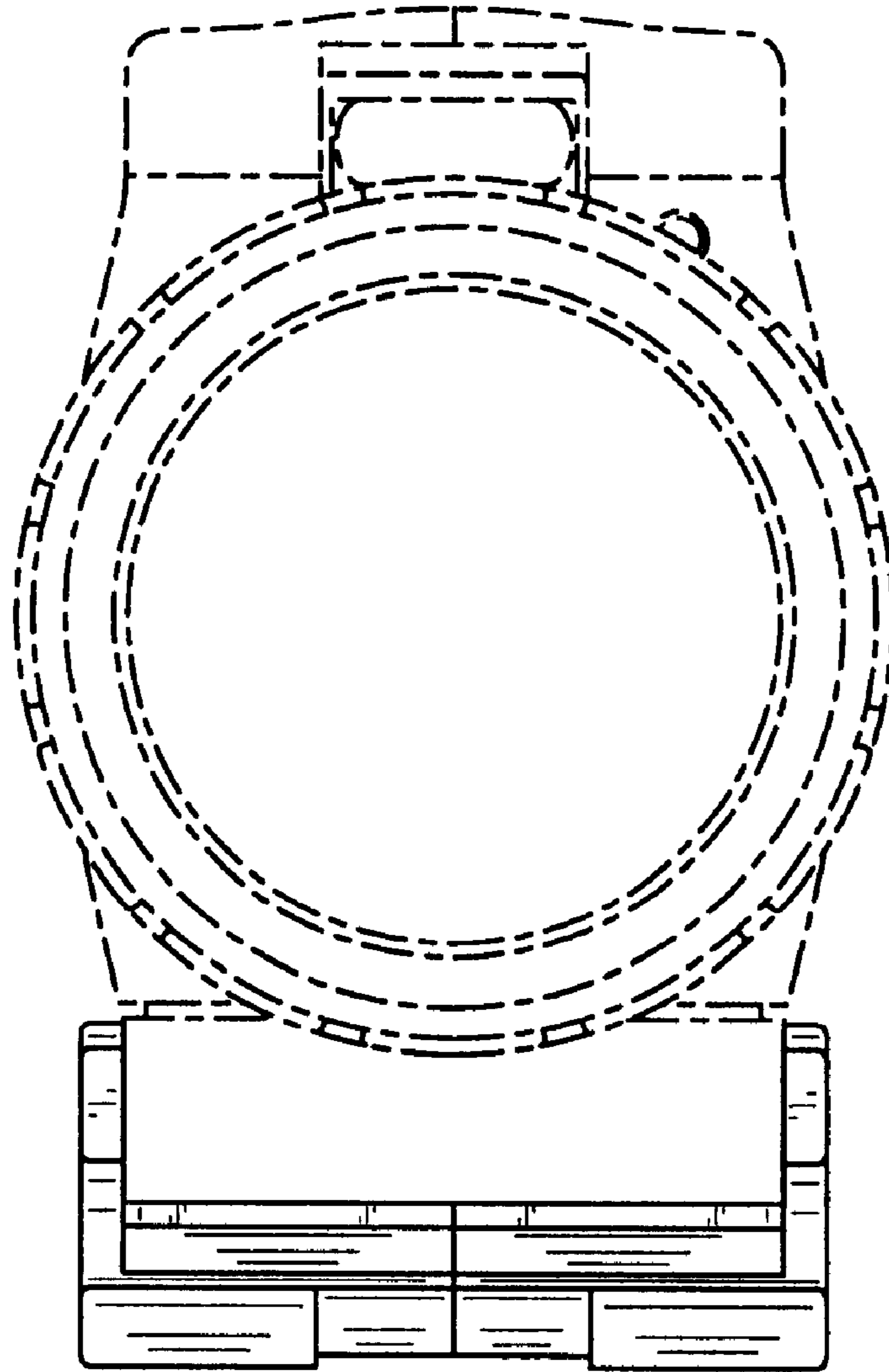


FIG. 9

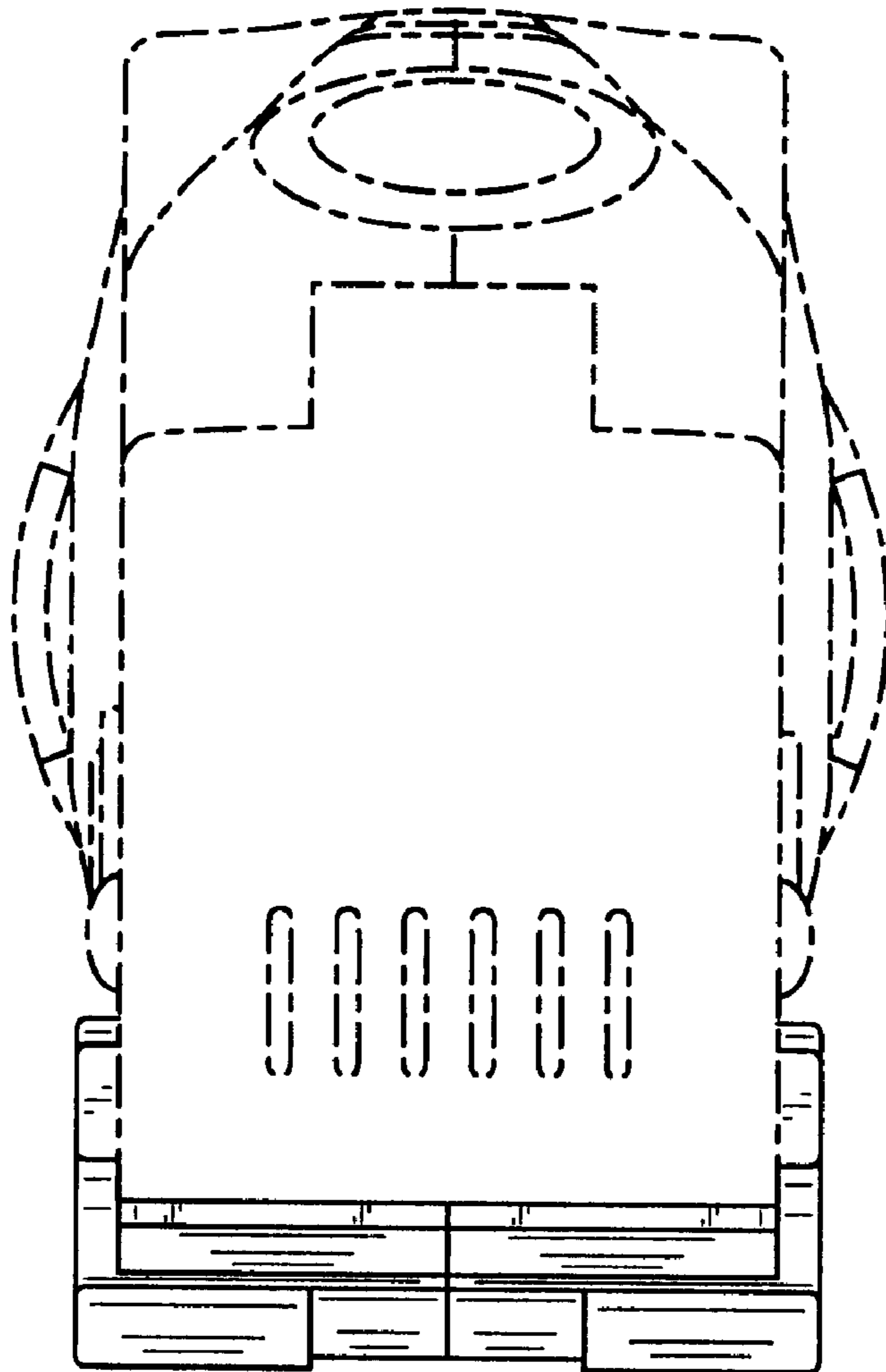


FIG. 10

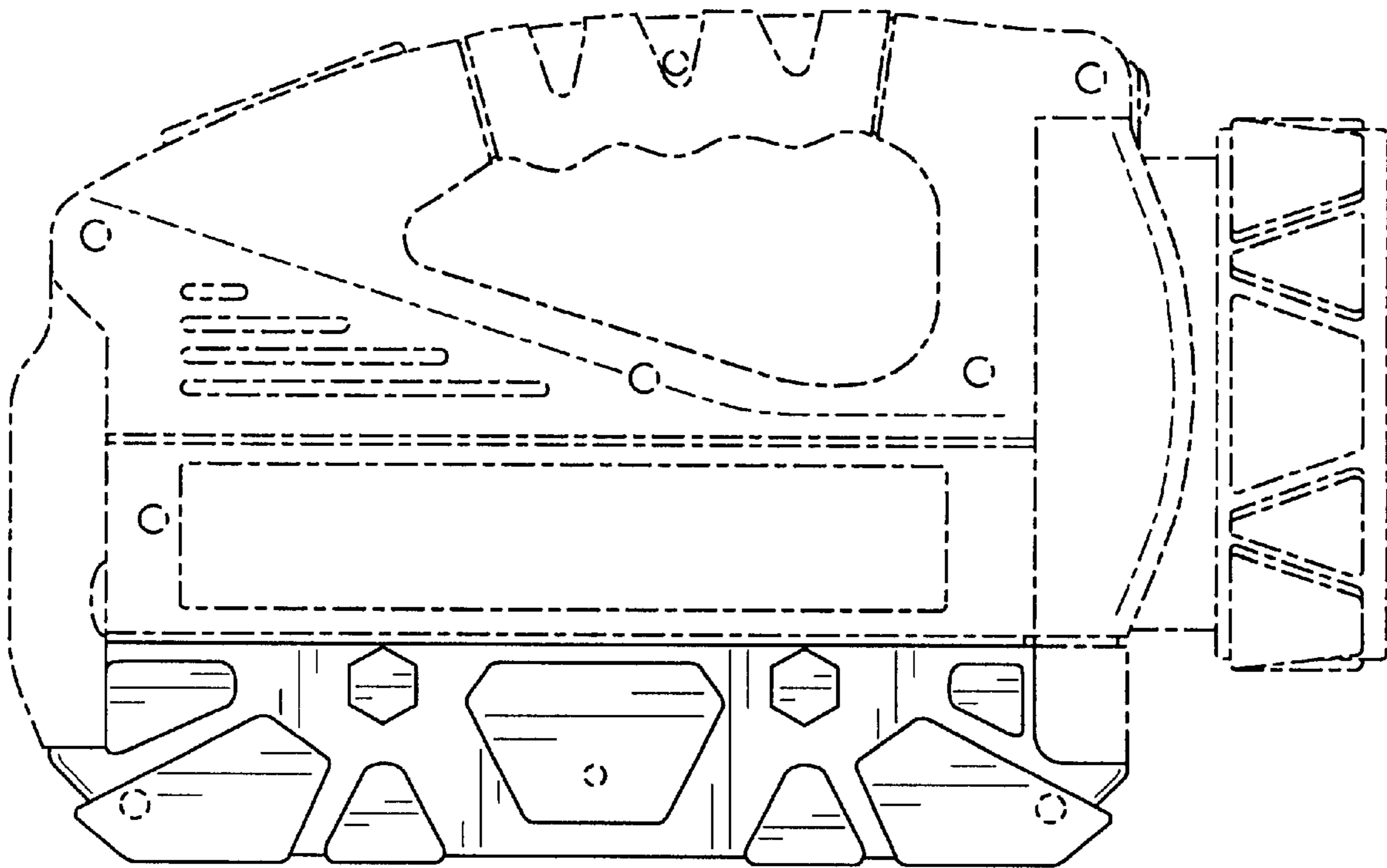


FIG. 11

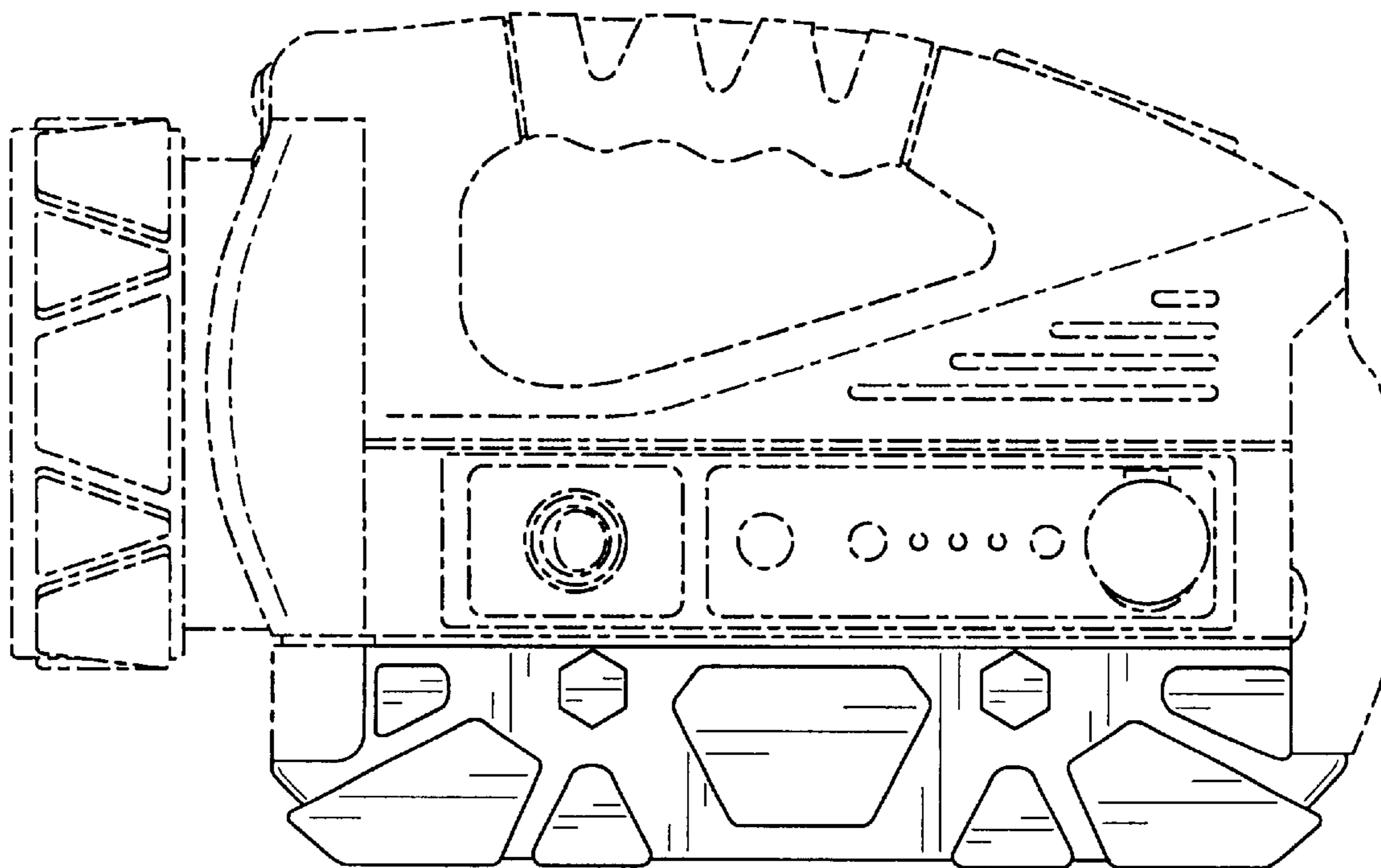


FIG. 12

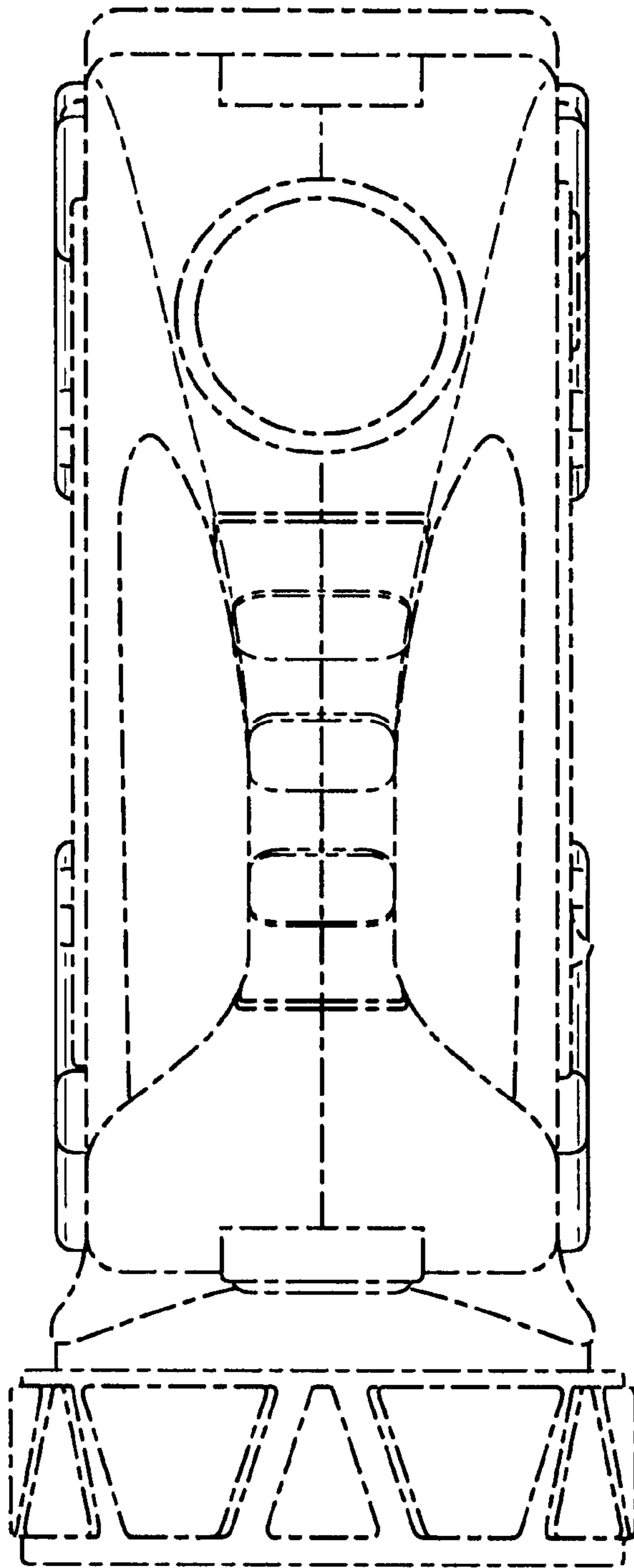


FIG. 13

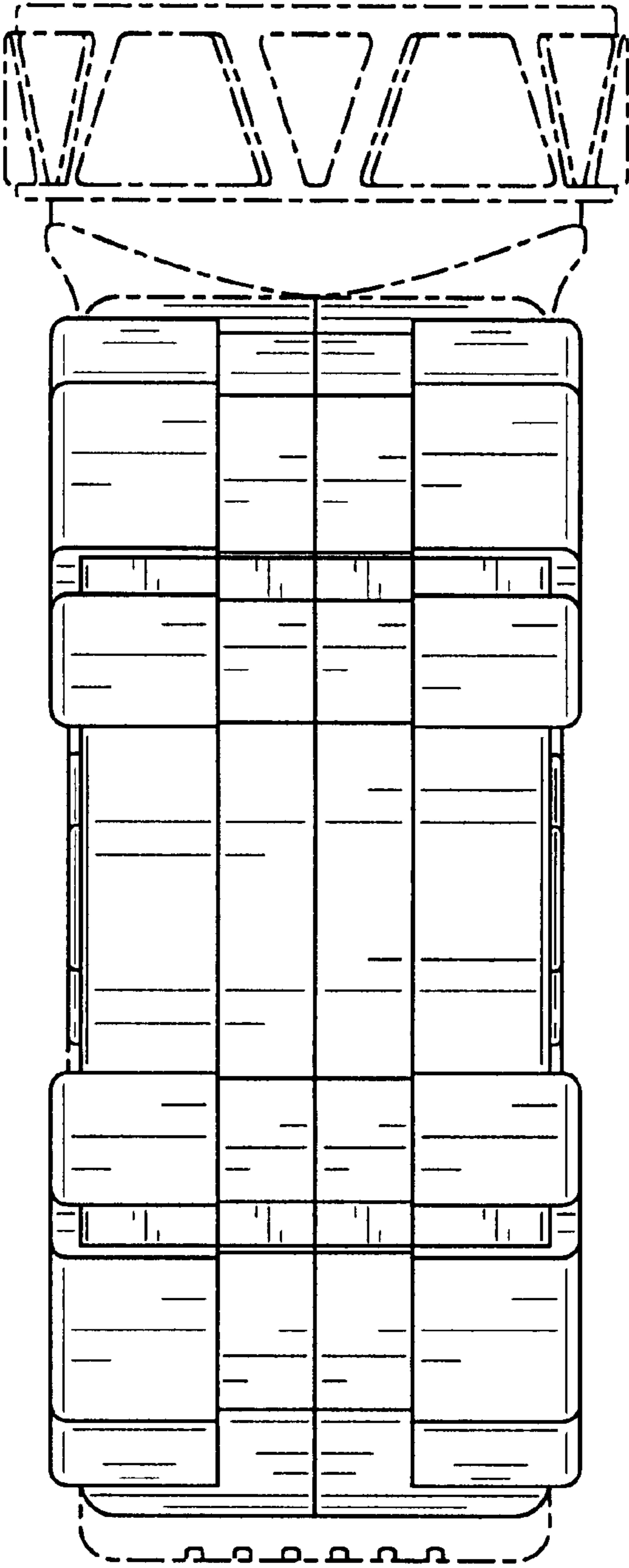


FIG. 14