

US00D542443S

(12) **United States Design Patent**  
**Matsunami**

(10) **Patent No.:** **US D542,443 S**

(45) **Date of Patent:** **\*\* May 8, 2007**

(54) **REAR COMBINATION LAMP OF AUTOMOBILES**

D481,476 S \* 10/2003 Liu ..... D26/28  
D489,835 S \* 5/2004 Lin ..... D26/28  
D506,842 S \* 6/2005 Nagura et al. .... D26/28  
D526,428 S \* 8/2006 Yagihashi ..... D26/28

(75) Inventor: **Hiroshi Matsunami**, Wako (JP)

\* cited by examiner

(73) Assignee: **Honda Motor Co., Ltd.**, Tokyo (JP)

*Primary Examiner*—Marcus A. Jackson

(\*\*) Term: **14 Years**

(74) *Attorney, Agent, or Firm*—Birch, Stewart, Kolasch & Birch, LLP

(21) Appl. No.: **29/262,168**

(22) Filed: **Jun. 28, 2006**

(57) **CLAIM**

(30) **Foreign Application Priority Data**

The ornamental design for a rear combination lamp of automobiles, as shown and described.

Dec. 28, 2005 (JP) ..... 2005-038848

**DESCRIPTION**

(51) **LOC (8) Cl.** ..... **26-06**

(52) **U.S. Cl.** ..... **D26/28**

(58) **Field of Classification Search** ..... D26/28-36;  
362/459-468, 475-478, 485-487

See application file for complete search history.

FIG. 1 is a front view of a rear combination lamp of automobiles showing my new design;  
FIG. 2 is a right side view thereof; and,  
FIG. 3 is a front perspective view thereof.

The broken lines shown in FIGS. 1-3 are for the purpose of showing environmental structure only and form no part of the claimed design.

(56) **References Cited**

**U.S. PATENT DOCUMENTS**

D476,758 S \* 7/2003 Lin ..... D26/28

**1 Claim, 2 Drawing Sheets**

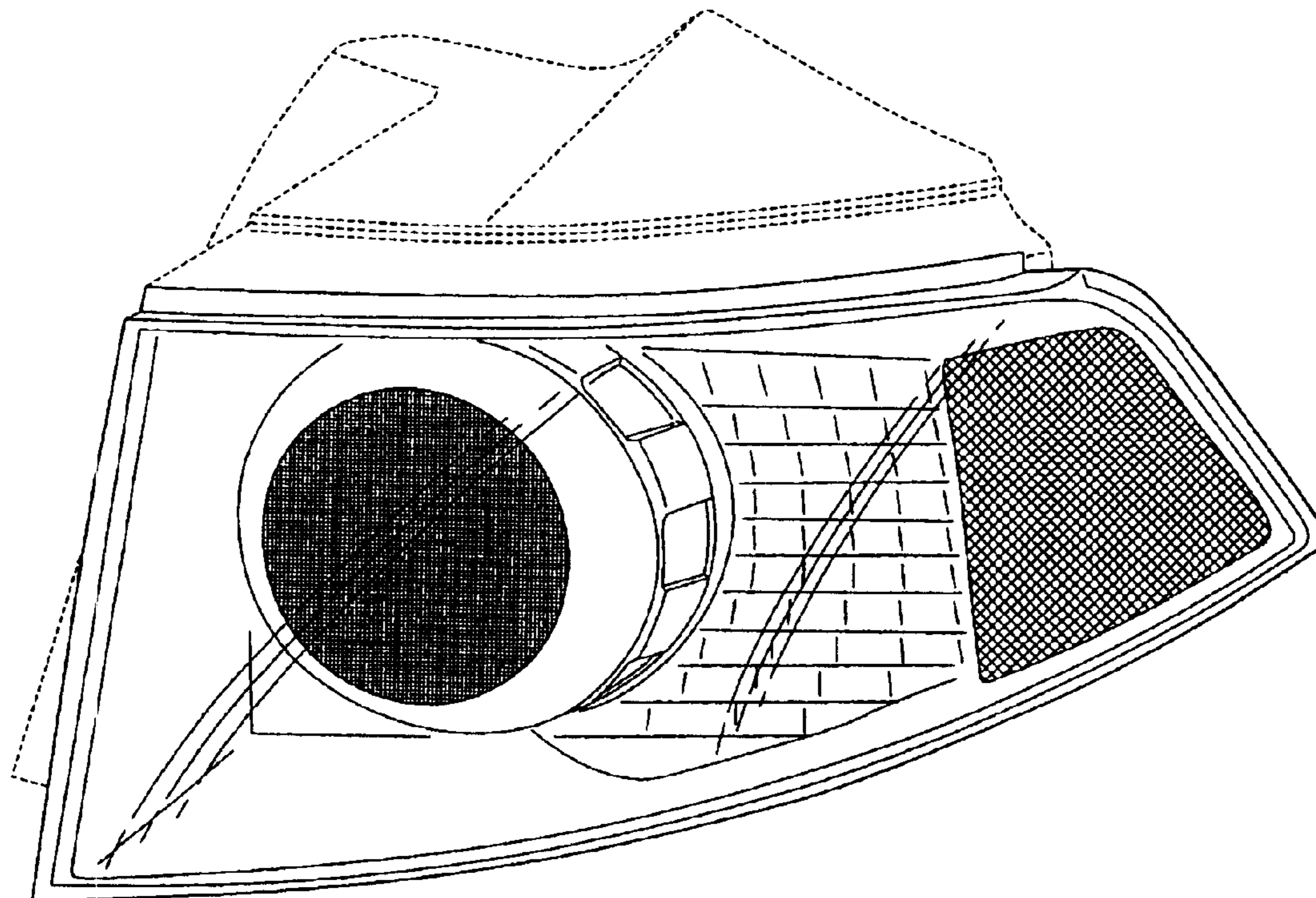


FIG.1

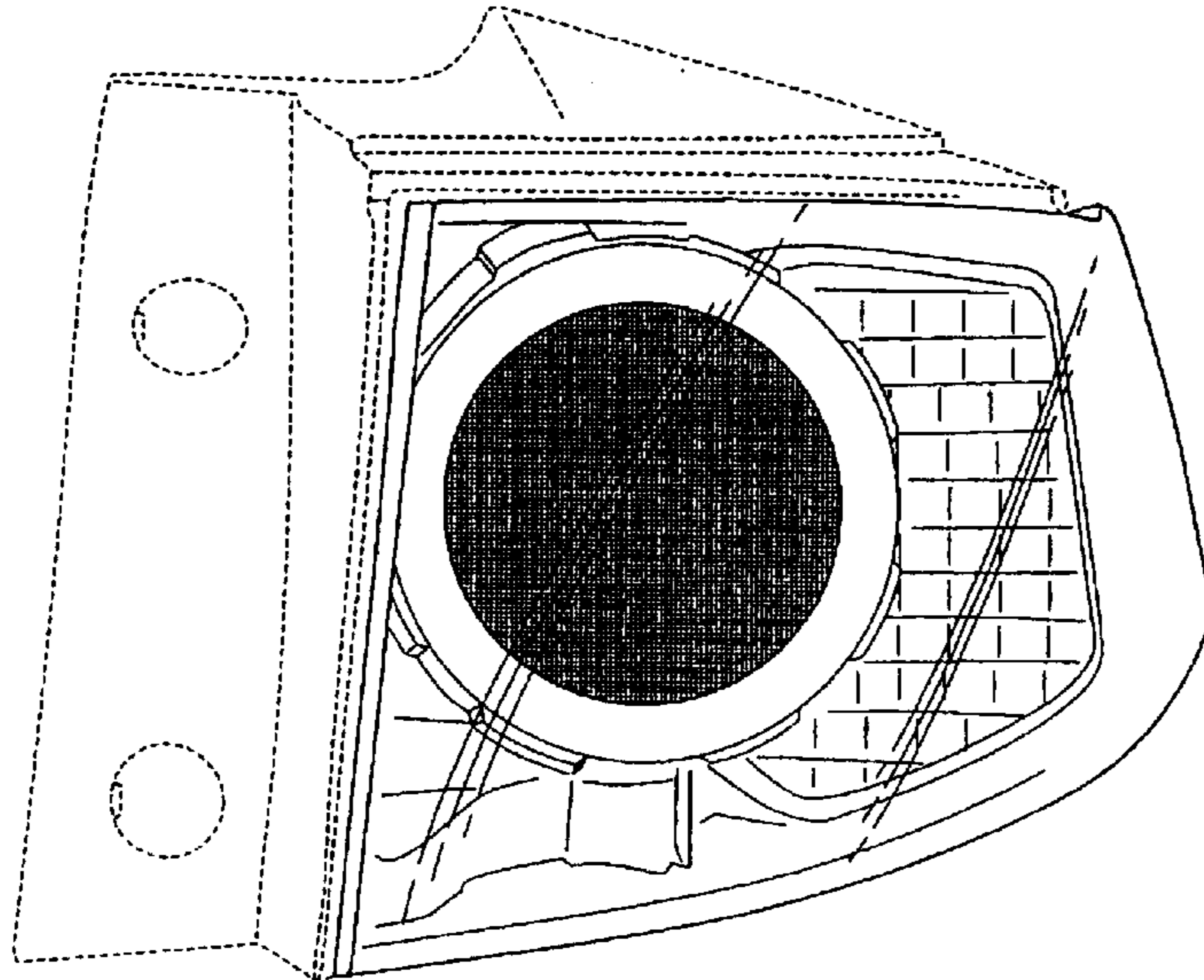


FIG.2

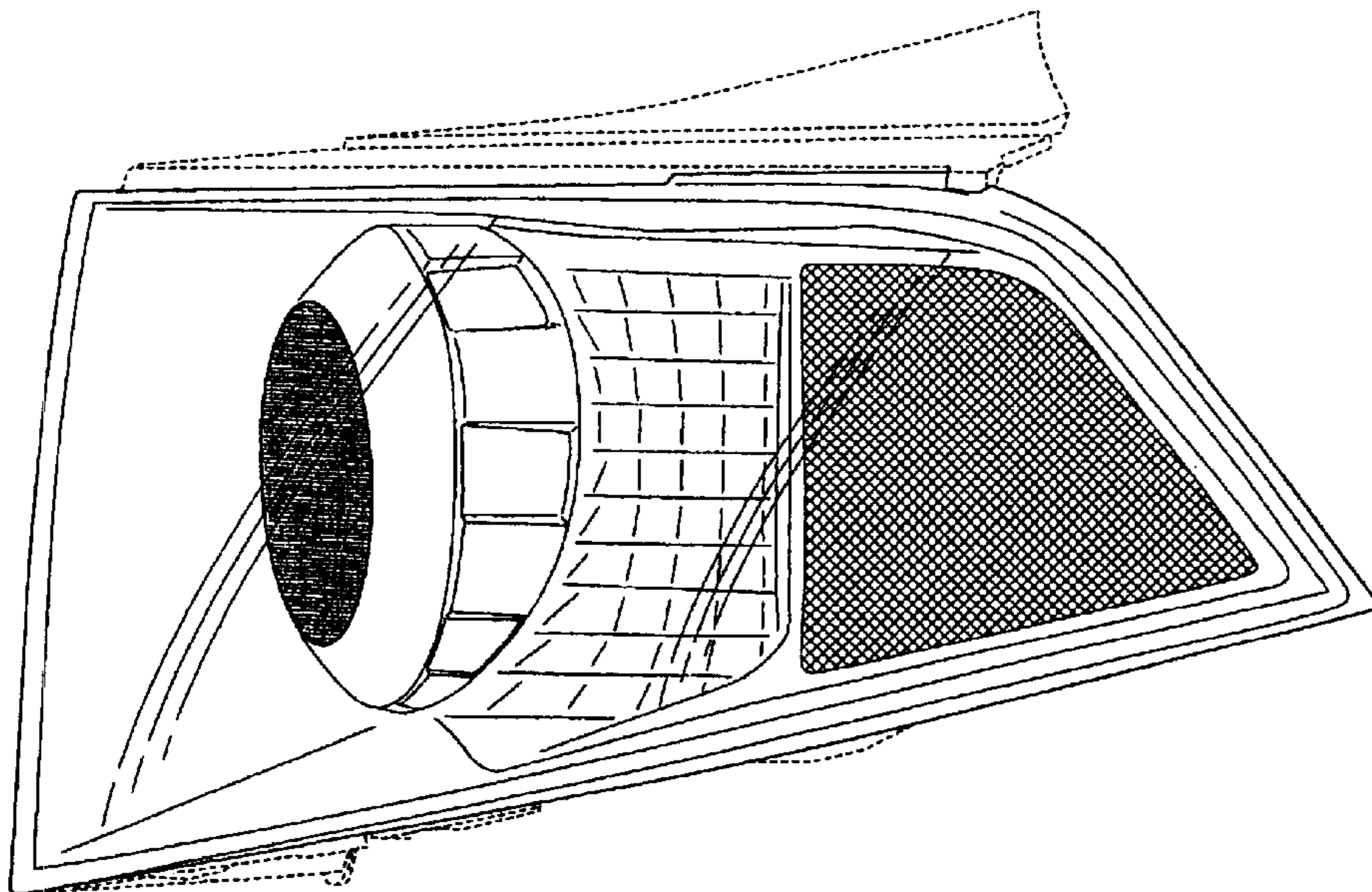


FIG.3

