

US00D542441S

(12) **United States Design Patent**
Pan

(10) **Patent No.:** **US D542,441 S**

(45) **Date of Patent:** **** May 8, 2007**

(54) **REAR LIGHT FOR A TRUCK**

D414,885 S * 10/1999 Chung D26/28
D515,228 S * 2/2006 Gebhard et al. D26/28

(75) Inventor: **Ko-Chun Pan**, Tainan (TW)

* cited by examiner

(73) Assignee: **Lucidity Enterprise Co., Ltd.**, Tainan (TW)

Primary Examiner—Marcus A. Jackson

(**) Term: **14 Years**

(57) **CLAIM**

(21) Appl. No.: **29/261,176**

The ornamental design for a rear light for a truck, as shown as described.

(22) Filed: **Jun. 9, 2006**

DESCRIPTION

(51) **LOC (8) Cl.** **26-06**

(52) **U.S. Cl.** **D26/28**

(58) **Field of Classification Search** D26/28-36;
362/459-468, 475-478, 485-487

See application file for complete search history.

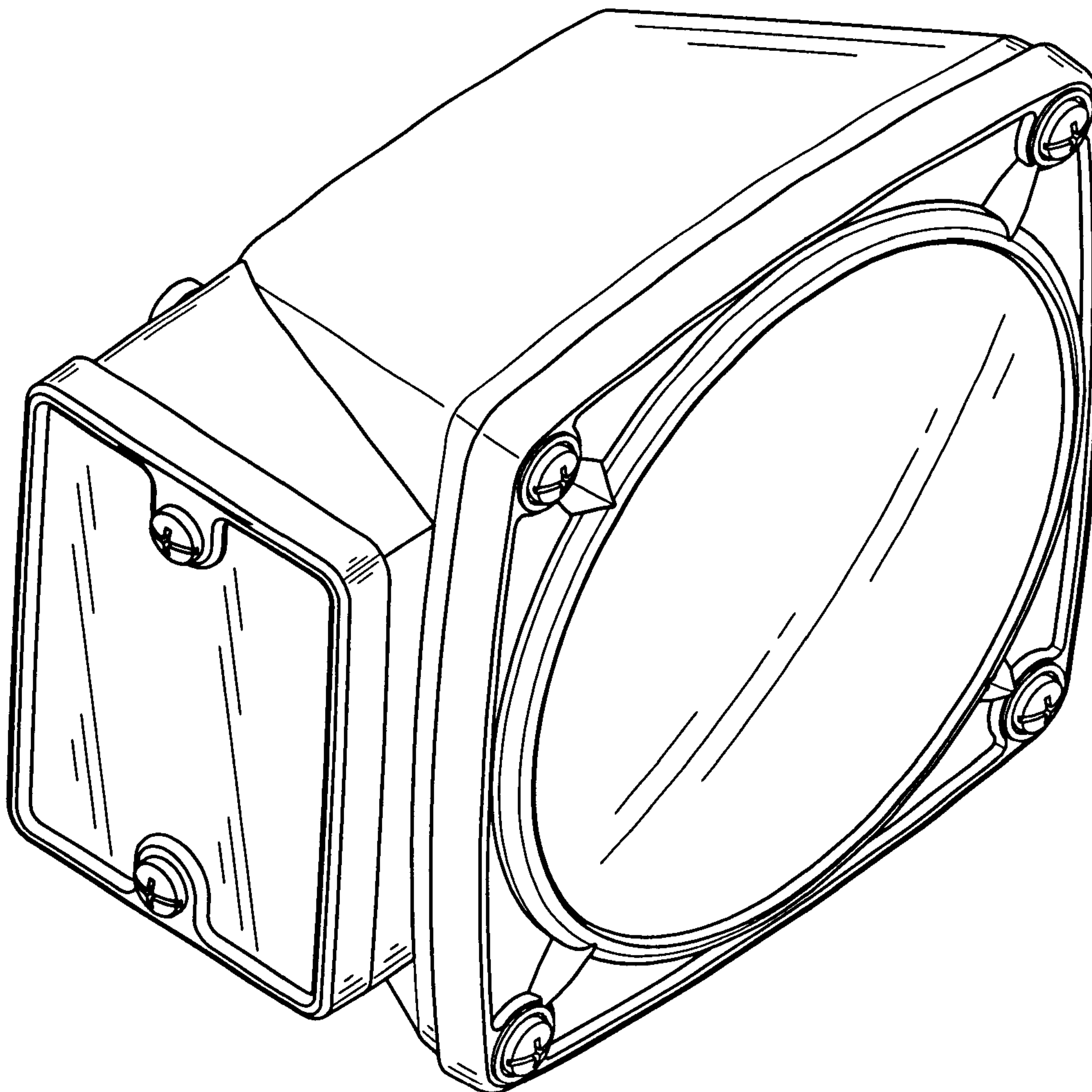
FIG. 1 is a perspective view of a rear light for a truck showing my design;
FIG. 2 is a front elevational view thereof;
FIG. 3 is a rear elevational view thereof;
FIG. 4 is a left side elevational view thereof;
FIG. 5 is a right side elevational view thereof;
FIG. 6 is a top plan view thereof; and,
FIG. 7 is a bottom plan view thereof.

(56) **References Cited**

U.S. PATENT DOCUMENTS

D413,689 S * 9/1999 Hussaini et al. D26/29

1 Claim, 4 Drawing Sheets



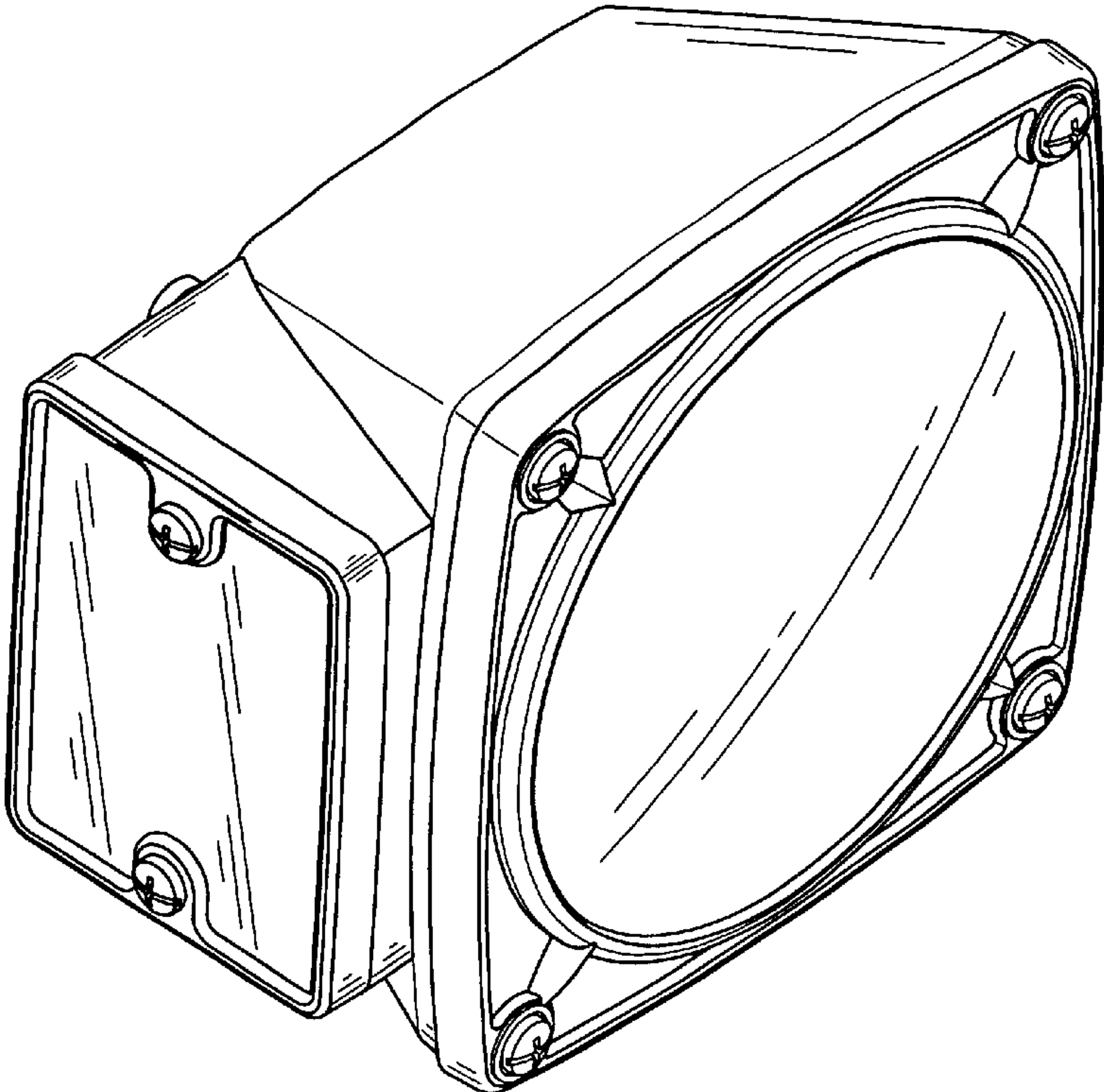


FIG.1

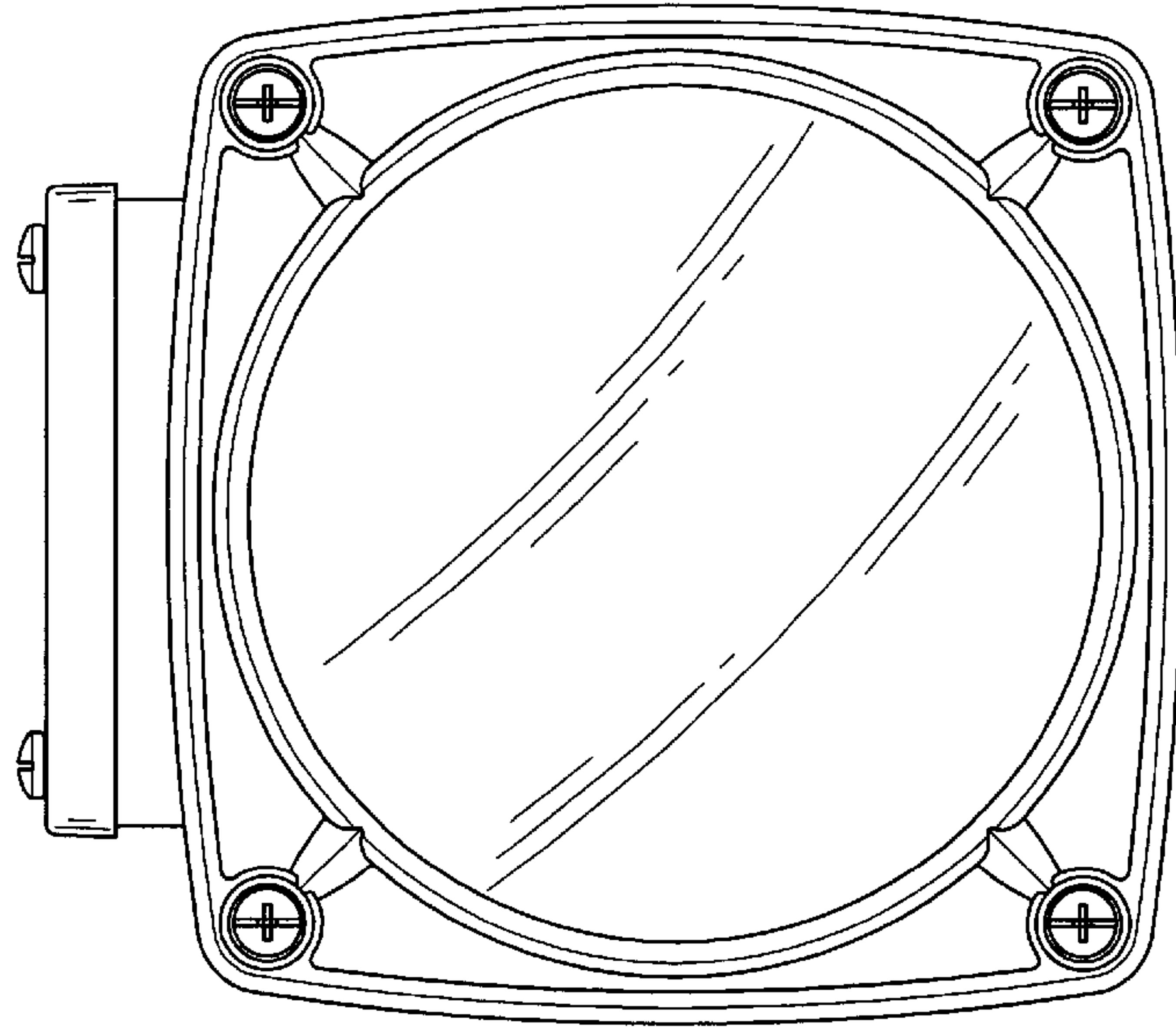


FIG. 2

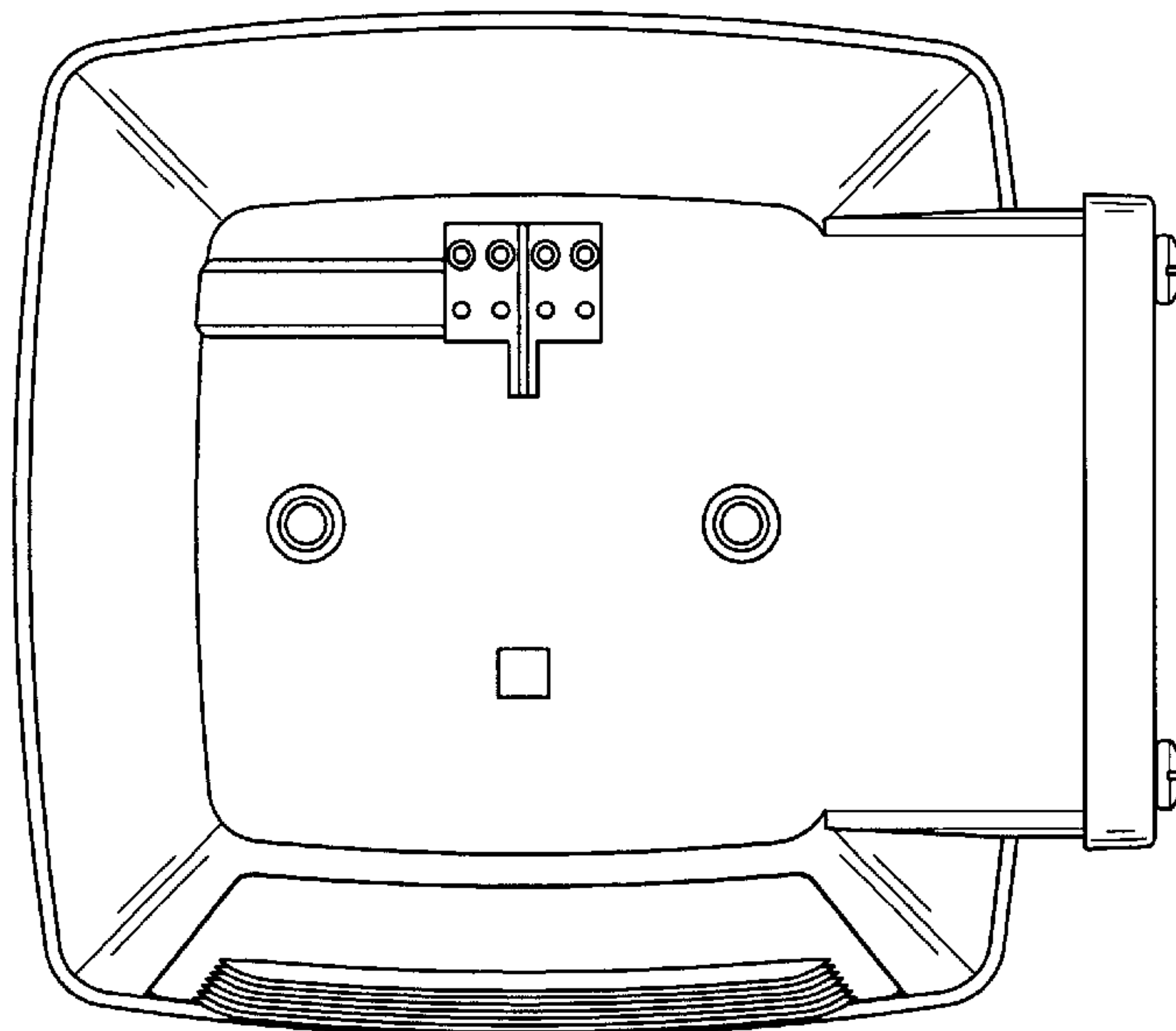


FIG. 3

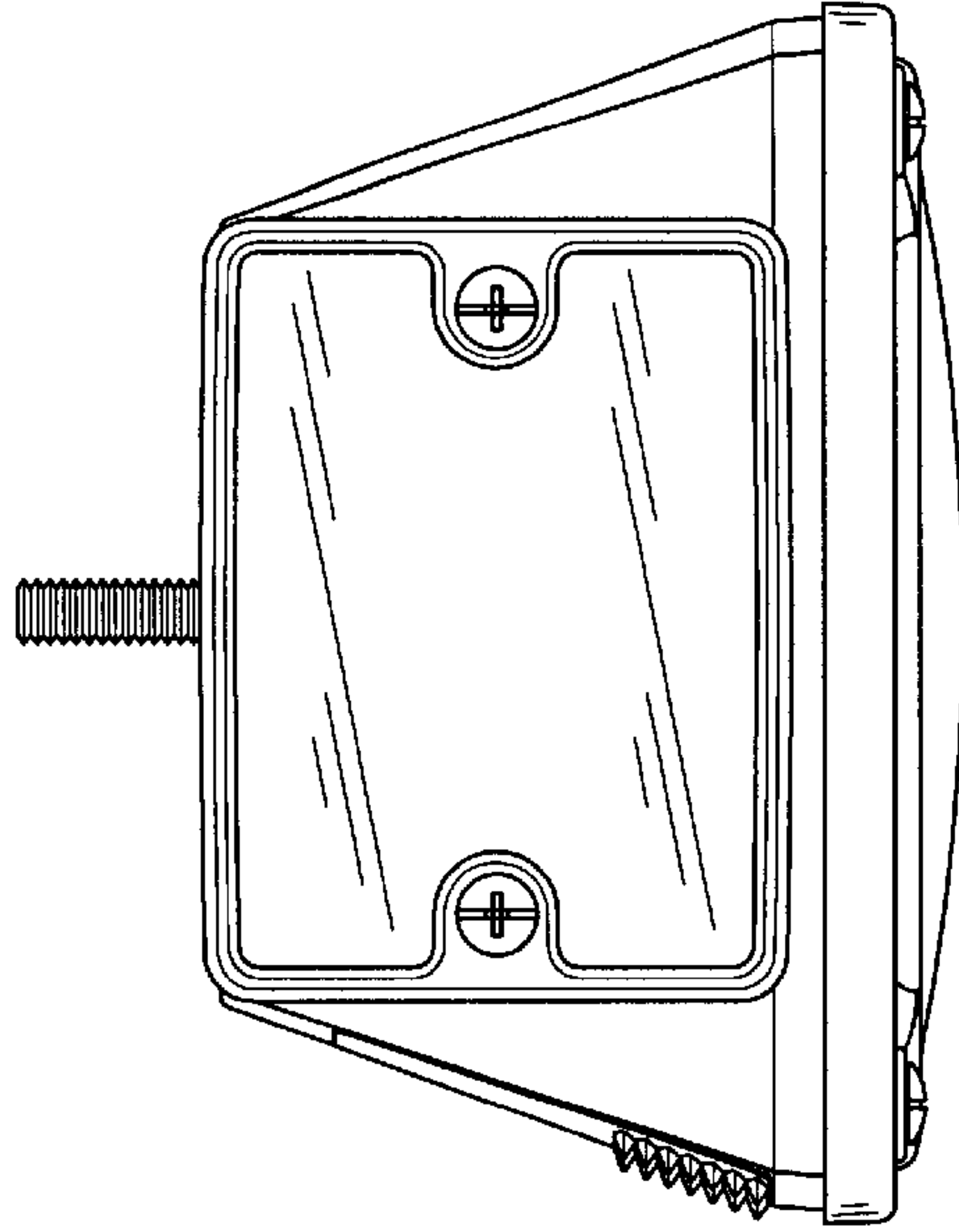


FIG. 4

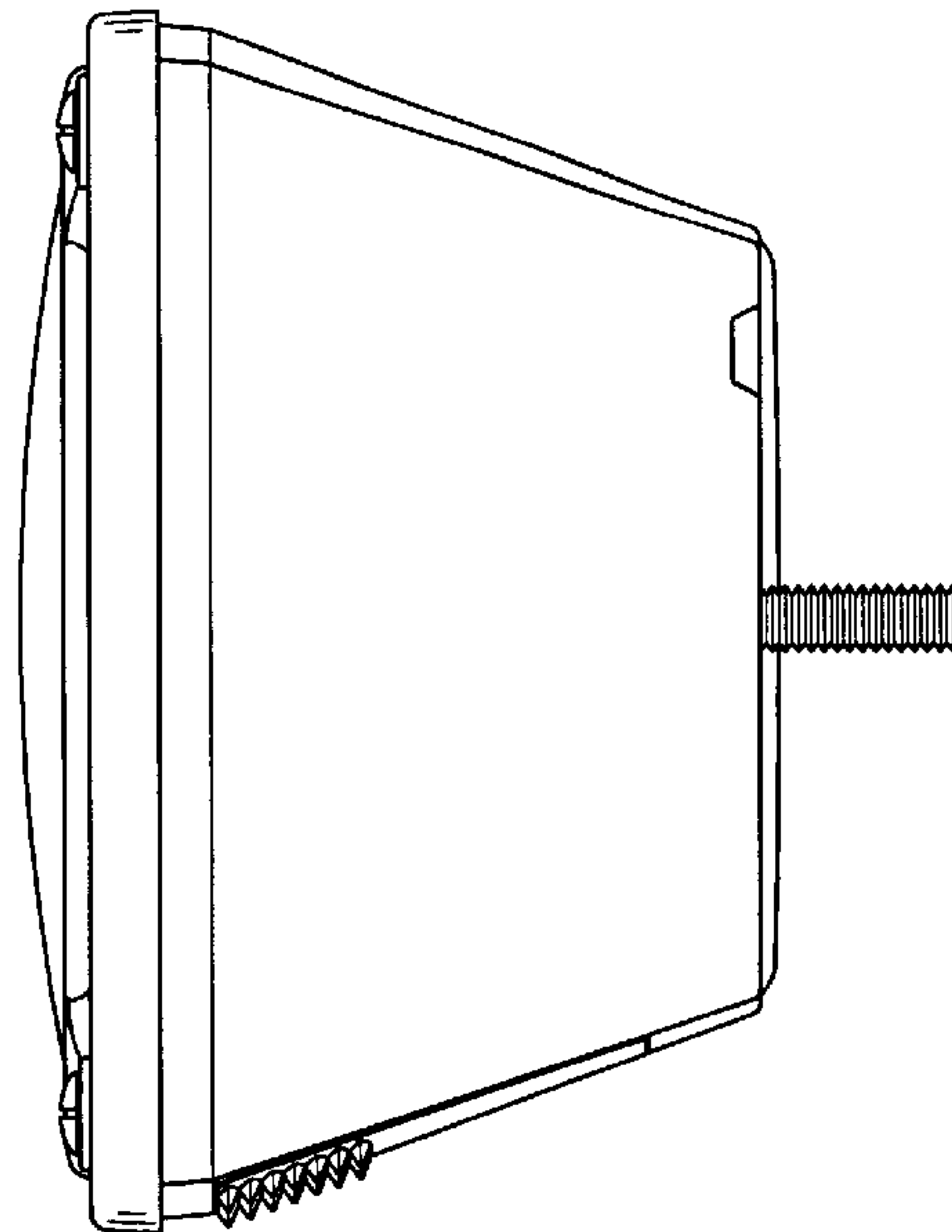


FIG. 5

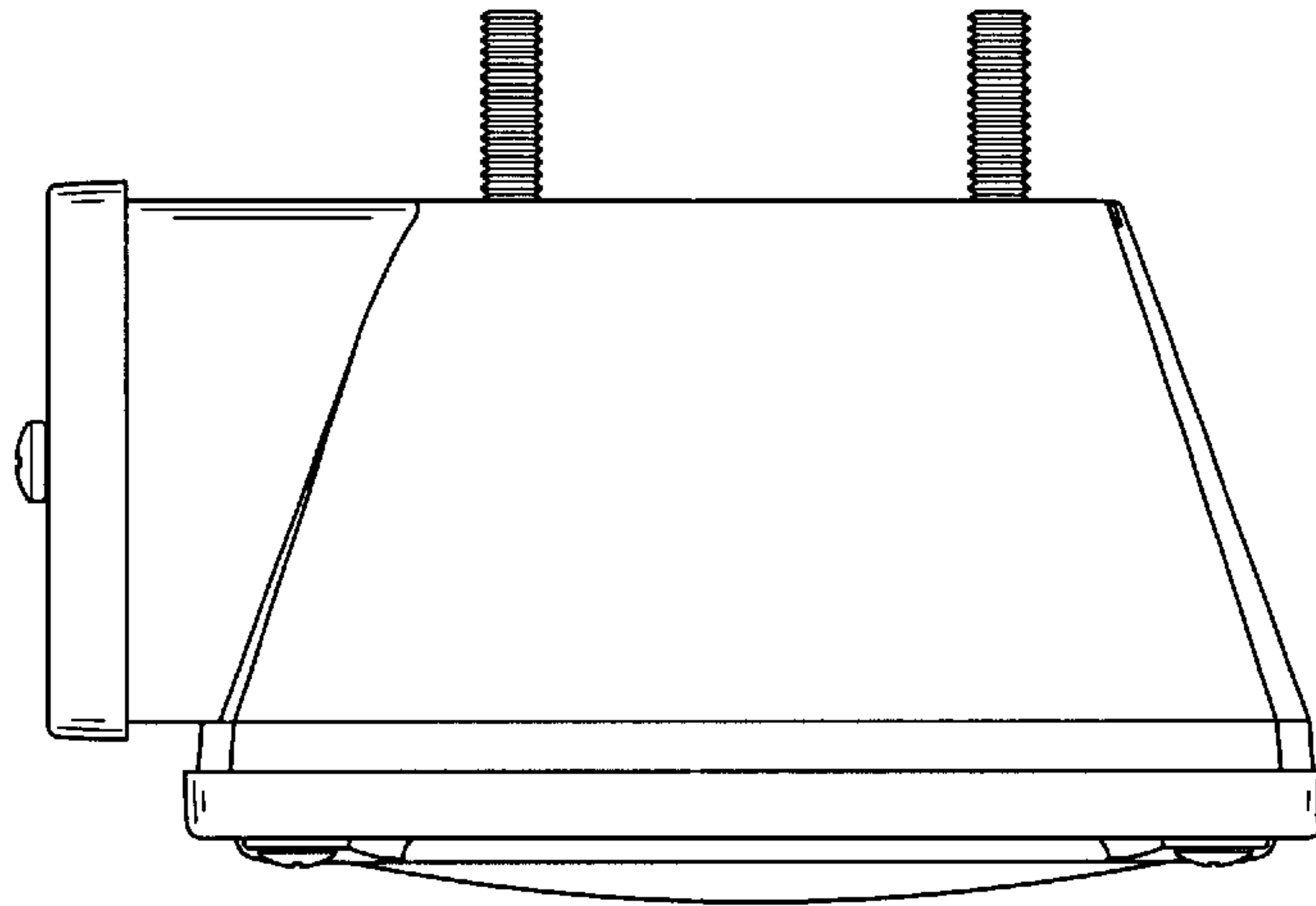


FIG. 6

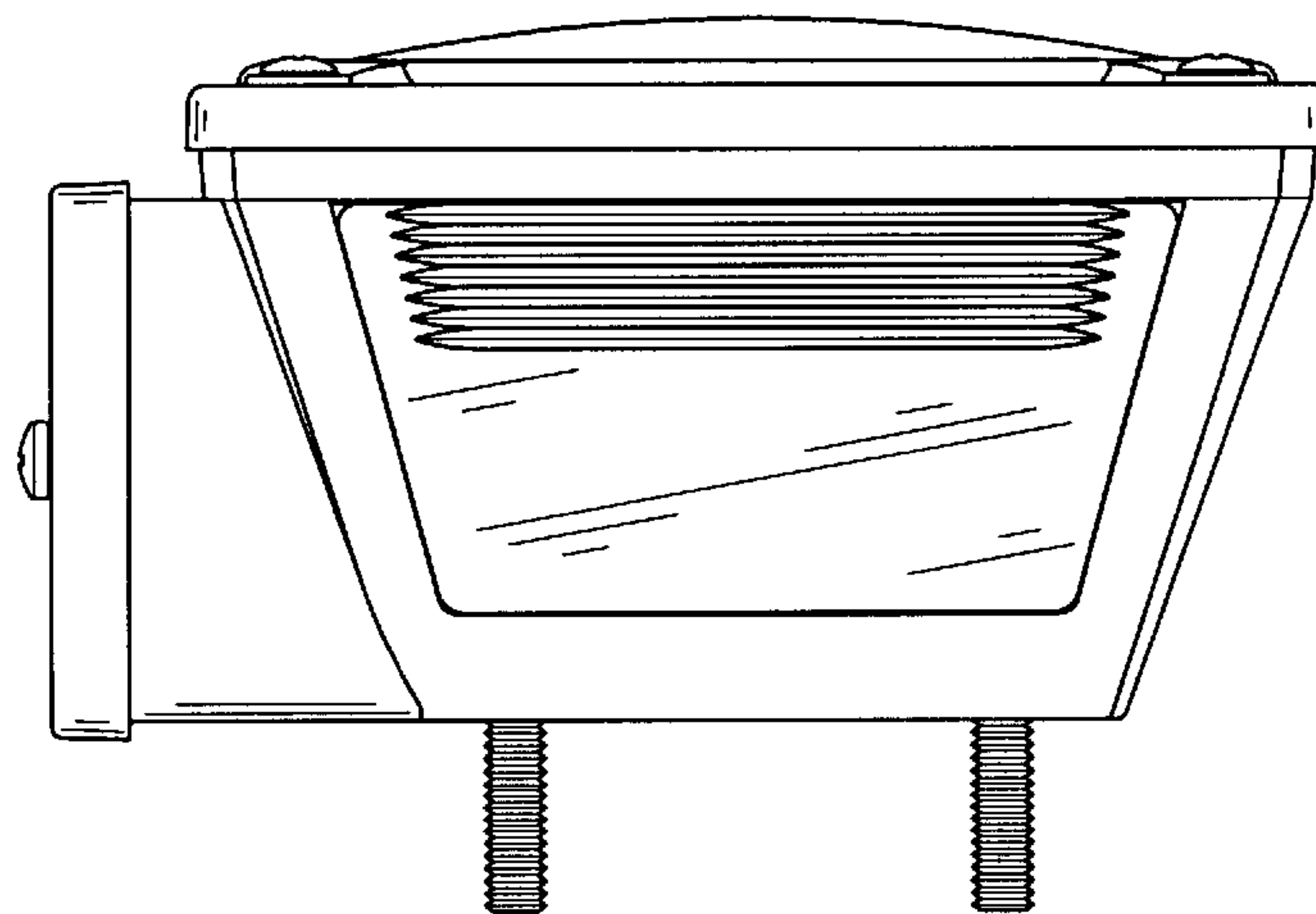


FIG. 7