

US00D542440S

(12) **United States Design Patent**
Krieger et al.

(10) **Patent No.:** **US D542,440 S**

(45) **Date of Patent:** **** May 8, 2007**

(54) **POWERFAIL LIGHT**

(75) Inventors: **Michael Krieger**, Miami Beach, FL (US); **Kevin Ellsworth**, Alva, FL (US)

(73) Assignee: **Black & Decker Inc.**, Newark, DE (US)

(**) Term: **14 Years**

(21) Appl. No.: **29/256,135**

(22) Filed: **Mar. 17, 2006**

(51) **LOC (8) Cl.** **26-05**

(52) **U.S. Cl.** **D26/26; D26/37**

(58) **Field of Classification Search** D26/1, D26/2, 24, 25, 26, 37, 50, 72, 77, 80-1, 83, D26/85-6, 88-9, 102, 118, 120-4, 152; D13/180, D13/182; 362/84, 157, 183-4, 227, 235-7, 362/249, 257, 317, 341-2, 551, 555, 611-3, 362/640-1, 644, 652, 800

See application file for complete search history.

(56) **References Cited**

U.S. PATENT DOCUMENTS

D223,282 S *	4/1972	Andre	D26/63
D273,048 S *	3/1984	Chan	D26/37
D281,818 S *	12/1985	Zurwelle	D26/37
D384,175 S *	9/1997	Liu	D26/38
D426,328 S *	6/2000	Yuen	D26/26
D434,512 S *	11/2000	Yuen	D26/37
D445,925 S *	7/2001	Parker	D26/37
6,350,040 B1 *	2/2002	Parker	362/183
D500,528 S *	1/2005	Morris et al.	D21/324
6,979,098 B2 *	12/2005	Petzl et al.	362/177
2003/0151914 A1 *	8/2003	Kish et al.	362/183
2004/0090774 A1 *	5/2004	Hsueh	362/183

OTHER PUBLICATIONS

Vector Catalog 2005, one page in the Lighting Section (Published Nov. 2004).

* cited by examiner

Primary Examiner—Alan P. Douglas

Assistant Examiner—Angela J. Lee

(74) *Attorney, Agent, or Firm*—Venable LLP; Robert Kinberg

(57) **CLAIM**

The ornamental design for a powerfail light, as shown and described.

DESCRIPTION

FIG. 1 is a perspective view from the front-top-left side of the powerfail light showing the first embodiment of our new design;

FIG. 2 is a front view of the design shown in FIG. 1;

FIG. 3 is a rear view of the design shown in FIG. 1;

FIG. 4 is a left side view of the design shown in FIG. 1;

FIG. 5 is a right side view of the design shown in FIG. 1;

FIG. 6 is a top view of the design shown in FIG. 1;

FIG. 7 is a bottom view of the design shown in FIG. 1;

FIG. 8 is a perspective view from the front-top-left side of the powerfail light showing the second embodiment of our new design;

FIG. 9 is a front view of the design shown in FIG. 8;

FIG. 10 is a rear view of the design shown in FIG. 8;

FIG. 11 is a left side view of the design shown in FIG. 8;

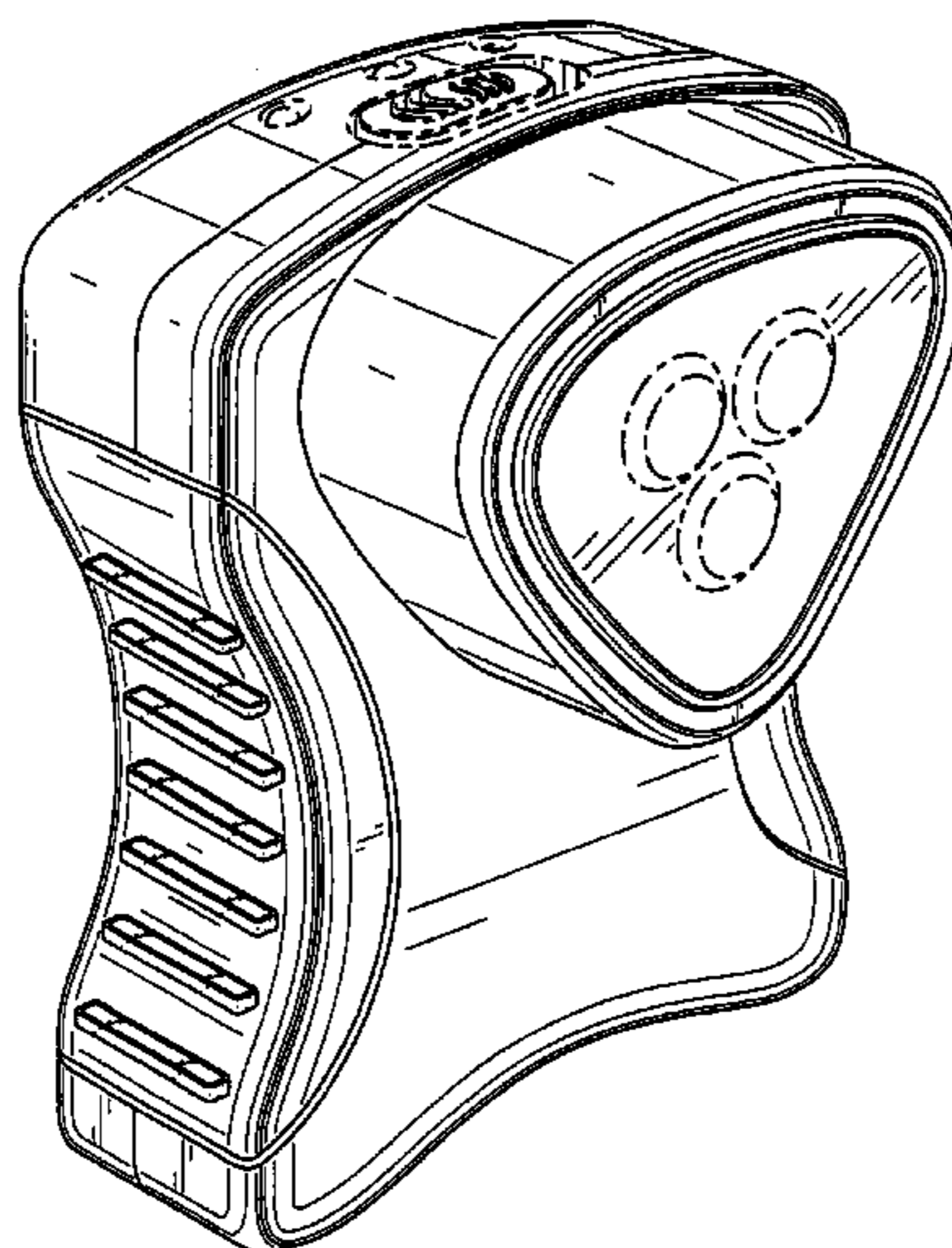
FIG. 12 is a right side view of the design shown in FIG. 8;

FIG. 13 is a top view of the design shown in FIG. 8; and,

FIG. 14 is a bottom view of the design shown in FIG. 8.

The broken lines immediately adjacent the shaded areas represent the bounds of the claimed design while all other broken lines are for illustrative purposes only; the broken lines form no part of the claimed design.

1 Claim, 12 Drawing Sheets



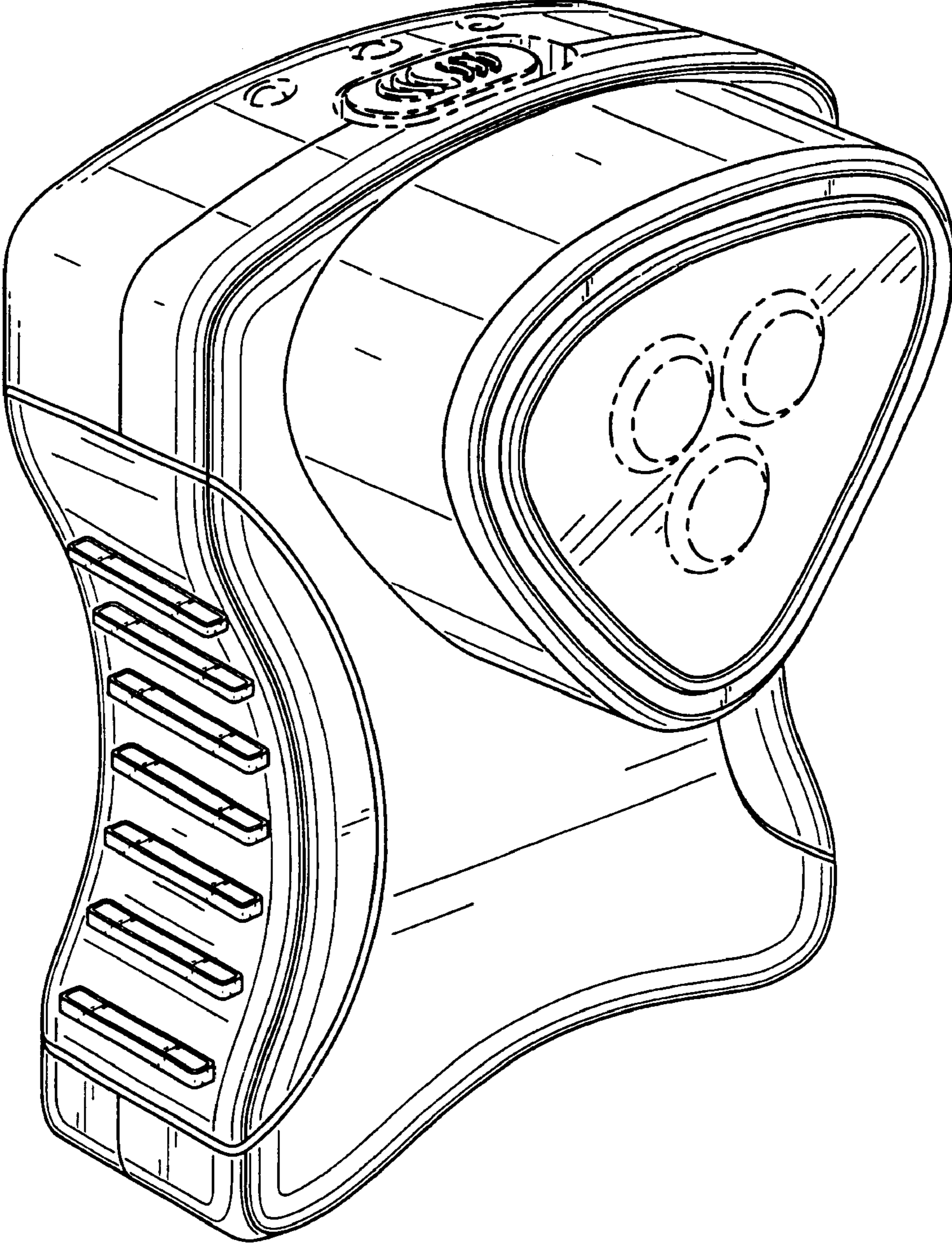


FIG. 1

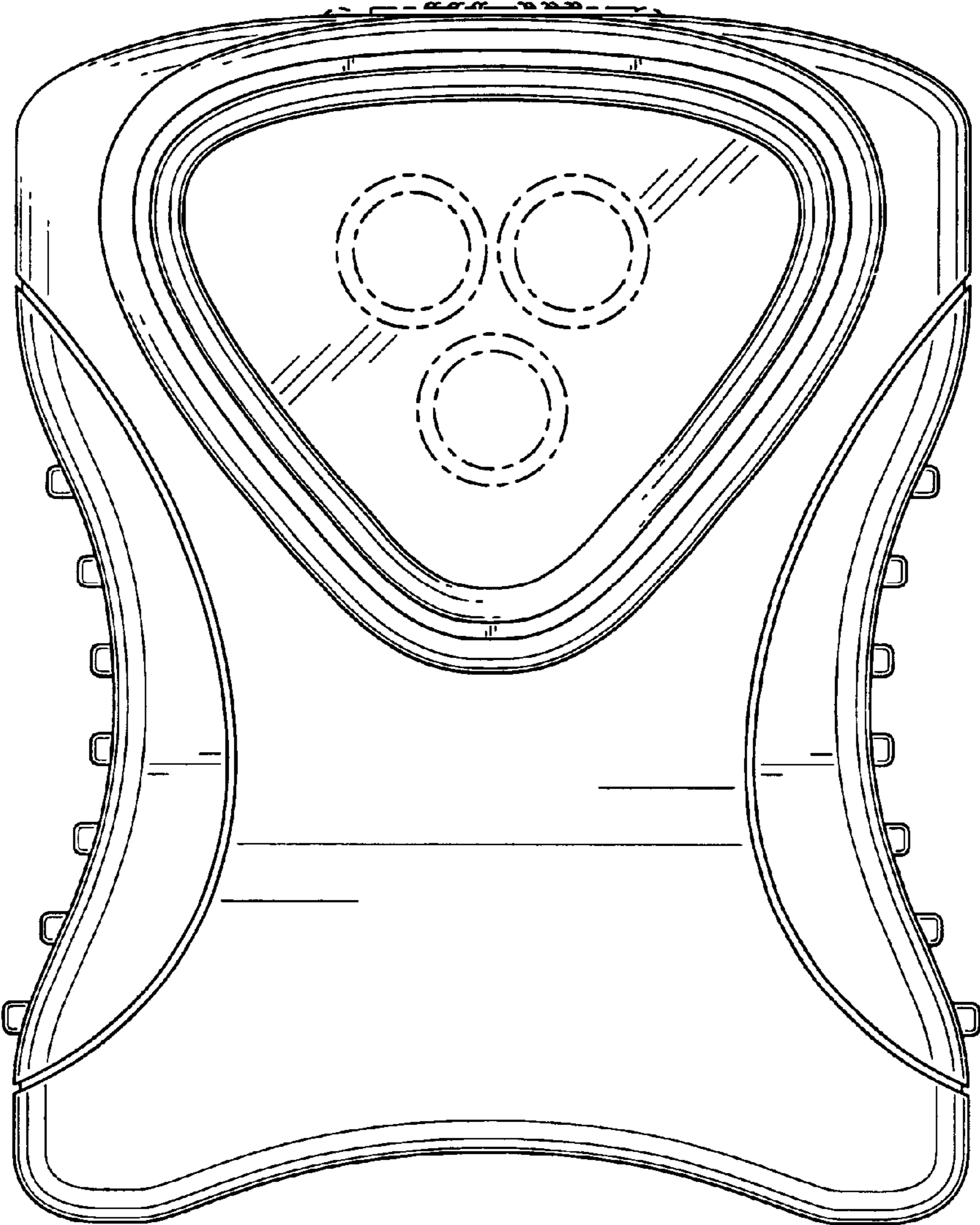


FIG. 2

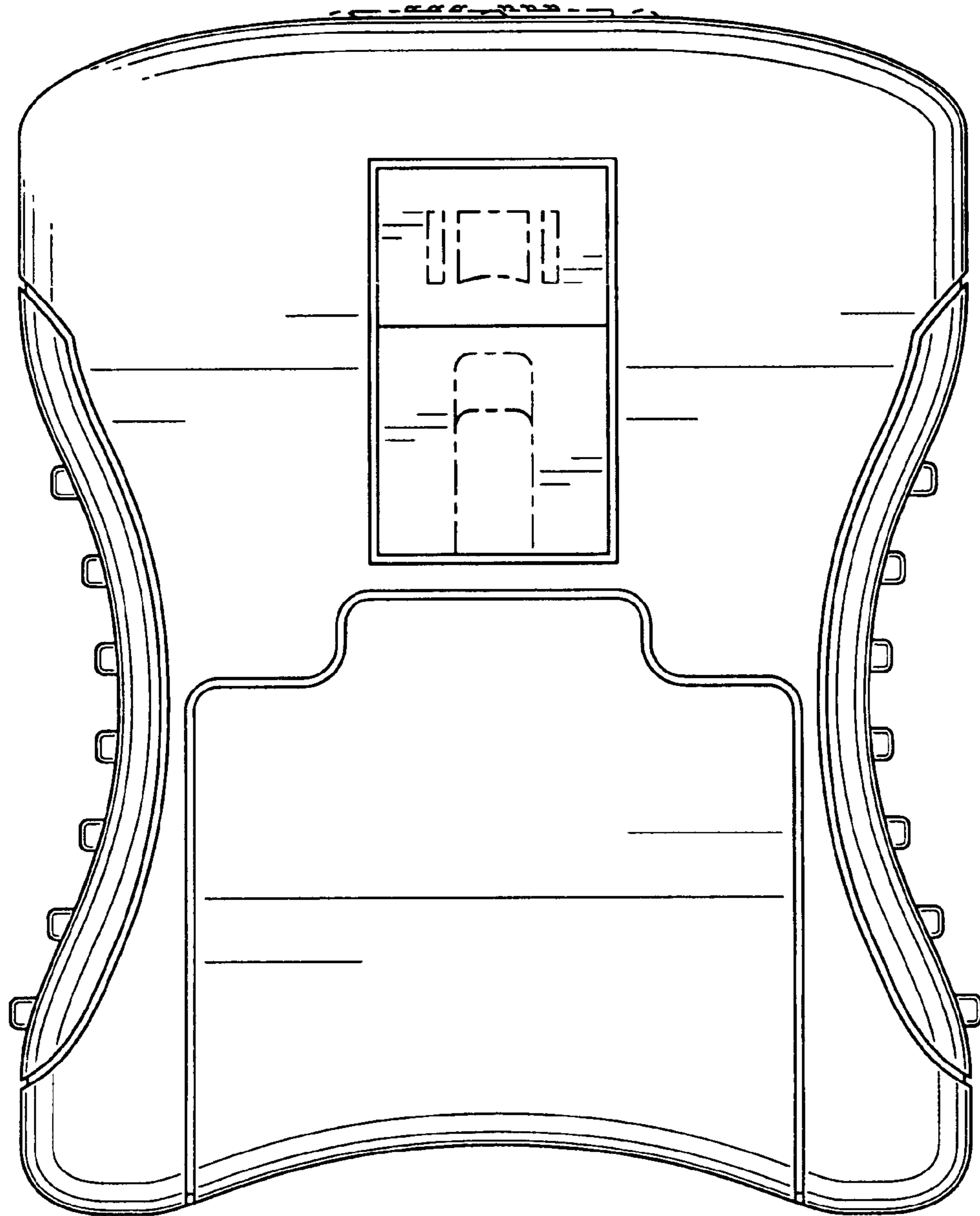


FIG. 3

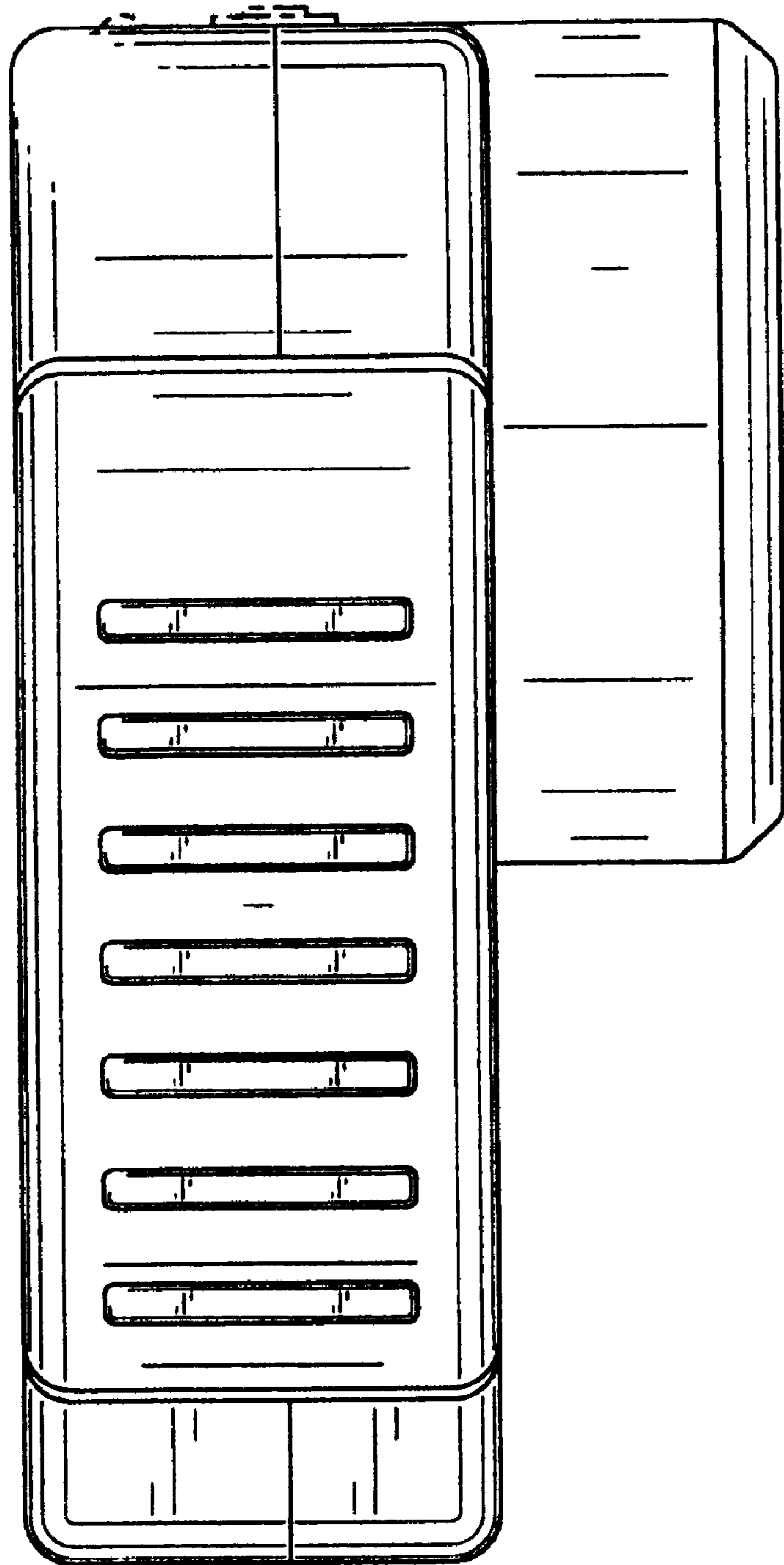


FIG. 4

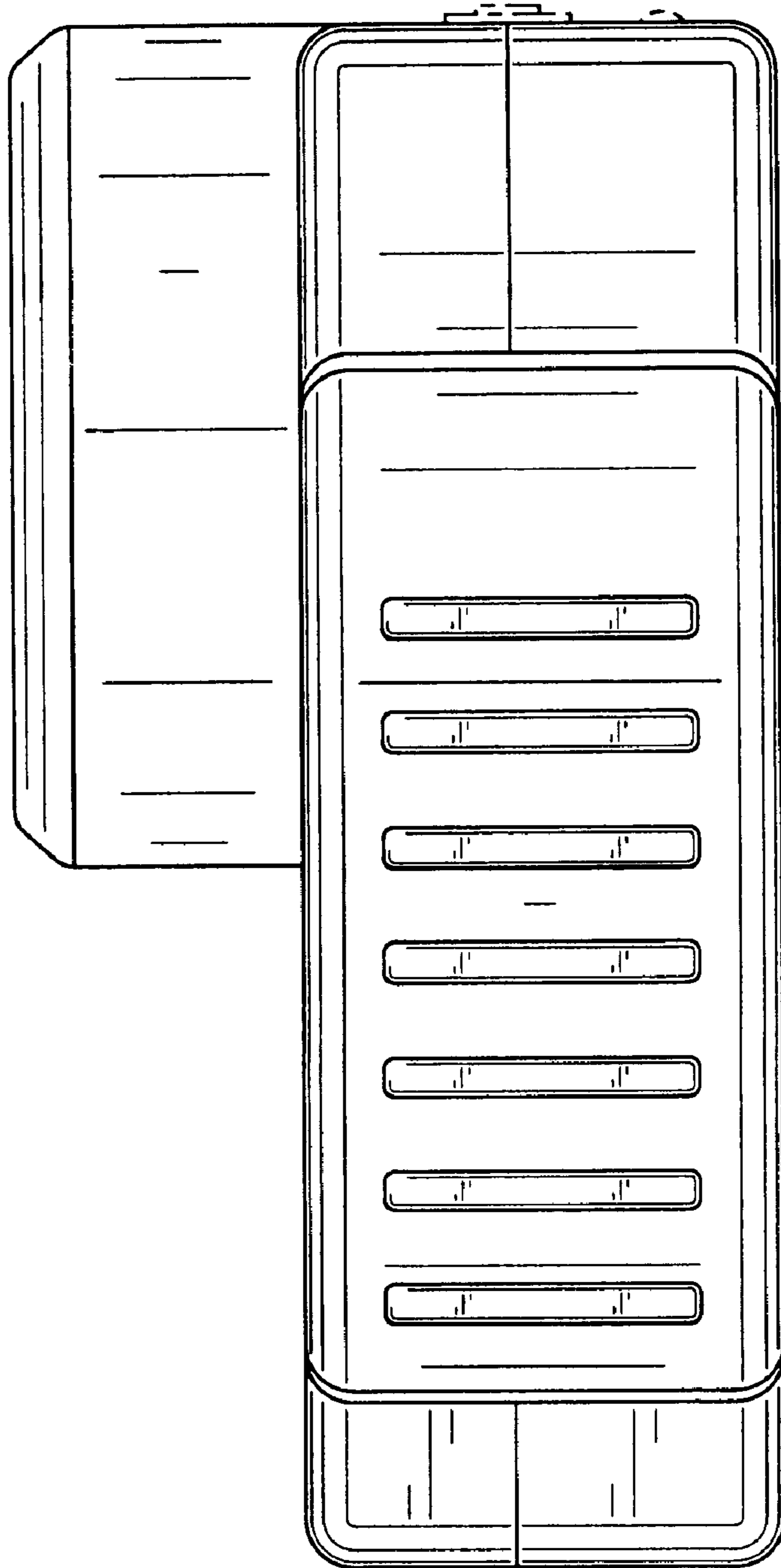


FIG. 5

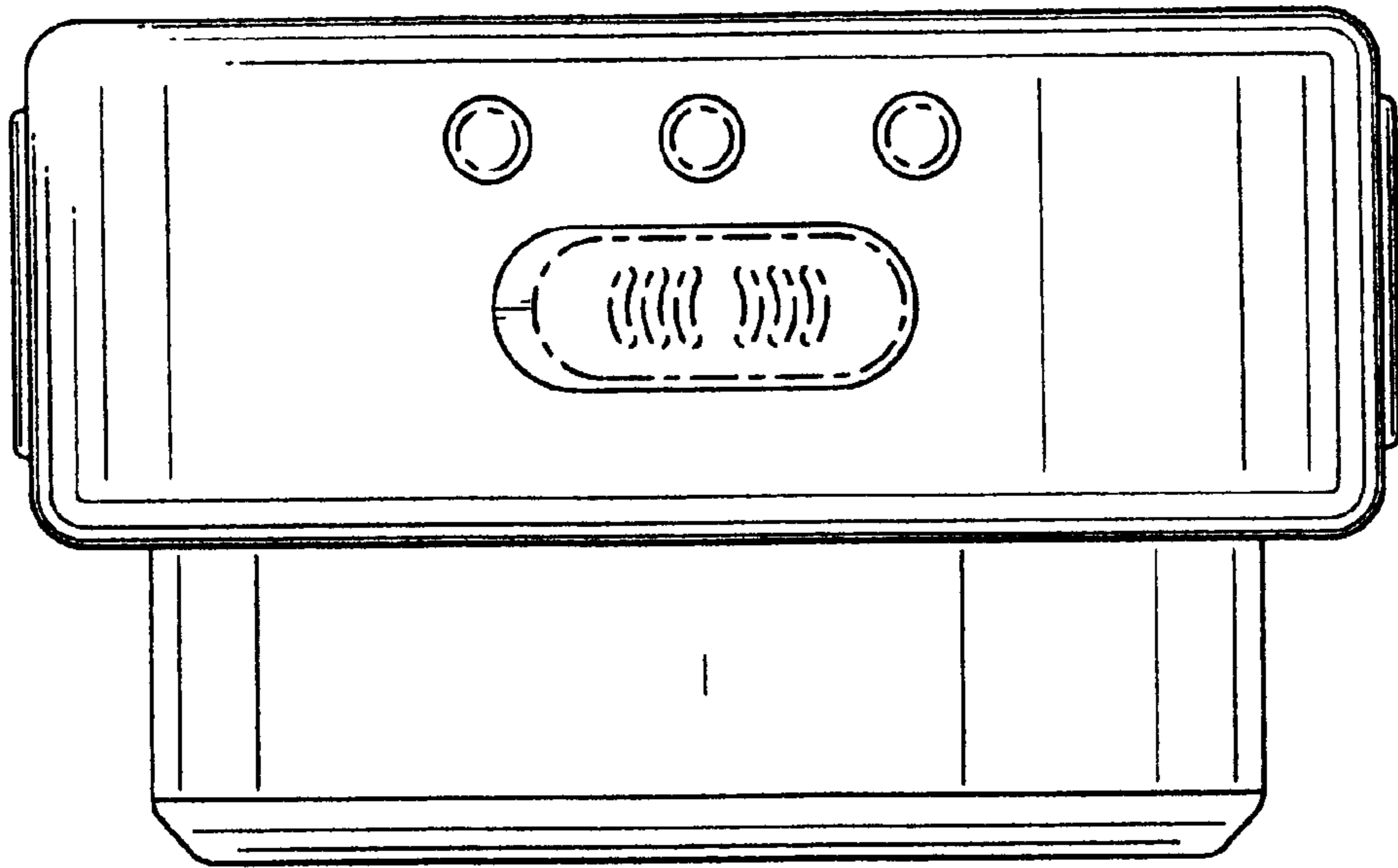


FIG. 6

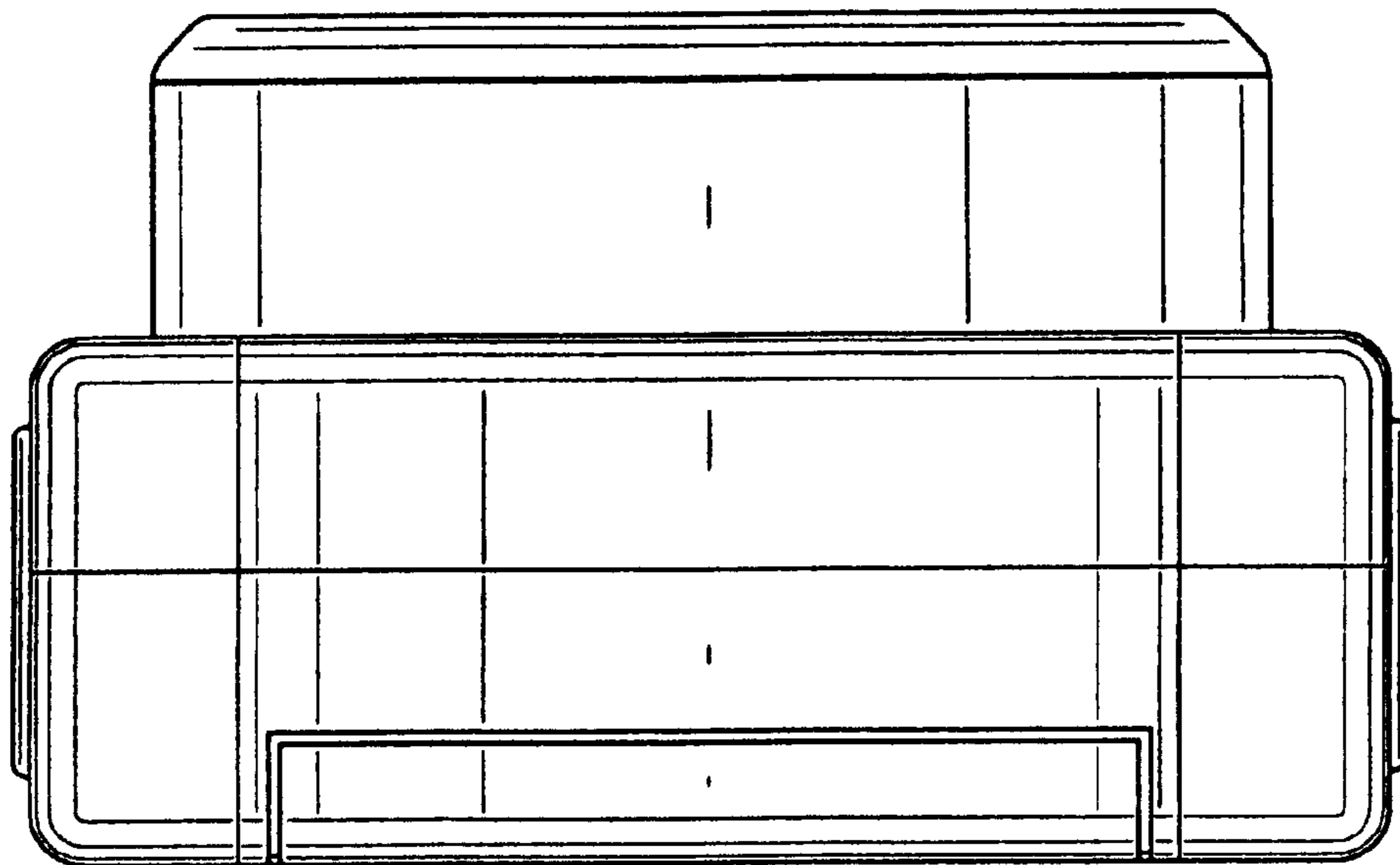


FIG. 7

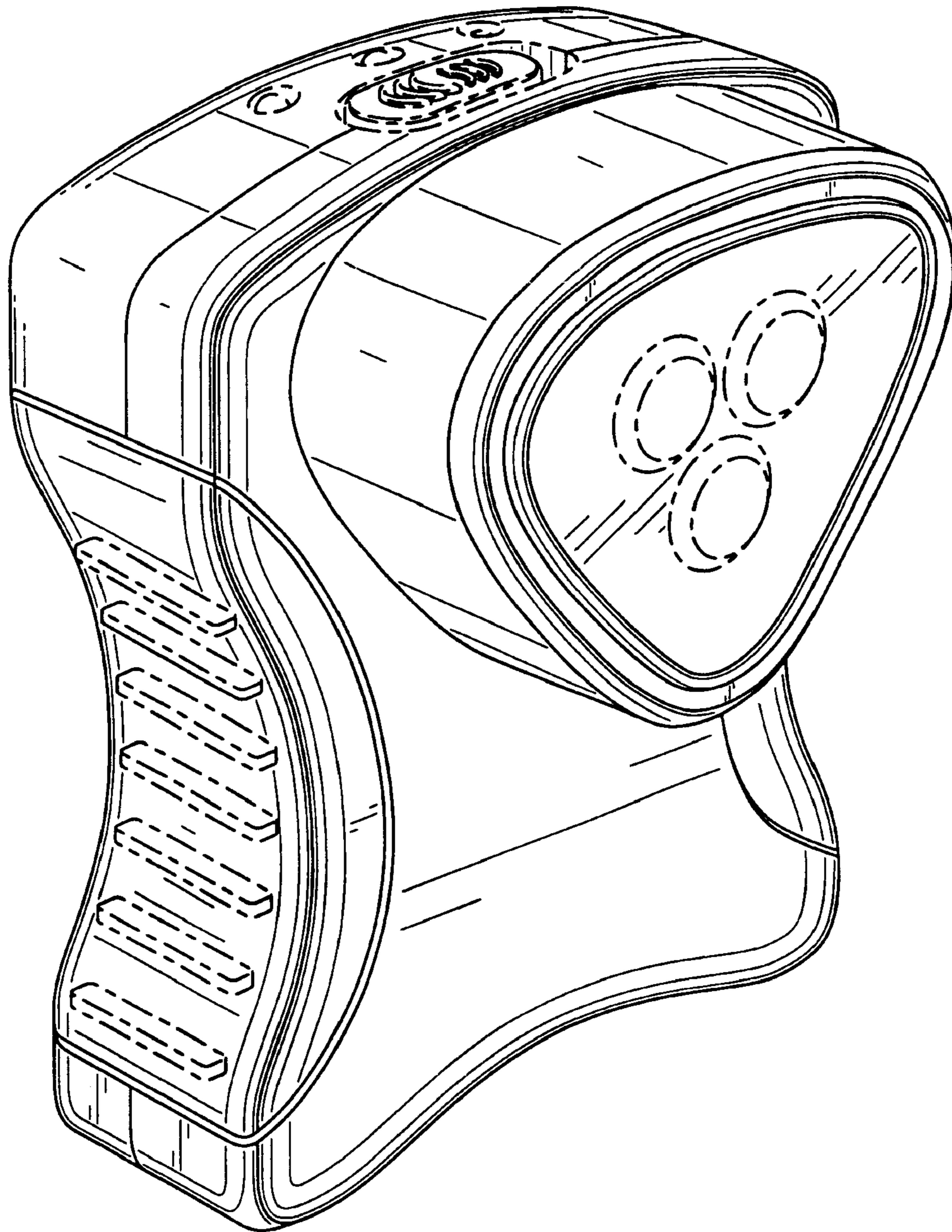


FIG. 8

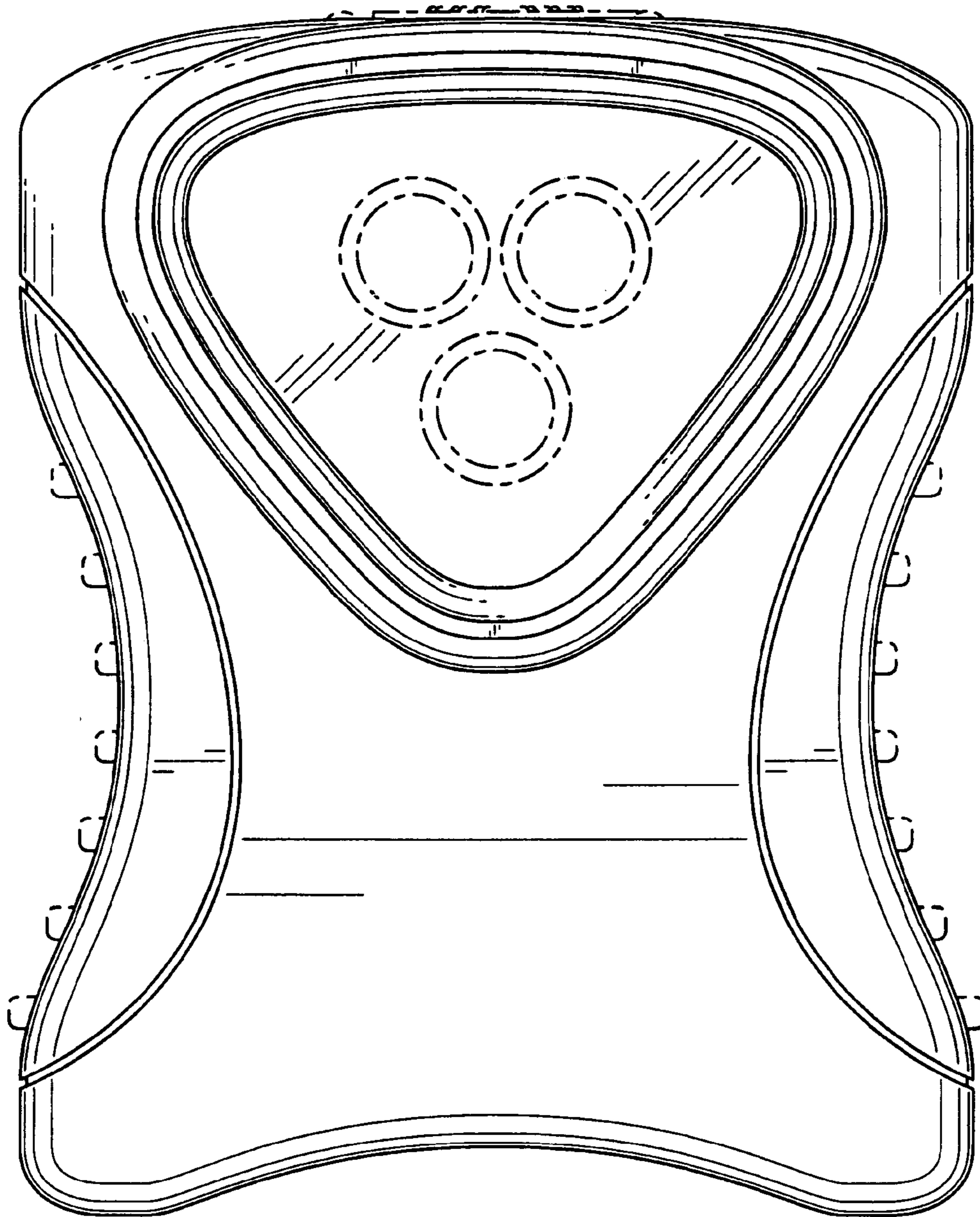


FIG. 9

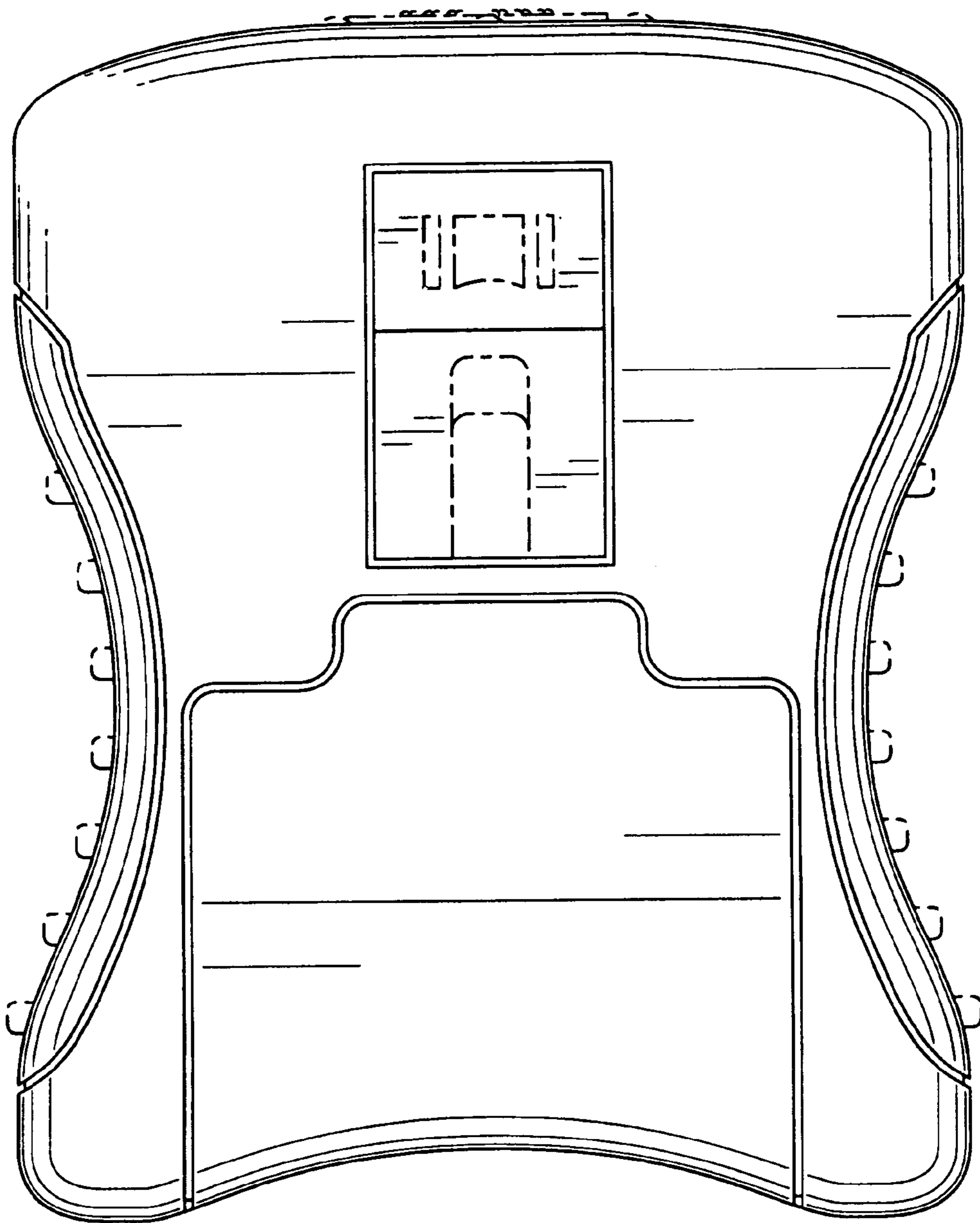


FIG. 10

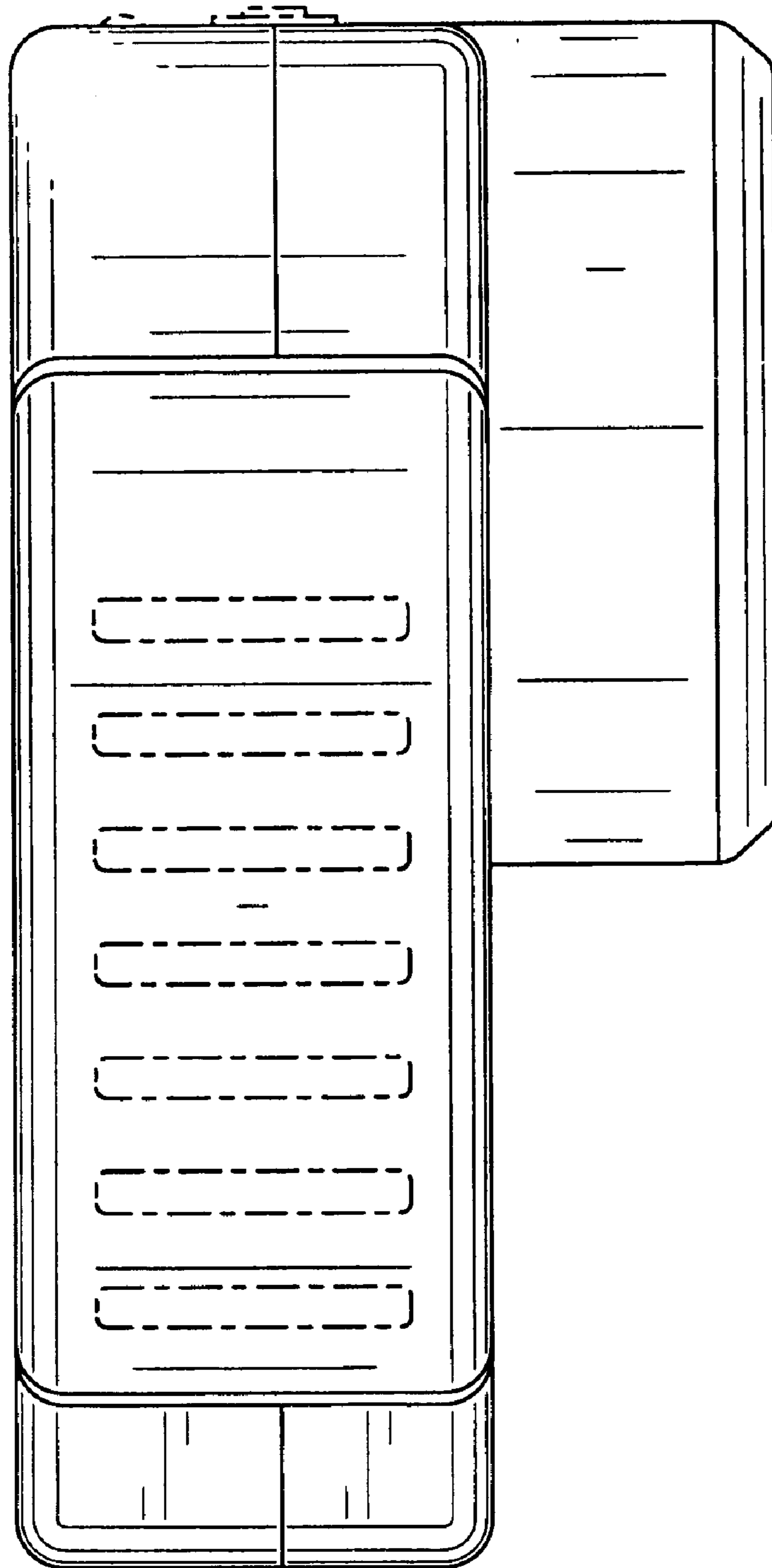


FIG. 11

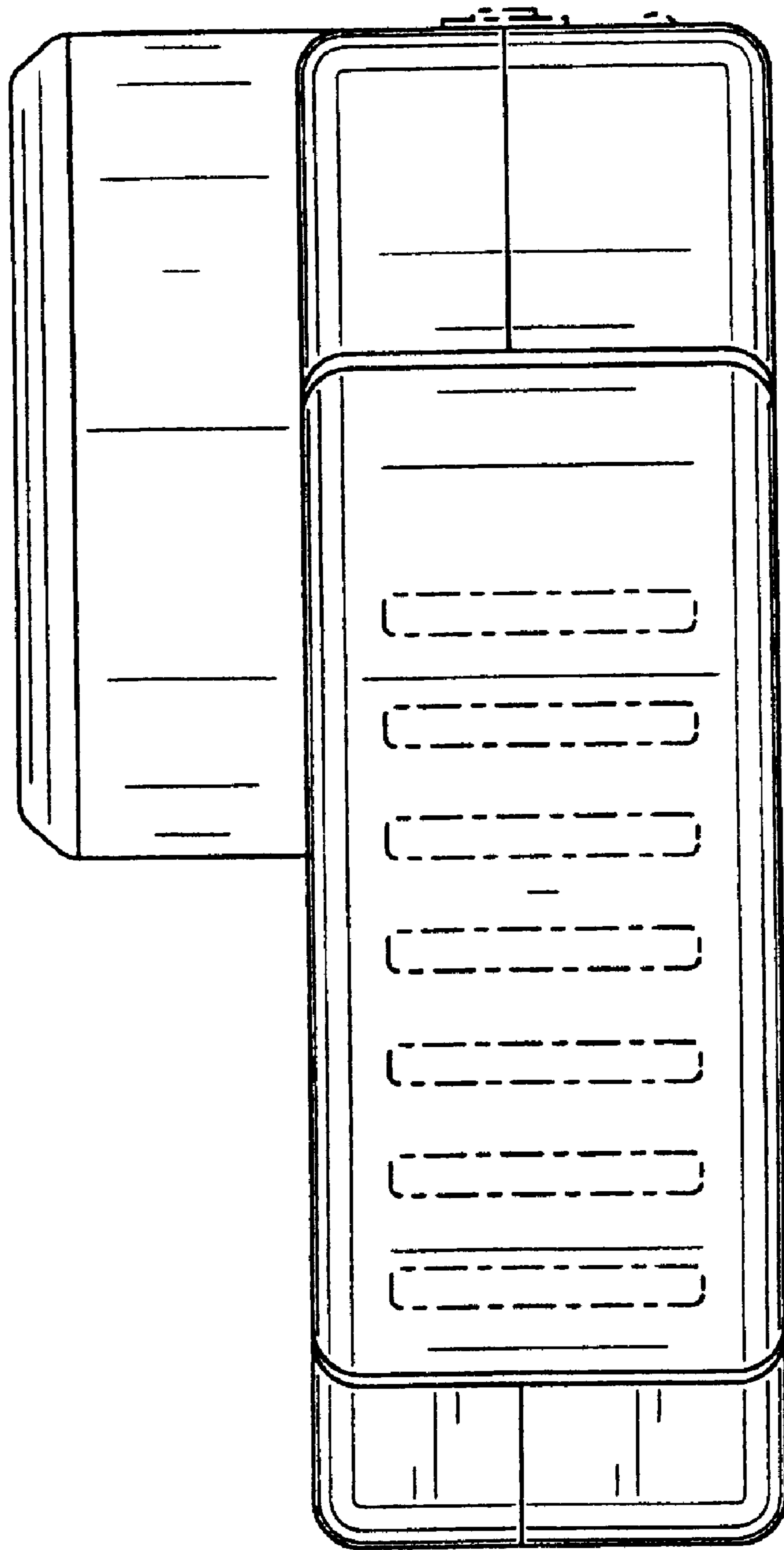


FIG. 12

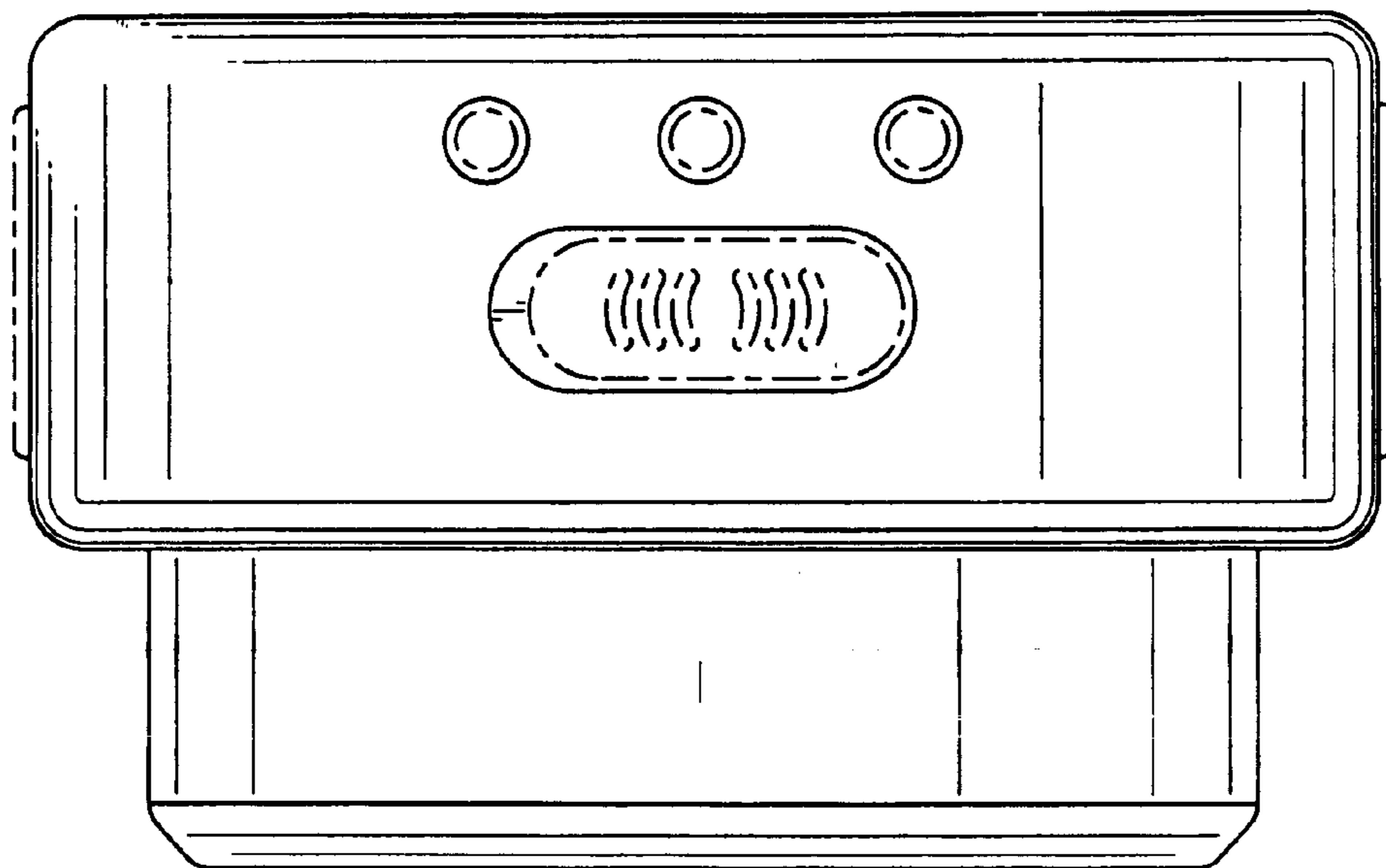


FIG. 13

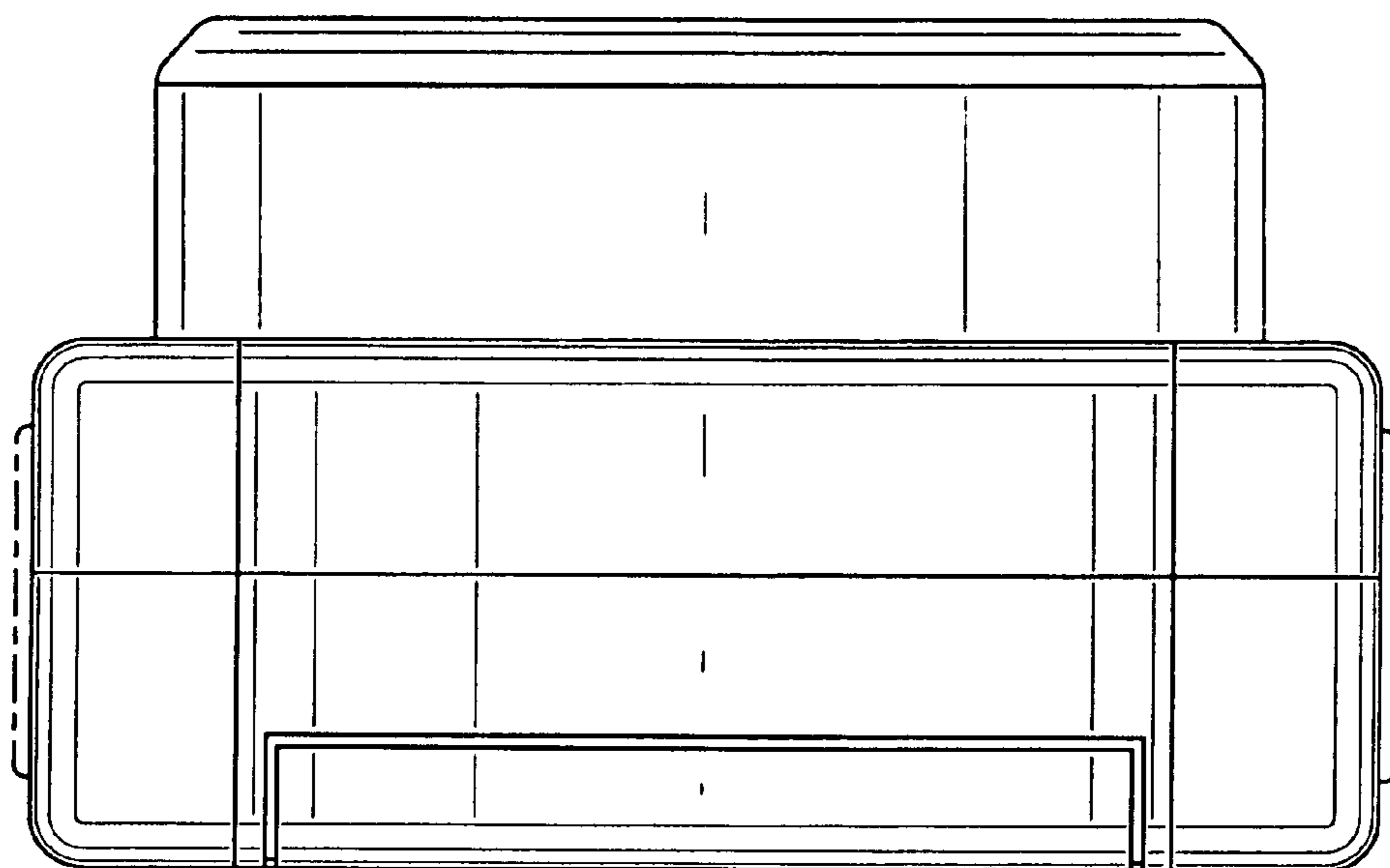


FIG. 14