



US00D542437S

(12) **United States Design Patent**
Snow

(10) **Patent No.:** **US D542,437 S**

(45) **Date of Patent:** **** May 8, 2007**

(54) **CANDLE WARMER**

(76) **Inventor:** **Wesley Snow**, 13 Applehill, Sandy, UT
(US) 84092

(**) **Term:** **14 Years**

(21) **Appl. No.:** **29/232,032**

(22) **Filed:** **Jun. 14, 2005**

(51) **LOC (8) Cl.** **26-01**

(52) **U.S. Cl.** **D26/22; D26/9**

(58) **Field of Classification Search** D26/6-23;
D9/635, 435, 541, 447, 454; D7/572, 575,
D7/536, 584; D11/160, 96; 431/288-297,
431/125, 126; 362/806-810

See application file for complete search history.

(56) **References Cited**

U.S. PATENT DOCUMENTS

3,748,464	A	7/1973	Andeweg	240/108
3,767,355	A	* 10/1973	Anderson, Jr.	431/295
D231,249	S	* 4/1974	Schwartz	D26/11
3,876,861	A	4/1975	Wightman et al.	219/463
D269,638	S	* 7/1983	Frye et al.	D26/9
5,317,128	A	5/1994	Yao	219/433
5,647,052	A	7/1997	Patel et al.	392/390
5,651,942	A	7/1997	Christensen	422/125
5,744,106	A	4/1998	Eagle	422/306

D433,168	S	* 10/2000	Cousins	D26/9
6,196,706	B1	3/2001	Cutts	362/392
6,354,710	B1	3/2002	Nacouzi	362/96
6,627,857	B1	9/2003	Tanner et al.	219/445.1
6,685,345	B1	2/2004	Velasquez	362/392
2003/0209533	A1	11/2003	Tanner et al.	219/445.1
2005/0016985	A1	1/2005	Haas et al.	219/438

* cited by examiner

Primary Examiner—Louis S. Zarfaz

Assistant Examiner—Gregory Andoll

(74) *Attorney, Agent, or Firm*—Todd E. Zenger; Kirton & McConkie

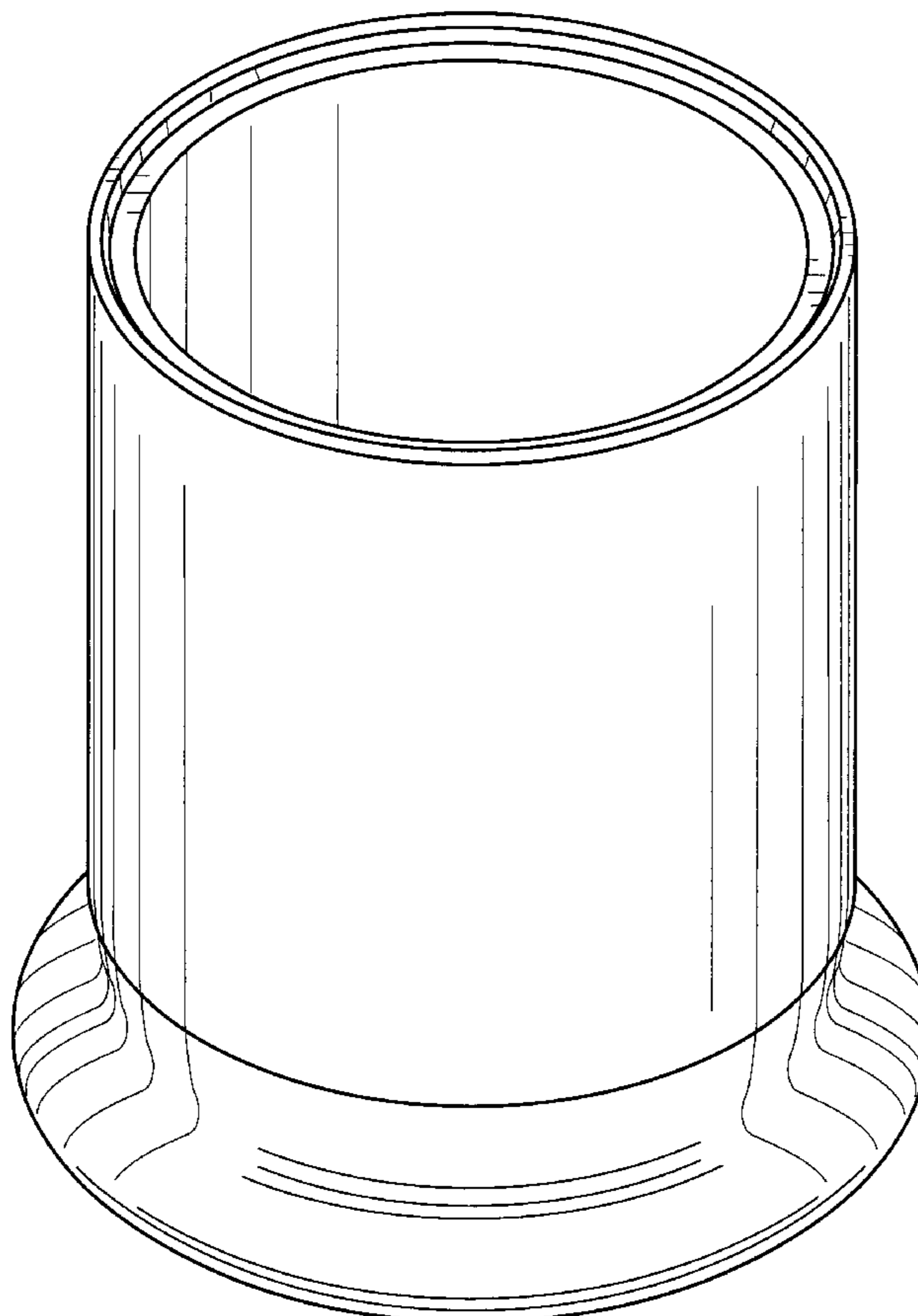
(57) **CLAIM**

The ornamental design for a candle warmer, as shown and described.

DESCRIPTION

FIG. 1 is a top front perspective view of a candle warmer. FIG. 2 is a front view thereof. FIG. 3 is a back view thereof. FIG. 4 is a side view thereof. FIG. 5 is a side view thereof. FIG. 6 is a top view thereof; and, FIG. 7 is a bottom view thereof. The broken lines in the Figures are for illustrative purposes only and form no part of the claimed design.

1 Claim, 4 Drawing Sheets



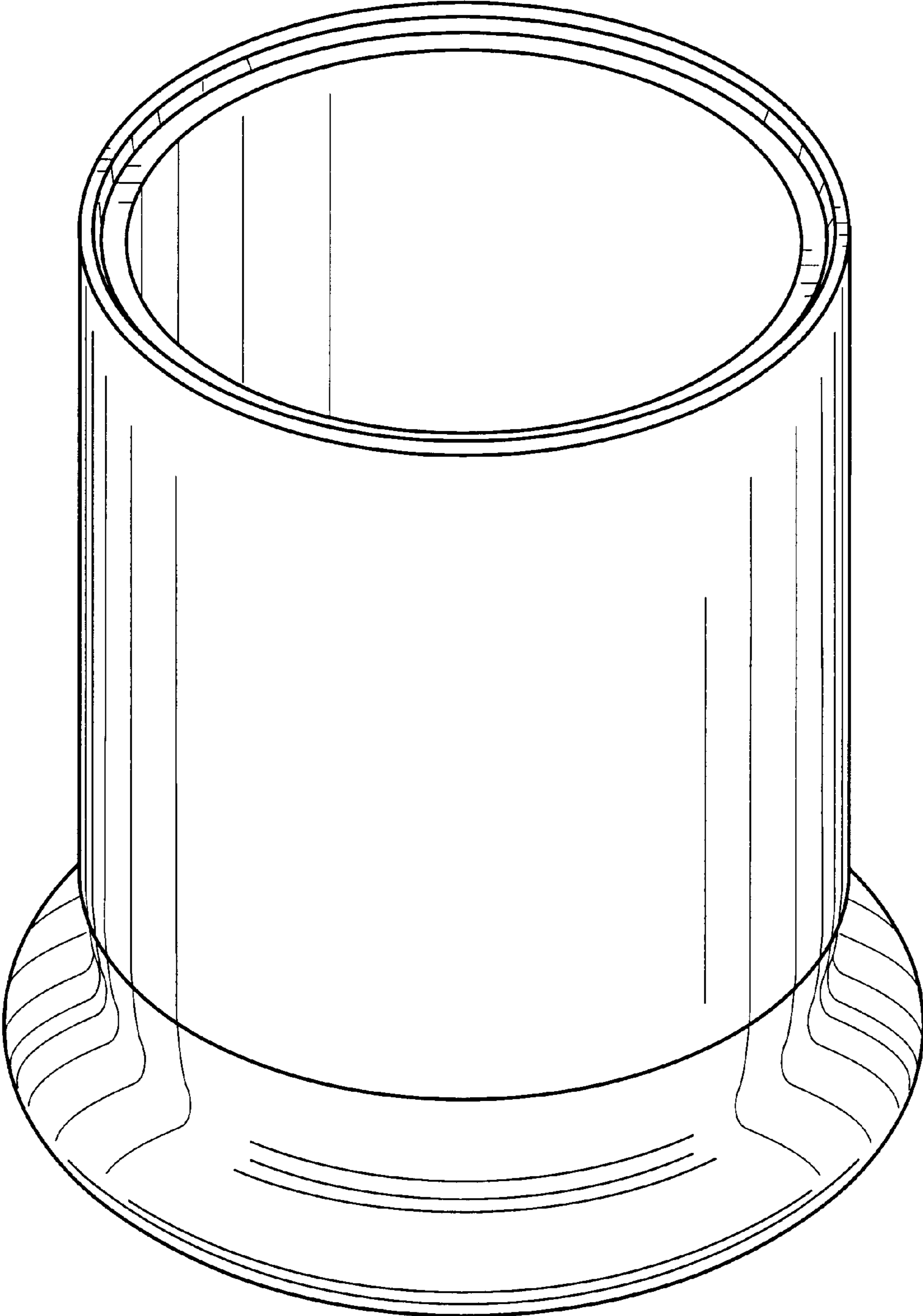


FIG. 1

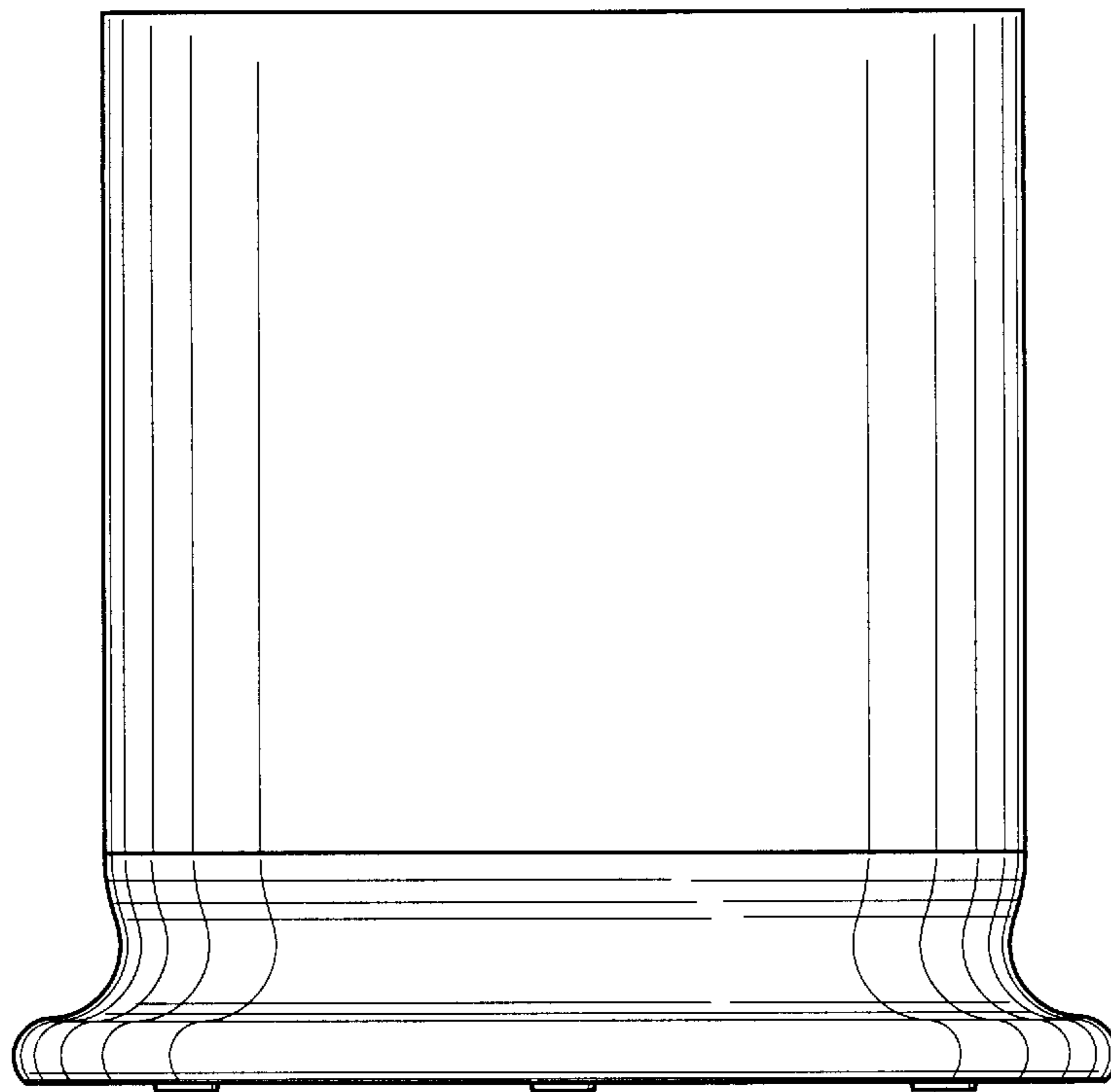


FIG. 2

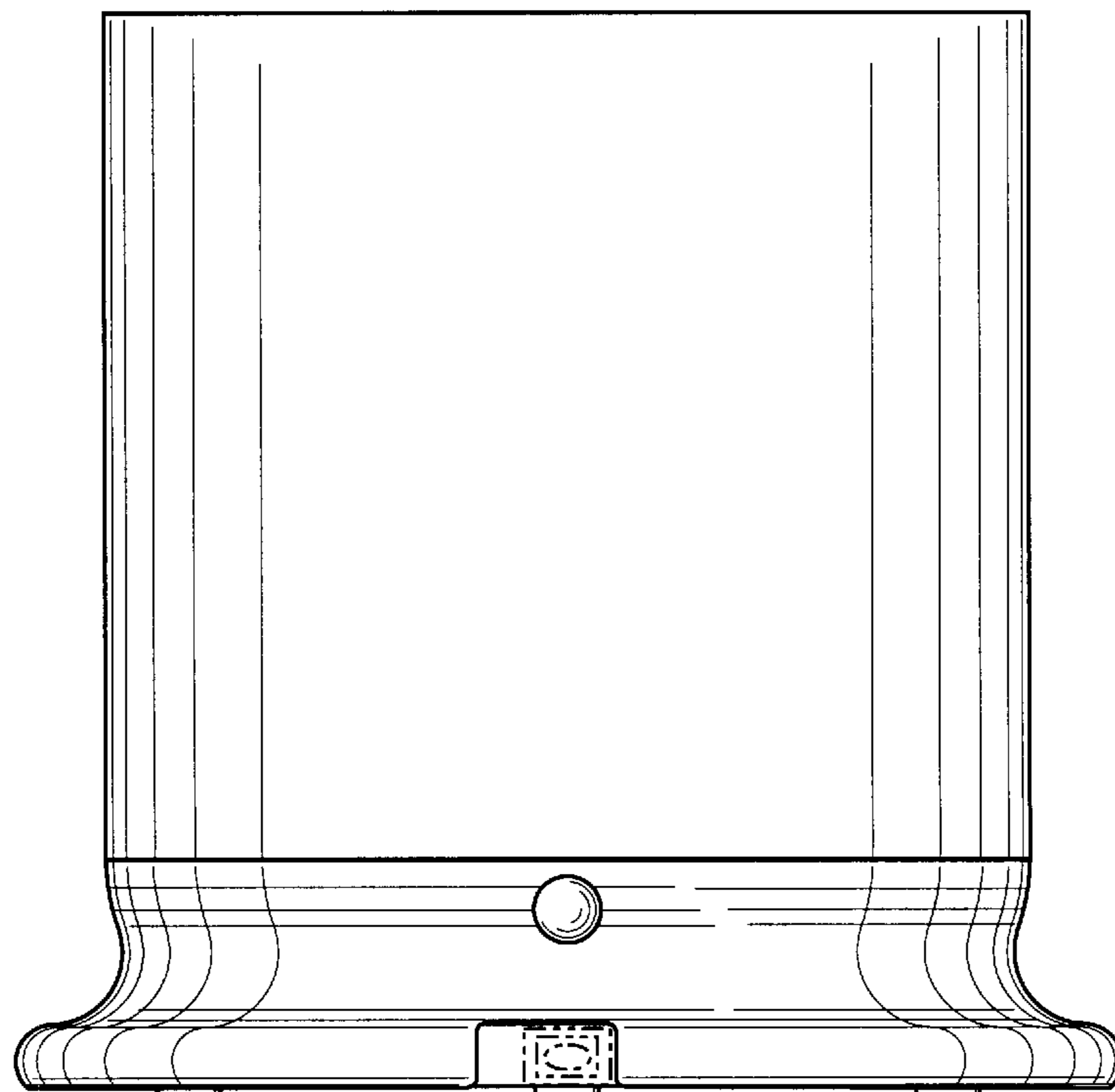


FIG. 3

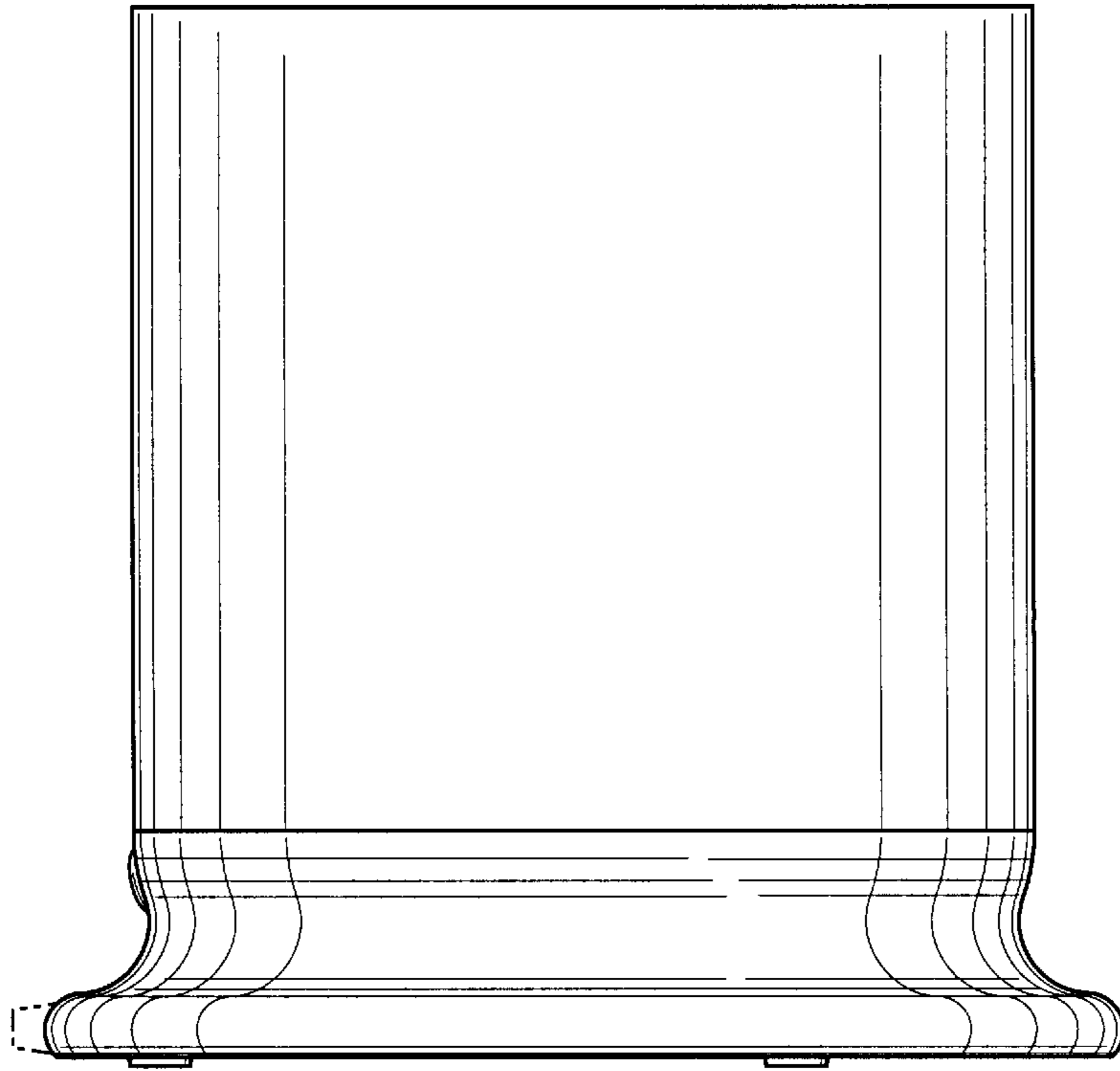


FIG. 4

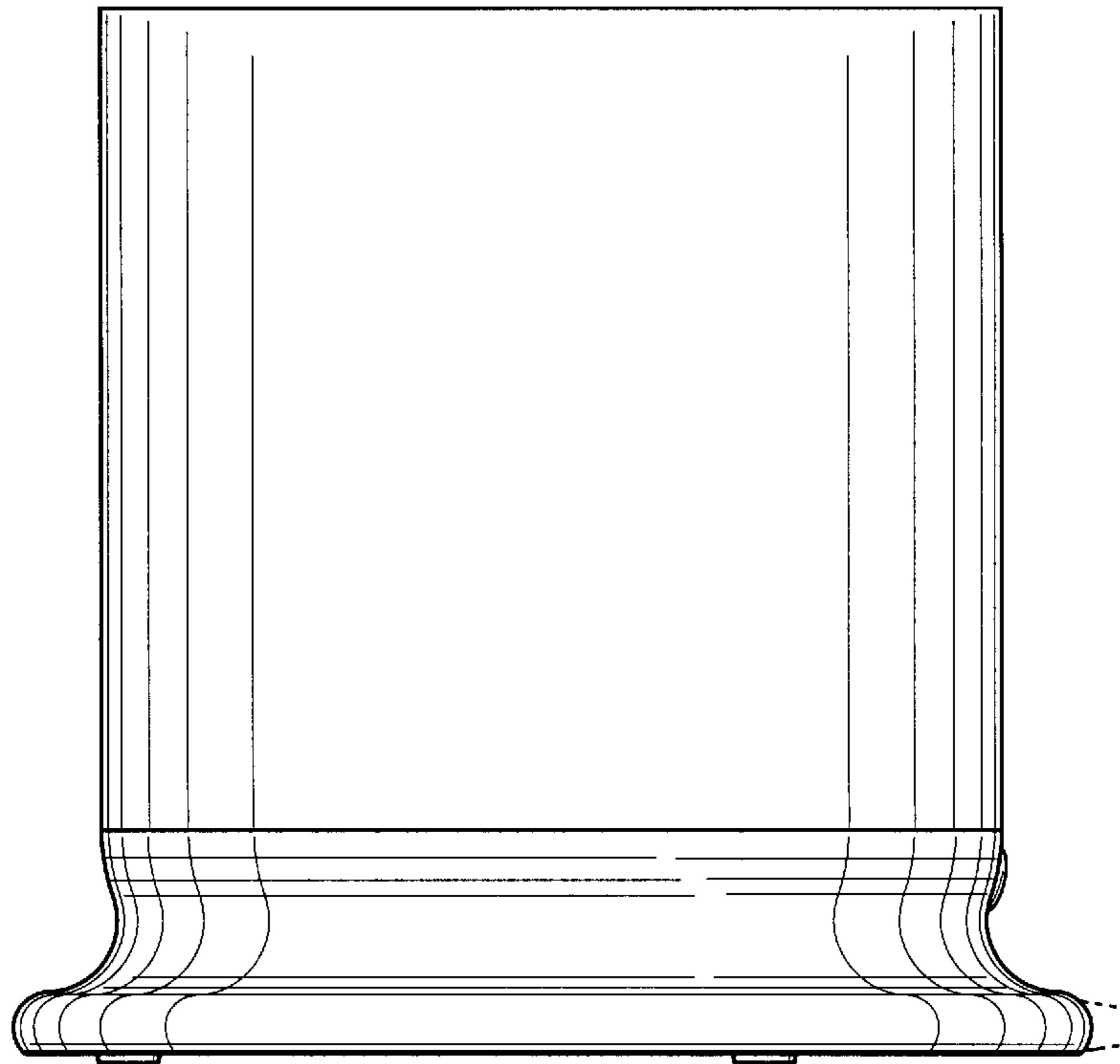


FIG. 5

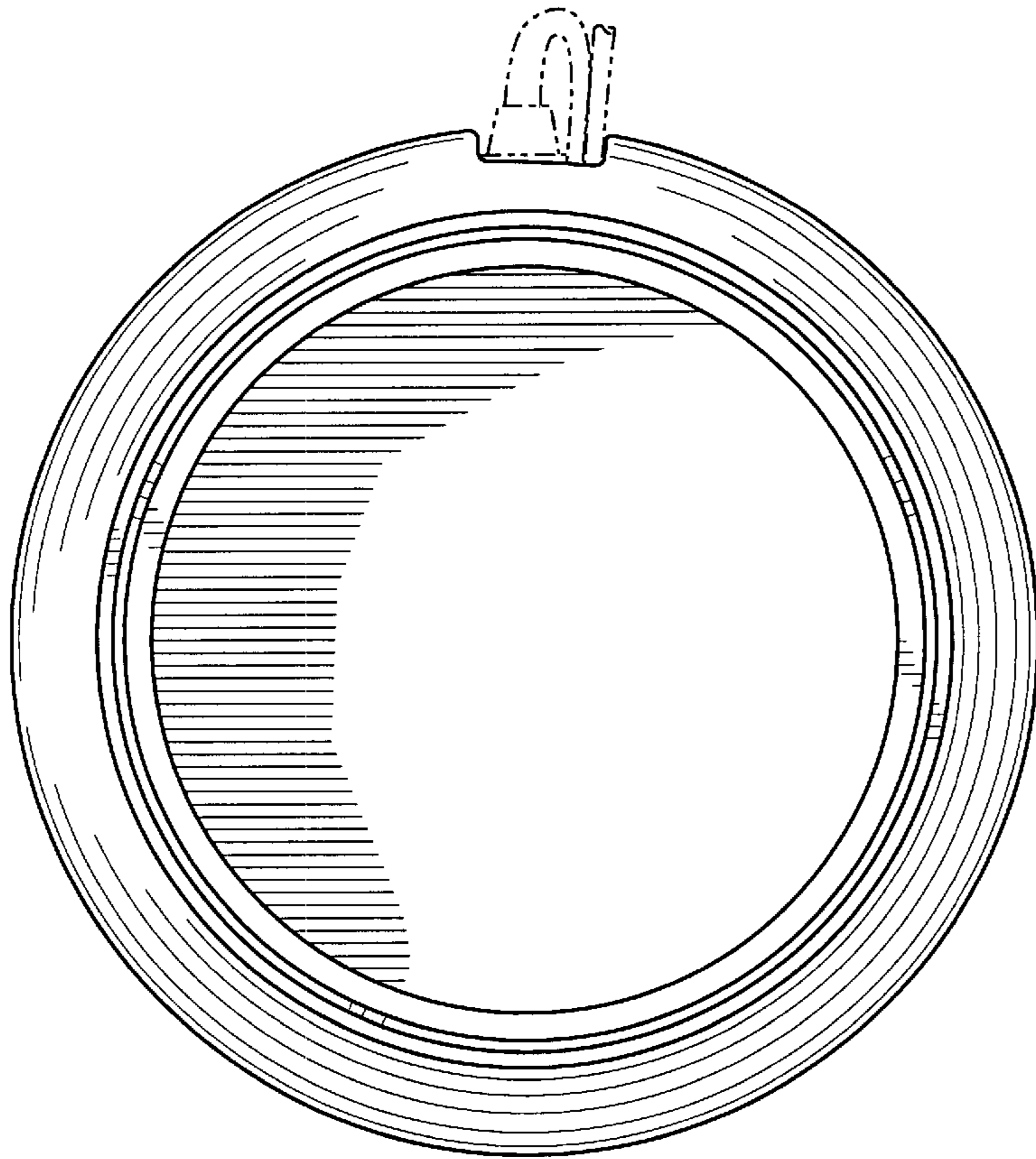


FIG. 6

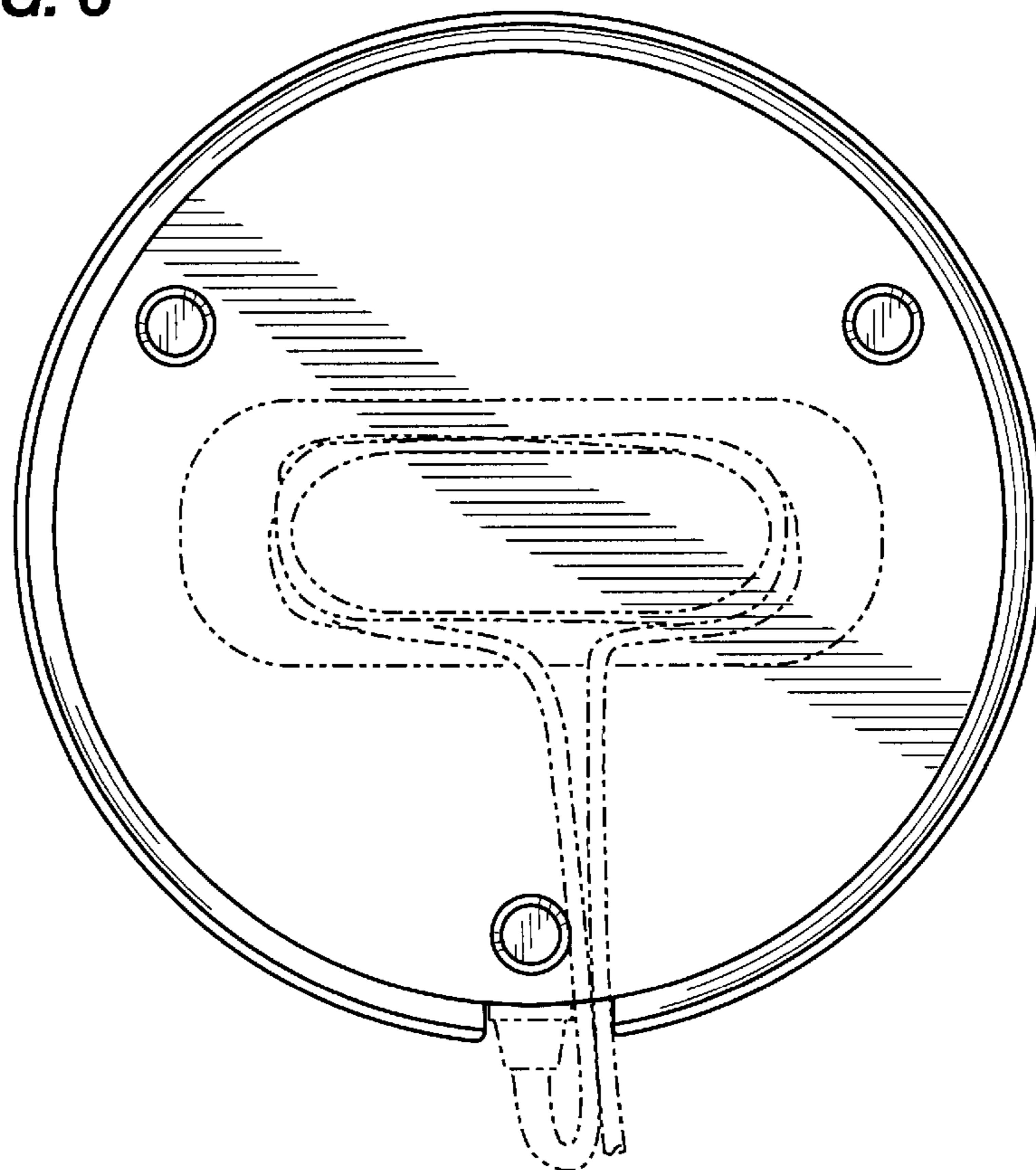


FIG. 7