

US00D542434S

(12) **United States Design Patent**  
**Schofield**

(10) **Patent No.:** **US D542,434 S**

(45) **Date of Patent:** **\*\* May 8, 2007**

(54) **OIL LAMP**  
(75) Inventor: **David Schofield**, Milwaukee, WI (US)  
(73) Assignee: **Lamplight Farms, Inc.**, Menomonee Fall, WI (US)  
(\*\*) Term: **14 Years**

D353,215 S \* 12/1994 Koch, Jr. .... D26/23  
D380,856 S \* 7/1997 Perkins ..... D26/11  
D412,213 S \* 7/1999 Andujar ..... D26/11

\* cited by examiner

*Primary Examiner*—Louis S. Zarfes  
*Assistant Examiner*—Gregory Andoll  
(74) *Attorney, Agent, or Firm*—James W. Kayden; Thomas, Kayden, Horstemeyer & Risley, LLP

(21) Appl. No.: **29/253,206**  
(22) Filed: **Feb. 2, 2006**

(57) **CLAIM**

The ornamental design for an oil lamp, as shown and described.

(51) **LOC (8) Cl.** ..... **26-01**  
(52) **U.S. Cl.** ..... **D26/11; D26/9**  
(58) **Field of Classification Search** ..... D26/6–23;  
D9/635, 435, 541, 447, 454; D7/572, 575,  
D7/536, 584; D11/160, 96; 431/288–297,  
431/125, 126; 362/806–810  
See application file for complete search history.

**DESCRIPTION**

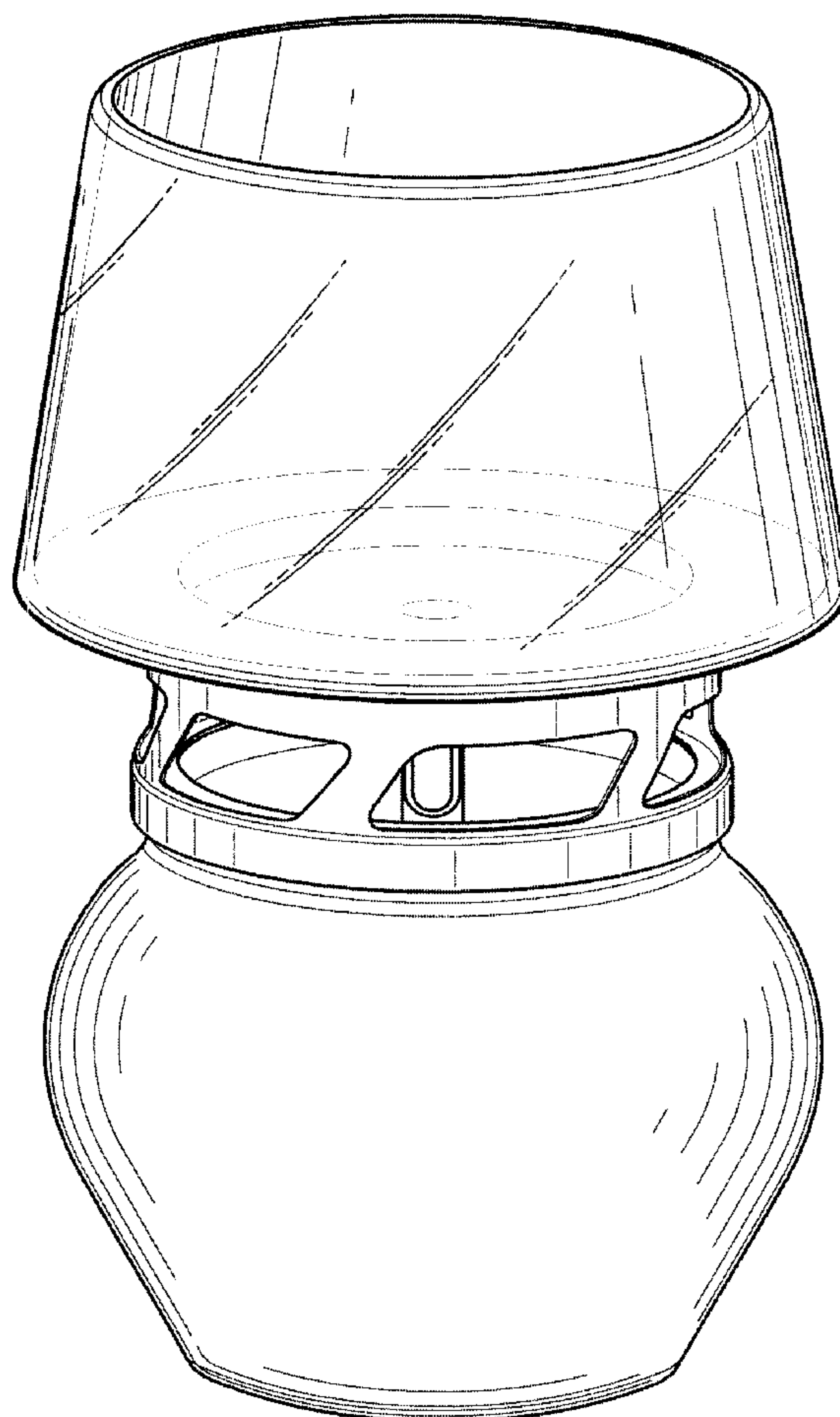
FIG. 1 is a perspective view showing my new oil lamp;  
FIG. 2 is a front elevational view thereof, the rear view being a mirror image of that which is shown;  
FIG. 3 is a right side elevational view thereof, the left side view being a mirror image of that which is shown;  
FIG. 4 is a top plan view thereof; and,  
FIG. 5 is a bottom plan view thereof.

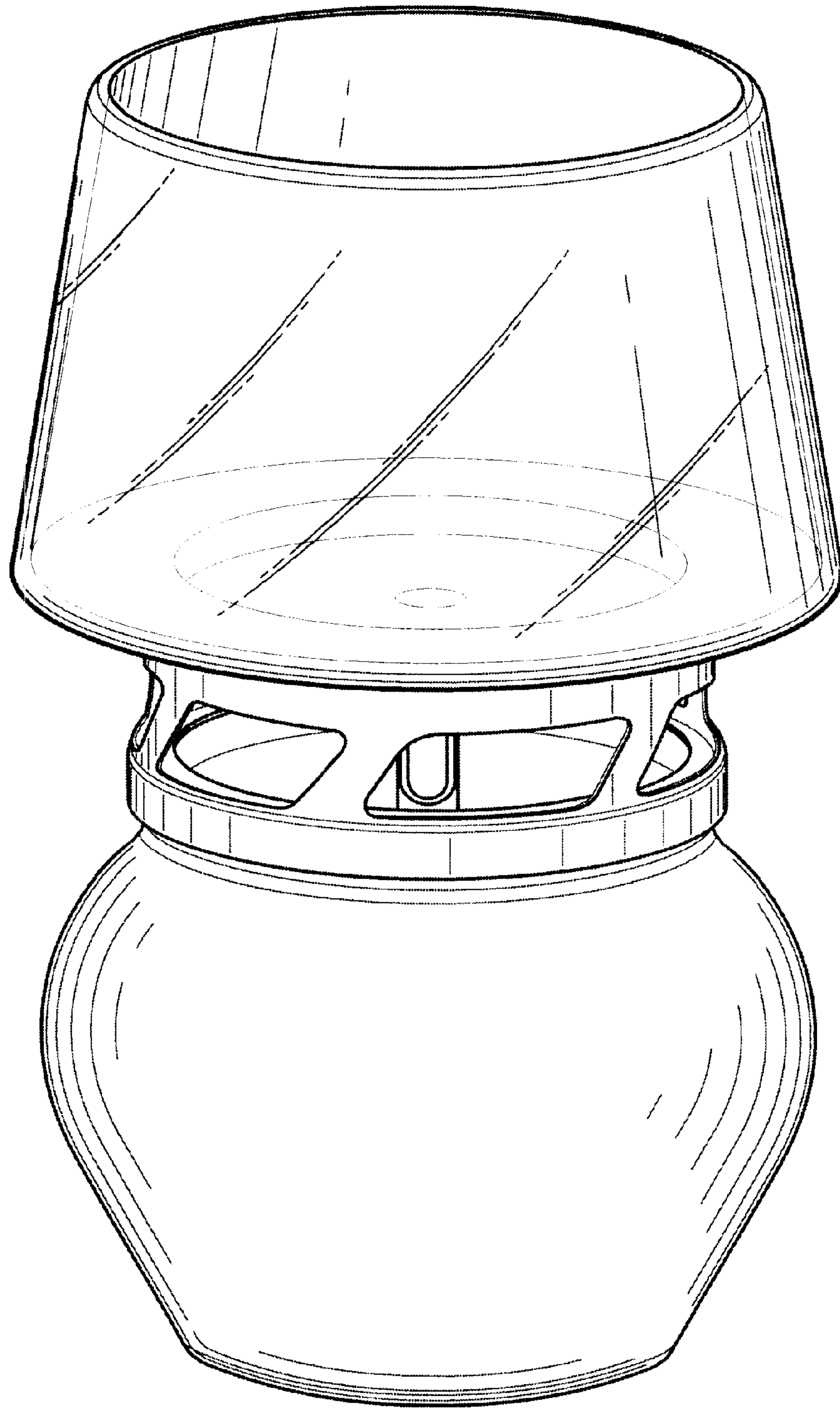
(56) **References Cited**

**U.S. PATENT DOCUMENTS**

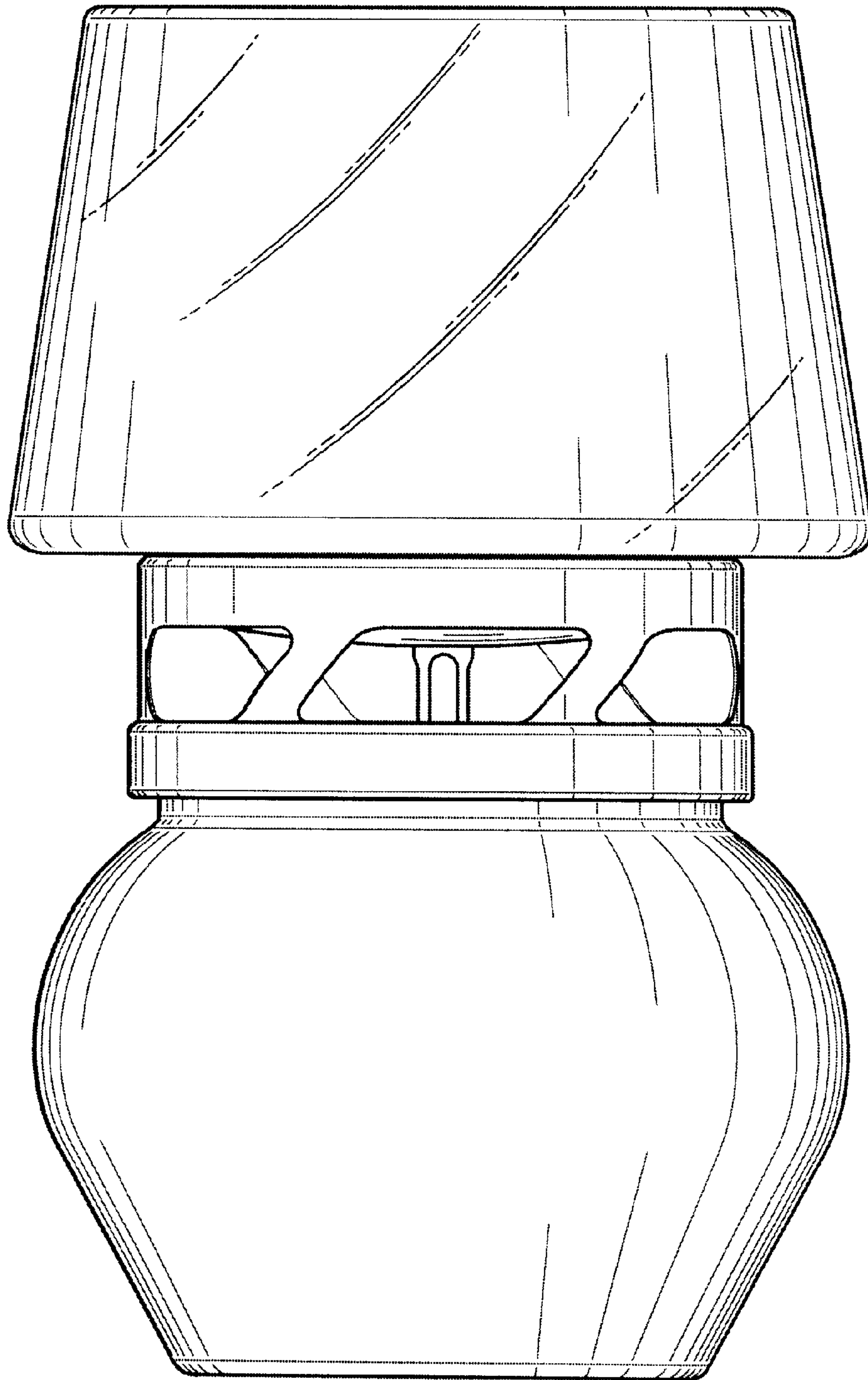
3,473,014 A \* 10/1969 Kayne ..... 362/161

**1 Claim, 4 Drawing Sheets**

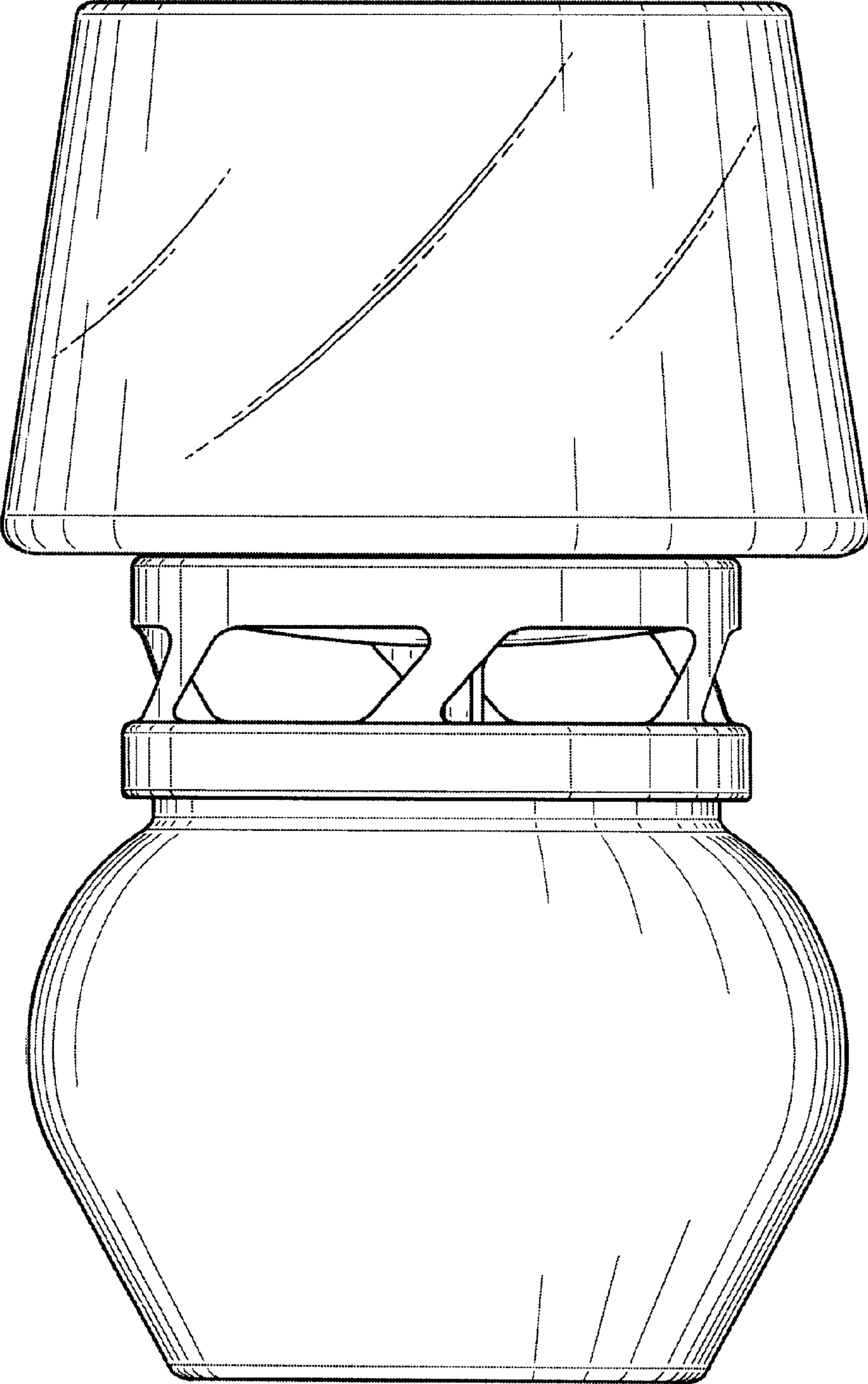




*Fig. 1*

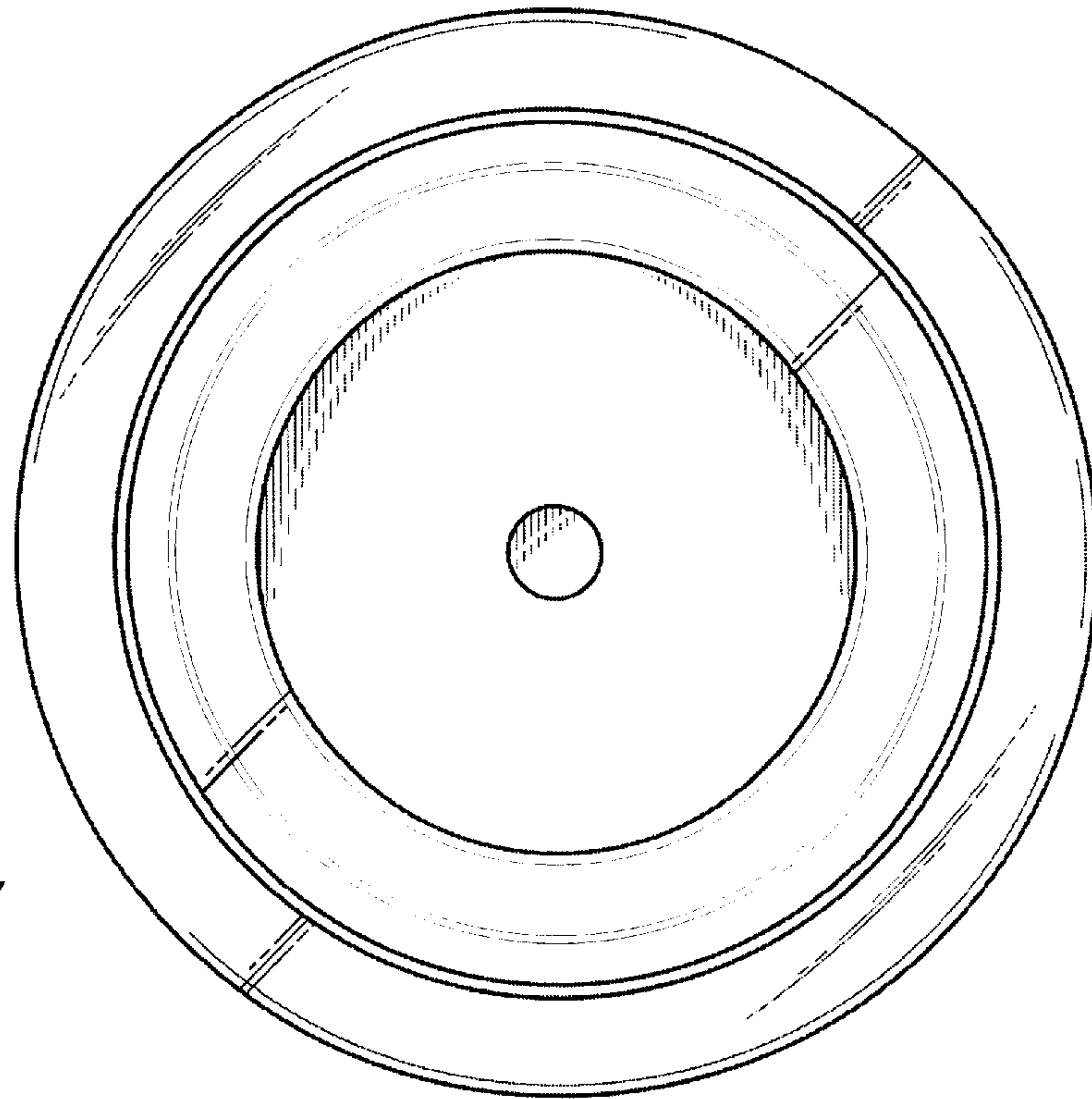


*Fig. 2*

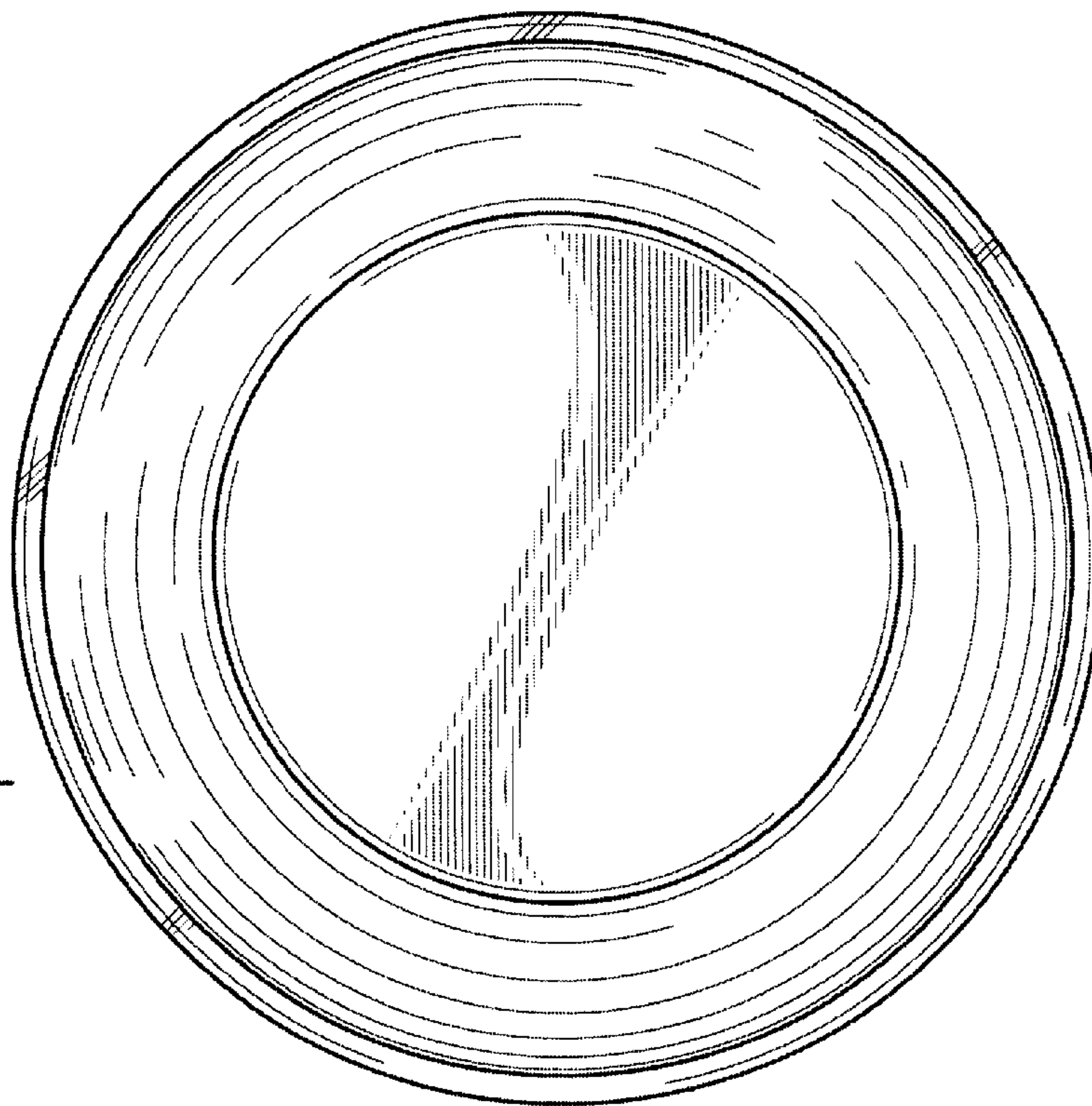


*Fig. 3*





*Fig. 4*



*Fig. 5*