

US00D542425S

(12) **United States Design Patent**
Wang

(10) **Patent No.:** **US D542,425 S**

(45) **Date of Patent:** **** May 8, 2007**

(54) **LED LAMP**

D528,227 S * 9/2006 Chou et al. D26/2
D528,673 S * 9/2006 Maxik et al. D26/2

(75) Inventor: **Pei-Choa Wang**, Gueishan Township,
Taoyuan County (TW)

* cited by examiner

(73) Assignee: **Augux Co. Ltd.**, Taoyuan (TW)

Primary Examiner—Marcus A. Jackson

(**) Term: **14 Years**

(57) **CLAIM**

(21) Appl. No.: **29/247,084**

The ornamental design for a LED lamp, as shown and described.

(22) Filed: **May 30, 2006**

DESCRIPTION

(51) **LOC (8) Cl.** **26-04**

FIG. 1 is a perspective view of a LED lamp showing my new design;

(52) **U.S. Cl.** **D26/2**

FIG. 2 is a front view thereof;

(58) **Field of Classification Search** D26/1-4;
313/313, 315, 317, 318, 493; 315/52, 53,
315/56, 57, 58

FIG. 3 is a rear view thereof;

See application file for complete search history.

FIG. 4 is a left side view thereof;

FIG. 5 is a right side view thereof;

(56) **References Cited**

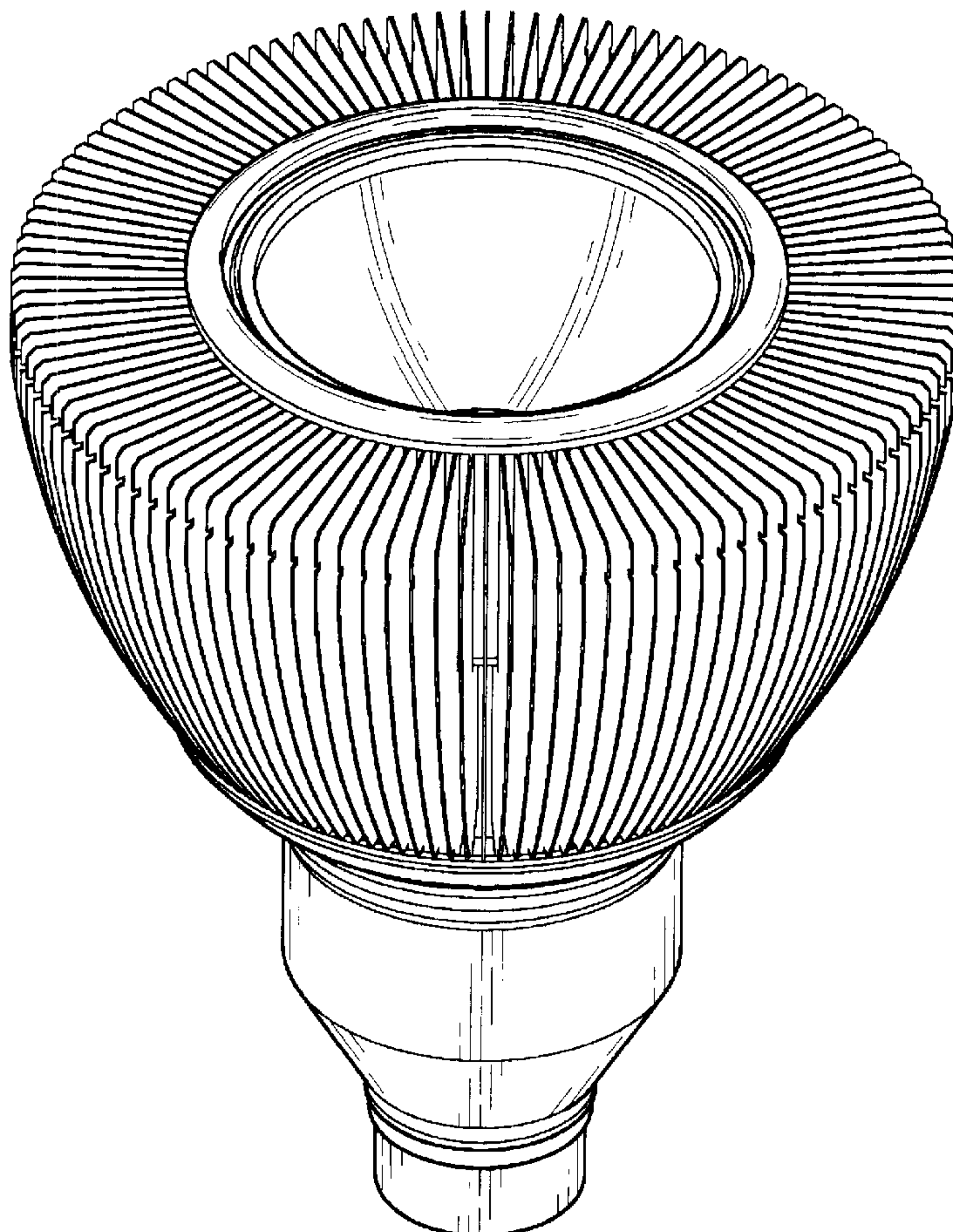
FIG. 6 is a top view thereof; and,

FIG. 7 is a bottom view thereof.

U.S. PATENT DOCUMENTS

D527,119 S * 8/2006 Maxik et al. D26/2

1 Claim, 7 Drawing Sheets



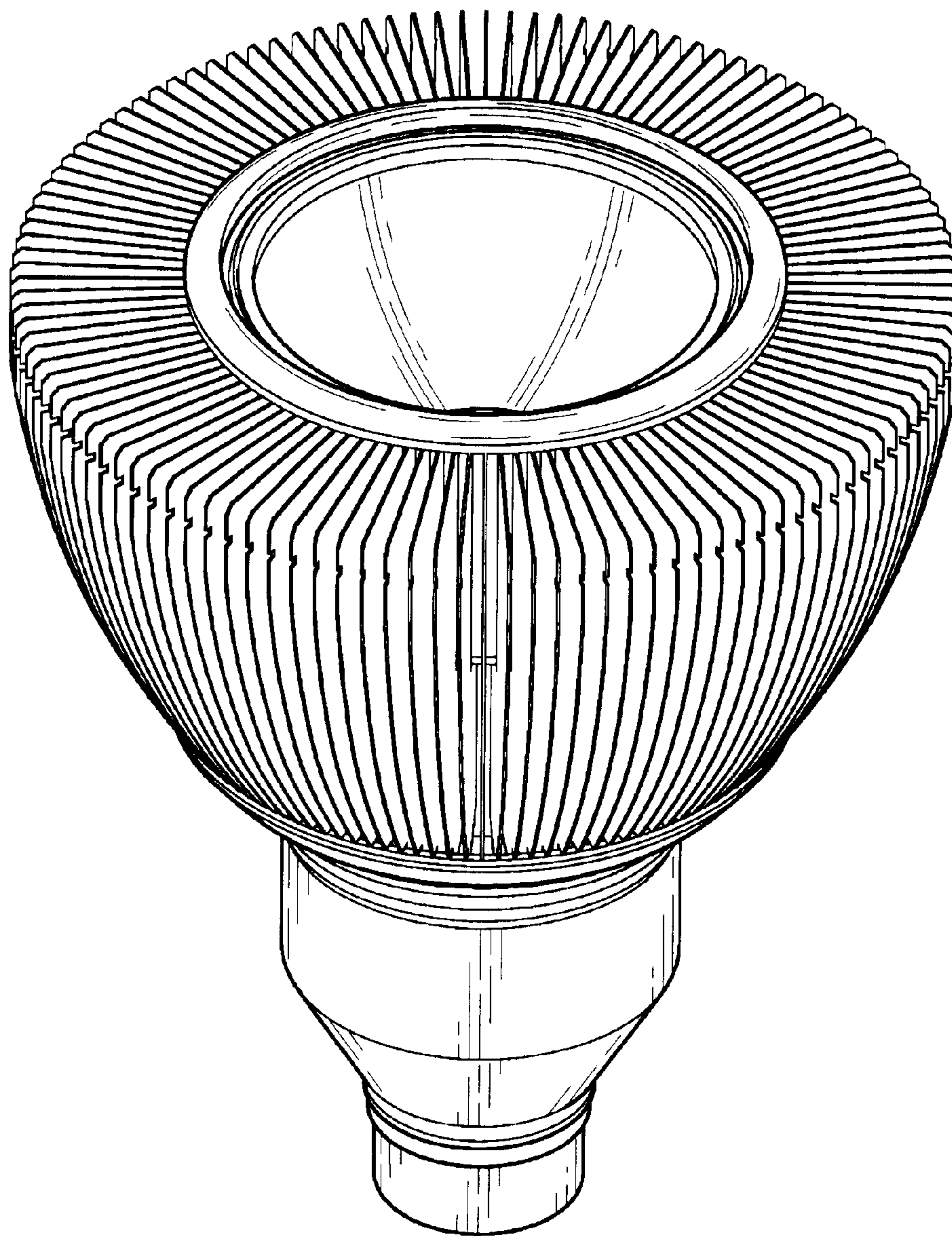


FIG.1

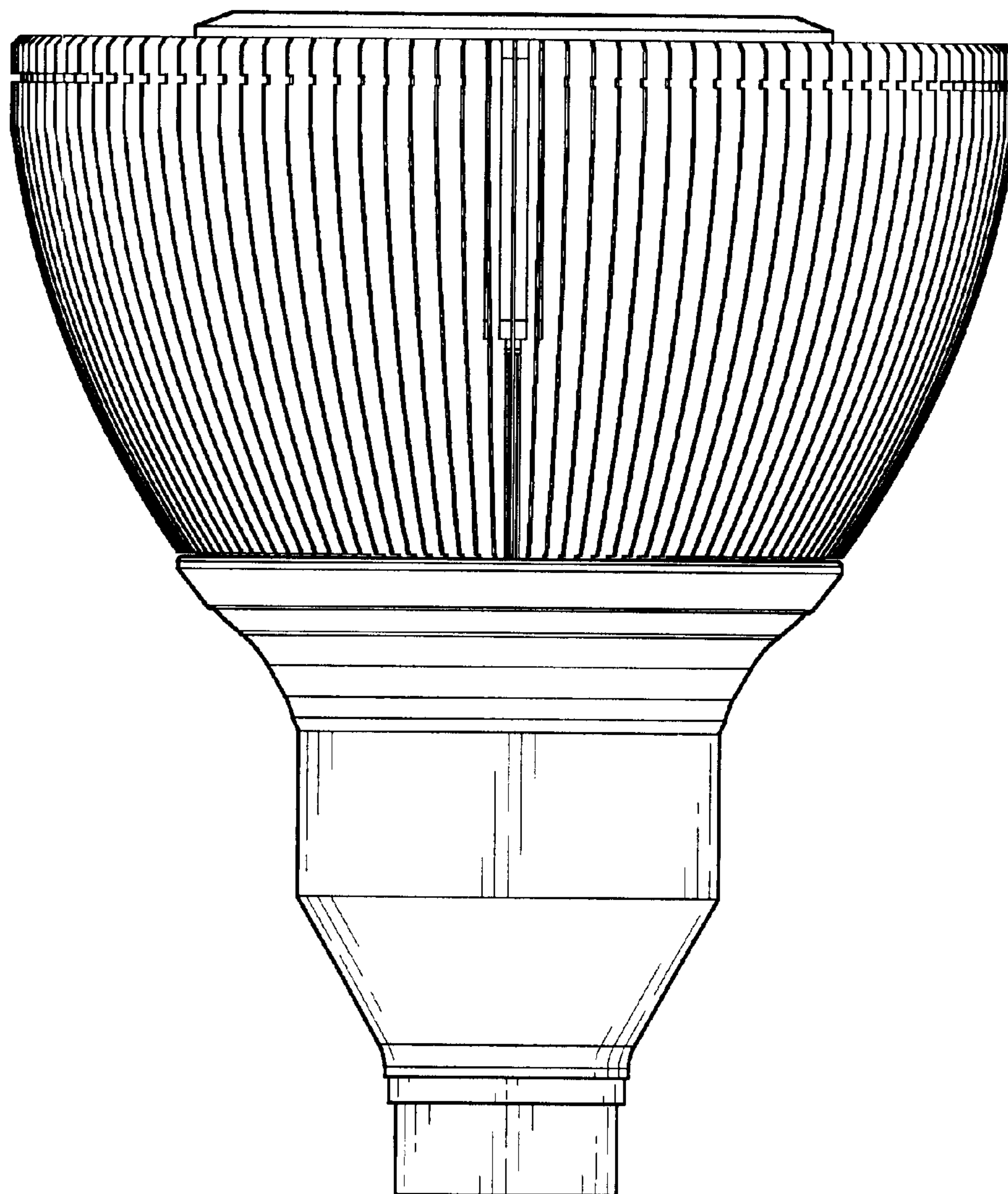


FIG.2

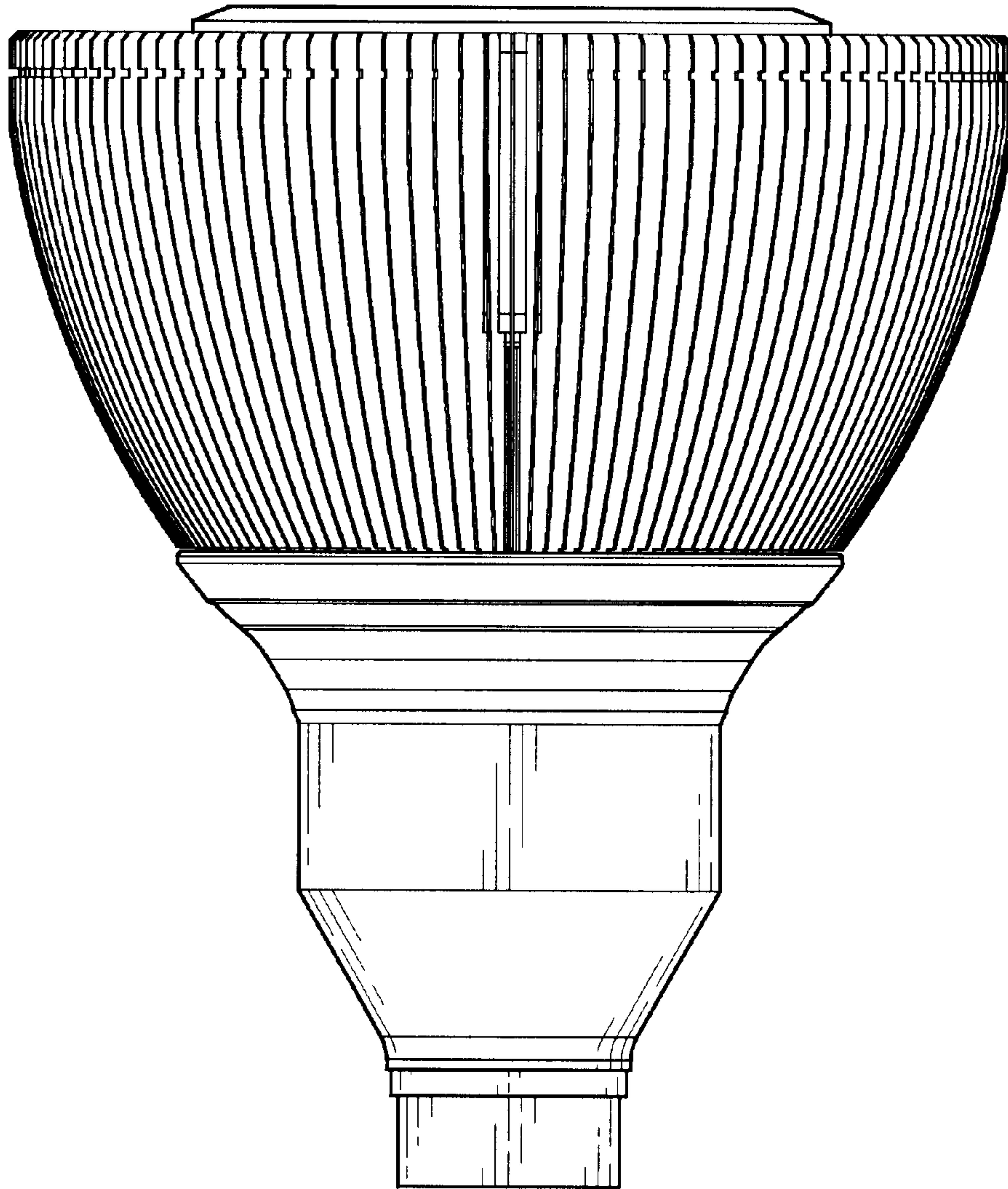


FIG.3

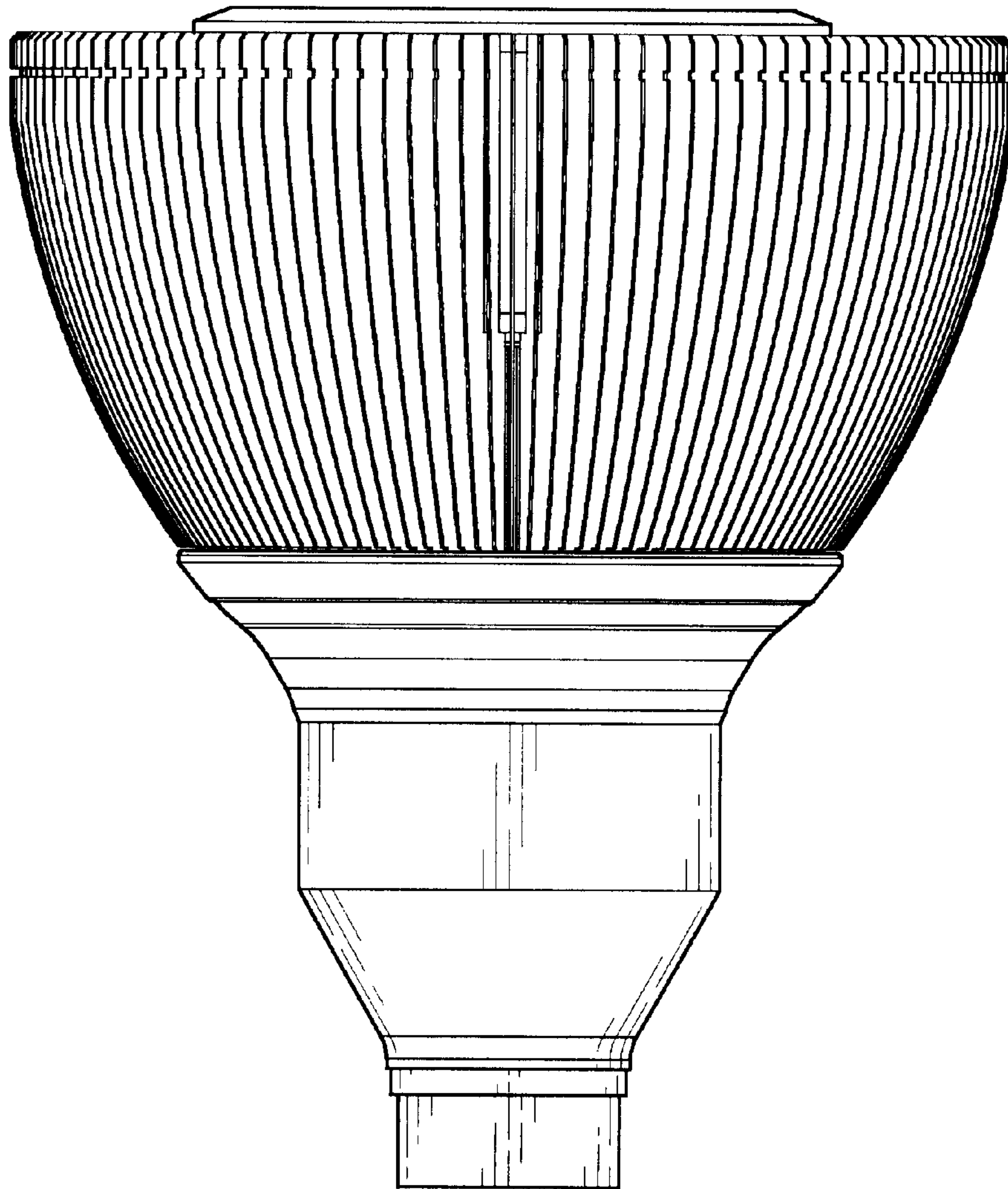


FIG.4

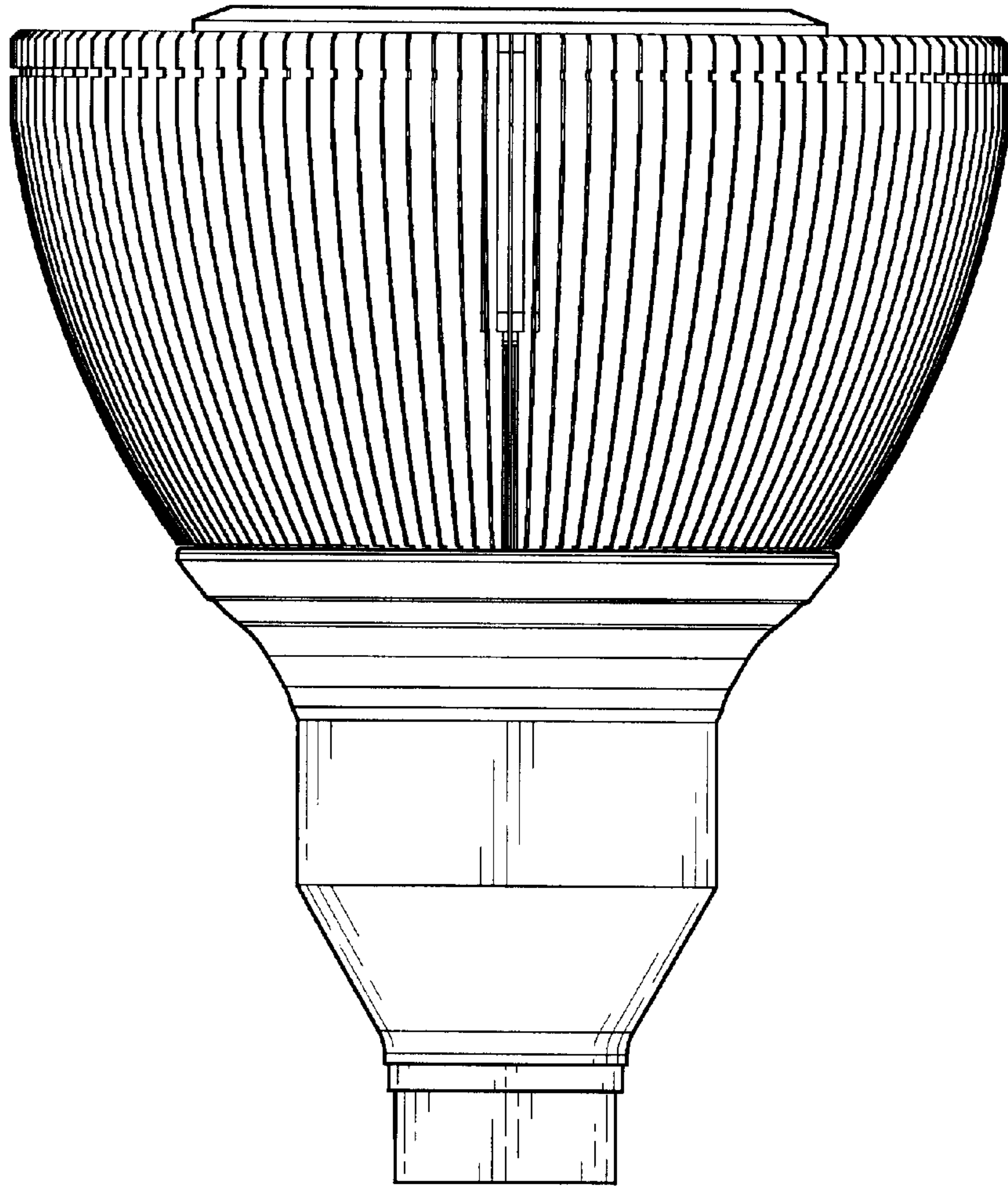


FIG.5

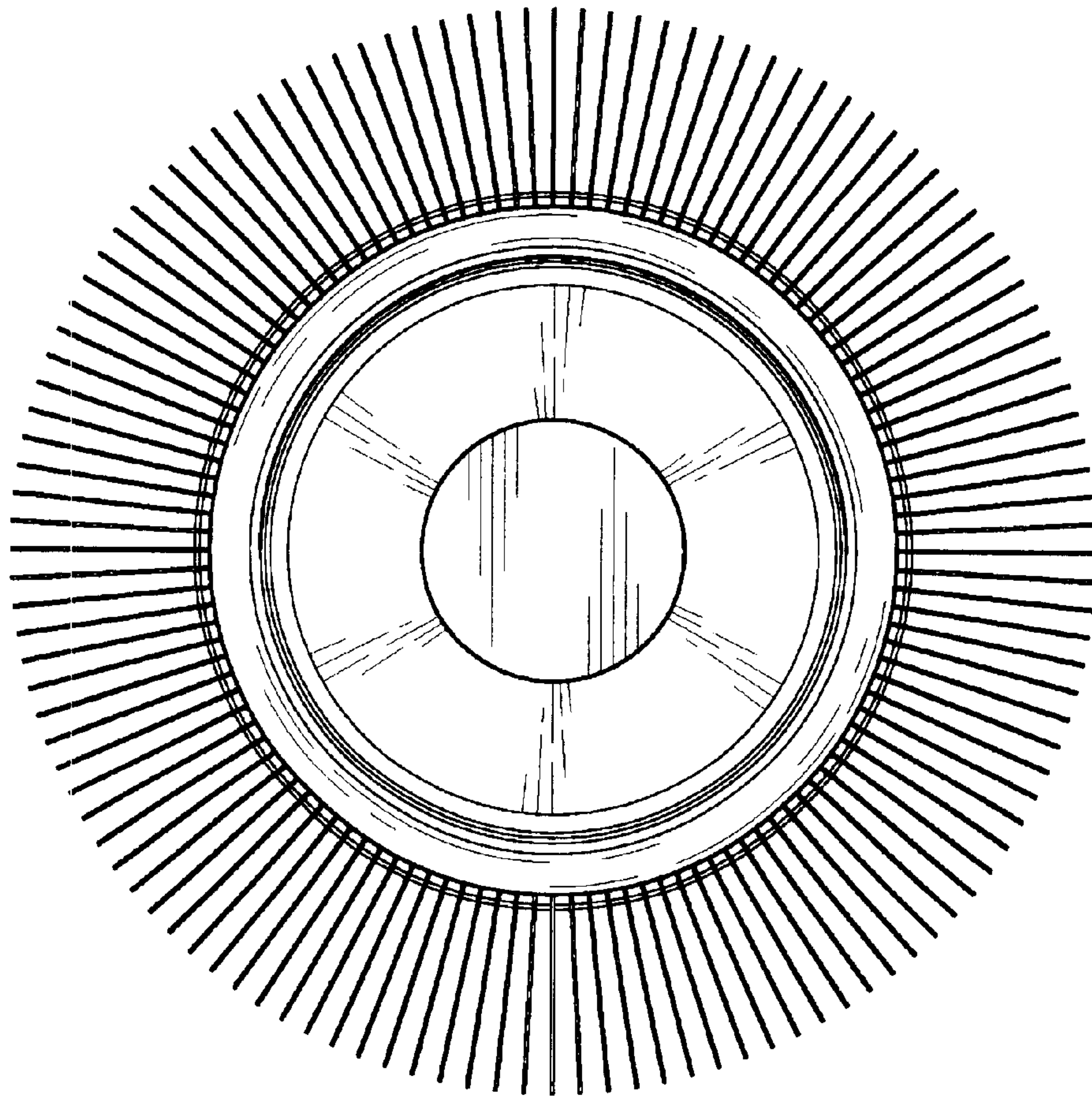


FIG.6

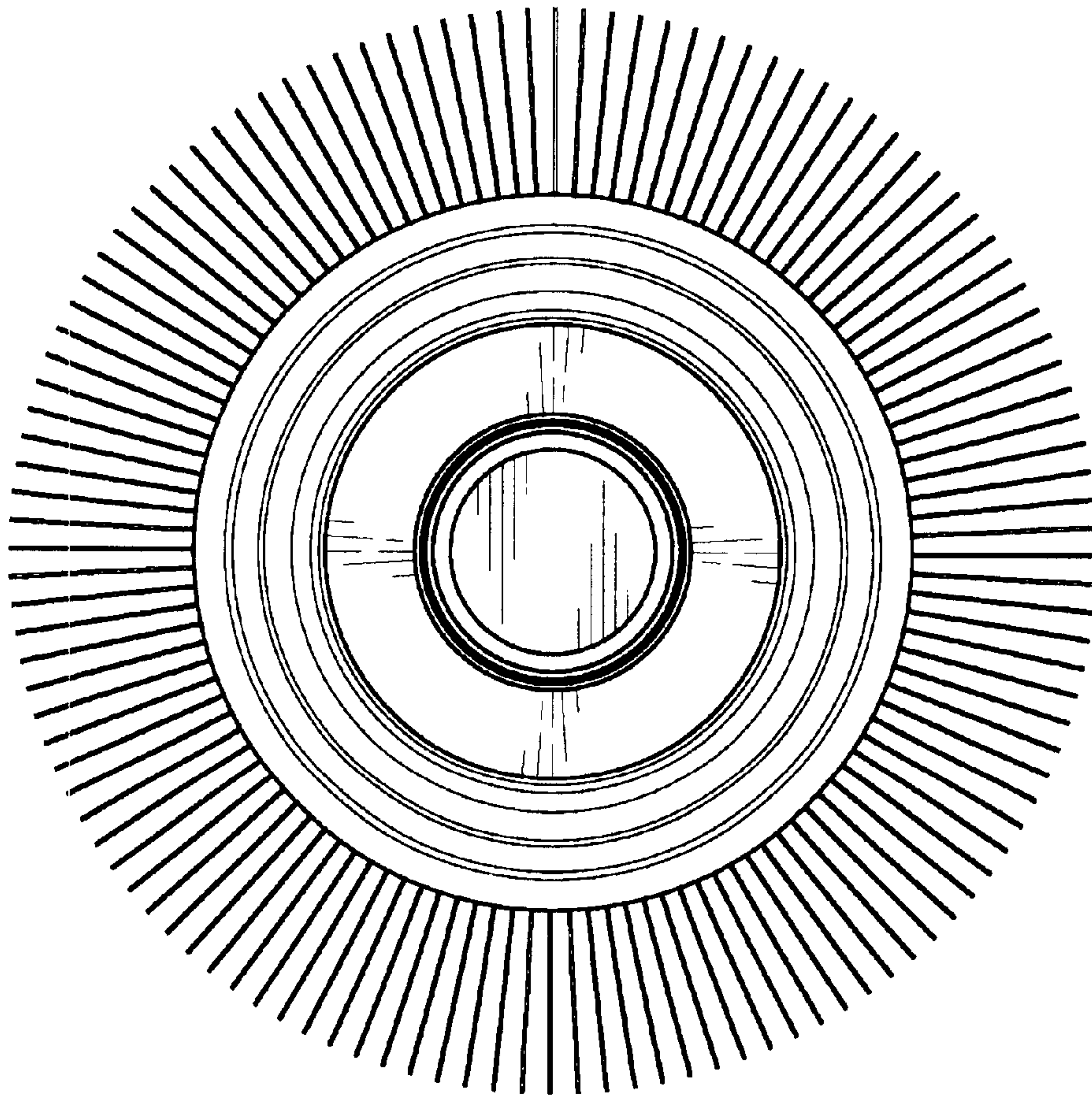


FIG.7