



US00D542421S

(12) **United States Design Patent**
Dempsey et al.

(10) **Patent No.:** **US D542,421 S**

(45) **Date of Patent:** **** May 8, 2007**

(54) **STRUCTURAL BEAM**

D426,320 S * 6/2000 Andres D25/138
6,397,550 B1 * 6/2002 Walker et al. 52/653.1

(75) Inventors: **Ross Ian Dempsey**, Calamvale (AU);
Russell Lambert Watkins, Coorparoo (AU)

* cited by examiner

Primary Examiner—Doris Clark

(73) Assignee: **Smorgon Steel LiteSteel Products Pty Ltd.**, Victoria (AU)

(74) *Attorney, Agent, or Firm*—Holme Roberts & Owen, LLP

(**) Term: **14 Years**

(57) **CLAIM**

The ornamental design for a structural beam, as shown and described.

(21) Appl. No.: **29/224,364**

(22) Filed: **Mar. 1, 2005**

DESCRIPTION

(30) **Foreign Application Priority Data**

Sep. 3, 2004 (AU) 14238/2004

(51) **LOC (8) Cl.** **25-01**

(52) **U.S. Cl.** **D25/122**

(58) **Field of Classification Search** D25/122,
D25/126; 52/433, 461, 465, 650.1, 716.1,
52/726.2, 731.2, 732.1, 724.1, 653.1; 428/121,
428/122, 126, 131, 221

See application file for complete search history.

FIG. 1 is a front view of a structural beam;
FIG. 2 is a first end view of the structural beam of FIG. 1;
FIG. 3 is a back view of the structural beam of FIG. 1;
FIG. 4 is a first side view of the structural beam of FIG. 1;
FIG. 5 is a second end view of the structural beam of FIG. 1;
FIG. 6 is a second side view of the structural beam of FIG. 1;
FIG. 7 is a first perspective view of the structural beam of FIG. 1; and,
FIG. 8 is a second perspective view of the structural beam of FIG. 1.

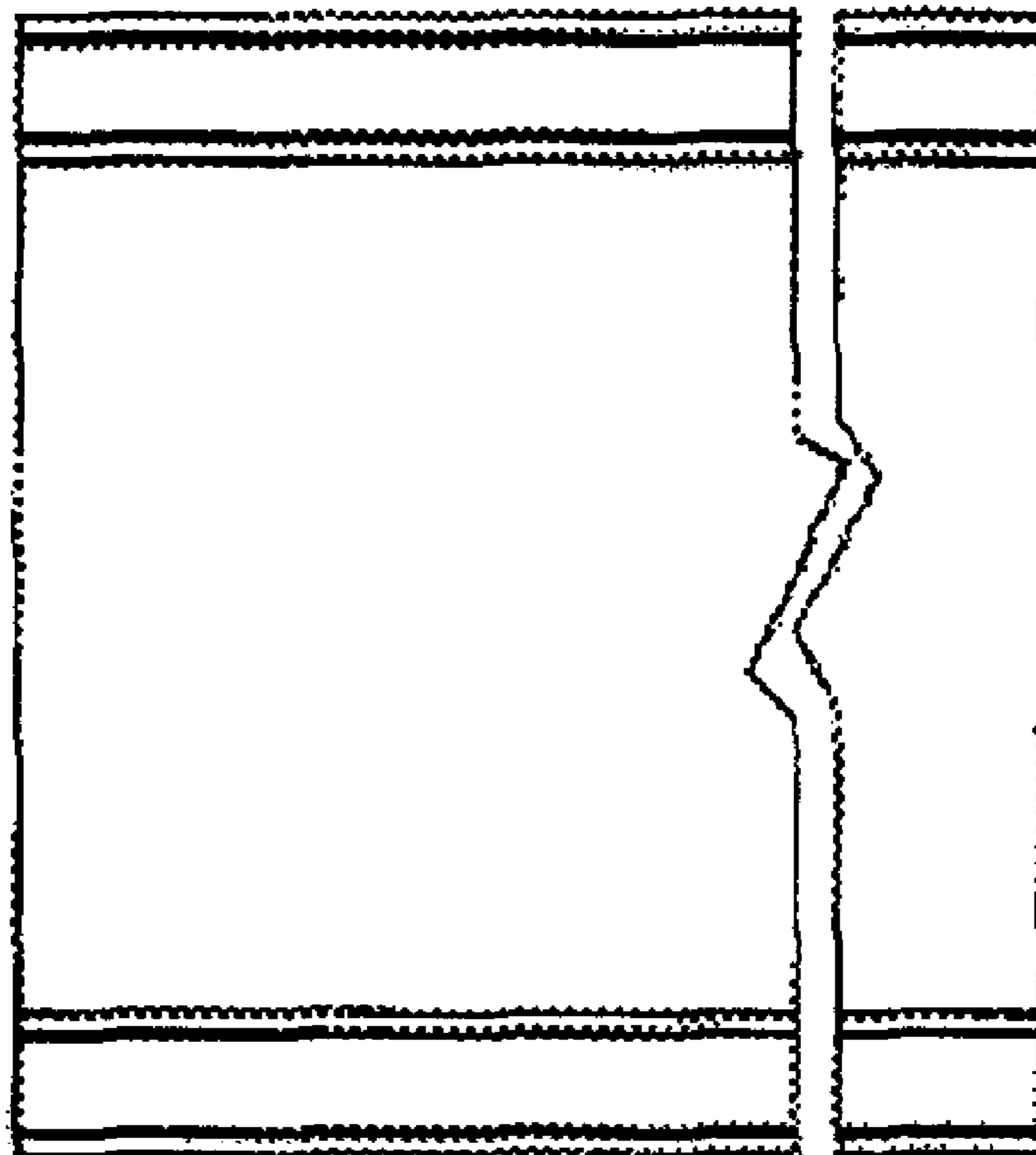
The claimed design has been broken near one end to indicate indeterminate length.

(56) **References Cited**

U.S. PATENT DOCUMENTS

D291,832 S * 9/1987 Lundstrom D25/122

1 Claim, 1 Drawing Sheet



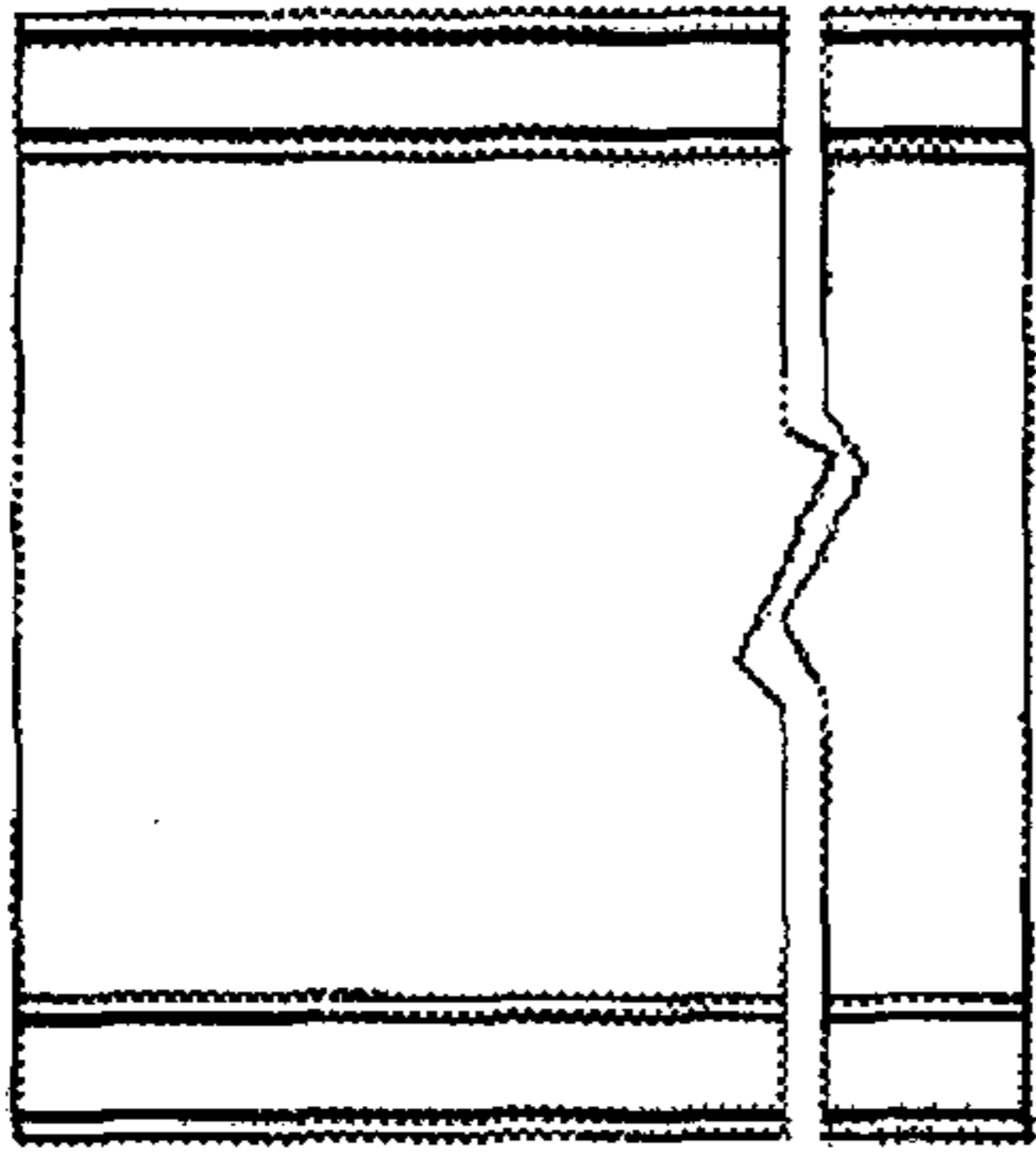


Fig. 1



Fig. 2

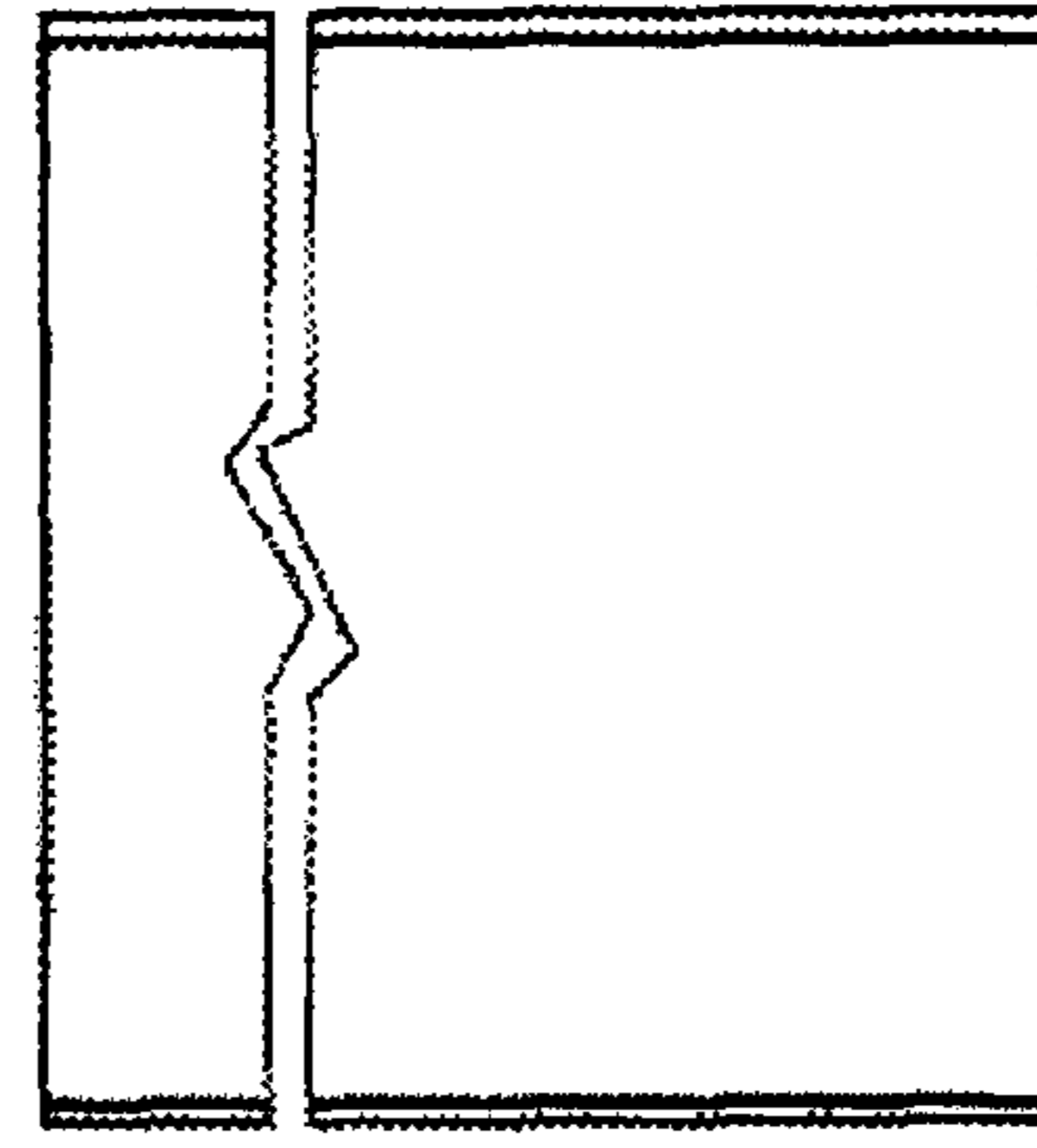


Fig. 3

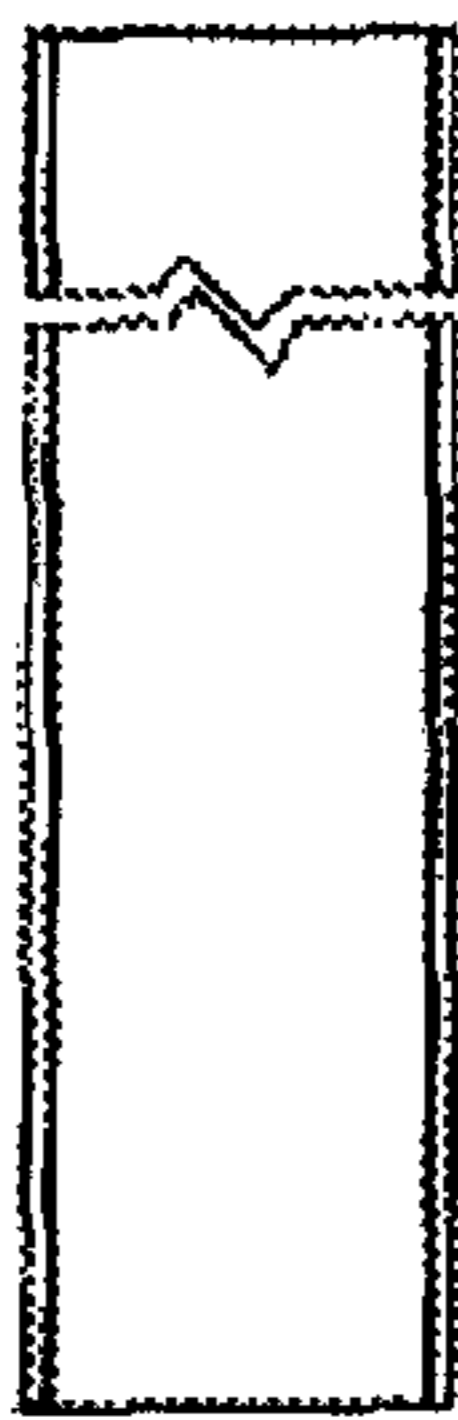


Fig. 4

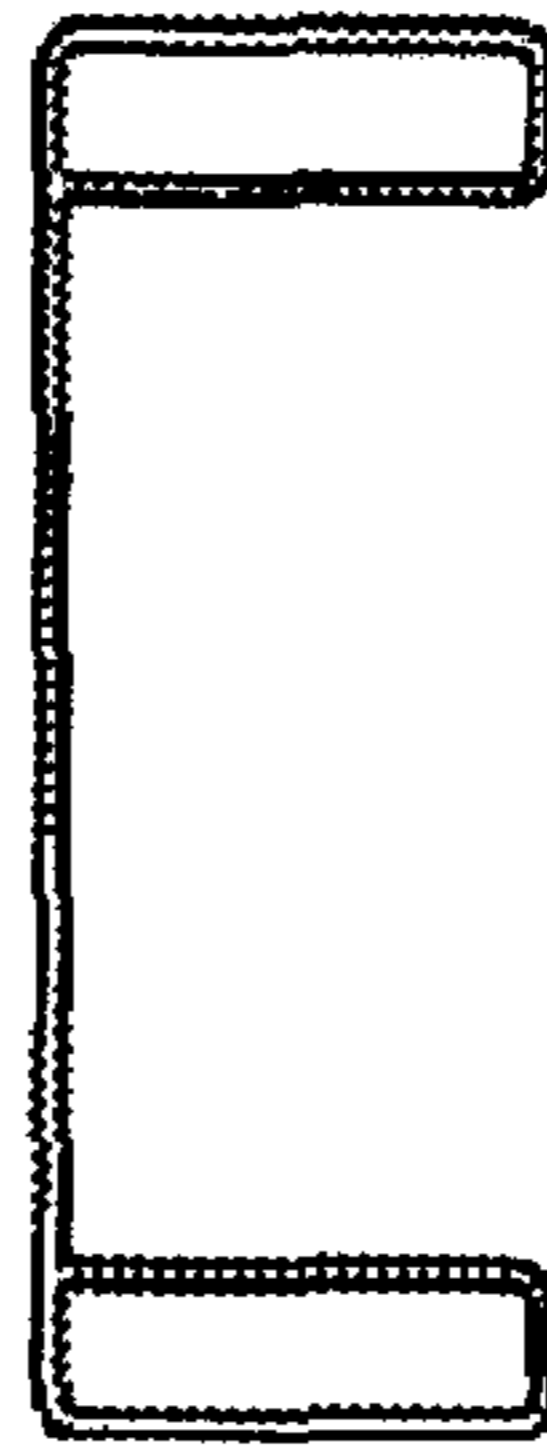


Fig. 5

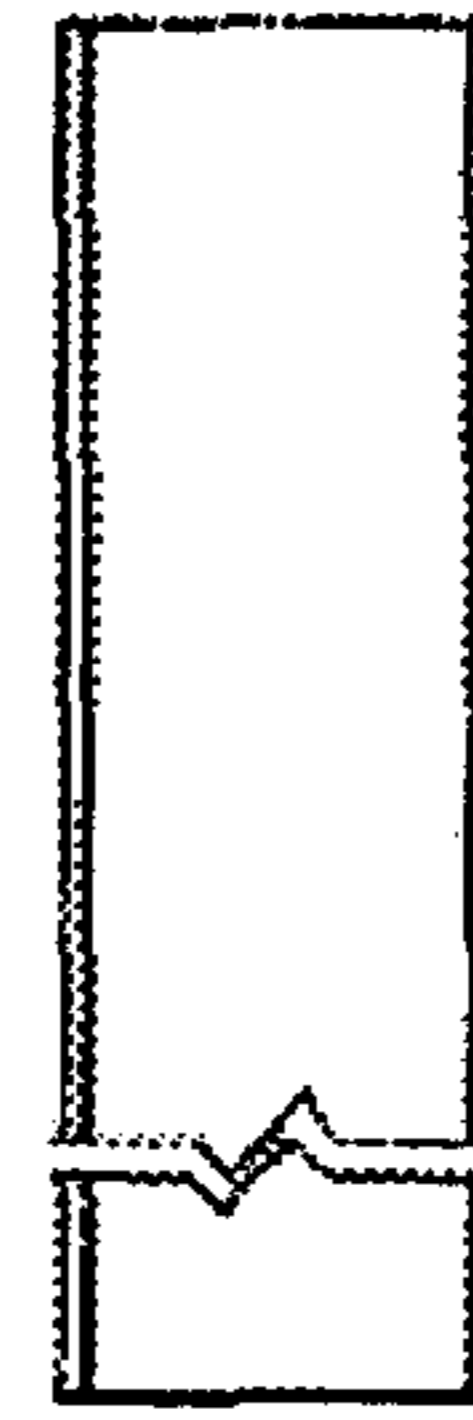


Fig. 6

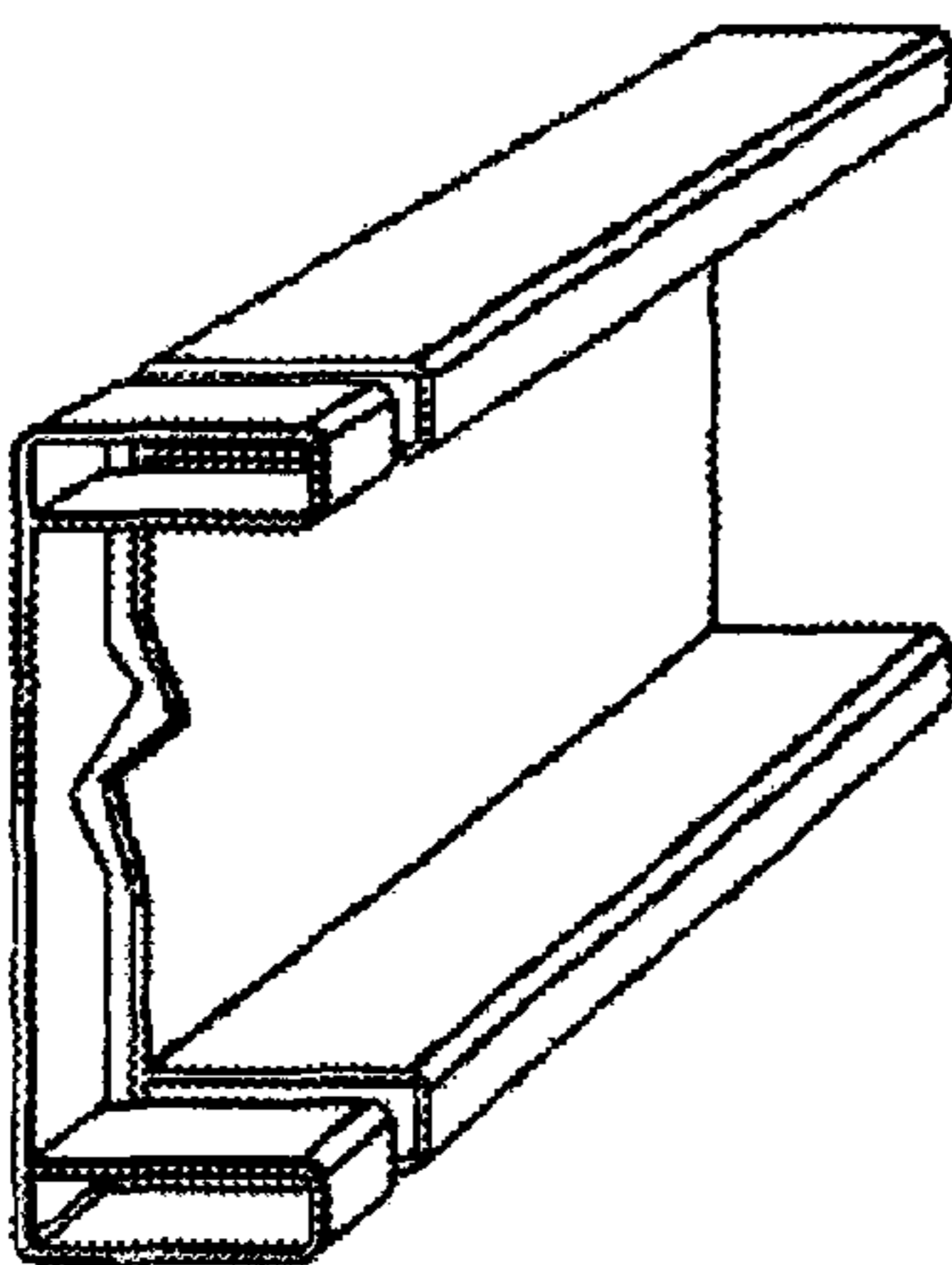


Fig. 7

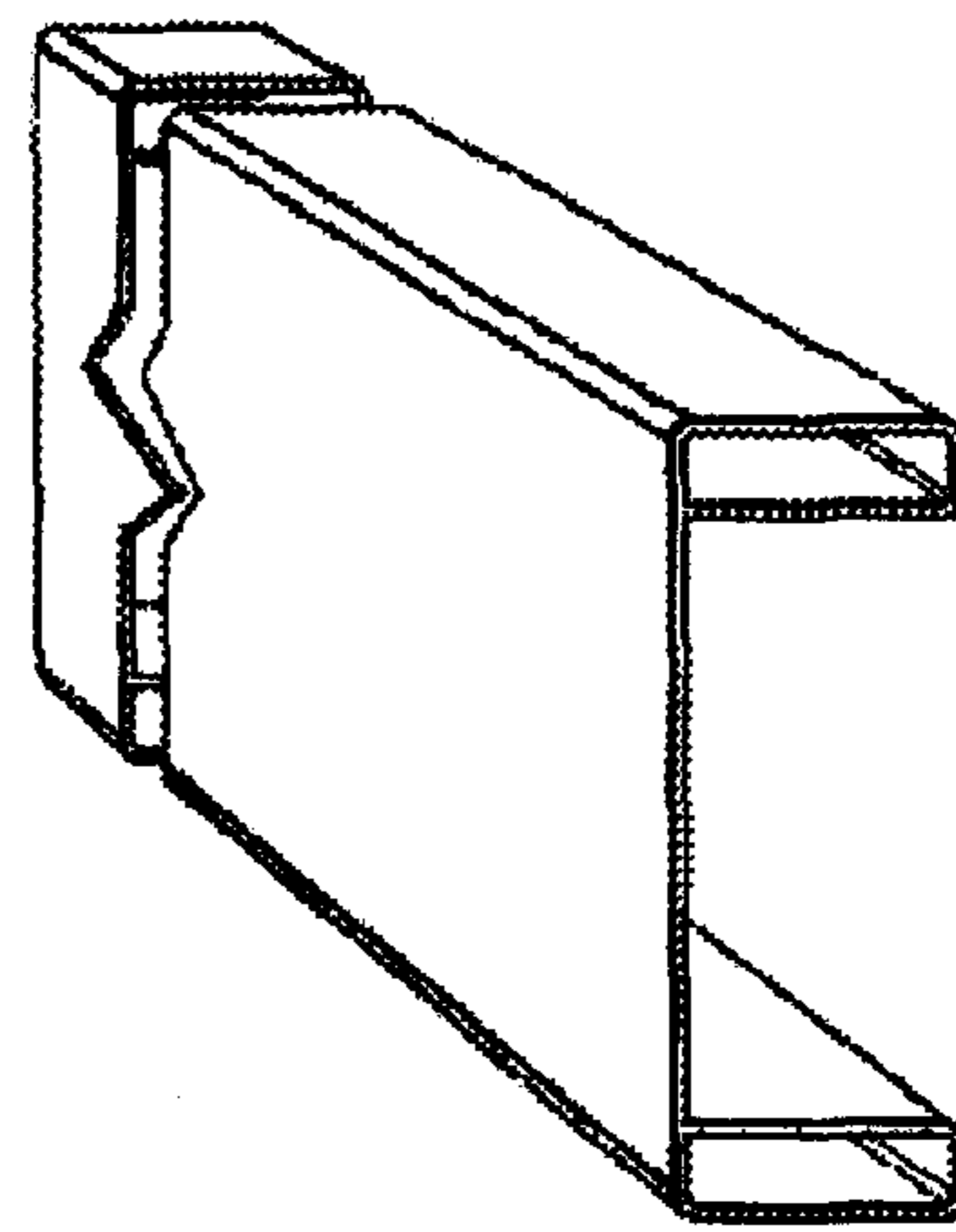


Fig. 8