



US00D542415S

(12) **United States Design Patent**
Sandel

(10) **Patent No.:** **US D542,415 S**

(45) **Date of Patent:** **** May 8, 2007**

(54) **SURGICAL INSTRUMENT SLEEVE**

(76) Inventor: **Dan S. Sandel**, 9540 Desoto Ave.,
Chatsworth, CA (US) 91311

(**) Term: **14 Years**

(21) Appl. No.: **29/225,721**

(22) Filed: **Mar. 19, 2005**

(51) **LOC (8) Cl.** **24-02**

(52) **U.S. Cl.** **D24/133**

(58) **Field of Classification Search** D24/133,
D24/140; D10/62, 70, 71; D19/36; 401/195,
401/52; 33/483

See application file for complete search history.

(56) **References Cited**

U.S. PATENT DOCUMENTS

| | | | | | |
|------------|---|--------|--------|-------|--------|
| D258,911 S | * | 4/1981 | Sandel | | D10/62 |
| D264,824 S | * | 6/1982 | Sandel | | D10/71 |
| D272,421 S | * | 1/1984 | Sandel | | D10/71 |

* cited by examiner

Primary Examiner—Antoine D. Davis

Assistant Examiner—Christopher Lee

(74) *Attorney, Agent, or Firm*—Perkins Coie LLP

(57) **CLAIM**

The ornamental design for a surgical instrument sleeve, as shown in the drawings.

DESCRIPTION

FIGS. 1-6 show a first embodiment of new design, wherein:

FIG. 1 is top, left side and front end perspective view.

FIG. 2 is a top view.

FIG. 3 is a left side view.

FIG. 4 is a back end view. The front end view is the same as the back end view.

FIG. 5 is a right side view.

FIG. 6 is a bottom view.

FIG. 7 is a top, left side, and front end perspective view.

FIG. 8 is a left side view.

FIG. 9 is a right side view.

The top, back end, and bottom views are the same as shown in FIGS. 2, 4 and 6. The trademark TIME OUT is owned by Sandel Medical Industries, Inc. Chatsworth, CA.

FIGS. 10-16 show another embodiment of my design wherein:

FIG. 10 is top, left side, and front end perspective view.

FIG. 11 is a top view.

FIG. 12 is a left side view.

FIG. 13 is a back end view. The front end view is the same as the back end view.

FIG. 14 is a right side view.

FIG. 15 is a bottom view.

FIG. 16 is a top, left side and front end perspective view with the label shown in FIGS. 10-12 and 15 peeling off of the sleeve.

FIG. 17 is a perspective view of the sleeve shown in FIG. 7 in use on a surgical scalpel.

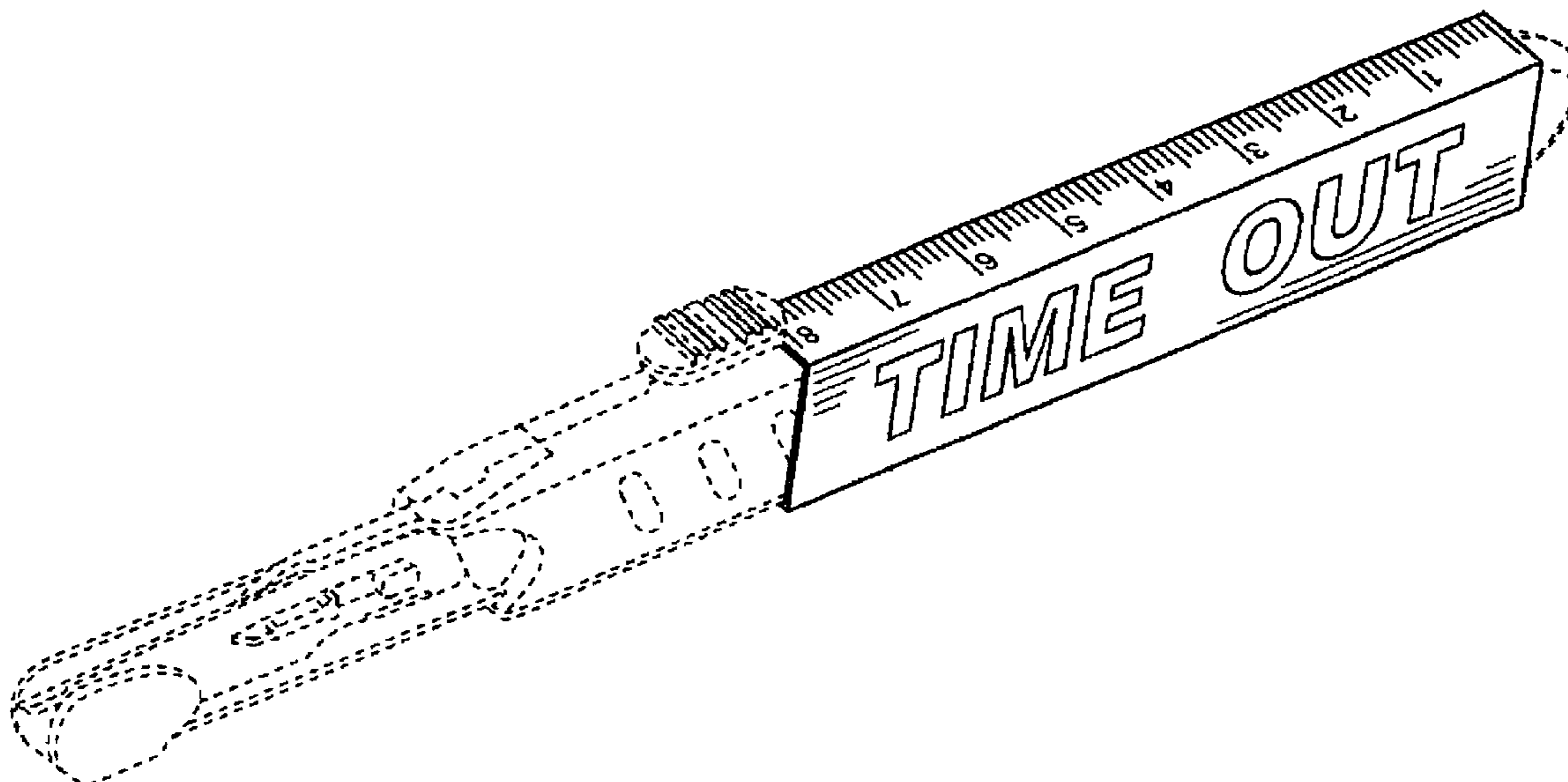
FIG. 18 is a perspective view of the sleeve shown in FIG. 7 in use on a surgical skin marker; and,

FIG. 19 is a perspective view of another embodiment having a square profile, wherein the claimed design is also symmetrical about each centerline.

The millimeter/centimeter scale marking and numerals are unclaimed subject matter in each of the Figures.

The broken line showing is for illustrative purposes only and forms no part of the claimed design.

1 Claim, 4 Drawing Sheets



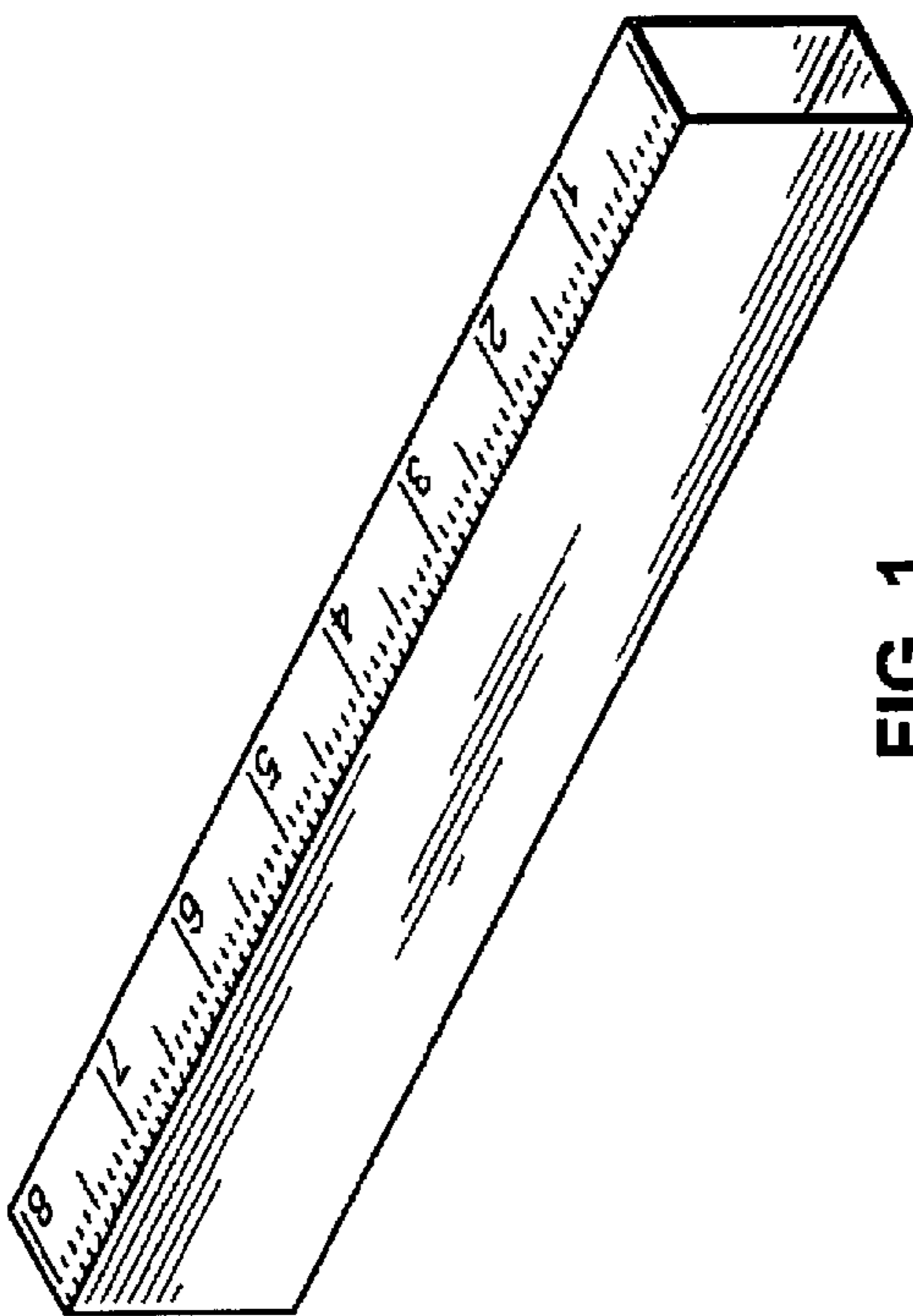


FIG. 1



FIG. 4

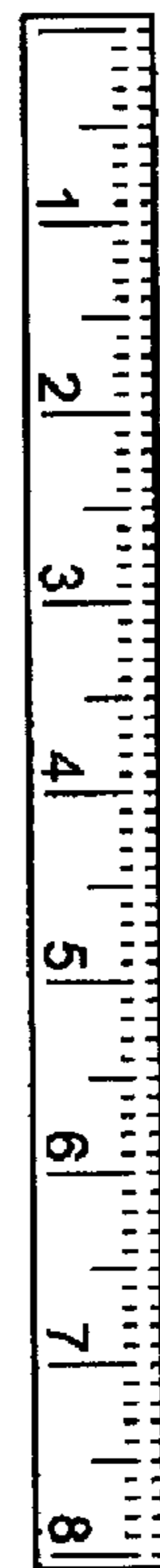


FIG. 2



FIG. 6

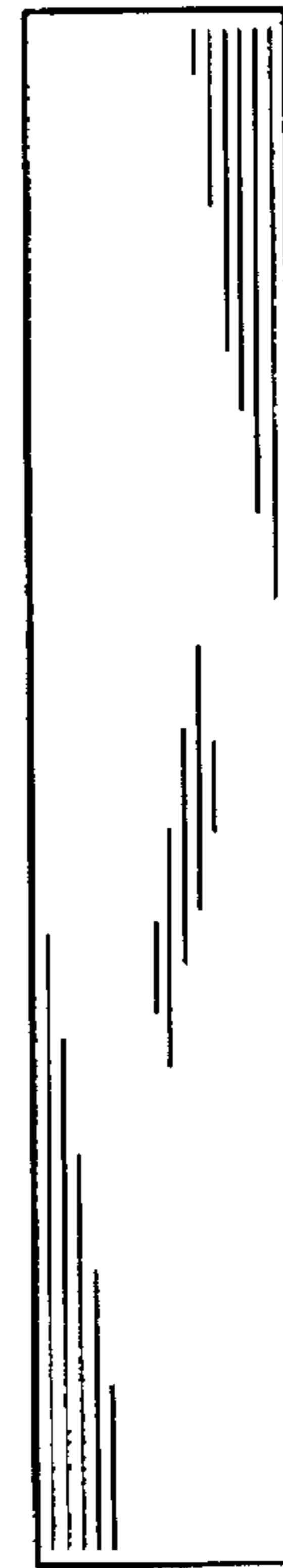


FIG. 3

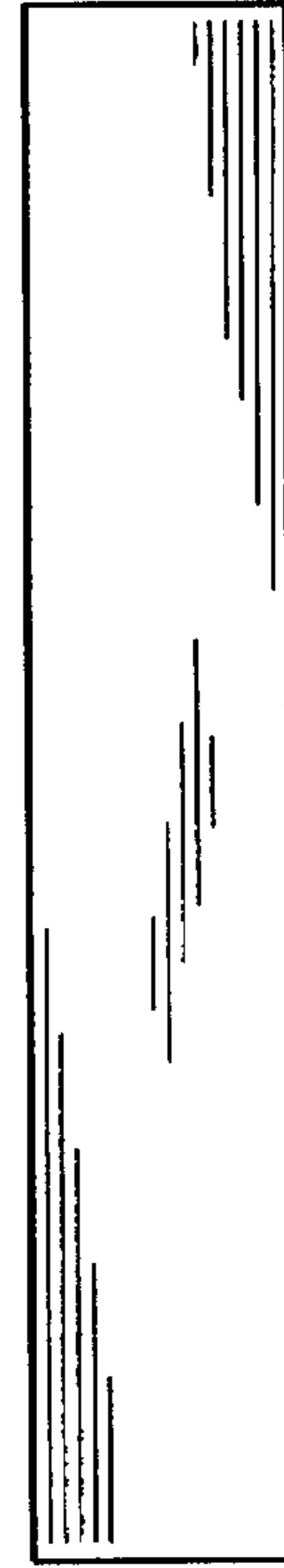


FIG. 5

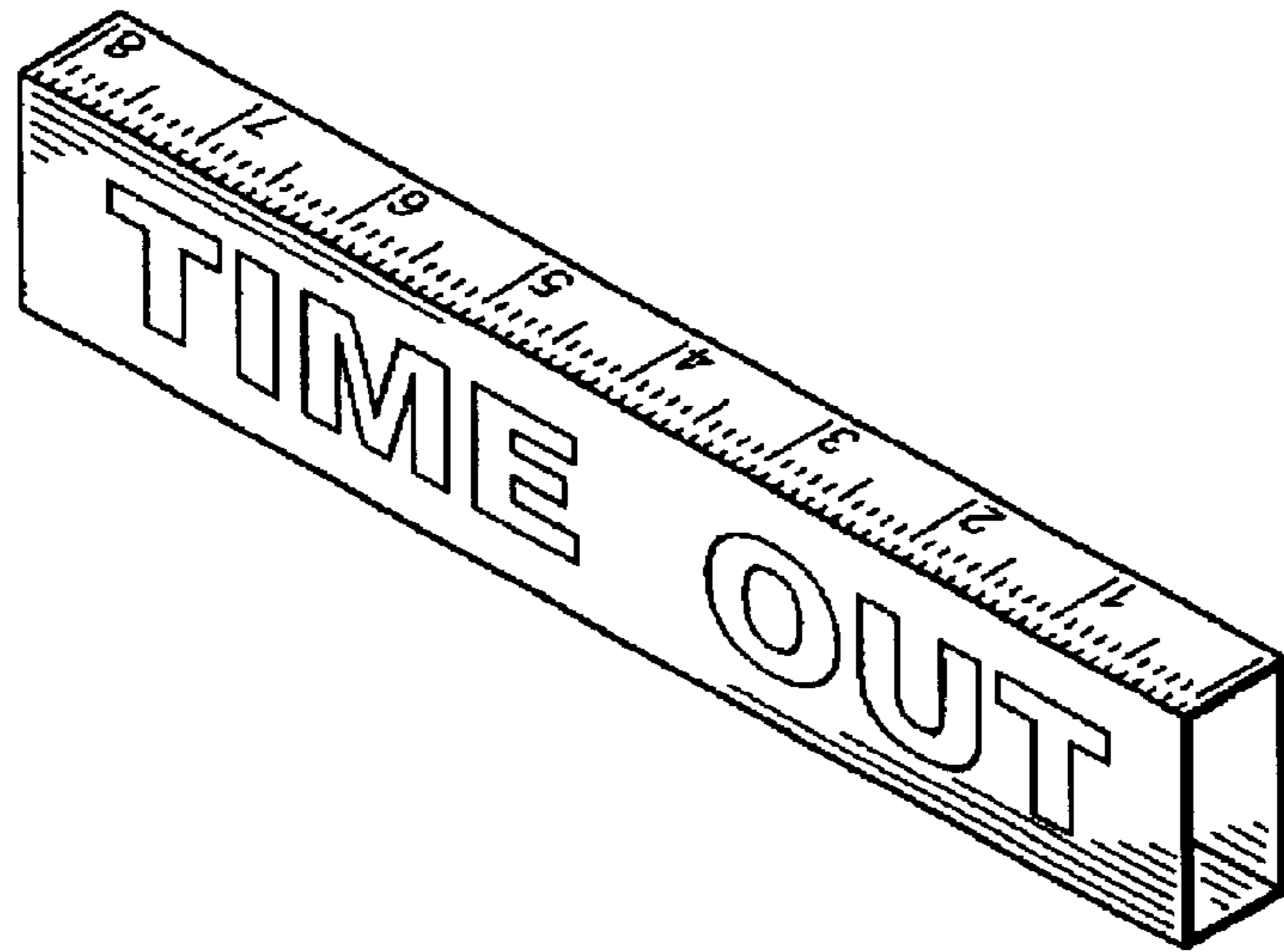


FIG. 7

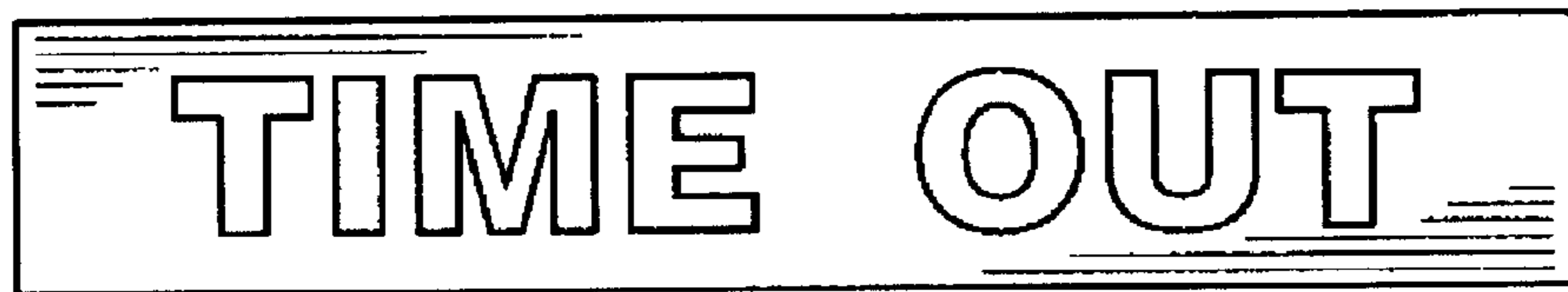


FIG. 8

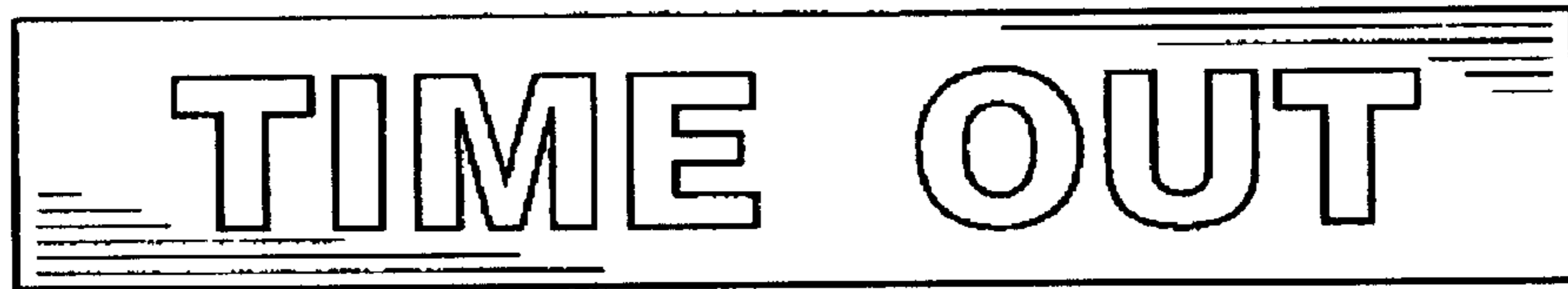


FIG. 9

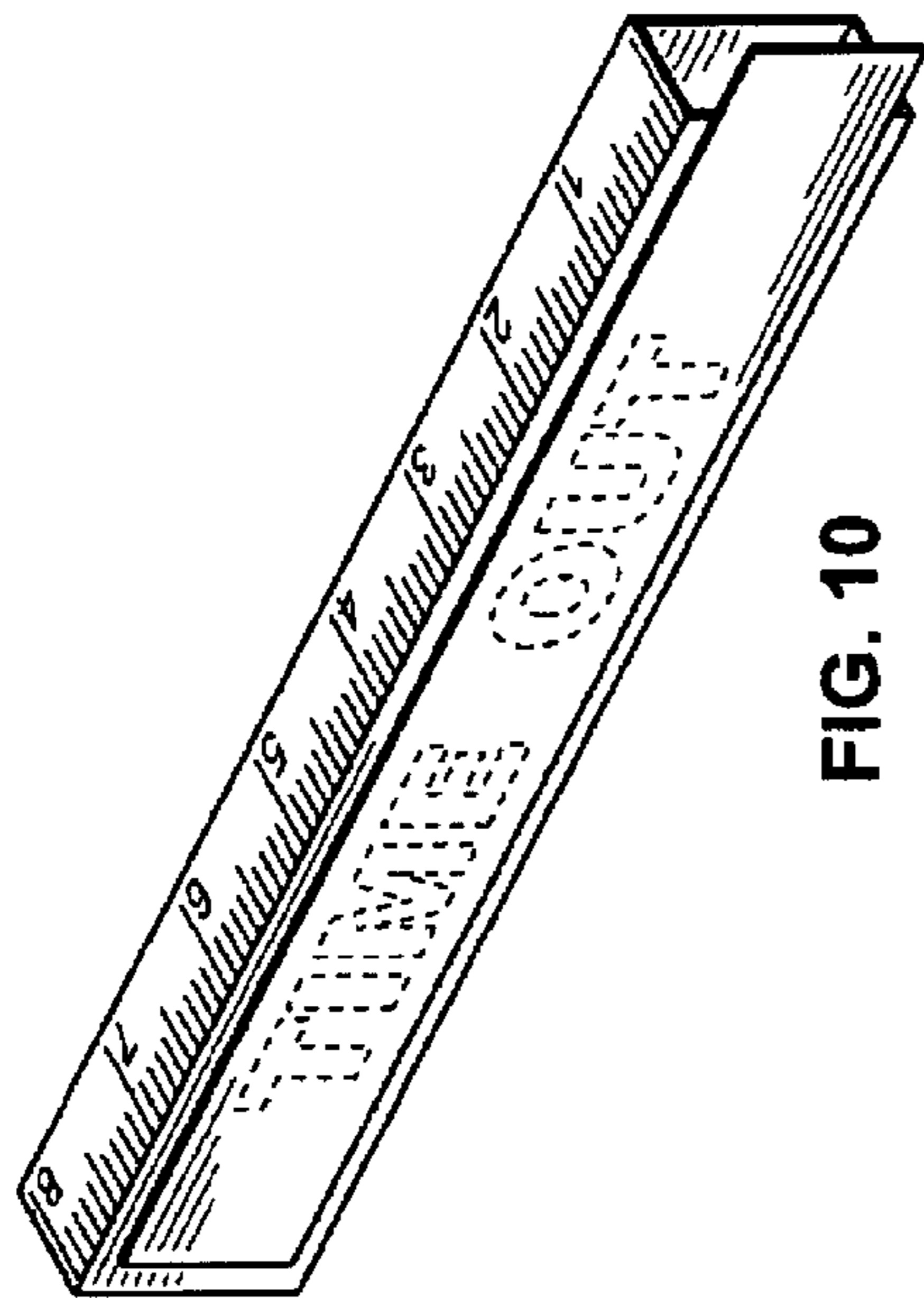


FIG. 10



FIG. 11

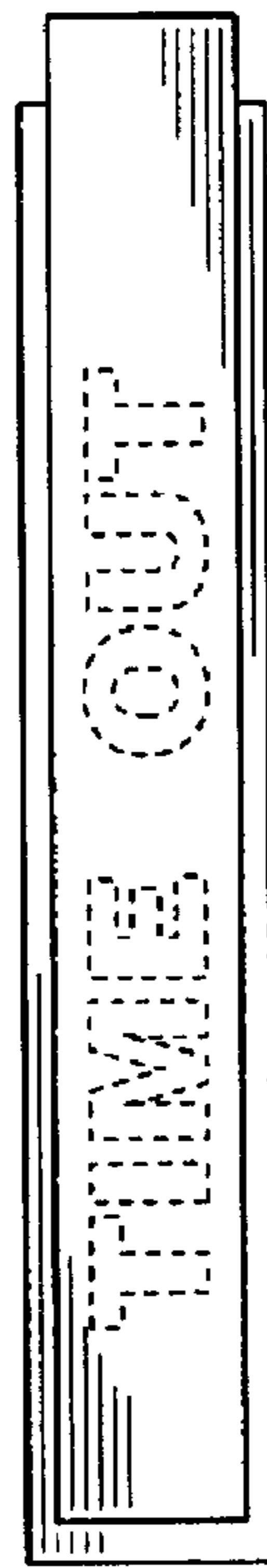


FIG. 12



FIG. 13

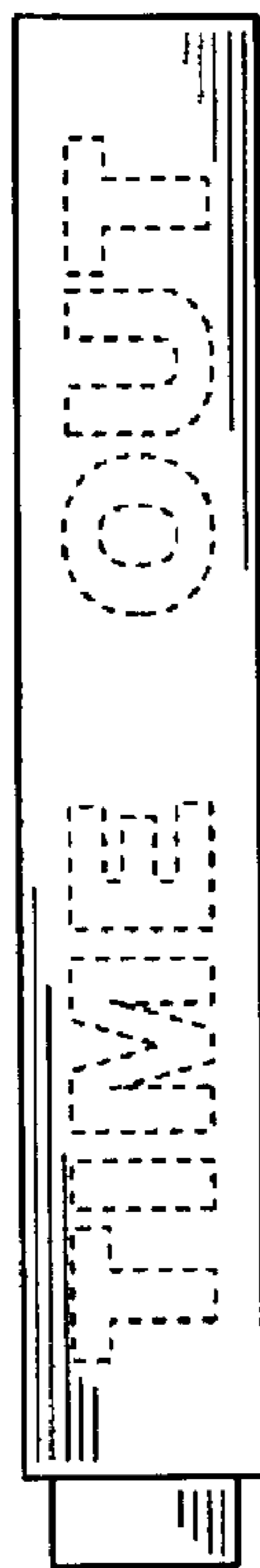


FIG. 14



FIG. 15

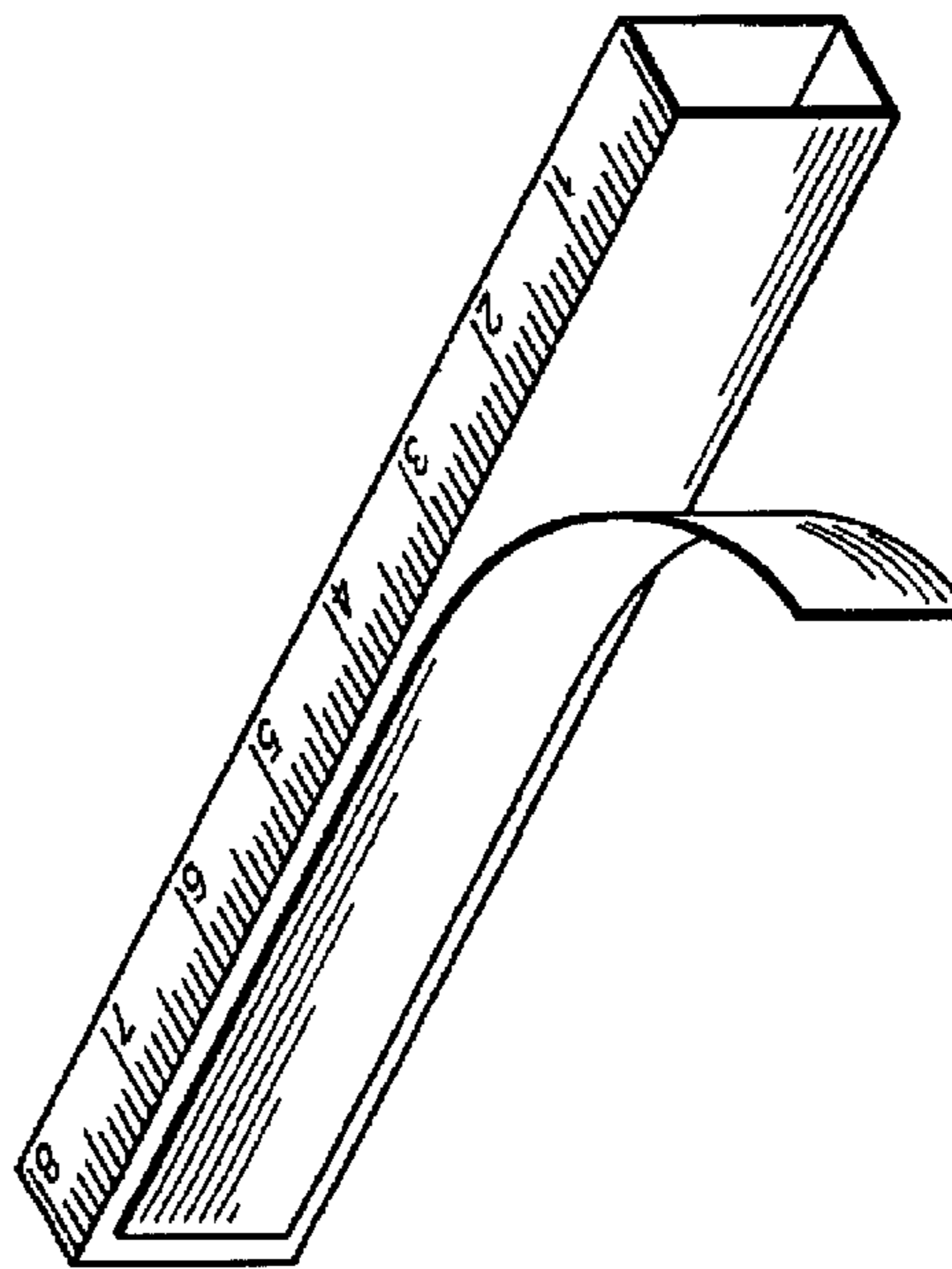


FIG. 16

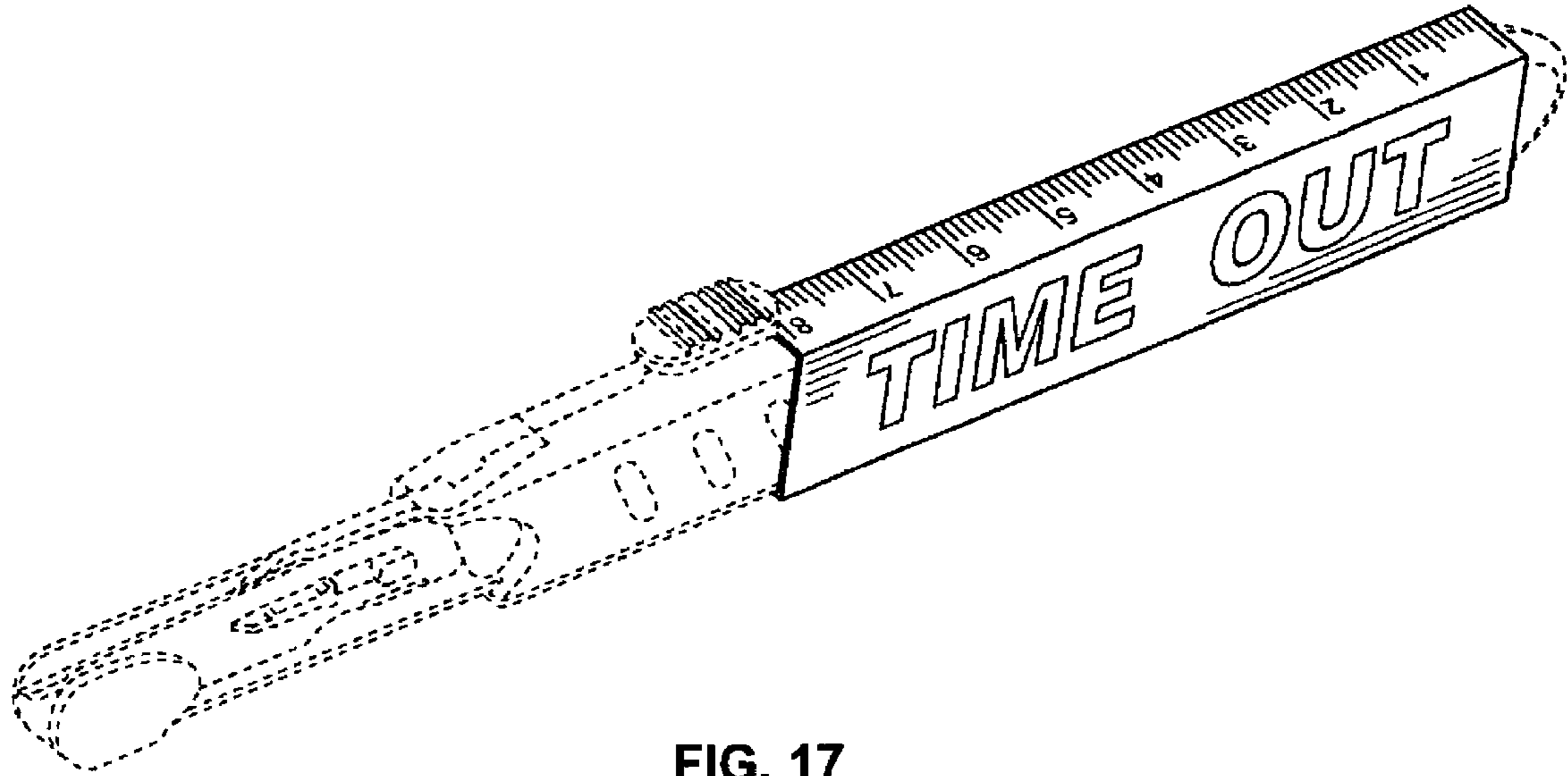


FIG. 17

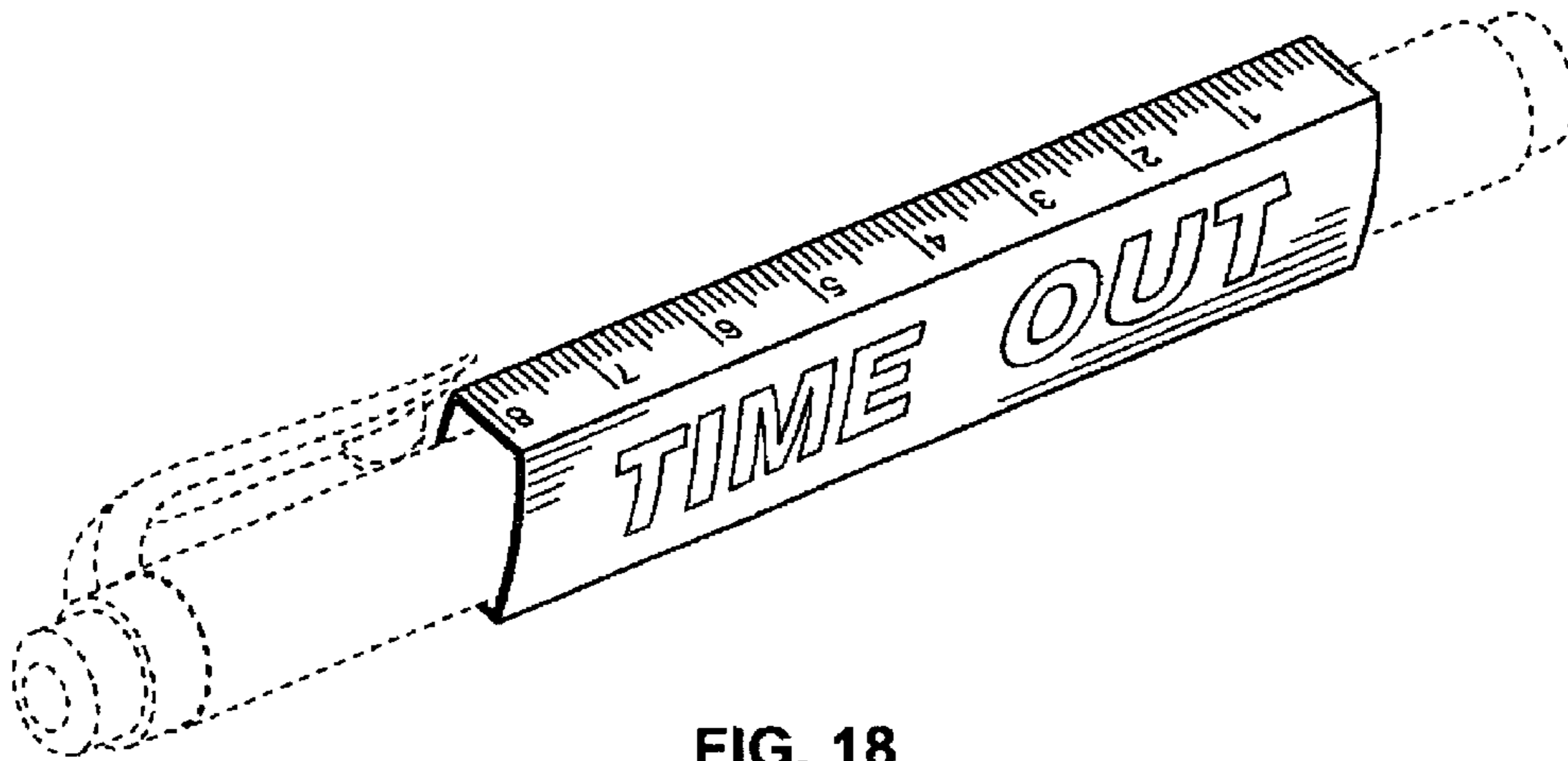


FIG. 18

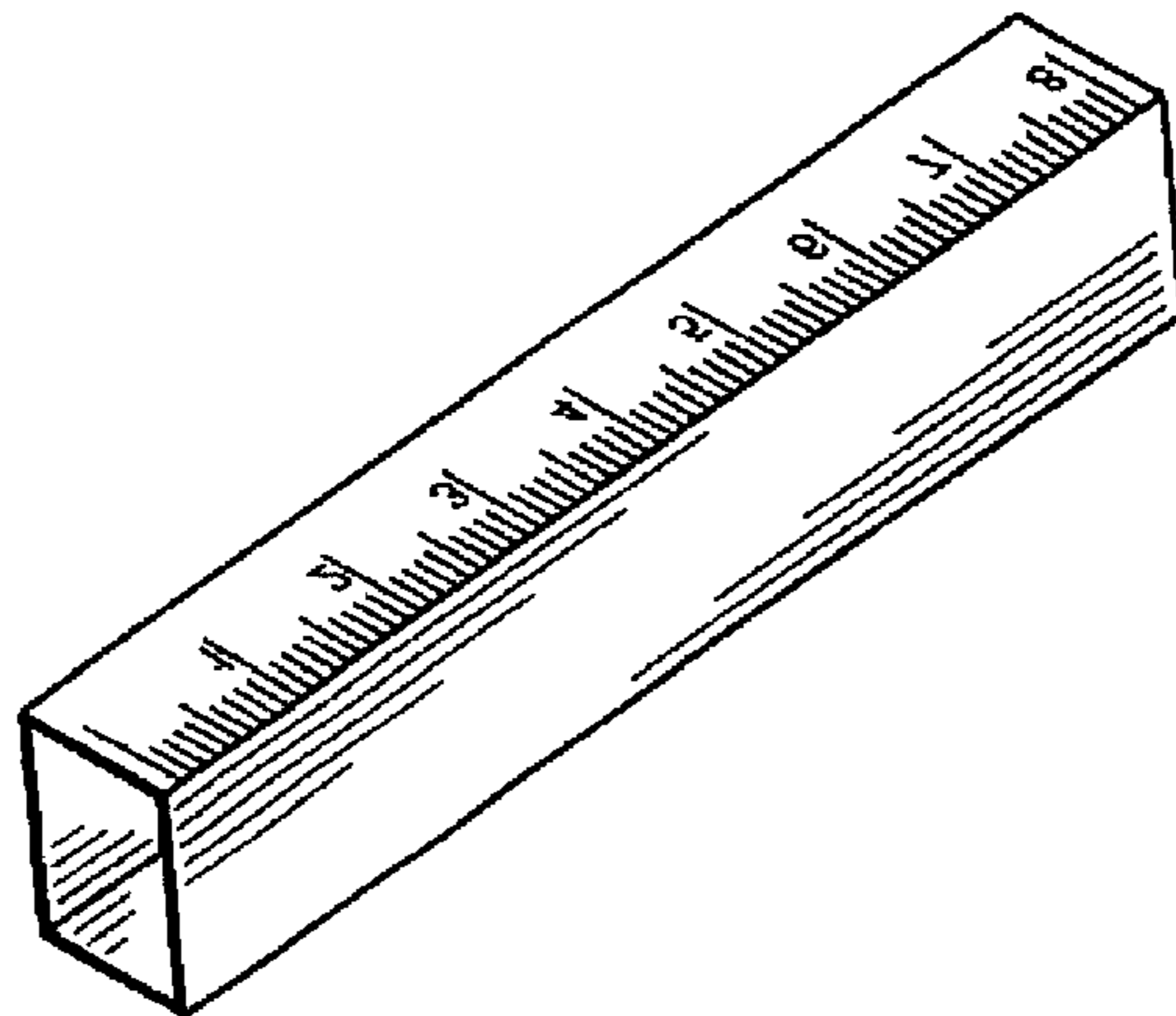


FIG. 19