

US00D542406S

(12) **United States Design Patent**
Knight et al.

(10) **Patent No.:** **US D542,406 S**

(45) **Date of Patent:** **** May 8, 2007**

(54) **ORAL SYRINGE ADAPTER**

(75) Inventors: **Thomas F. Knight**, Trabuco Canyon, CA (US); **Jeffrey L. Nielsen**, Garden Grove, CA (US)

(73) Assignee: **Codan US Corporation**, Santa Ana, CA (US)

(**) Term: **14 Years**

(21) Appl. No.: **29/221,375**

(22) Filed: **Jan. 13, 2005**

(51) **LOC (8) Cl.** **24-02**

(52) **U.S. Cl.** **D24/108; D24/129; D24/130**

(58) **Field of Classification Search** D24/108, D24/112, 113, 114, 120, 129, 130, 222, 147, D24/164, 176, 180; D10/84, 94; 600/573, 600/577, 578, 570; 604/411, 68-70, 173, 604/187, 192, 218

See application file for complete search history.

(56) **References Cited**

U.S. PATENT DOCUMENTS

D293,821 S	*	1/1988	Vaillancourt	D24/147
D297,365 S	*	8/1988	Barnett	D24/130
D448,844 S	*	10/2001	Reis	D24/114
D508,995 S	*	8/2005	Mitchell et al.	D24/129

* cited by examiner

Primary Examiner—Ian Simmons

Assistant Examiner—Christopher Lee

(74) *Attorney, Agent, or Firm*—Sheppard, Mullin, Richter & Hampton LLP

(57) **CLAIM**

We claim the ornamental design for an oral syringe adapter, as shown and described.

DESCRIPTION

FIG. 1 is a bottom right perspective view of an oral syringe adapter embodying our new design.

FIG. 2 is a front elevational view of an oral syringe adapter of FIG. 1.

FIG. 3 is a rear elevational view of an oral syringe adapter of FIG. 1.

FIG. 4 is a right side elevational view of an oral syringe adapter of FIG. 1.

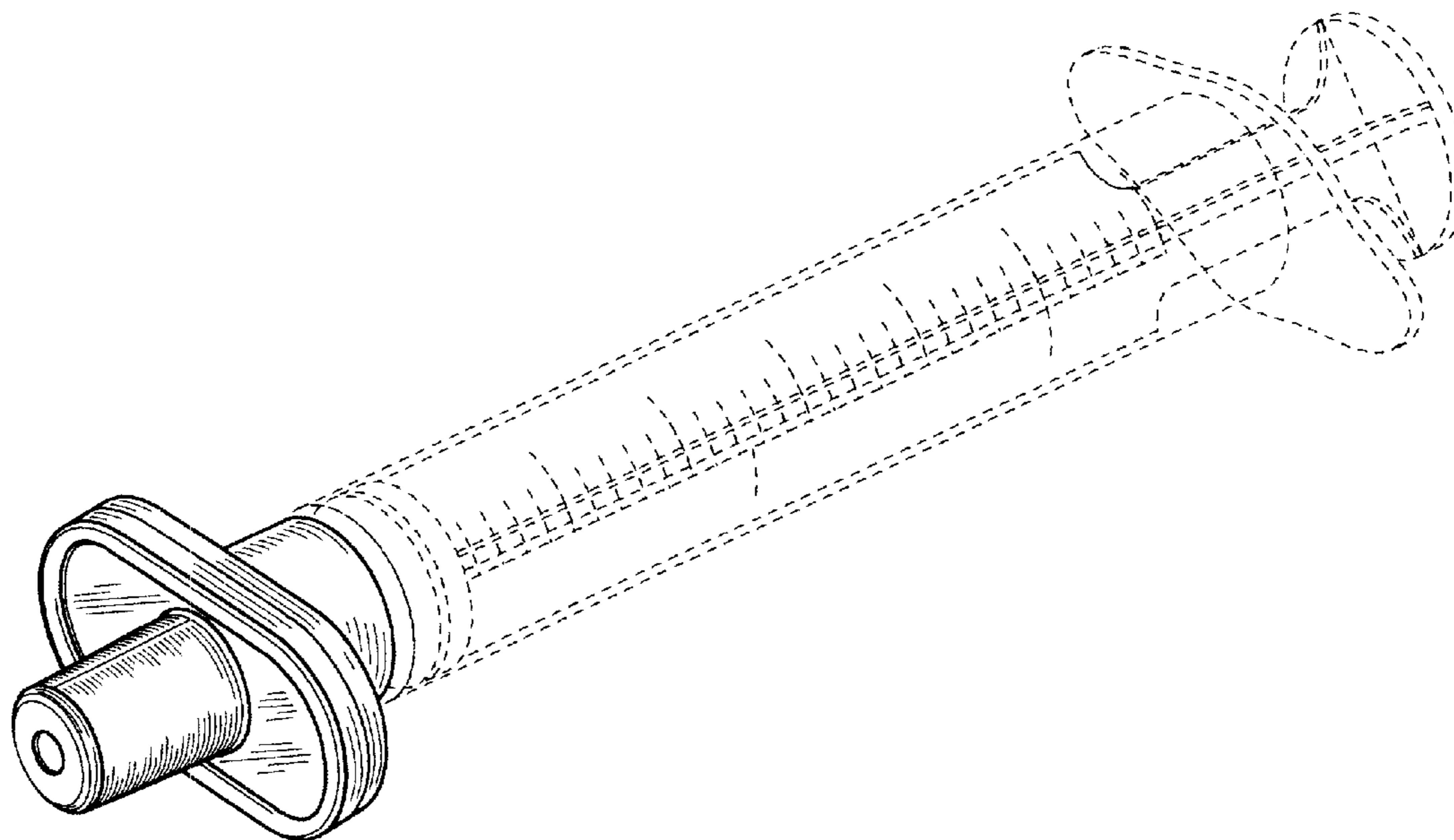
FIG. 5 is a left side elevational view of an oral syringe adapter of FIG. 1.

FIG. 6 is a top plan view of an oral syringe adapter of FIG. 1; and,

FIG. 7 is a bottom plan view of an oral syringe adapter of FIG. 1.

The broken line showing is for illustrative purposes only and forms no part of the claimed design.

1 Claim, 3 Drawing Sheets



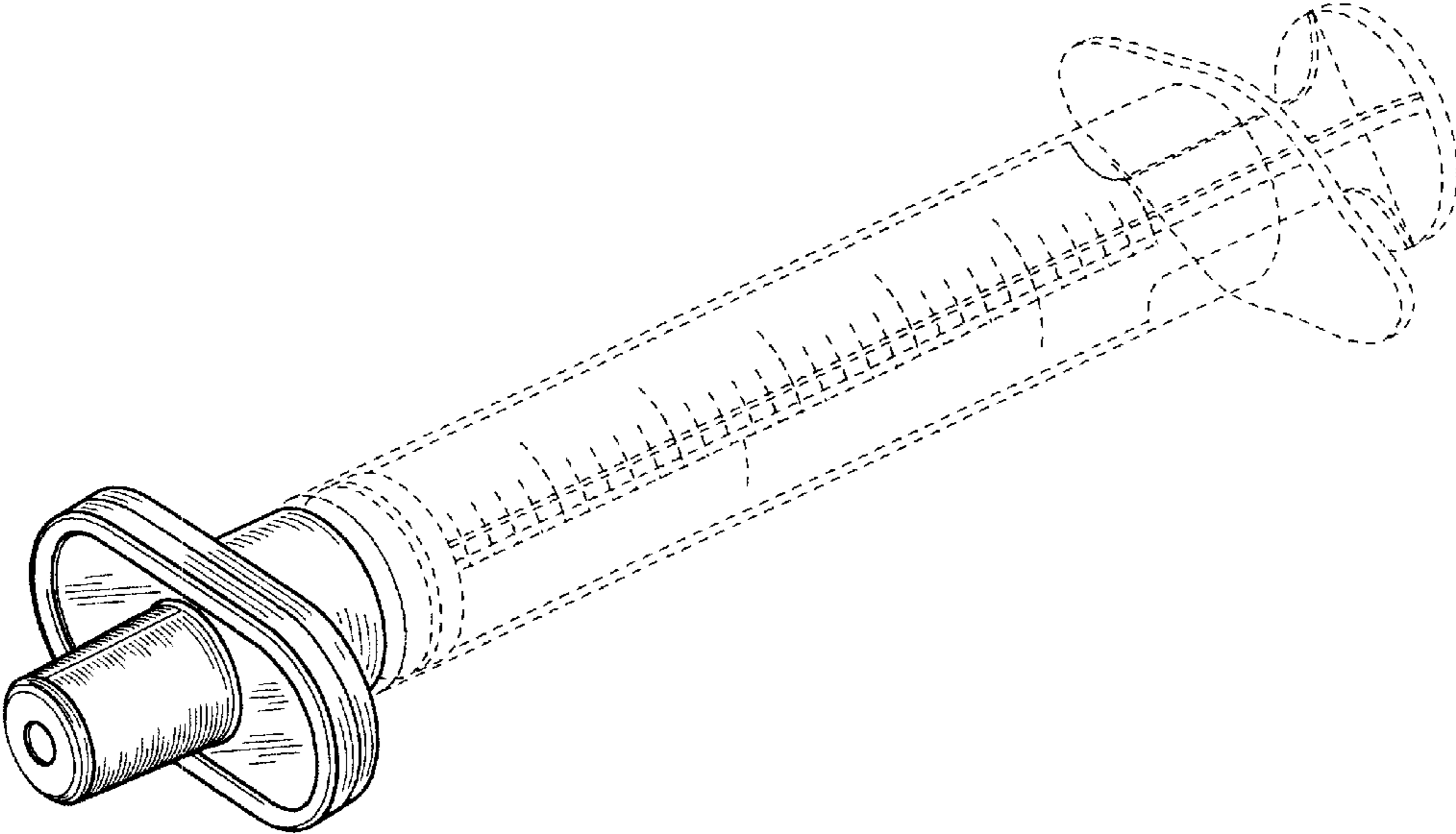


FIG. 1

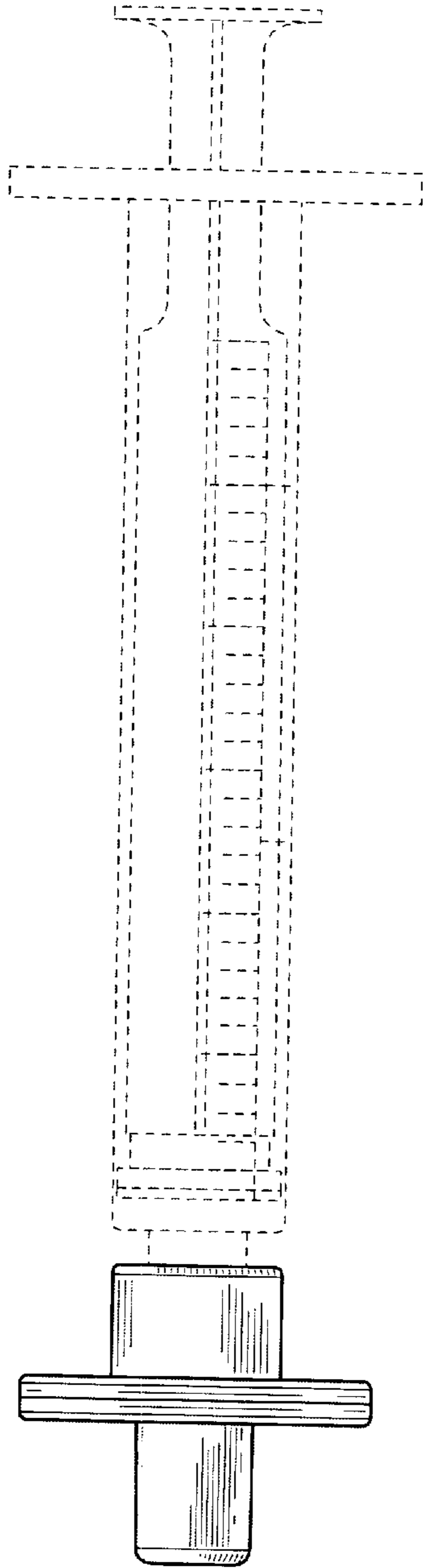


FIG. 2

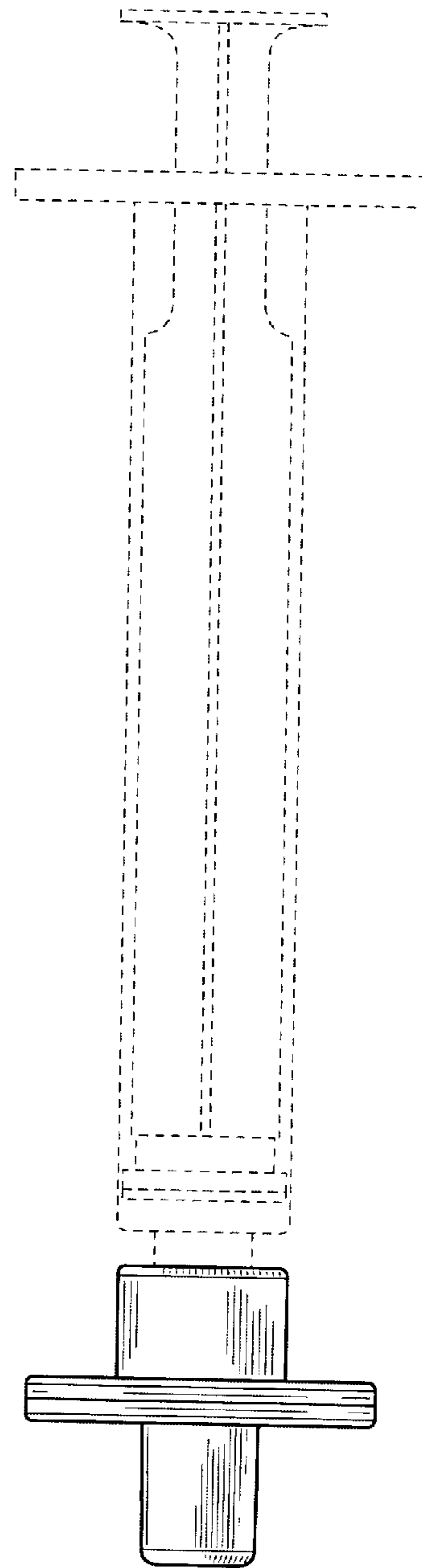


FIG. 3

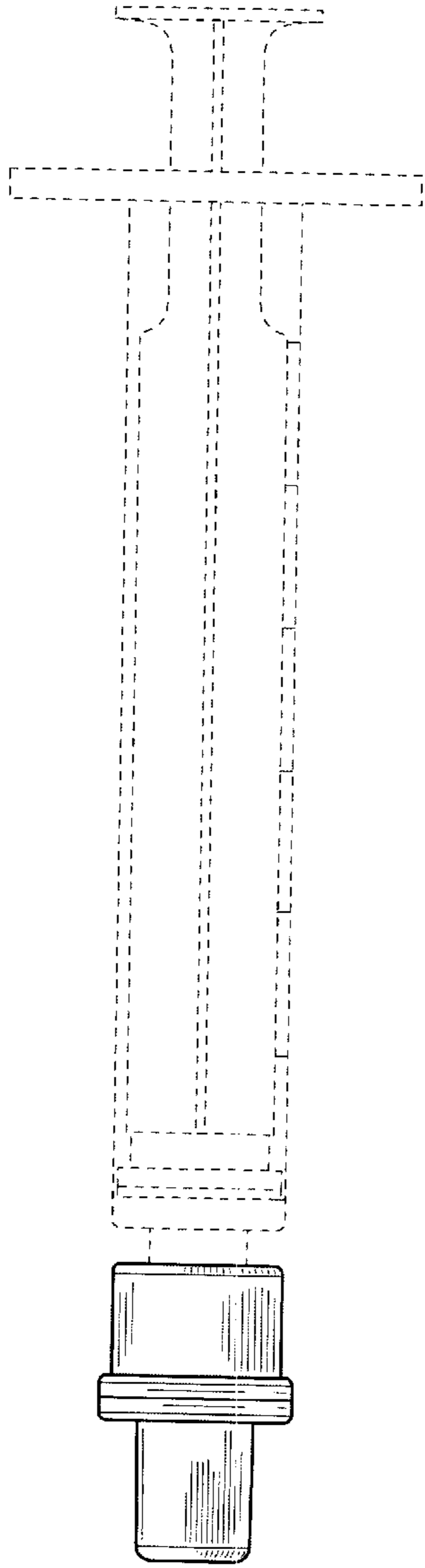


FIG. 4

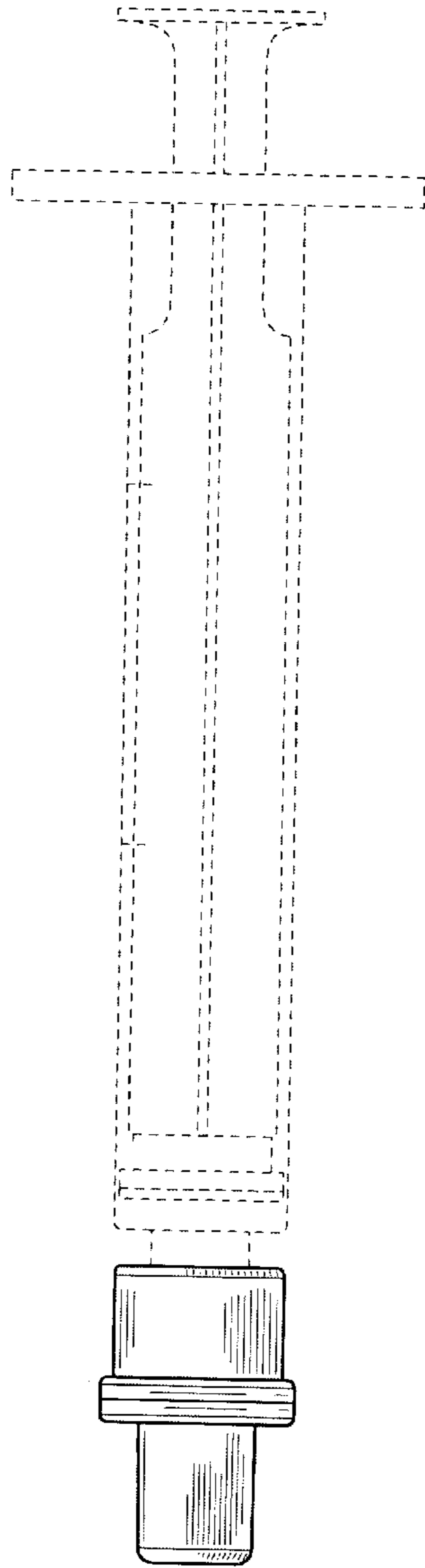


FIG. 5

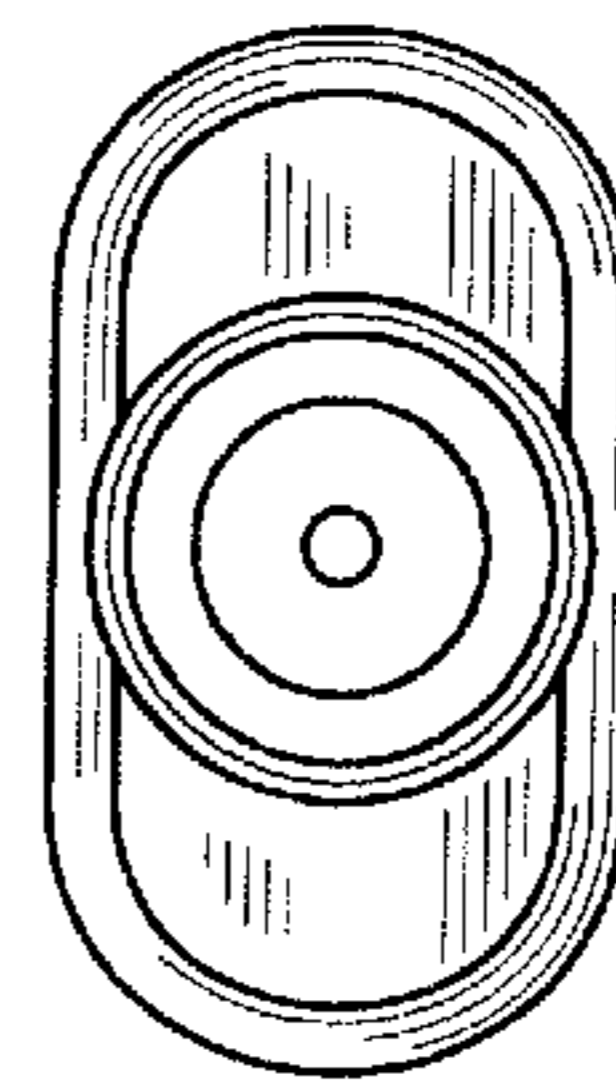


FIG. 6

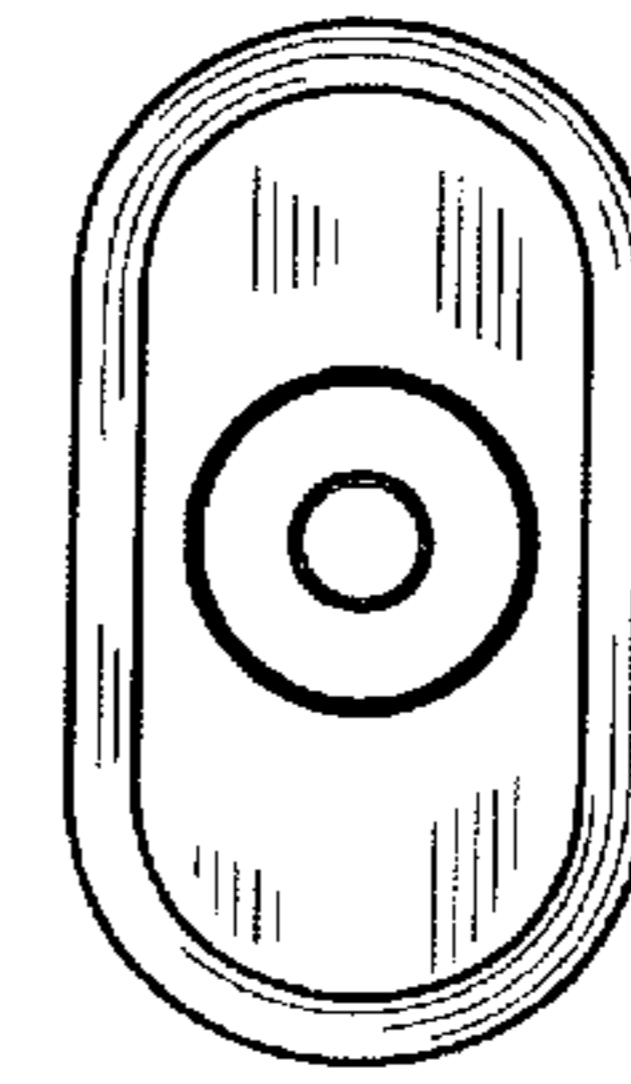


FIG. 7