

US00D542405S

(12) **United States Design Patent**  
**Esjunin**

(10) **Patent No.:** **US D542,405 S**

(45) **Date of Patent:** **\*\* May 8, 2007**

(54) **H-SUPPORT BLOCK**

(75) **Inventor:** **Eugene E. Esjunin**, Lowell, MA (US)

(73) **Assignee:** **Saint-Gobain Ceramics and Plastics, Inc.**, Worcester, MA (US)

(\*\*) **Term:** **14 Years**

4,430,058 A	*	2/1984	Ryan et al.	432/259
D281,627 S	*	12/1985	dos Santos	D25/118
RE32,096 E	*	3/1986	Jeffries, Jr.	52/396.08
D285,100 S	*	8/1986	Volpe	D21/505
4,633,639 A	*	1/1987	Deimen	52/591.2
5,174,752 A	*	12/1992	Chadwick	432/258
5,836,760 A	*	11/1998	Turner et al.	432/253
D475,143 S	*	5/2003	Hammer	D25/118

(21) **Appl. No.:** **29/265,888**

(22) **Filed:** **Sep. 11, 2006**

(51) **LOC (8) Cl.** ..... **23-03**

(52) **U.S. Cl.** ..... **D23/422**

(58) **Field of Classification Search** ..... D8/382,  
D8/396; D15/144; D21/500; D23/422; D25/113,  
D25/116, 118, 119; D30/120; 52/392; 211/41.18,  
211/49.1; 432/114, 230, 249, 258, 259  
See application file for complete search history.

**FOREIGN PATENT DOCUMENTS**

EP	1380803 A1	*	1/2004
FR	2567160 A	*	1/1986
GB	2183805 A	*	6/1987
JP	06265278 A	*	9/1994

\* cited by examiner

*Primary Examiner*—Sandra Snapp

*Assistant Examiner*—Karen Acker

(74) *Attorney, Agent, or Firm*—Robert T. Conway

(56) **References Cited**

**U.S. PATENT DOCUMENTS**

1,313,018 A	*	8/1919	Rushton	432/259
1,879,808 A	*	9/1932	Ladd	432/259
2,871,543 A	*	2/1959	Easter	432/258
3,099,063 A	*	7/1963	Santhany	432/258
3,553,799 A	*	1/1971	Swank	432/249
3,764,261 A	*	10/1973	Christman	432/258
D245,340 S	*	8/1977	Johnson	D25/118
D245,999 S	*	10/1977	Strigle et al.	D25/116
4,184,841 A	*	1/1980	Robinson et al.	432/258
D255,039 S	*	5/1980	Gale	D21/500
D256,166 S	*	7/1980	Iannarelli	D25/116
D272,256 S	*	1/1984	Chatani et al.	D21/499

(57) **CLAIM**

I claim the ornamental design for a H-support block, as shown and described.

**DESCRIPTION**

FIG. 1 is a front view of the H-support block embodying my design, the opposite side being the same image.

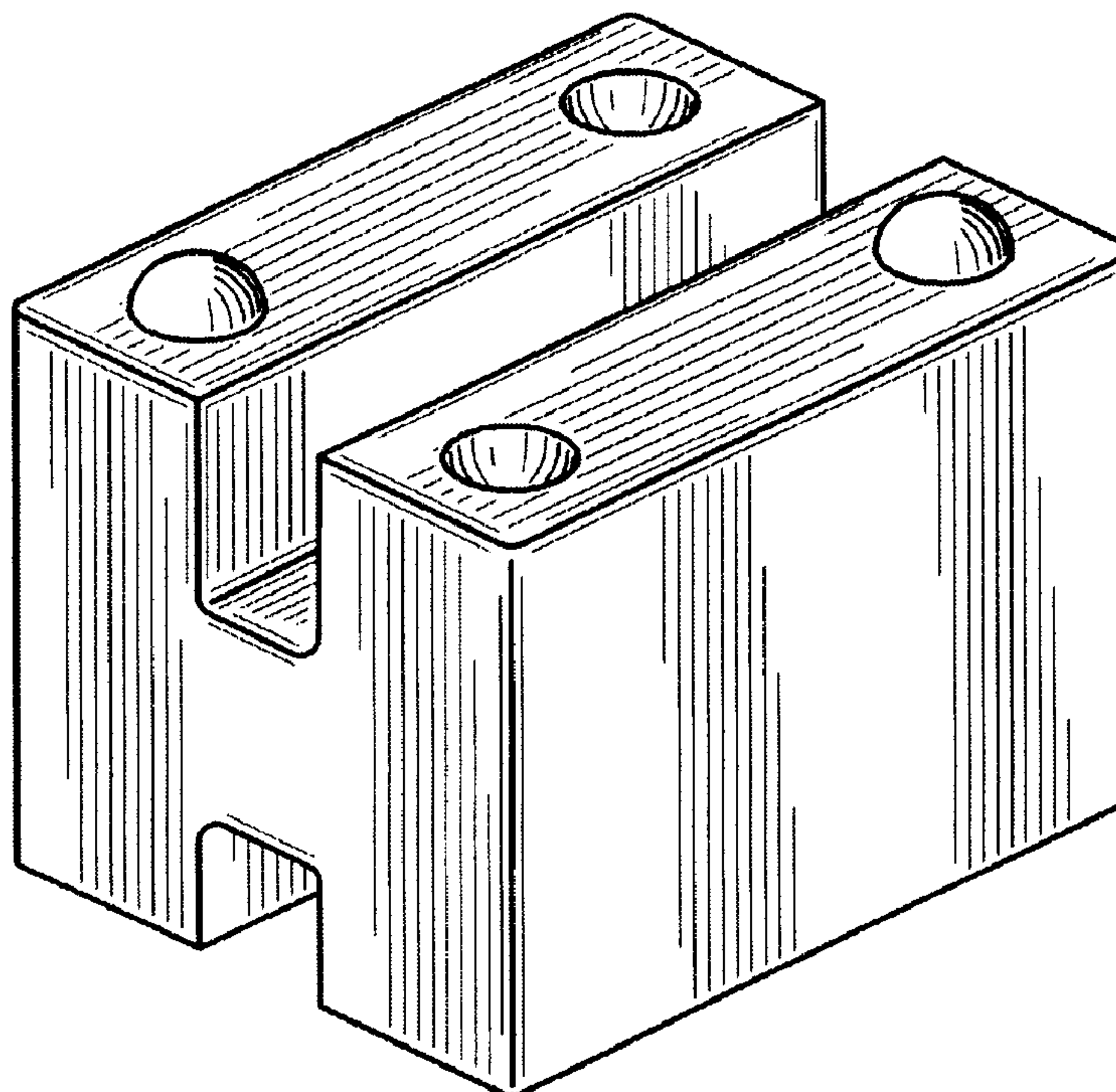
FIG. 2 is a side view of the H-support block, the opposite side being the same image.

FIG. 3 is a top view of the H-support block.

FIG. 4 is a bottom view of the H-support block; and,

FIG. 5 is a perspective view of the H-support block.

**1 Claim, 1 Drawing Sheet**



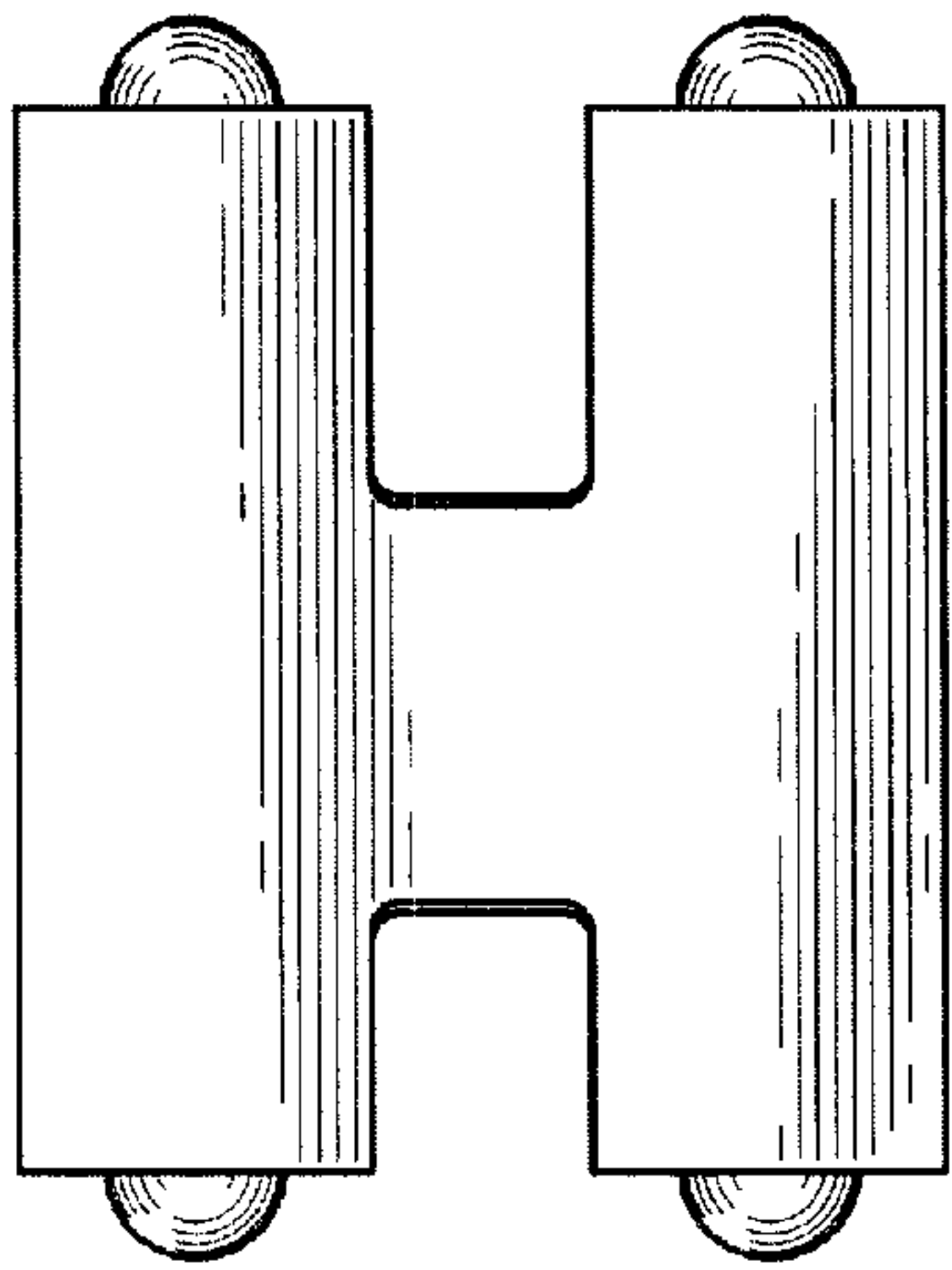


FIG. 1

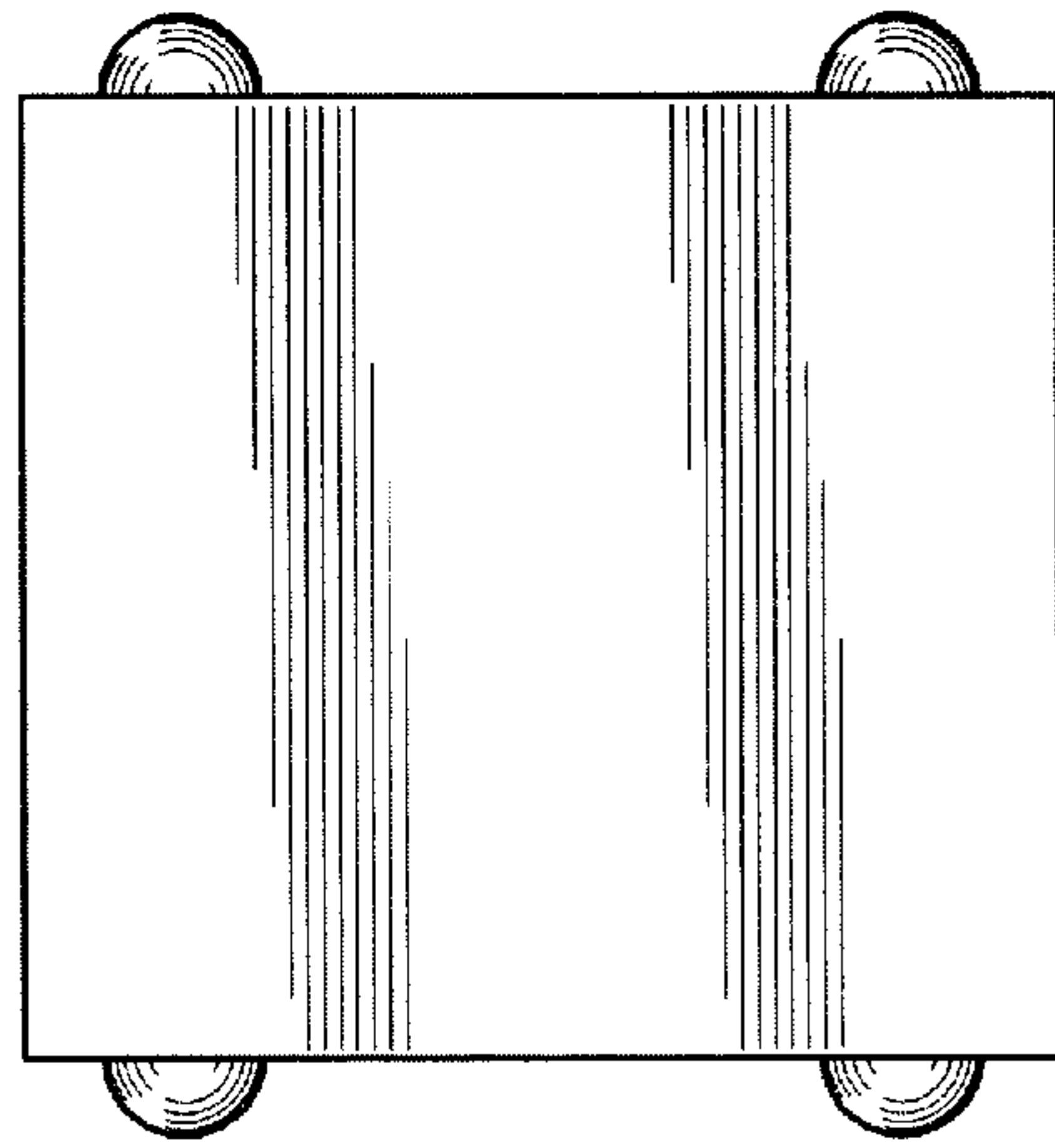


FIG. 2

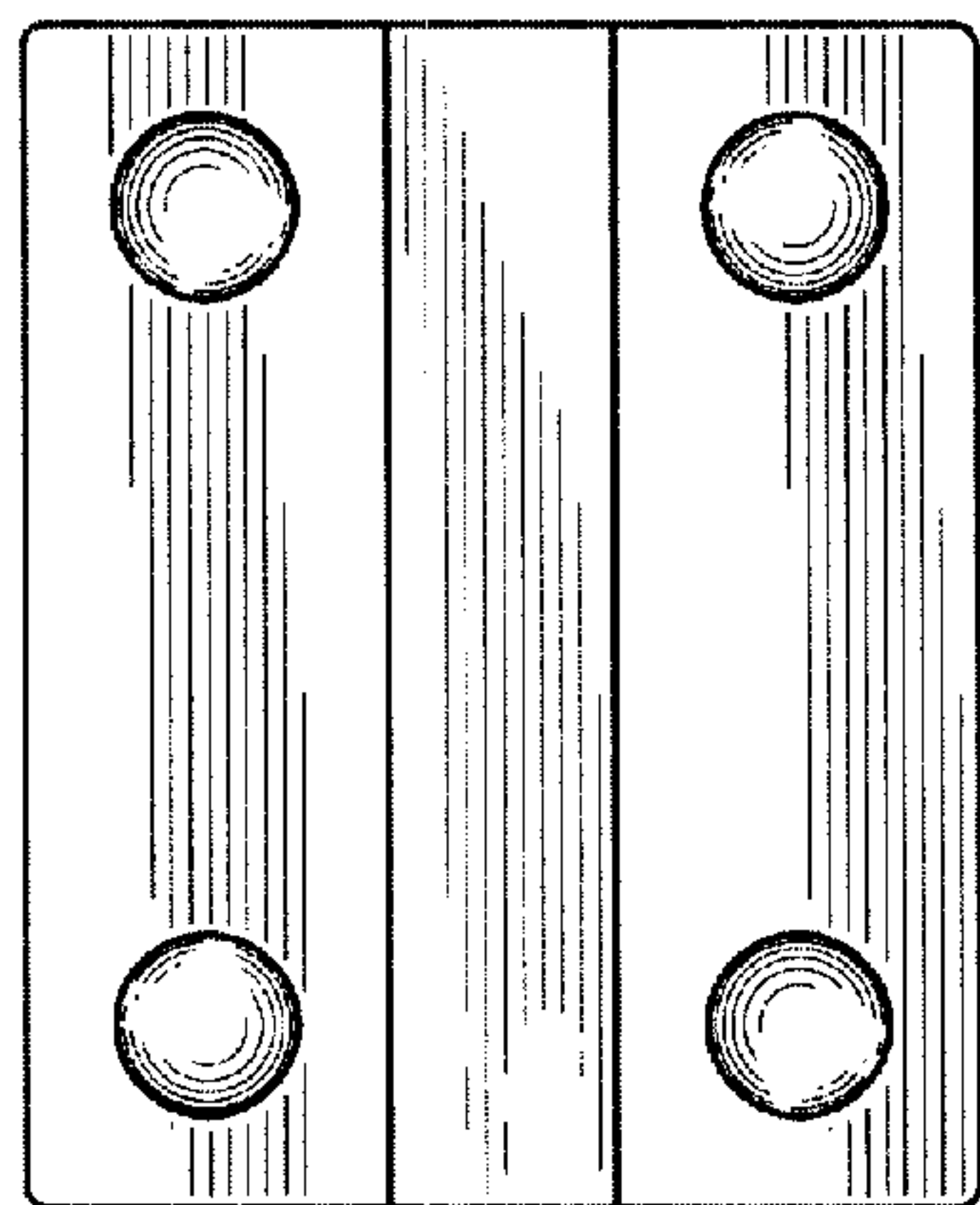


FIG. 3

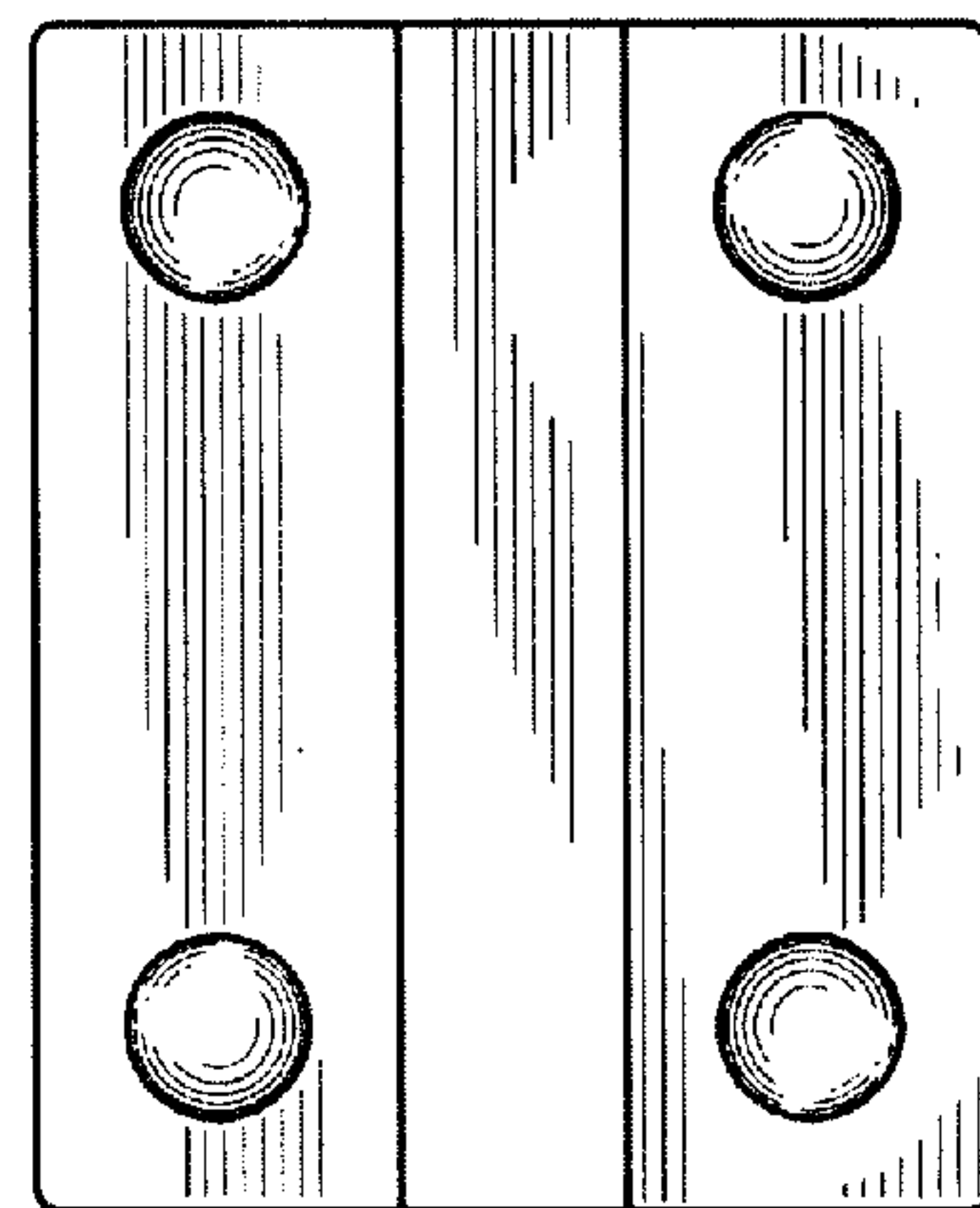


FIG. 4

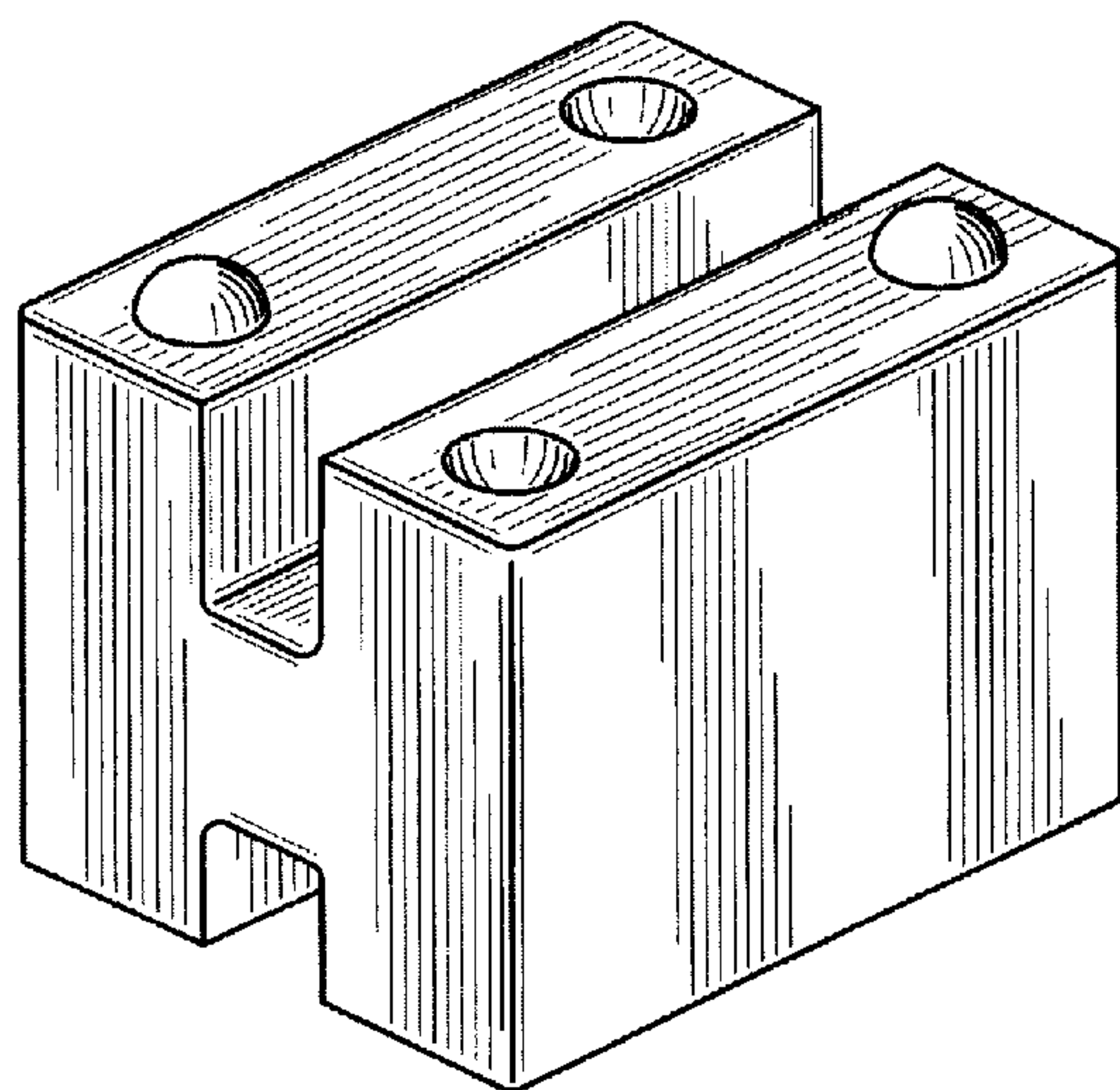


FIG. 5