



US00D542404S

(12) **United States Design Patent**  
**Boyette**

(10) **Patent No.:** **US D542,404 S**

(45) **Date of Patent:** **\*\* May 8, 2007**

(54) **FIREPLACE HEARTH PAD**

(76) Inventor: **Mary Beth Boyette**, 174 E. Deer Track Dr., Wetumpka, AL (US) 36093

(\*\*) Term: **14 Years**

(21) Appl. No.: **29/257,346**

(22) Filed: **Apr. 3, 2006**

(51) **LOC (8) Cl.** ..... **23-03**

(52) **U.S. Cl.** ..... **D23/405**

(58) **Field of Classification Search** ..... D6/601, D6/606, 610; D23/403; 5/493, 512; 52/515, 52/DIG. 13; 126/500, 544, 546; 248/345  
See application file for complete search history.

(56) **References Cited**

U.S. PATENT DOCUMENTS

2,867,015	A	*	1/1959	Meissner	.....	52/179
3,602,548	A	*	8/1971	Grams	.....	297/452.16
4,275,473	A	*	6/1981	Poirier	.....	441/128
4,482,054	A	*	11/1984	Gardner	.....	206/594
4,787,366	A	*	11/1988	Bell	.....	126/500
4,865,015	A	*	9/1989	Hasty et al.	.....	126/500
4,867,135	A	*	9/1989	Stecker	.....	126/500
4,903,686	A	*	2/1990	Jennings	.....	126/500
4,922,891	A	*	5/1990	King	.....	126/544
D309,777	S	*	8/1990	Woods	.....	D23/403
D309,945	S	*	8/1990	Hicks	.....	D23/403
D316,751	S	*	5/1991	France et al.	.....	D23/403
5,050,583	A	*	9/1991	Chapek et al.	.....	126/500
5,058,566	A	*	10/1991	Dabbs et al.	.....	126/500

D322,476	S	*	12/1991	Lytle	.....	D23/403
5,183,030	A	*	2/1993	Woodward	.....	126/500
5,199,415	A	*	4/1993	Johnson, Jr.	.....	126/500
5,208,084	A	*	5/1993	Rutz	.....	428/40.1
D347,888	S	*	6/1994	Jackson	.....	D23/403
D354,805	S	*	1/1995	Bowen et al.	.....	D23/403
D362,060	S	*	9/1995	Jacobs	.....	D23/403
5,508,078	A	*	4/1996	Stalnaker	.....	428/71
5,779,318	A	*	7/1998	O'Reilly	.....	297/452.55
D418,593	S	*	1/2000	Mattarelli	.....	D23/403
D437,045	S	*	1/2001	Luster	.....	D23/403
6,513,662	B1	*	2/2003	Stebelton	.....	206/586

\* cited by examiner

*Primary Examiner*—Sandra Snapp  
*Assistant Examiner*—Karen Acker

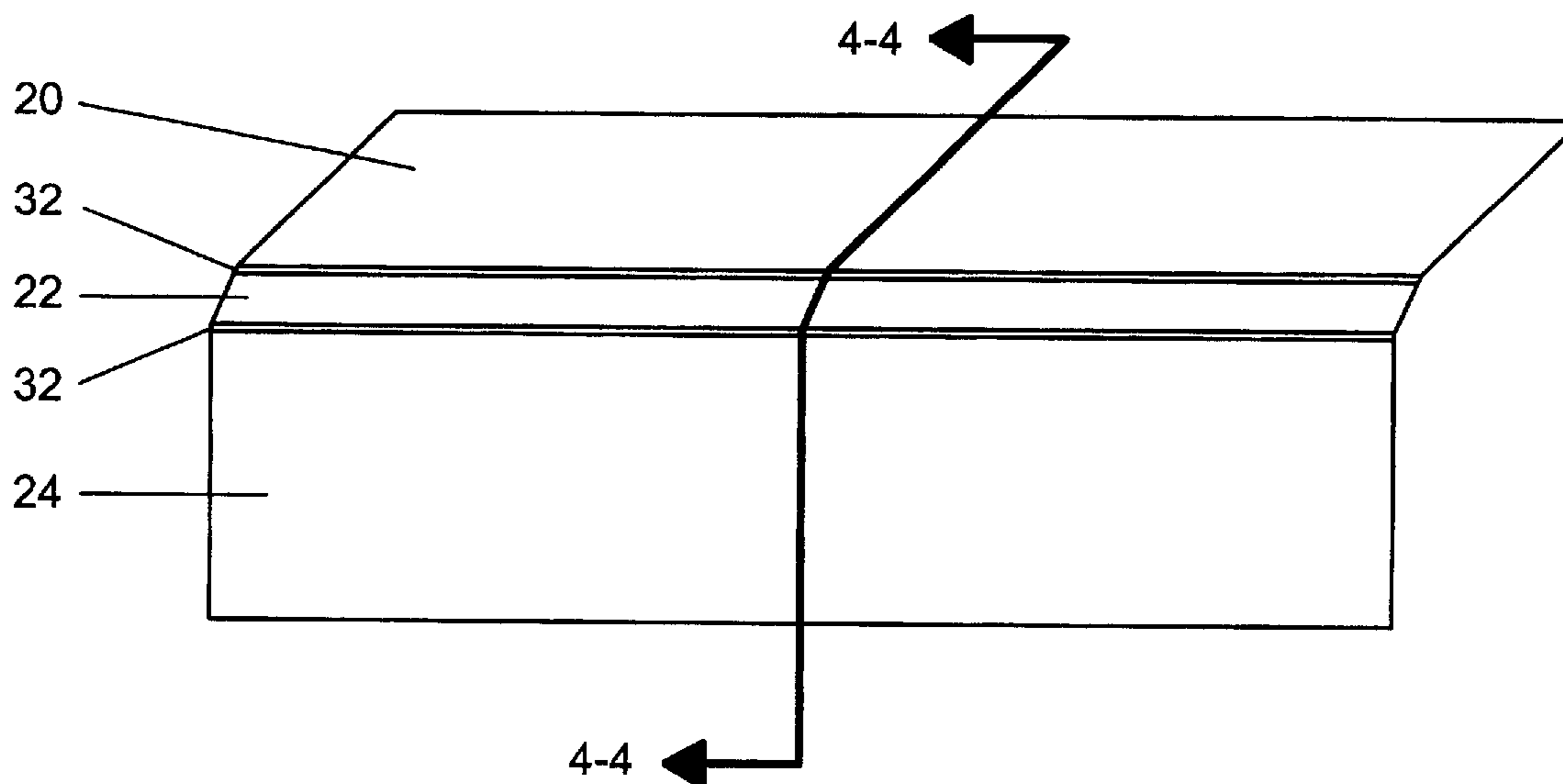
(57) **CLAIM**

I claim the ornamental design for a fireplace hearth pad, as shown and described.

**DESCRIPTION**

FIG. 1 is a front elevation view of a fireplace hearth pad showing the pad in a flat position; FIG. 2 is a front perspective view thereof, the back perspective view being an identical thereto; FIG. 3 is a side elevation view thereof, the opposite side view being identical thereto; and, FIG. 4 is a cross-section view taken along line 4—4 in FIG. 2.  
The back and opposite side of fireplace hearth pad are the same as the front and side views shown.

**1 Claim, 4 Drawing Sheets**



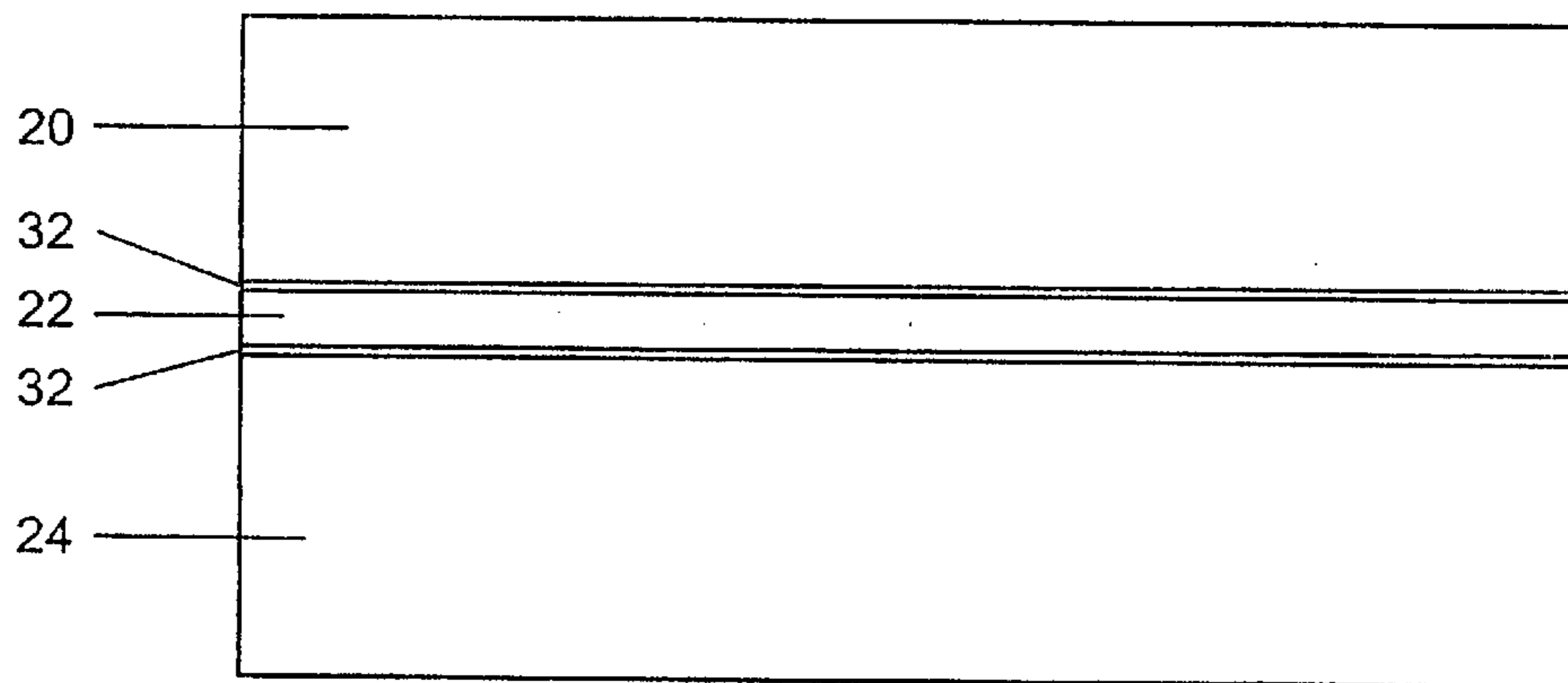


Figure 1

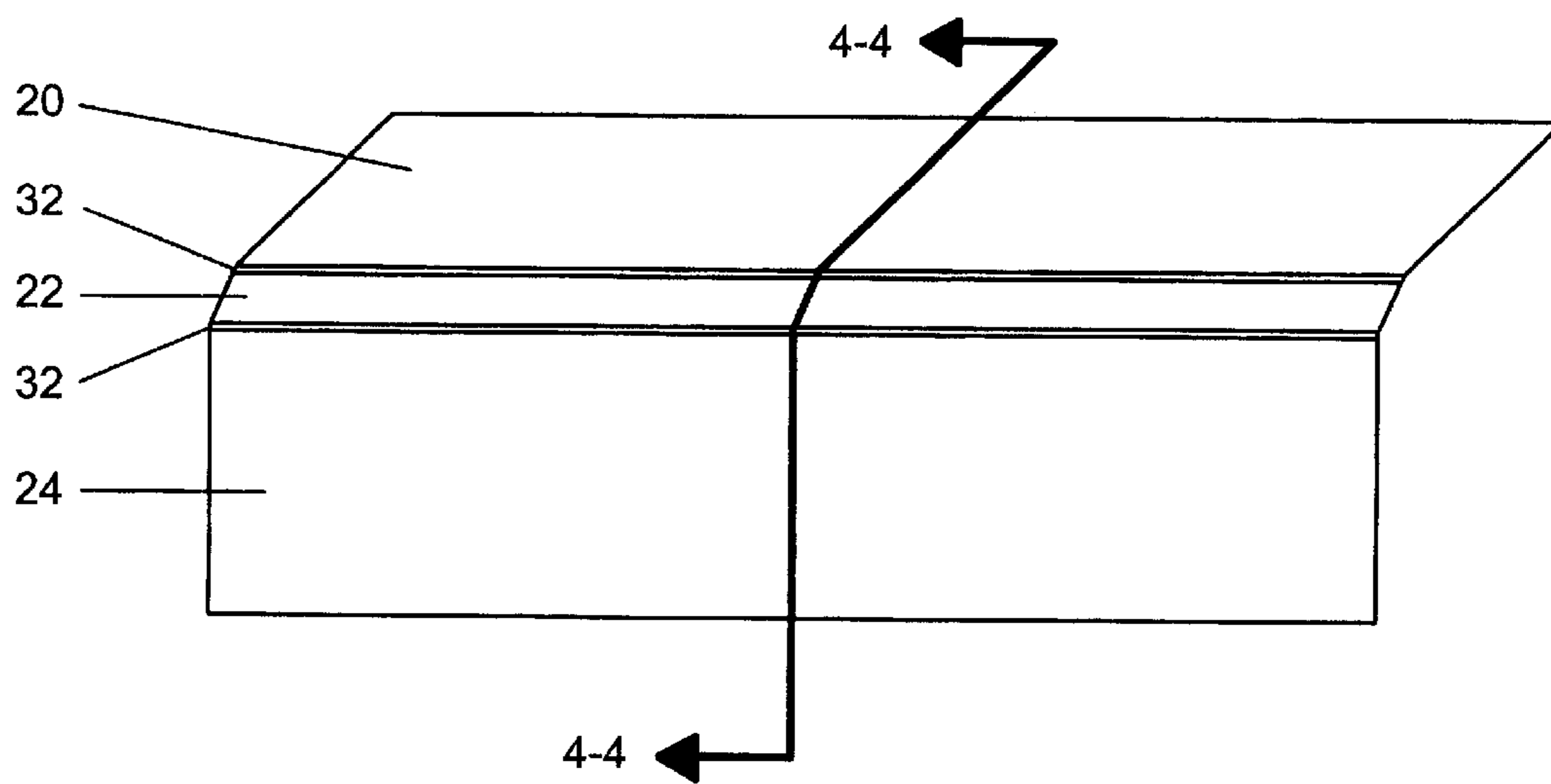


Figure 2

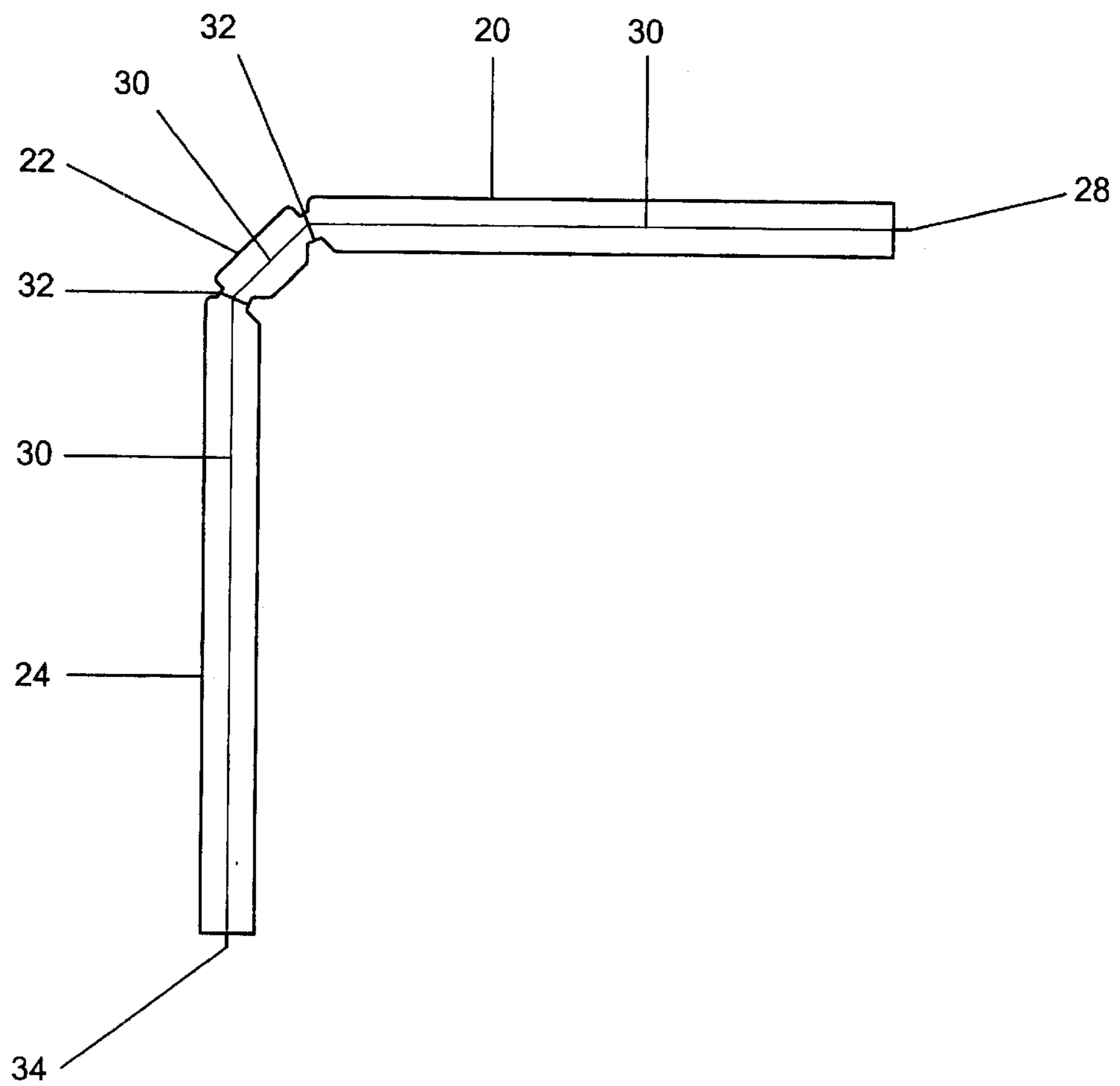


Figure 3

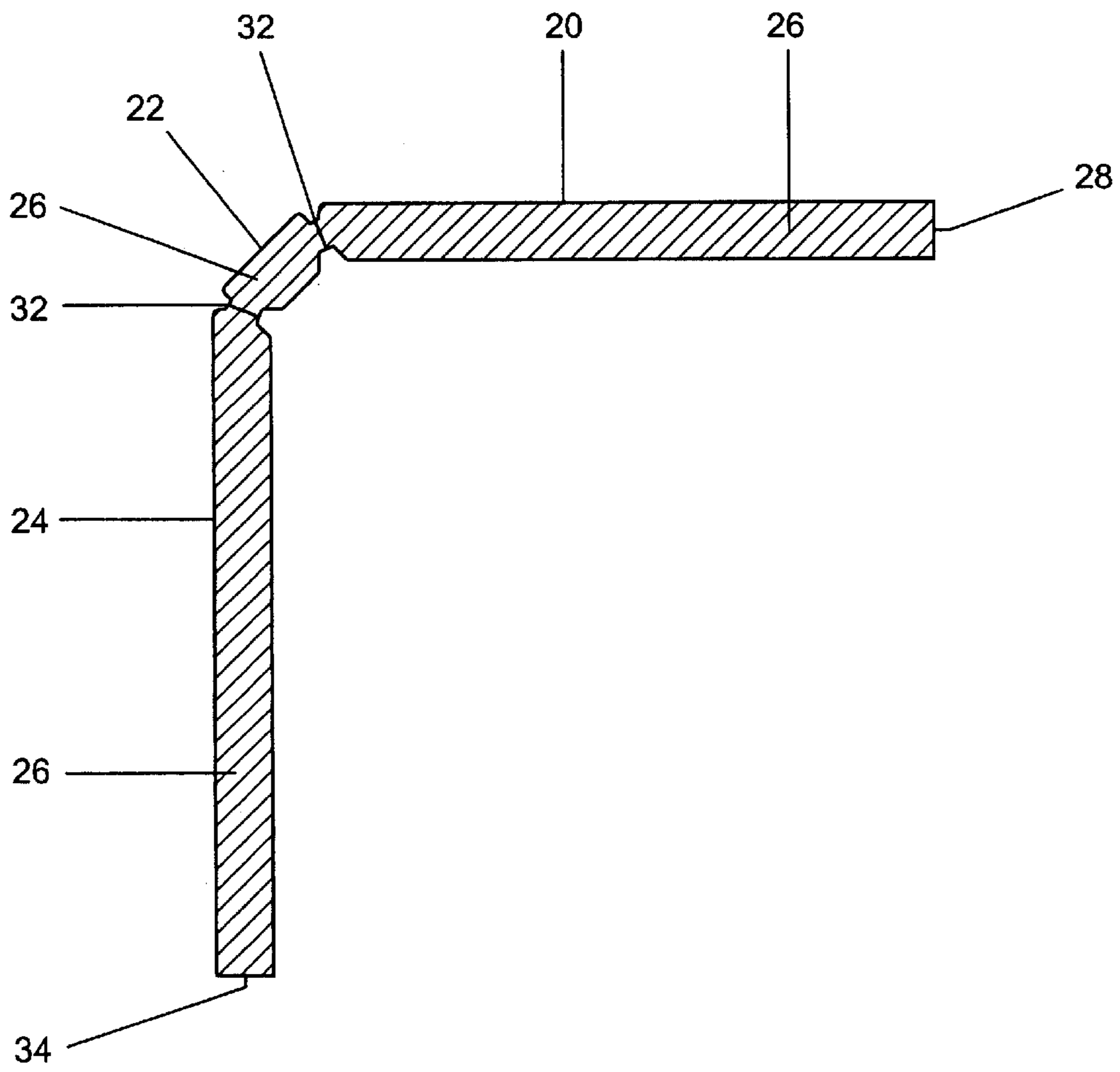


Figure 4