

US00D542402S

(12) **United States Design Patent**
Abell

(10) **Patent No.:** **US D542,402 S**

(45) **Date of Patent:** **** May 8, 2007**

(54) **CLAMP FOR A PORTABLE AIR BLOWER**

(76) Inventor: **James R. Abell**, 3416 S. 29th Cir., Fort Smith, AR (US) 72901

(**) Term: **14 Years**

(21) Appl. No.: **29/221,807**

(22) Filed: **Jan. 20, 2005**

Related U.S. Application Data

(63) Continuation-in-part of application No. 29/219,204, filed on Dec. 14, 2004.

(51) **LOC (8) Cl.** **23-04**

(52) **U.S. Cl.** **D23/382**

(58) **Field of Classification Search** D23/370,
D23/382, 381, 328; D8/395; 416/247, 246,
416/244; 417/423.15

See application file for complete search history.

(56) **References Cited**

U.S. PATENT DOCUMENTS

D295,070 S	4/1988	Shin-Chin	D23/382
4,799,858 A *	1/1989	Shin-Chin	416/110
4,850,804 A *	7/1989	Huang	416/246
D329,089 S *	9/1992	Coup et al.	D23/382
5,725,356 A	3/1998	Carter	416/240
D398,983 S *	9/1998	Keller et al.	D23/382
5,906,426 A	5/1999	Farrington et al.	362/198
D413,602 S	9/1999	Chen	D14/228
6,035,857 A	3/2000	Hartelius et al.	132/73
D435,899 S *	1/2001	Melwani	D23/382
D441,444 S	5/2001	Shapiro	D23/382
6,386,845 B1 *	5/2002	Bedard	417/423.15

* cited by examiner

Primary Examiner—Lisa Lichtenstein

(74) *Attorney, Agent, or Firm*—Keisling Pieper & Scott PLC; Treut C. Keisling; David B. Pieper

(57) **CLAIM**

The ornamental design for a clamp for a portable air blower.

DESCRIPTION

FIG. 1 is a front-left side isometric view of a clamp for a portable air blower showing my new design in use with the clamp connected to a flexible gooseneck and connected to a vertical pole;

FIG. 2 is a front-left side elevational view of a clamp for a portable air blower showing my new design in use with the clamp in an open position and the fan rotated;

FIG. 3 is an enlarged front-left view of the clamp thereof in a closed position;

FIG. 4 is an enlarged front-left view of the clamp thereof in an open position;

FIG. 5 is an enlarged exploded view of the clamp showing elements visible within the recesses of the clamp assembly;

FIG. 6 is an enlarged top view showing the clamp in an open position;

FIG. 7 is an enlarged top view showing the clamp in a closed position;

FIG. 8 is an enlarged left side view of the clamp;

FIG. 9 is an enlarged right side view of the clamp;

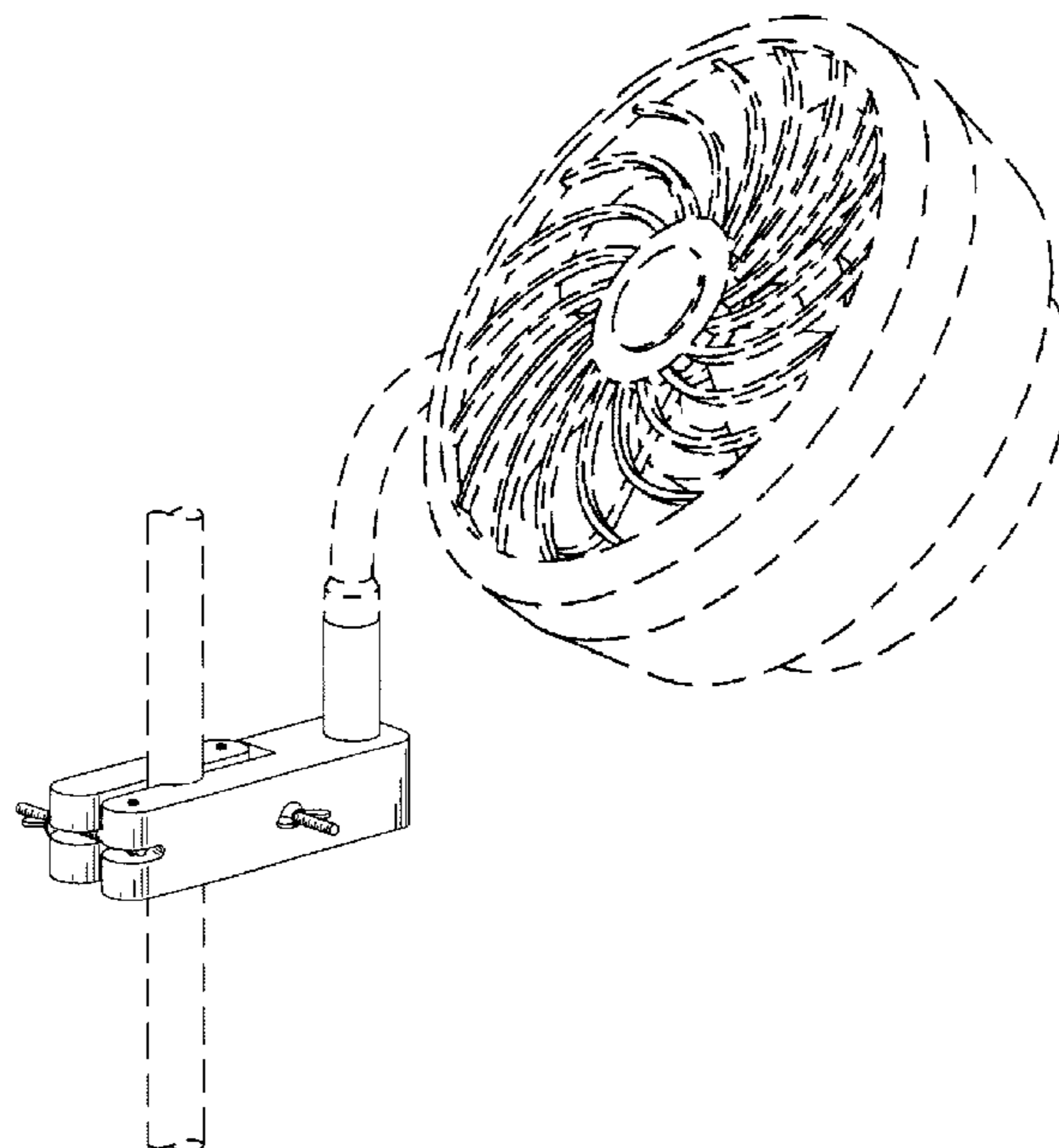
FIG. 10 is an enlarged back side view of the clamp

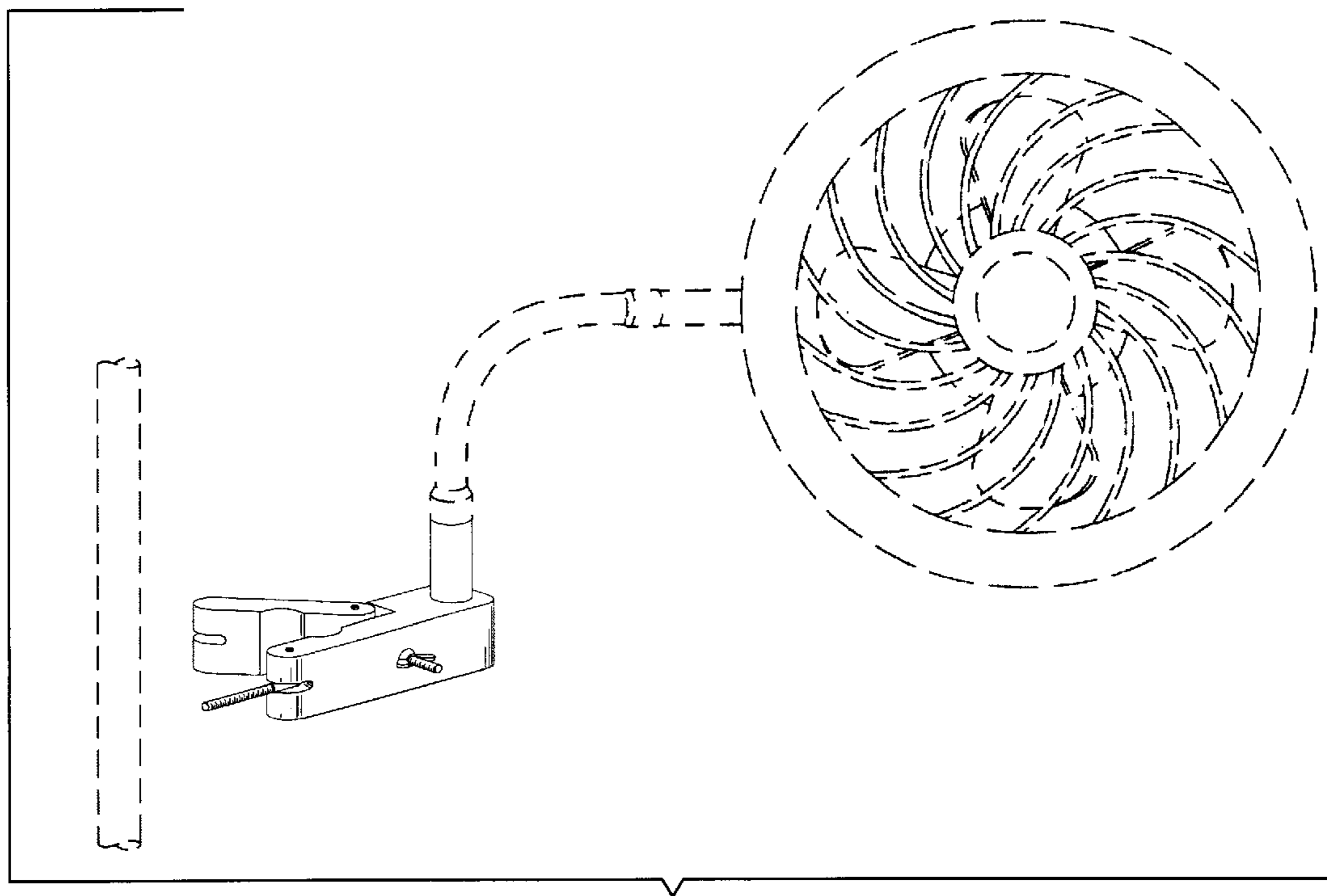
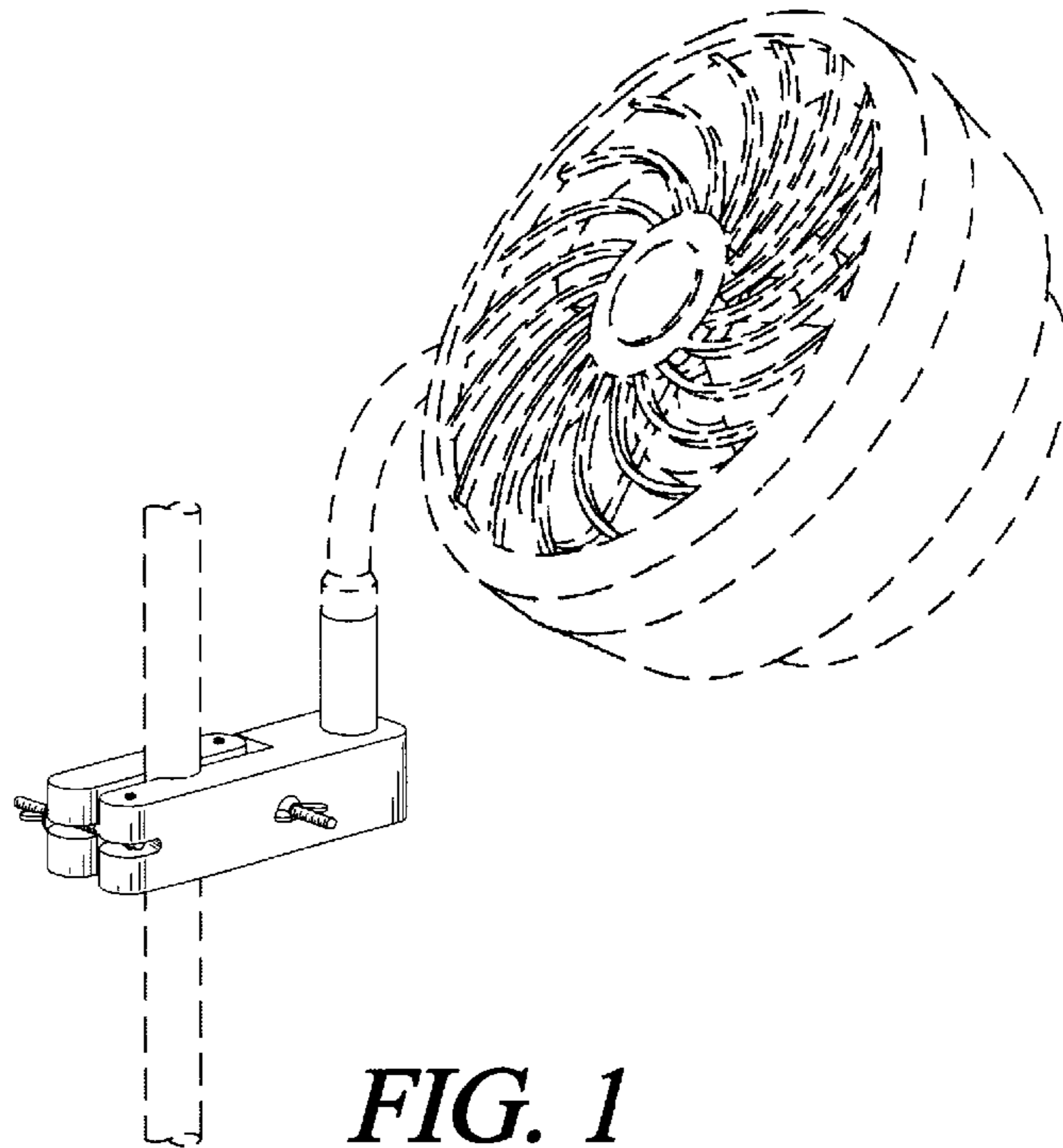
FIG. 11 is an enlarged front view of the clamp; and,

FIG. 12 is an enlarged bottom side view of the clamp.

The broken line showing of a portable air blower, with a flexible gooseneck and a vertical pole is included for the purpose of illustrating environmental structure and forms no part of the claimed design.

1 Claim, 5 Drawing Sheets





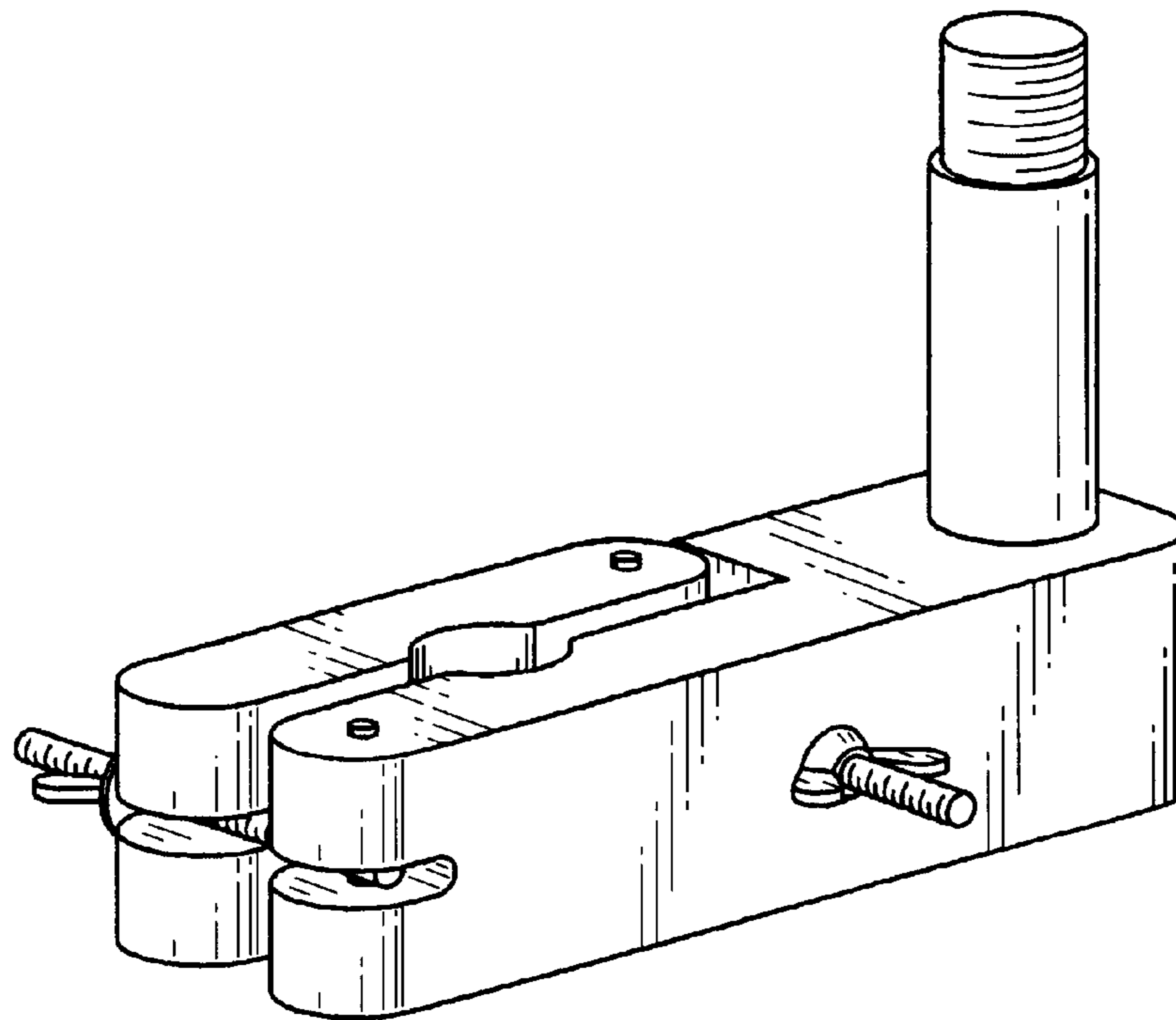


FIG. 3

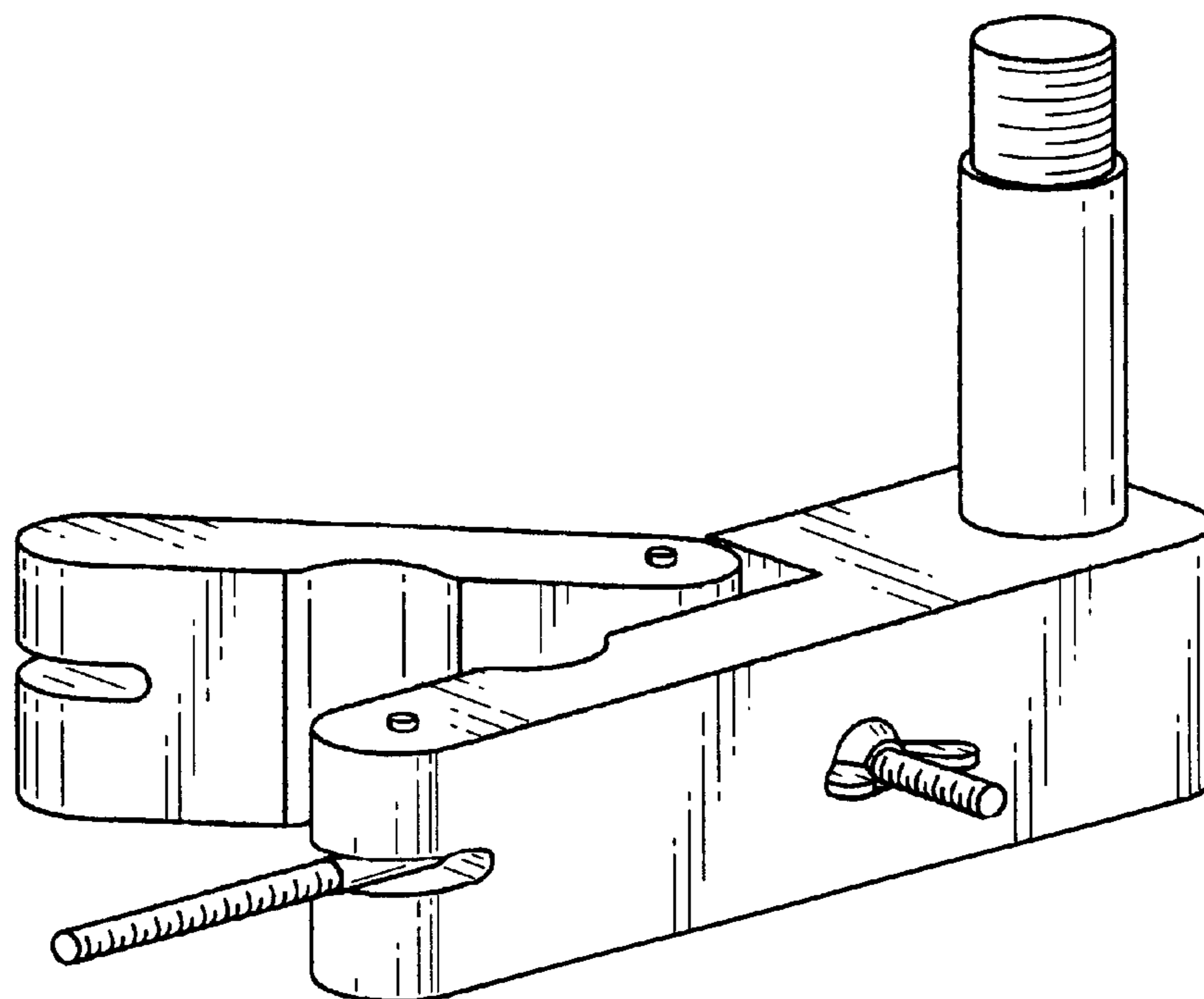
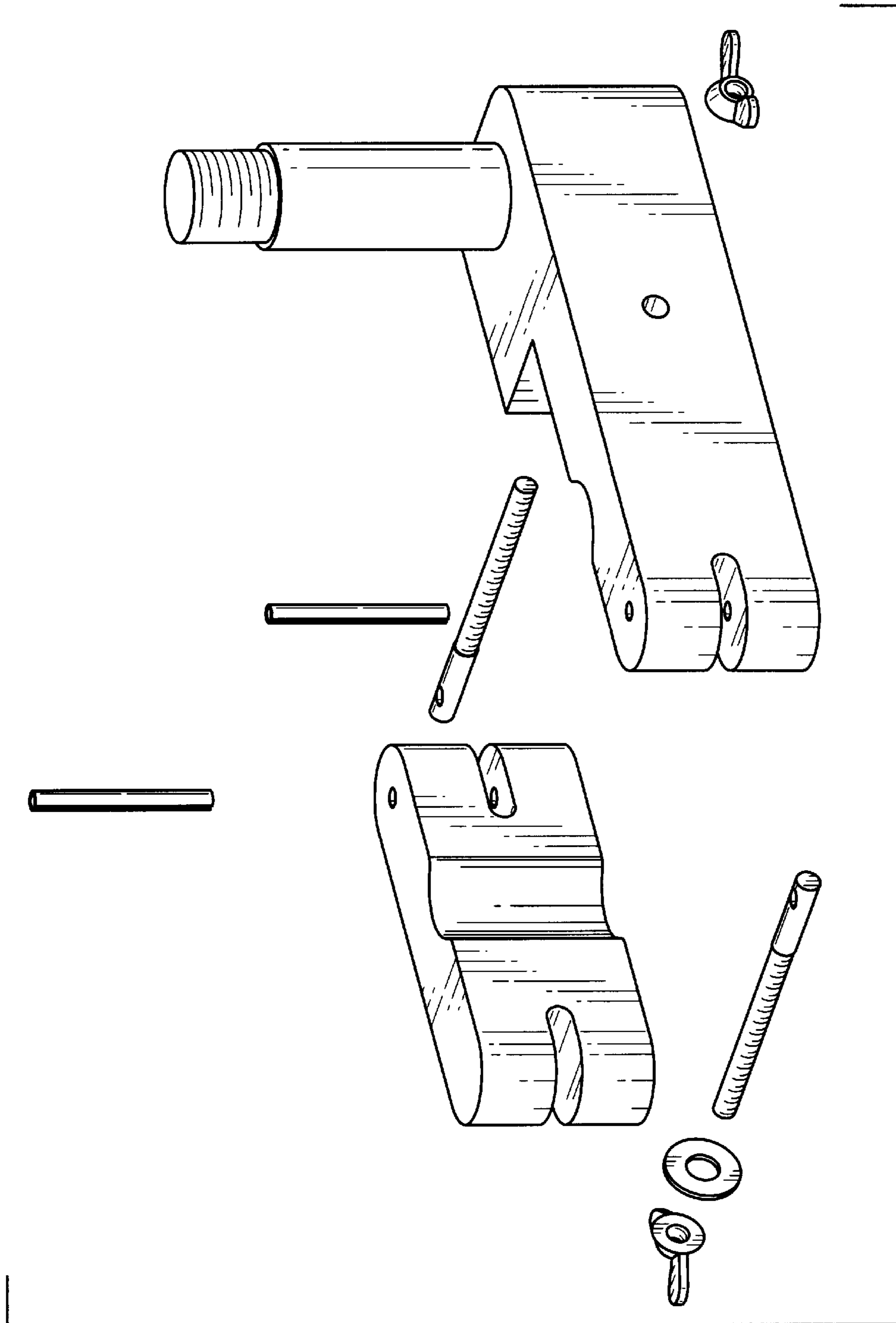


FIG. 4



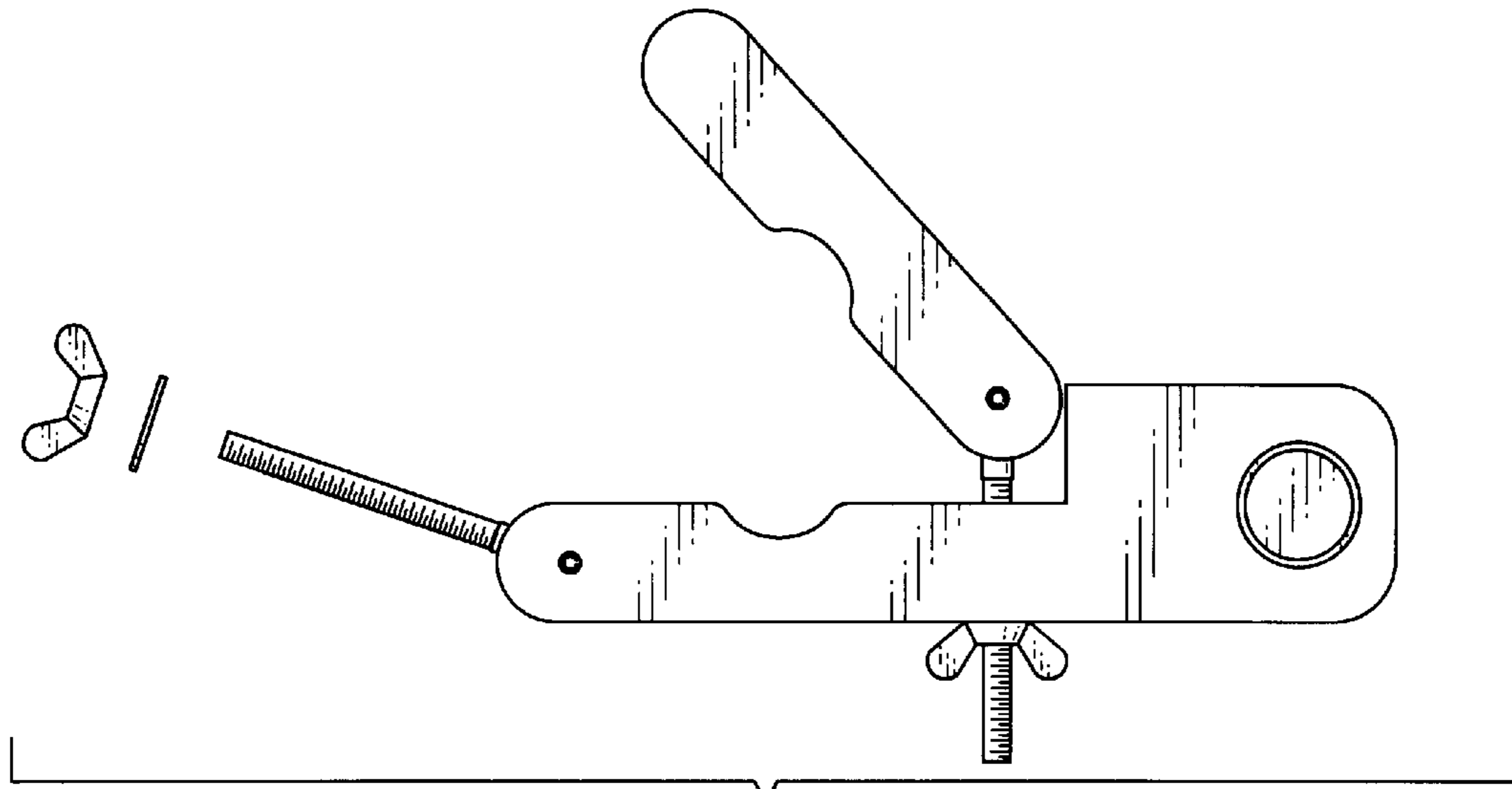


FIG. 6

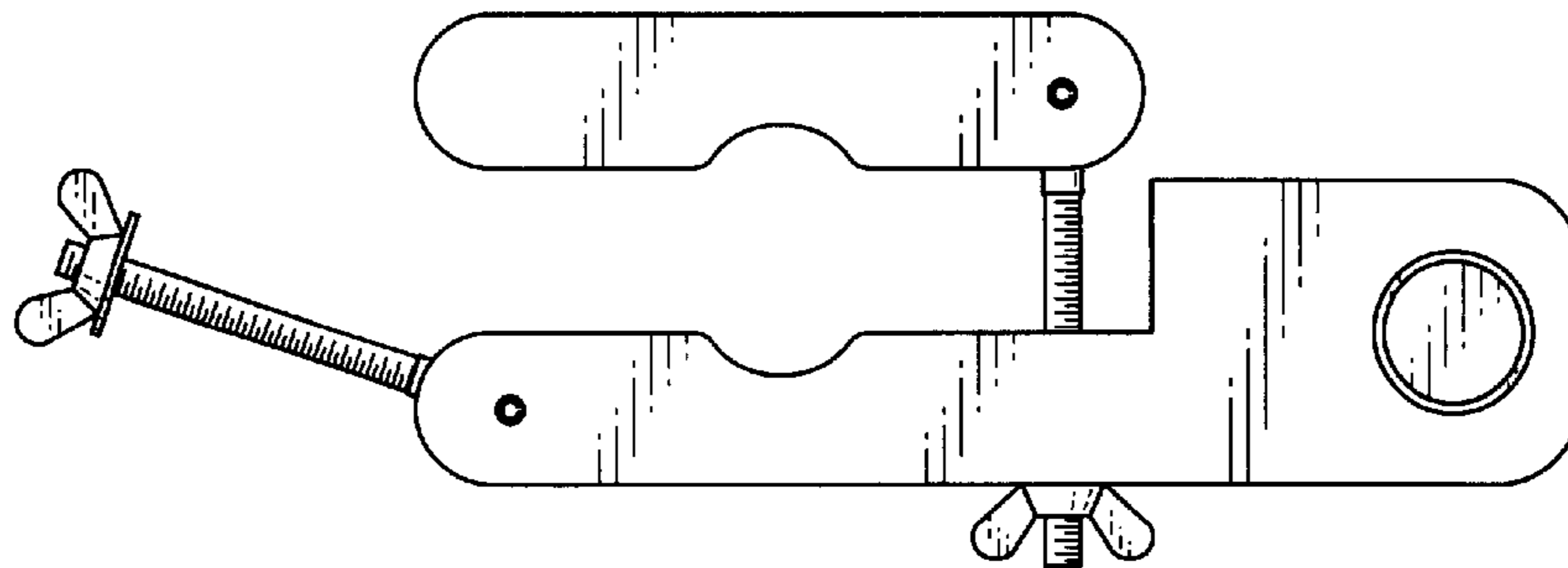


FIG. 7

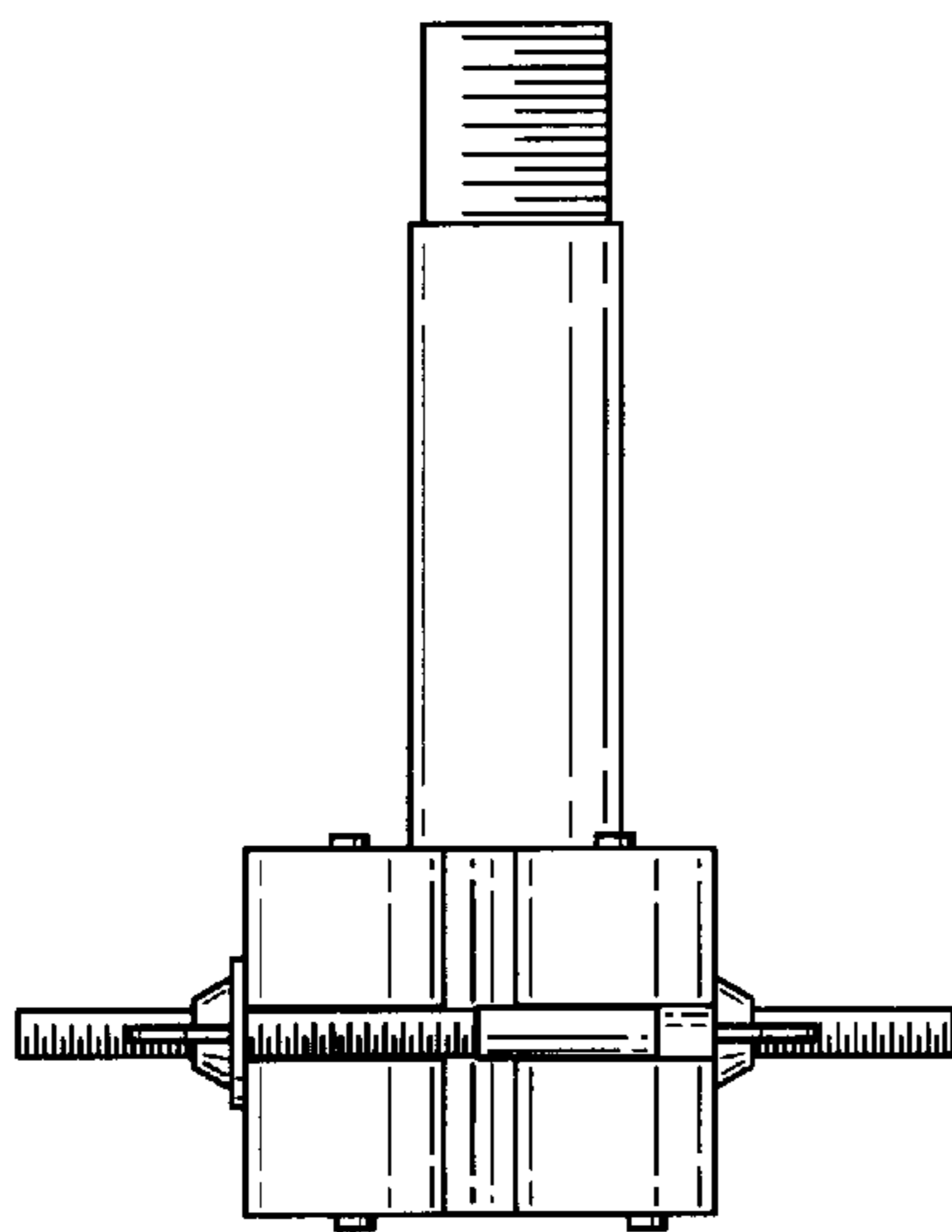


FIG. 8

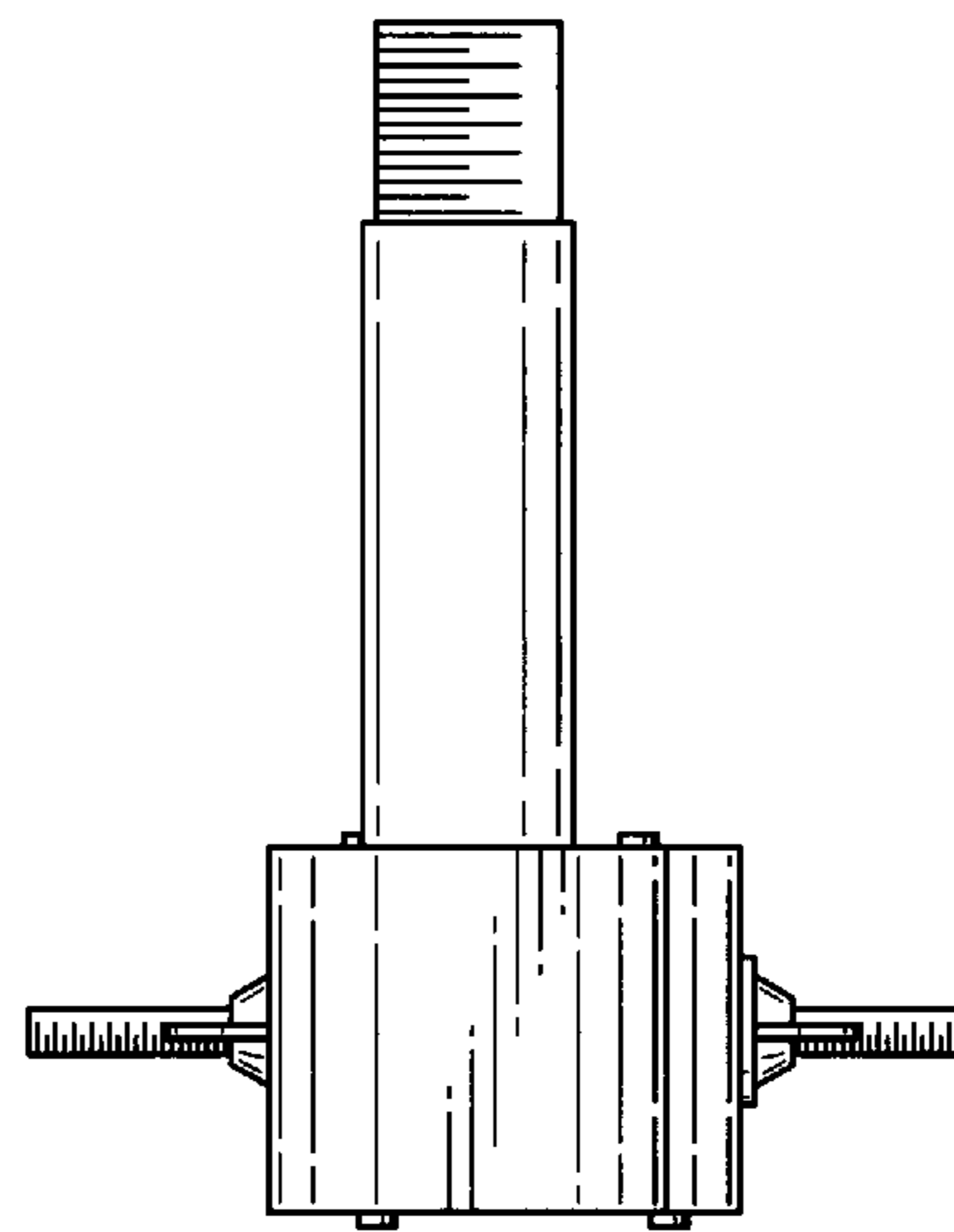


FIG. 9

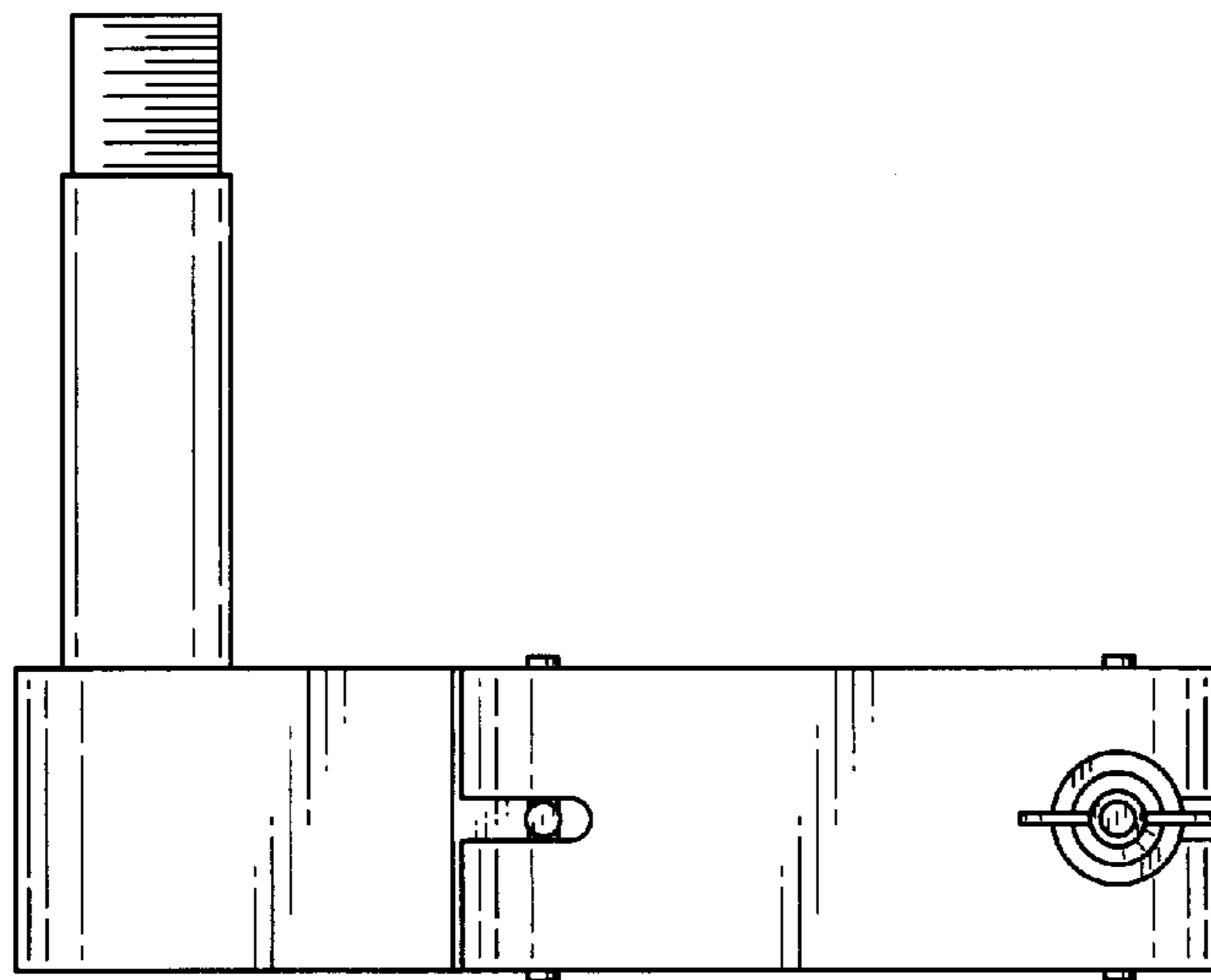


FIG. 10

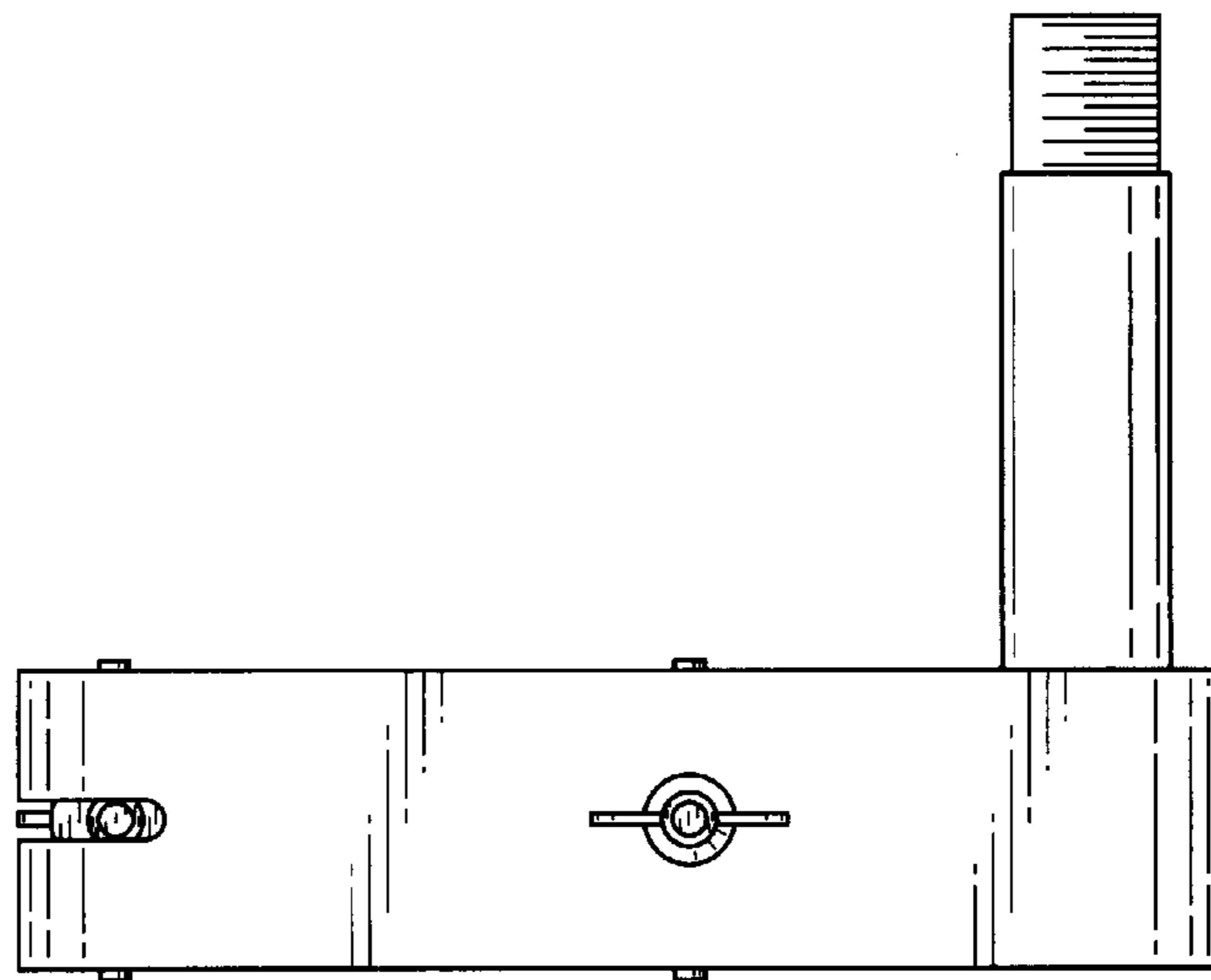


FIG. 11

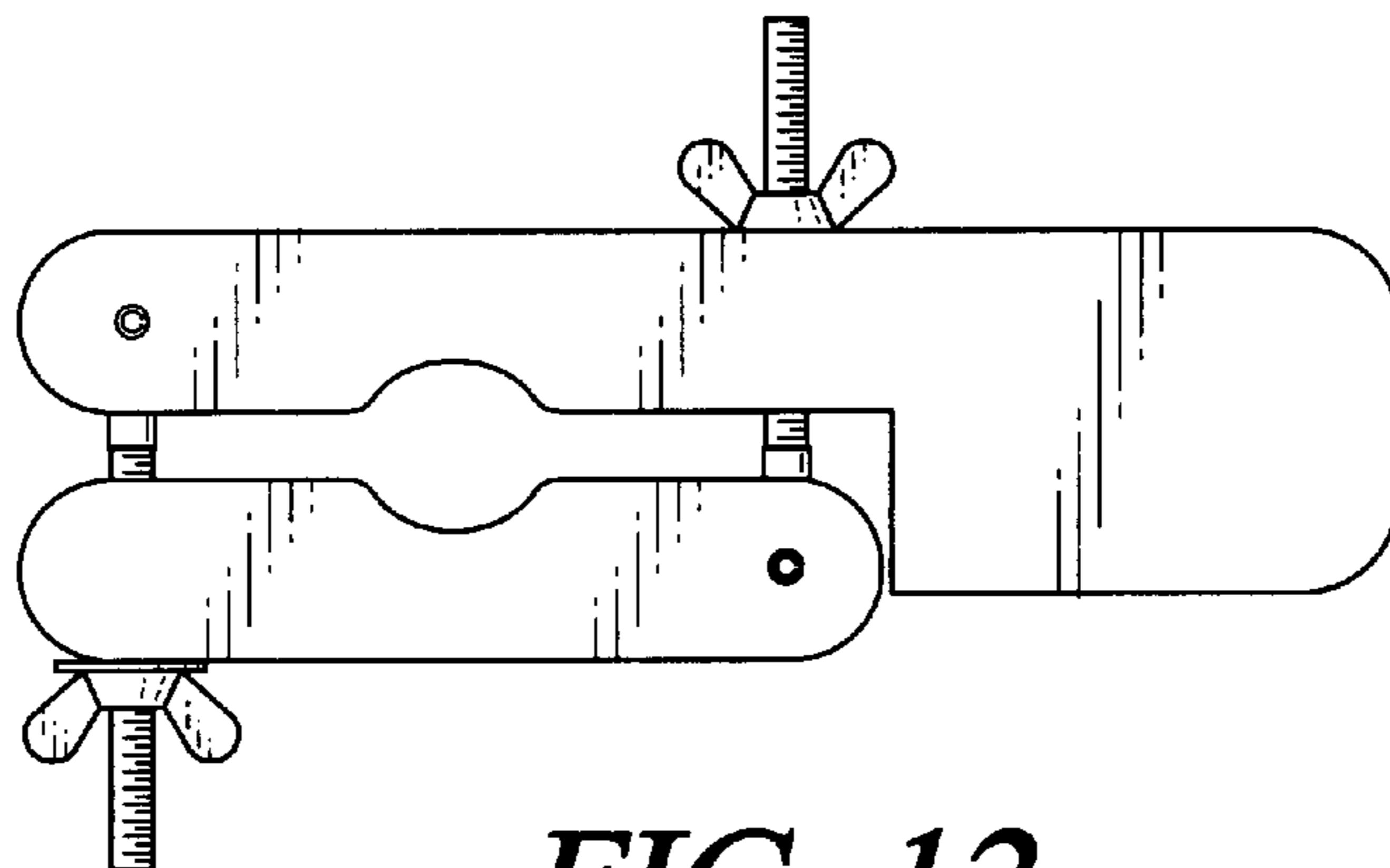


FIG. 12