

US00D542399S

(12) **United States Design Patent**  
**Chen**

(10) **Patent No.:** **US D542,399 S**

(45) **Date of Patent:** **\*\* May 8, 2007**

(54) **IONIC AIR PURIFIER**

D411,001 S \* 6/1999 Pinchuk ..... D23/364  
D434,483 S \* 11/2000 Pinchuk ..... D23/364

(75) Inventor: **Yaogang Chen, Xi'an (CN)**

\* cited by examiner

(73) Assignee: **Xi'an Kong Hong Information Technology Co., Ltd. (CN)**

*Primary Examiner*—Robin Webster

(74) *Attorney, Agent, or Firm*—Hamre, Schumann, Mueller & Larson, P.C.

(\*\*) Term: **14 Years**

(57) **CLAIM**

(21) Appl. No.: **29/239,641**

The ornamental design of an “ionic air purifier,” as shown and described.

(22) Filed: **Sep. 30, 2005**

(51) **LOC (8) Cl.** ..... **23-04**

(52) **U.S. Cl.** ..... **D23/364**

(58) **Field of Classification Search** ..... D23/355,  
D23/364-5, 360-1; 55/467, 471-2  
See application file for complete search history.

**DESCRIPTION**

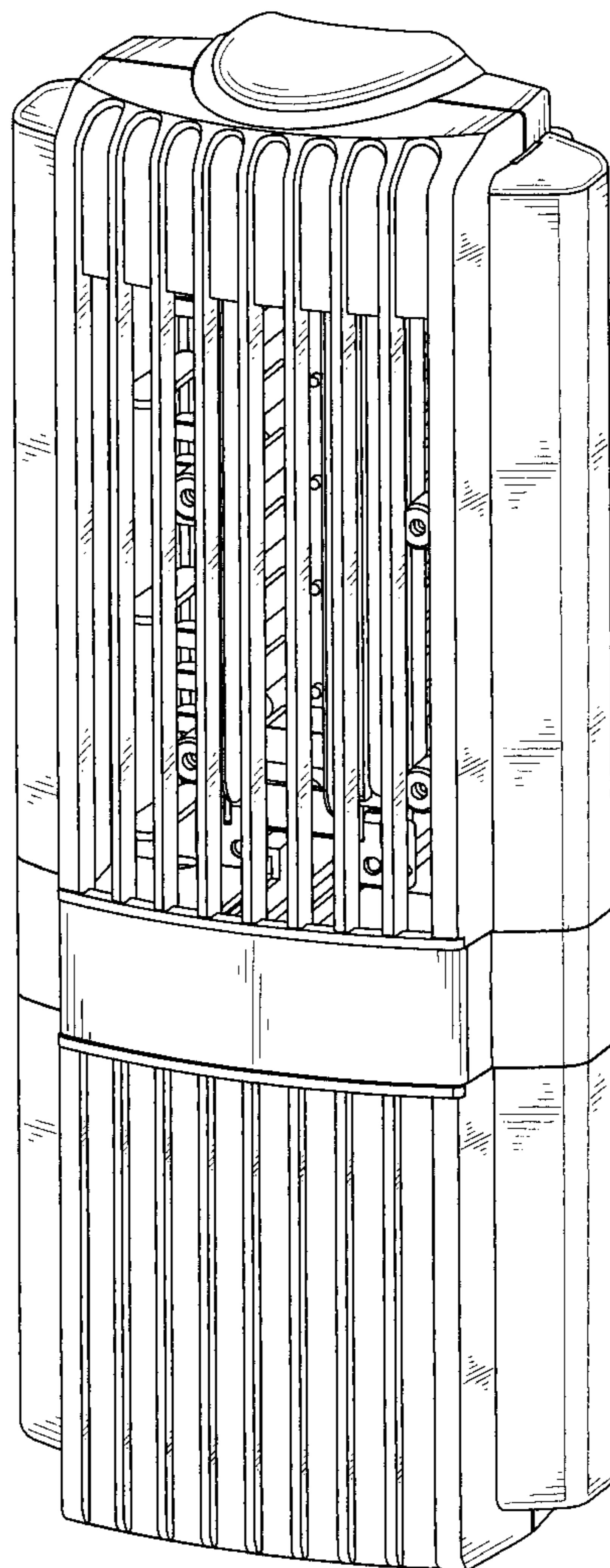
FIG. 1 is a front, top and right side perspective view of an ionic air purifier showing my new design; FIG. 2 is a front elevational view thereof; FIG. 3 is a rear elevational view thereof; FIG. 4 is a left side elevational view thereof; FIG. 5 is a right side elevational view thereof; FIG. 6 is a top plan view thereof; and, FIG. 7 is a bottom plan view thereof.

(56) **References Cited**

**U.S. PATENT DOCUMENTS**

D228,287 S \* 9/1973 Costello ..... D23/360  
D246,986 S \* 1/1978 Costello ..... D23/360

**1 Claim, 5 Drawing Sheets**



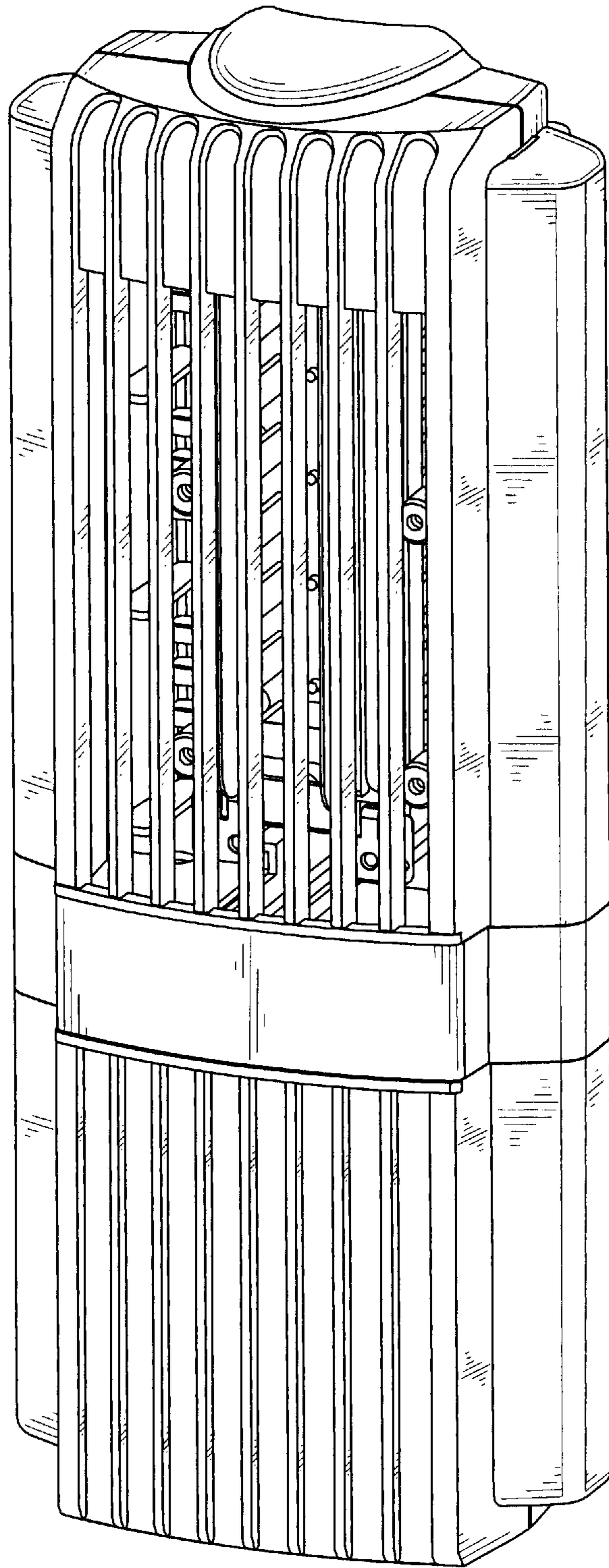


FIG. 1

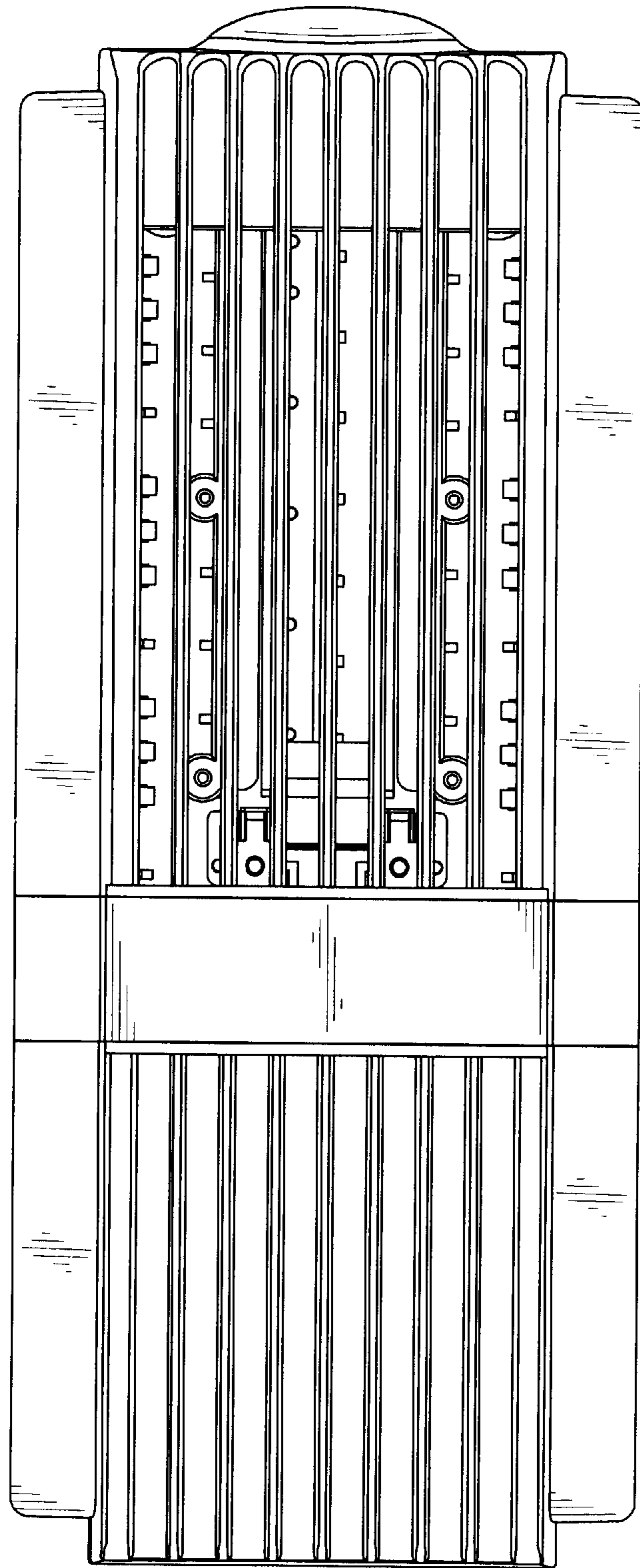


FIG. 2

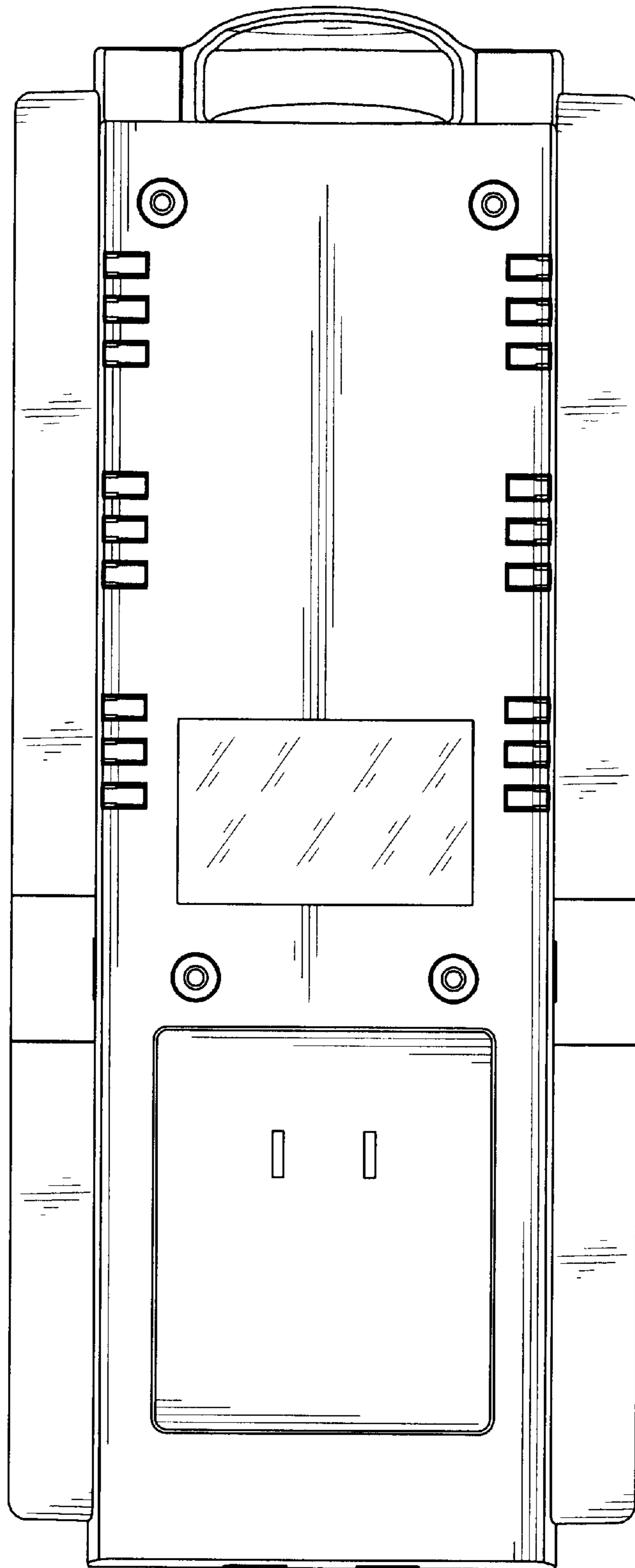


FIG. 3

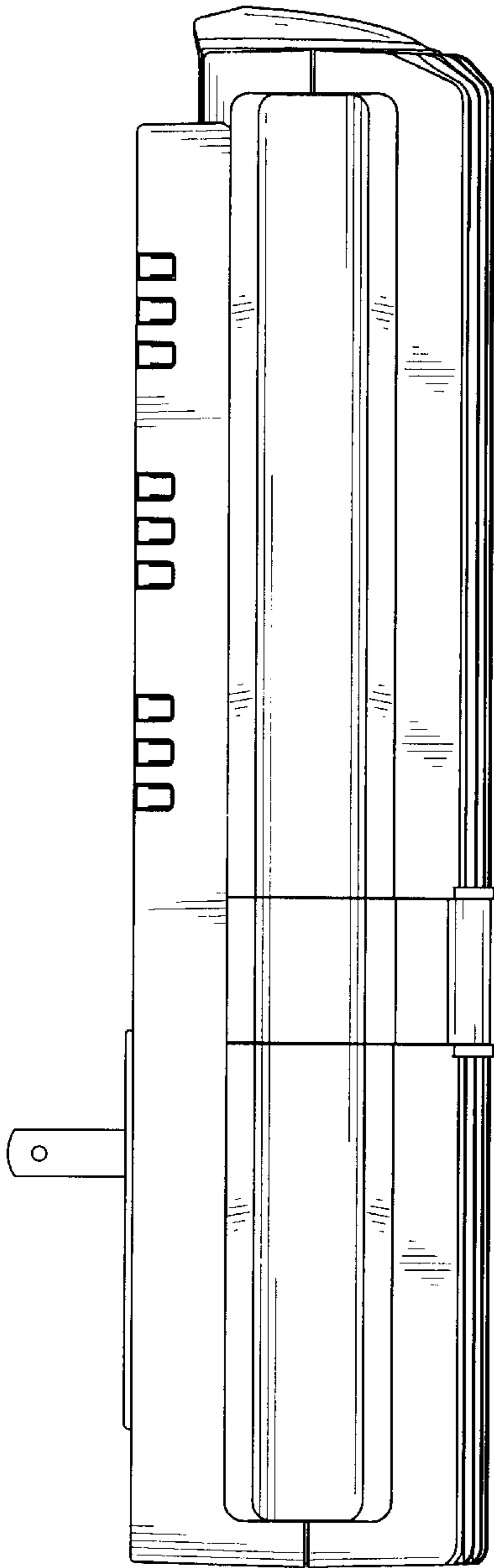


FIG. 4

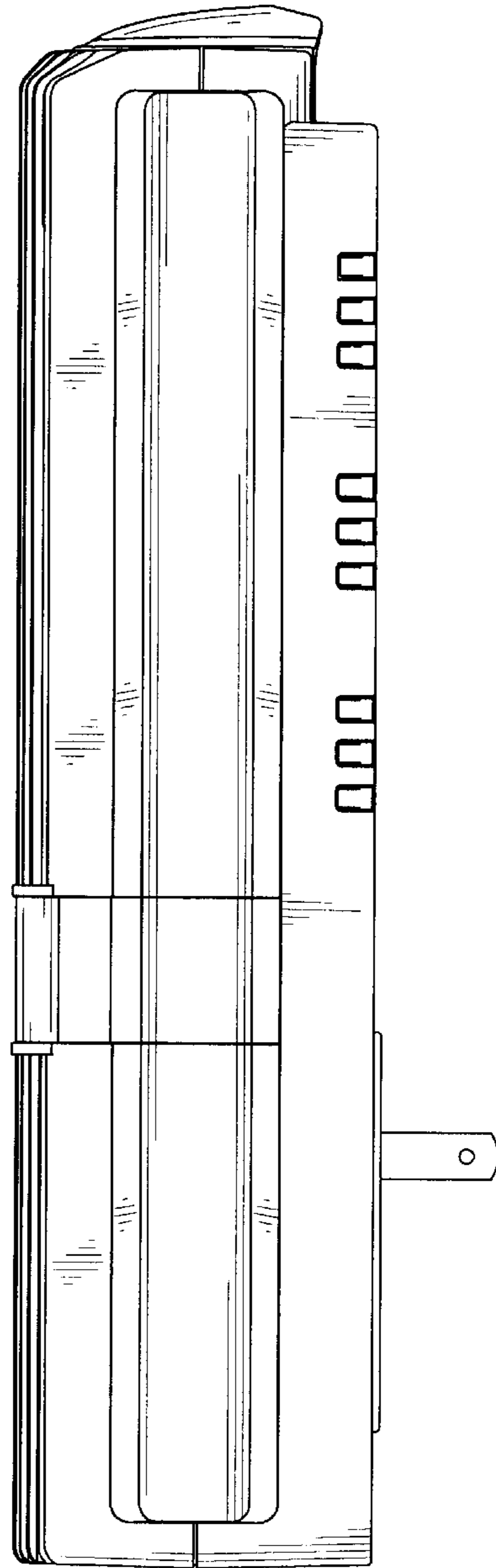


FIG. 5

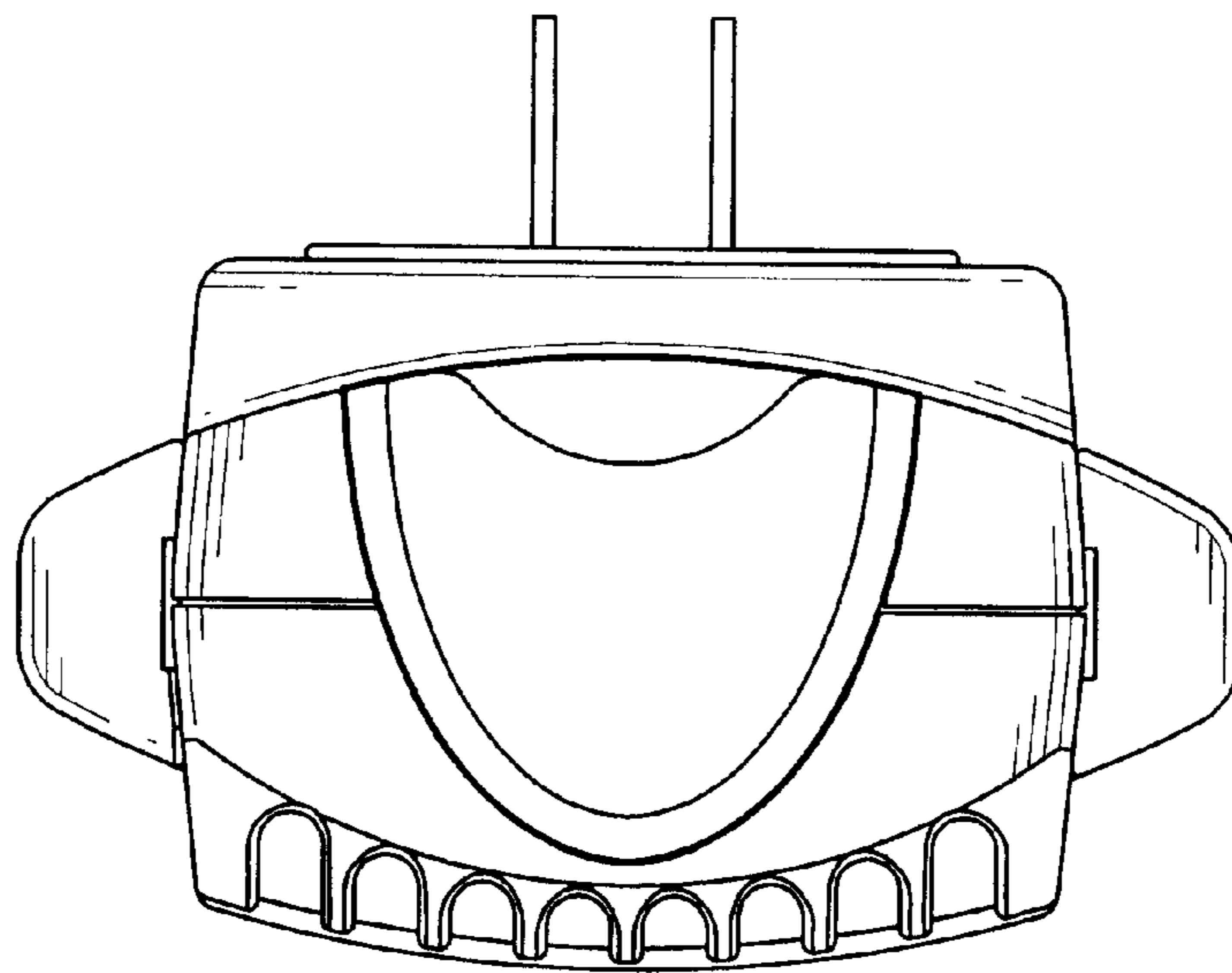


FIG. 6

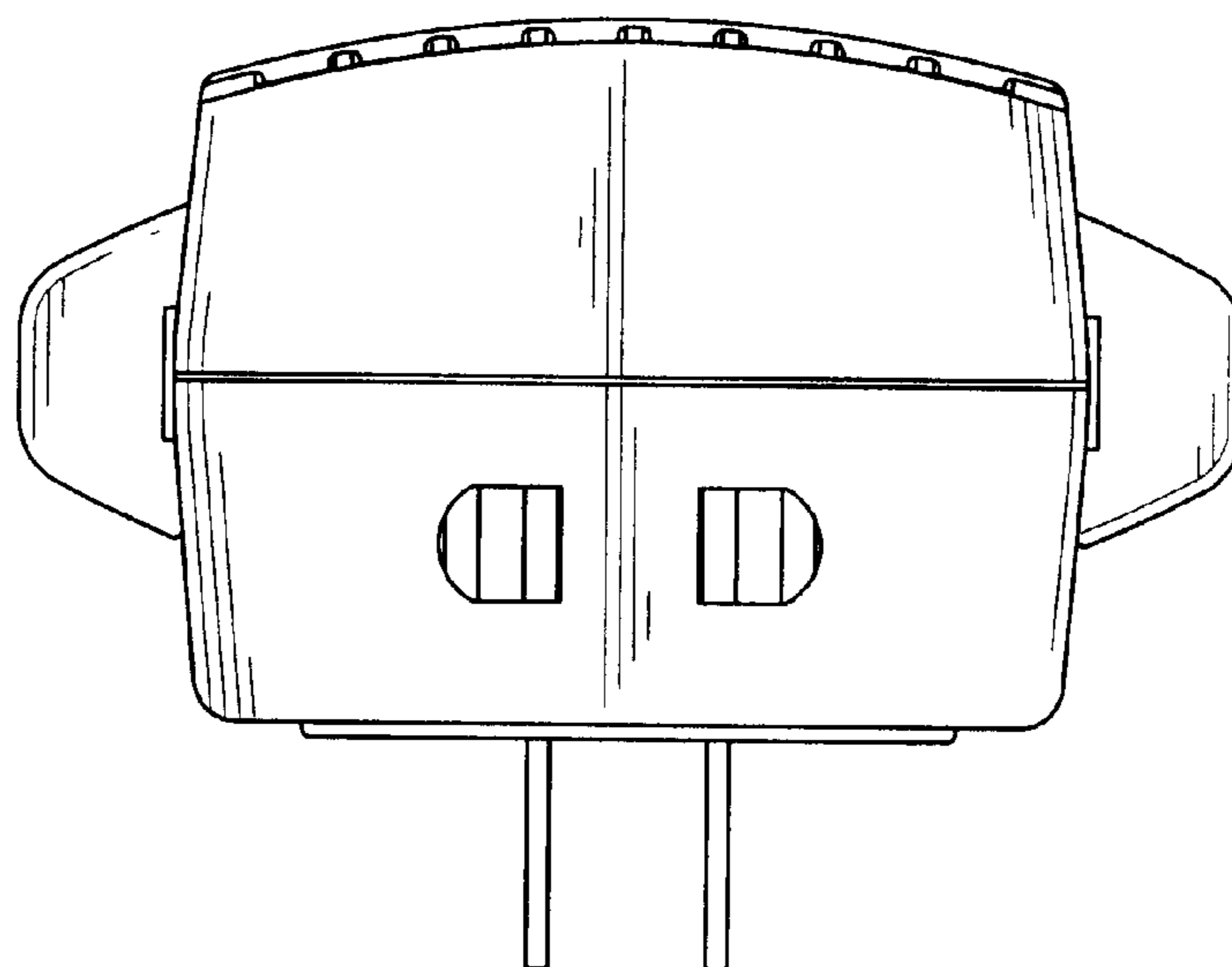


FIG. 7