



US00D542398S

(12) **United States Design Patent**
Pitchford et al.

(10) **Patent No.:** **US D542,398 S**

(45) **Date of Patent:** **** May 8, 2007**

(54) **PORTABLE HEATER**

(75) Inventors: **Eric Pitchford**, Bowling Green, KY (US); **Craig Higginbotham**, Bowling Green, KY (US); **Henry Haley**, Auburn, KY (US); **Griffin Bland**, Bowling Green, KY (US)

(73) Assignee: **Desa IP, LLC**, Miami, FL (US)

(**) Term: **14 Years**

(21) Appl. No.: **29/254,089**

(22) Filed: **Feb. 16, 2006**

(51) **LOC (8) Cl.** **23-03**

(52) **U.S. Cl.** **D23/336; D23/342; D23/332**

(58) **Field of Classification Search** D23/332, D23/335-336, 342, 370, 381-382; 392/360, 392/365, 366, 367, 368, 369, 379; 415/95, 415/121.2, 247 R

See application file for complete search history.

(56) **References Cited**

U.S. PATENT DOCUMENTS

1,730,982 A	10/1929	Pankratz et al.	
2,323,456 A	7/1943	Curley et al.	
2,326,360 A	8/1943	Ingersoll	
2,336,716 A	12/1943	Clements	
2,431,724 A	12/1947	Aydt	
D153,542 S	* 4/1949	Owens et al.	D23/382
2,950,859 A	8/1960	Kirk	
3,261,597 A	7/1966	McGough	
3,706,446 A	12/1972	Briggs	
3,725,640 A	4/1973	Kunz	
3,822,690 A	7/1974	Kofink	
3,894,526 A	7/1975	Kofink	
D256,273 S	* 8/1980	Townsend et al.	D23/336
4,307,701 A	12/1981	Balon et al.	
4,443,187 A	4/1984	Shaftner et al.	

D276,841 S	* 12/1984	Church	D23/336
D315,597 S	* 3/1991	Botheras et al.	D23/332
D319,694 S	* 9/1991	Wortham	D23/336
D325,628 S	* 4/1992	Cho	D23/370
D341,417 S	* 11/1993	Wortham	D23/336
D347,683 S	* 6/1994	Chiu et al.	D23/336
5,540,213 A	7/1996	Shell et al.	
5,766,003 A	6/1998	Vogelzang	
5,848,585 A	12/1998	Long et al.	
D452,905 S	* 1/2002	Peng	D23/370
6,843,642 B2	1/2005	Hung	
6,857,870 B2	2/2005	Topp	
6,942,464 B2	9/2005	Brashears et al.	
6,991,437 B2	1/2006	Cherry et al.	
7,029,240 B2	4/2006	Baron et al.	
2003/0161722 A1	* 8/2003	Galassi	415/121.2
2005/0089409 A1	4/2005	Boohar et al.	

* cited by examiner

Primary Examiner—Louis S. Zarfaz

Assistant Examiner—Eric L. Goodman

(74) *Attorney, Agent, or Firm*—John F. Salazar; Middleton Reutlinger

(57) **CLAIM**

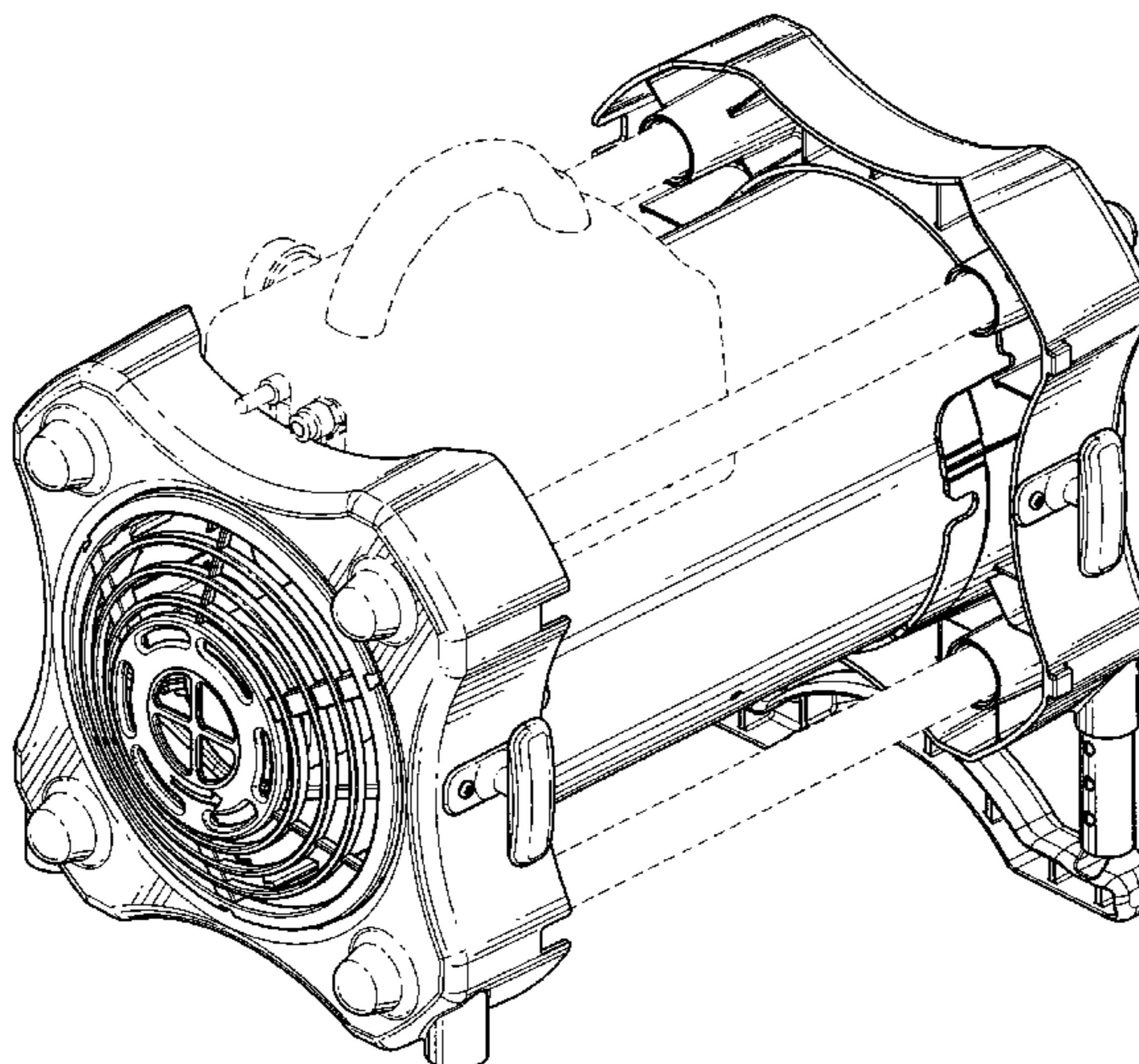
The ornamental design for a portable heater, as shown and described.

DESCRIPTION

FIG. 1 is a perspective view of the portable heater design; FIG. 2 is a left side view thereof; FIG. 3 is a top view thereof; FIG. 4 is a right side view thereof; FIG. 5 is a bottom view thereof; FIG. 6 is a rear view thereof; and, FIG. 7 is a front view thereof.

The broken lines are for illustrative purposes and form no part of the claimed design and to define boundaries between claimed and unclaimed portions of the claimed design.

1 Claim, 7 Drawing Sheets



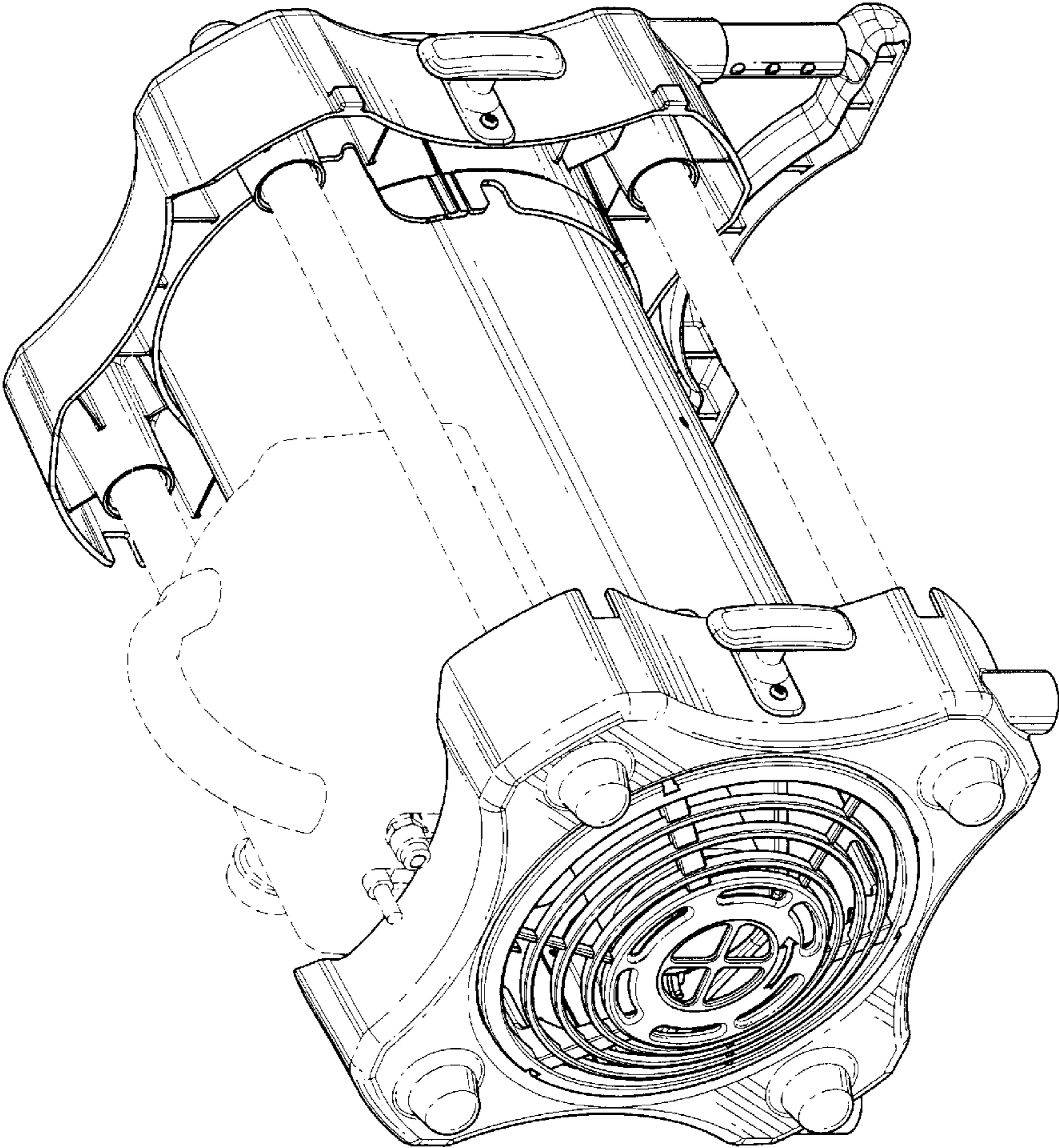


FIG. 1

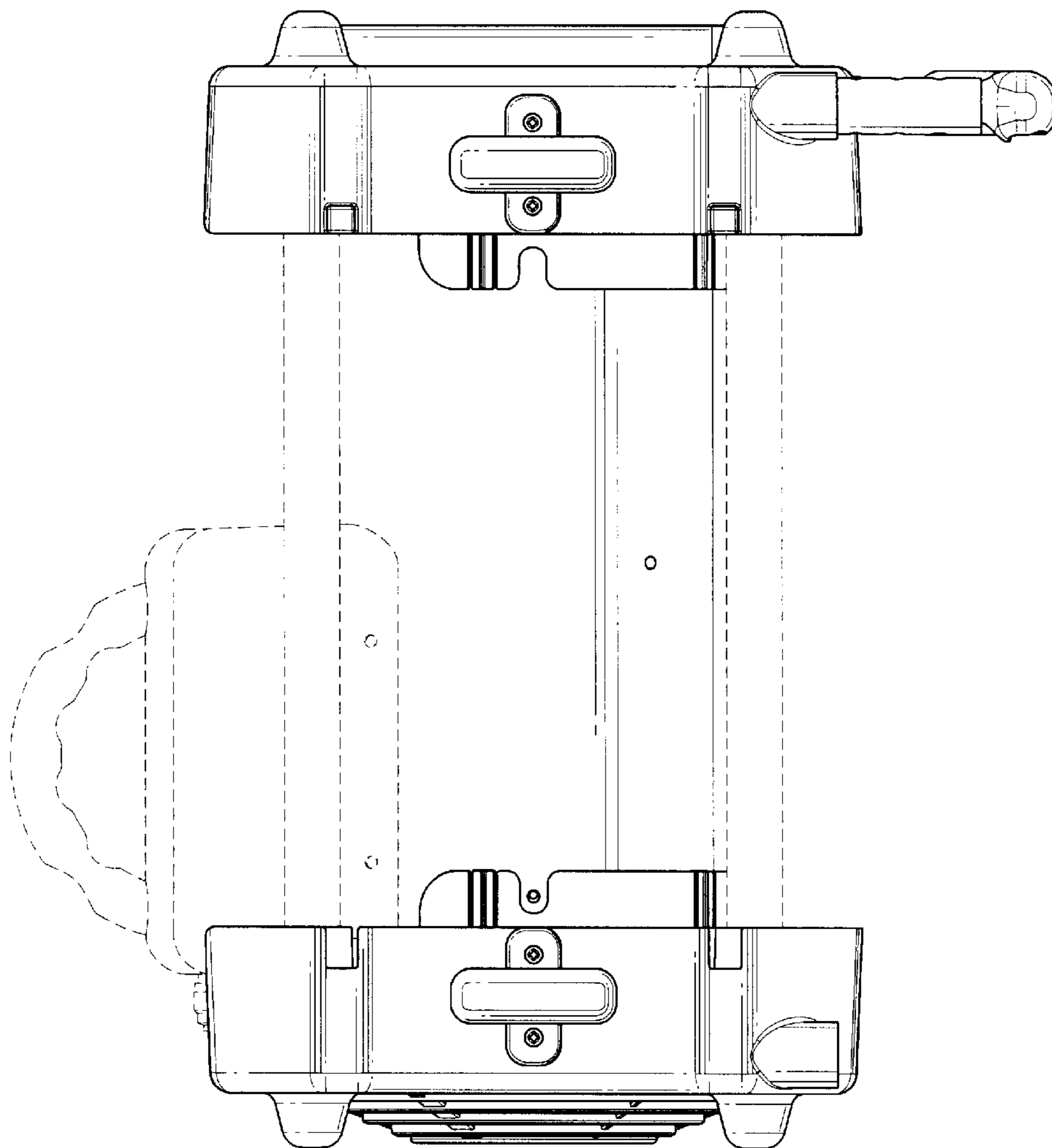


FIG. 2

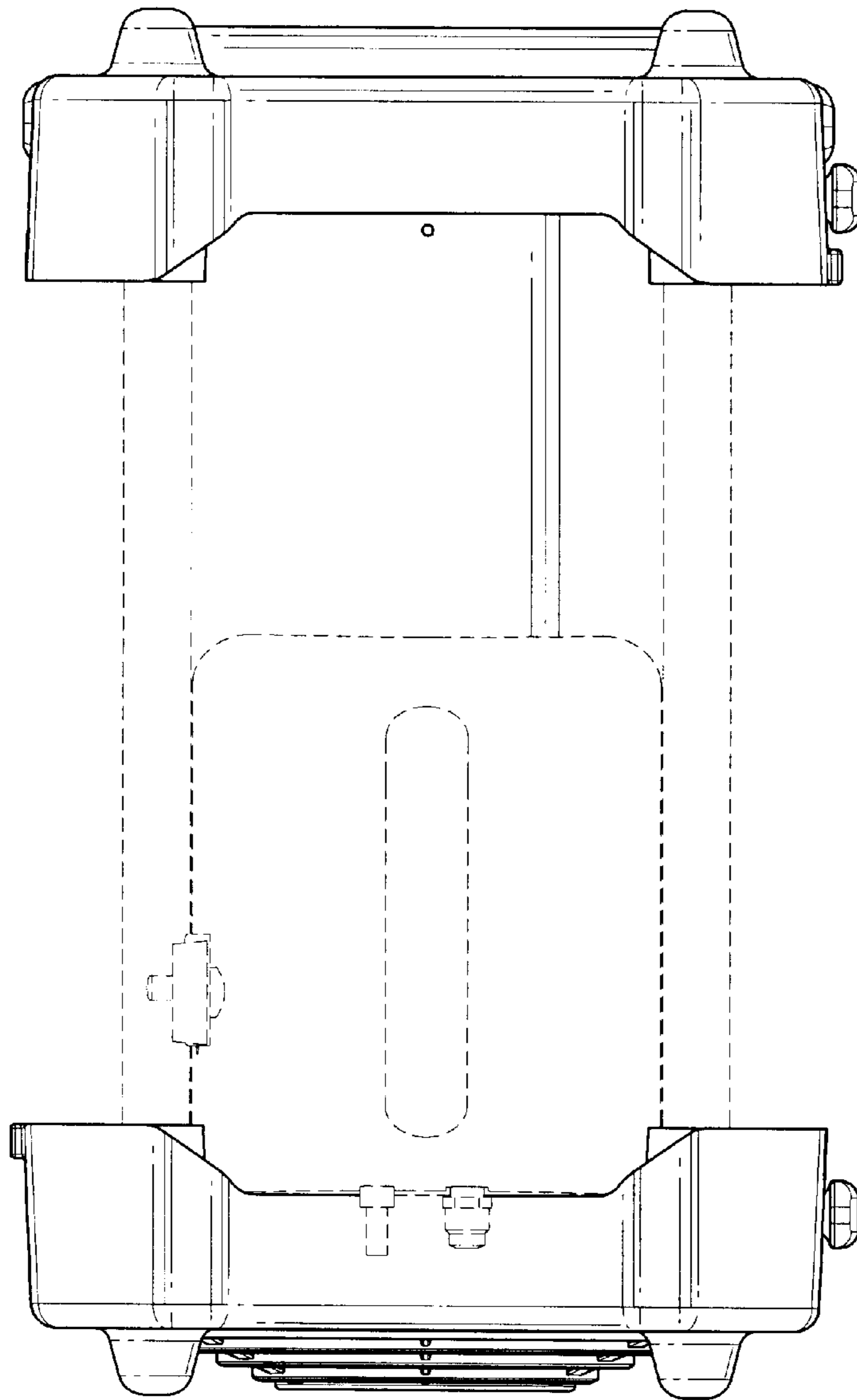


FIG. 3

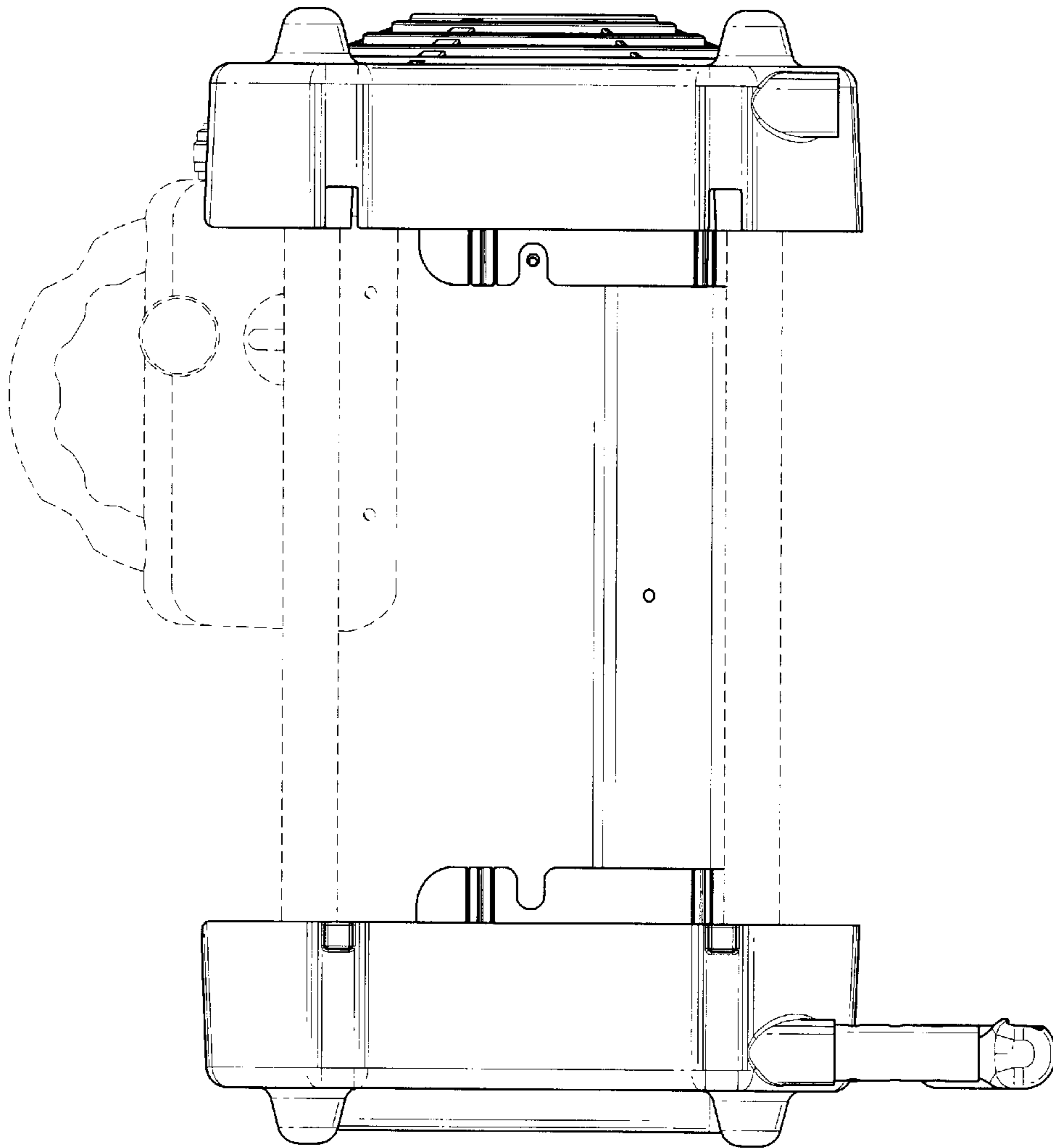


FIG. 4

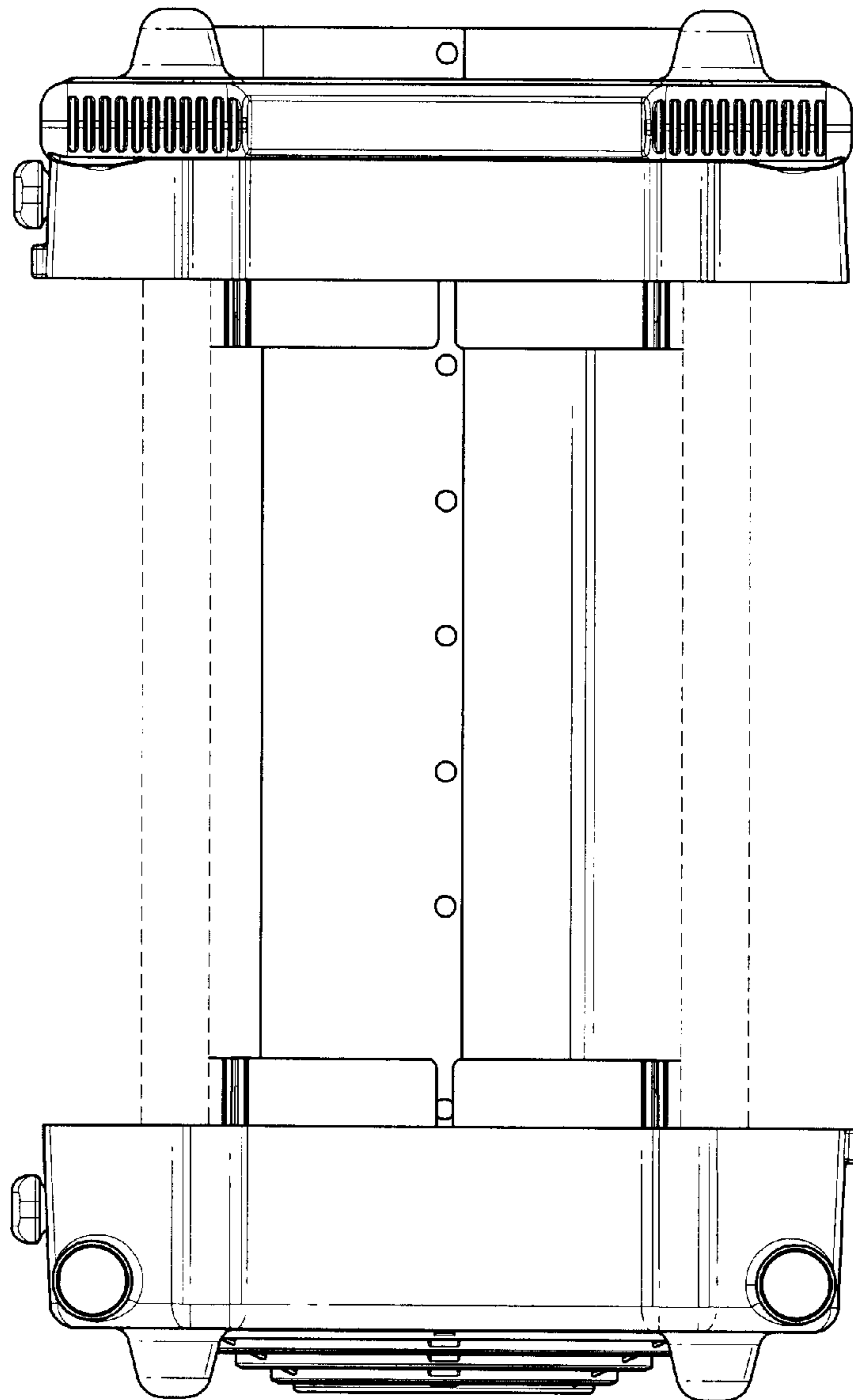


FIG. 5

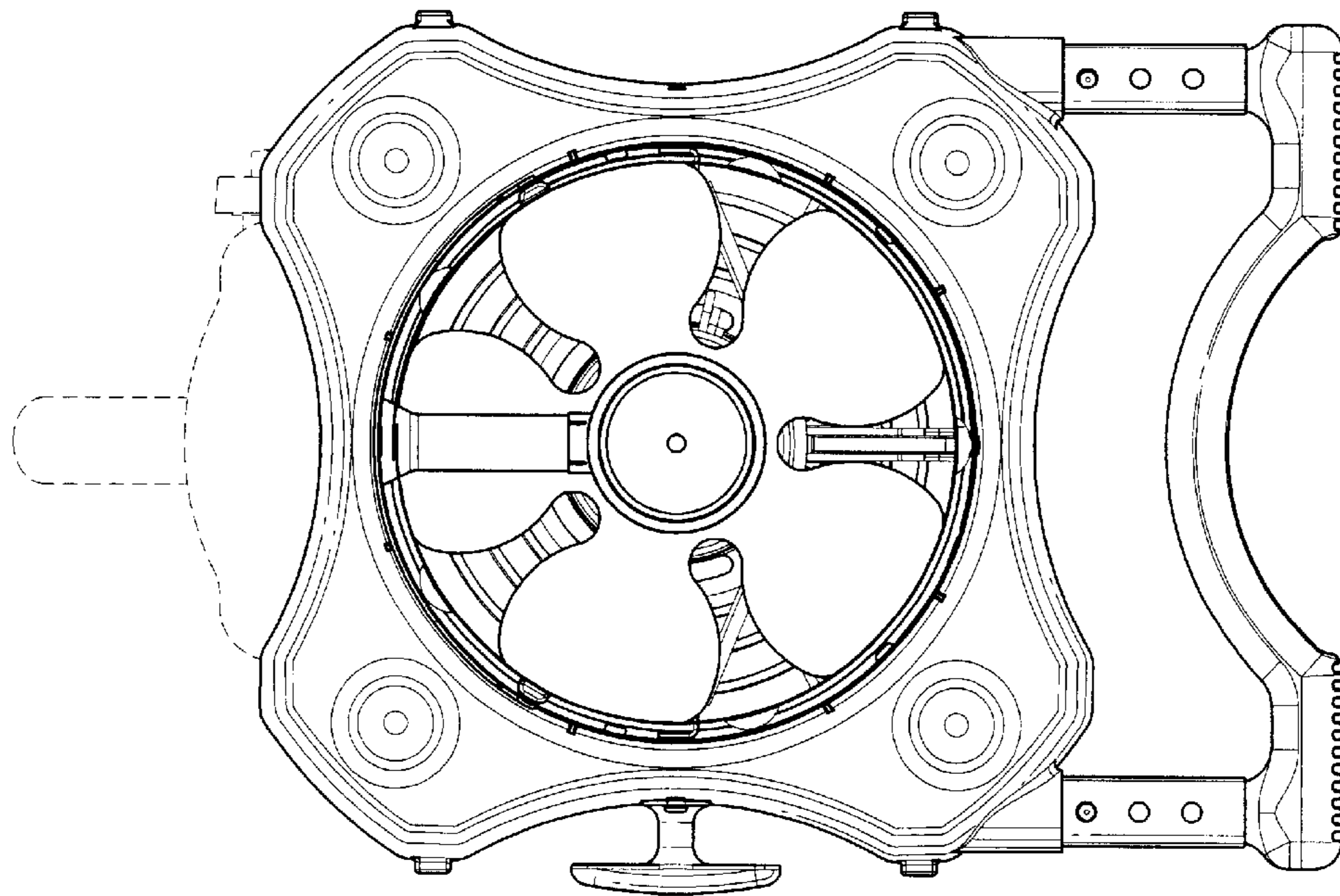


FIG. 6

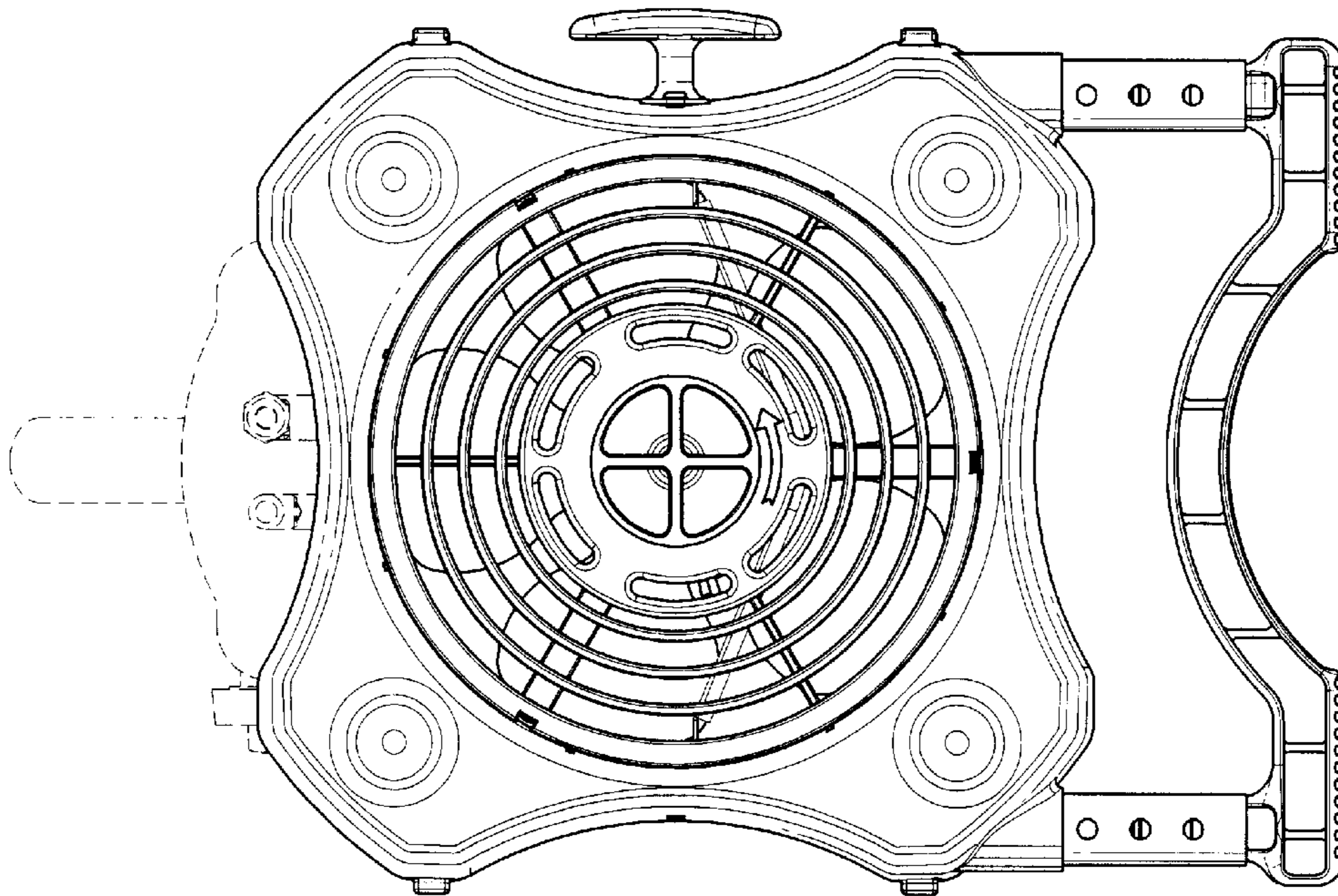


FIG. 7