



US00D542396S

(12) **United States Design Patent** (10) **Patent No.:** **US D542,396 S**
Bates (45) **Date of Patent:** **** May 8, 2007**

- (54) **WATER CLOSET LID**
- (75) Inventor: **Michael R. Bates**, Sheboygan, WI (US)
- (73) Assignee: **Kohler Co.**, Kohler, WI (US)
- (**) Term: **14 Years**
- (21) Appl. No.: **29/248,844**
- (22) Filed: **Sep. 7, 2006**

Related U.S. Application Data

- (62) Division of application No. 29/242,184, filed on Nov. 7, 2005.
- (51) **LOC (8) Cl.** **23-02**
- (52) **U.S. Cl.** **D23/313**
- (58) **Field of Classification Search** D23/273-274, D23/295-301, 303, 309, 313; 4/663-665, 4/300-300.3, 312-313, 328-329, 353, 420, 4/443-446, 449, 459-460, 479-480, 902, 4/905, DIG. 11, DIG. 12, DIG. 15
See application file for complete search history.

References Cited

U.S. PATENT DOCUMENTS

| | | | | | |
|------------|---|---------|---------|-------|---------|
| D199,729 S | * | 12/1964 | Kaiser | | D23/313 |
| D424,181 S | * | 5/2000 | Caplow | | D23/301 |
| D471,621 S | * | 3/2003 | Bennie | | D23/313 |
| D523,126 S | * | 6/2006 | Bates | | D23/295 |
| D531,714 S | * | 11/2006 | Soulier | | D23/313 |

OTHER PUBLICATIONS

Kallista 2001 Catalog: Model No. P70021 "Stafford Two-Piece Toilet," p. 4.15.
Kallista 2001 Catalog: Model No. P70051 "Hampstead Two-Piece Toilet," p. 4.11.

Kohler Jun. 1994 Catalog: Model No. K-3490 "Portrait Lite Toilet," p. 14-9.
Kohler Co., 2004 K-700 Design Manual, Model No. K-3429-96 "Memoirs Two-Piece Toiler," p. 12-16.
American Standard company website, "Townsend Champion Round Front Right Height Toilet," no date specified.

* cited by examiner

Primary Examiner—Robert A. Delehanty
(74) *Attorney, Agent, or Firm*—Quarles & Brady LLP

(57) **CLAIM**

The ornamental design for a water closet lid, as shown and described.

DESCRIPTION

In a preferred embodiment, the nature of this product is as a plumbing fixture in the form of a water closet lid.
FIG. 1 is a right, top, front perspective view of a water closet lid embodying my new design;
FIG. 2 is a top plan view thereof;
FIG. 3 is a front elevational view thereof;
FIG. 4 is a left side elevational view thereof, the right side elevational view thereof being a mirror image of the left side shown;
FIG. 5 is a rear elevational view thereof; and,
FIG. 6 is a bottom plan view thereof.
The broken line representations of underside features in FIGS. 3-6 are for the purpose of illustration only, and form no part of the claimed design.

1 Claim, 1 Drawing Sheet

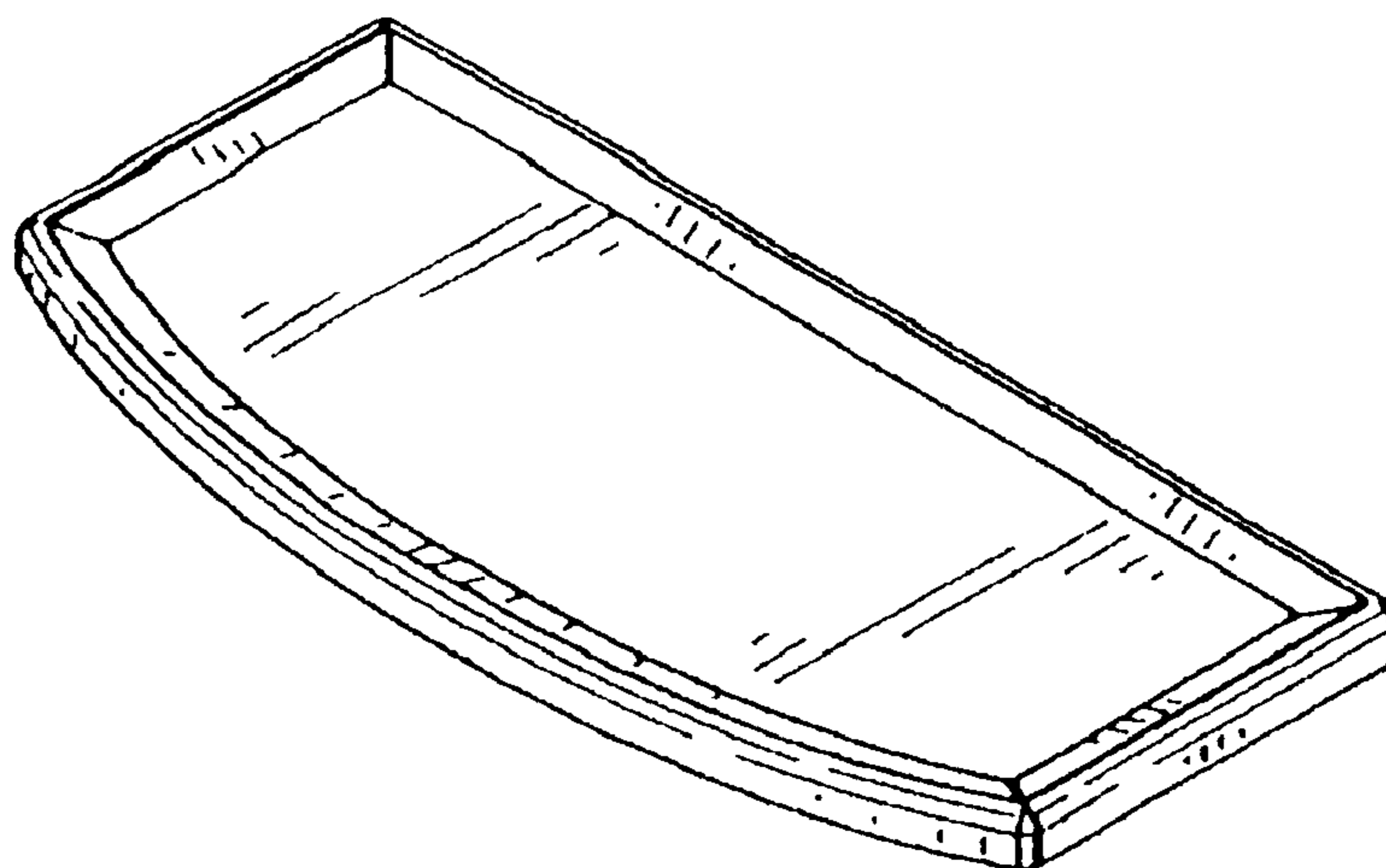


FIG. 1

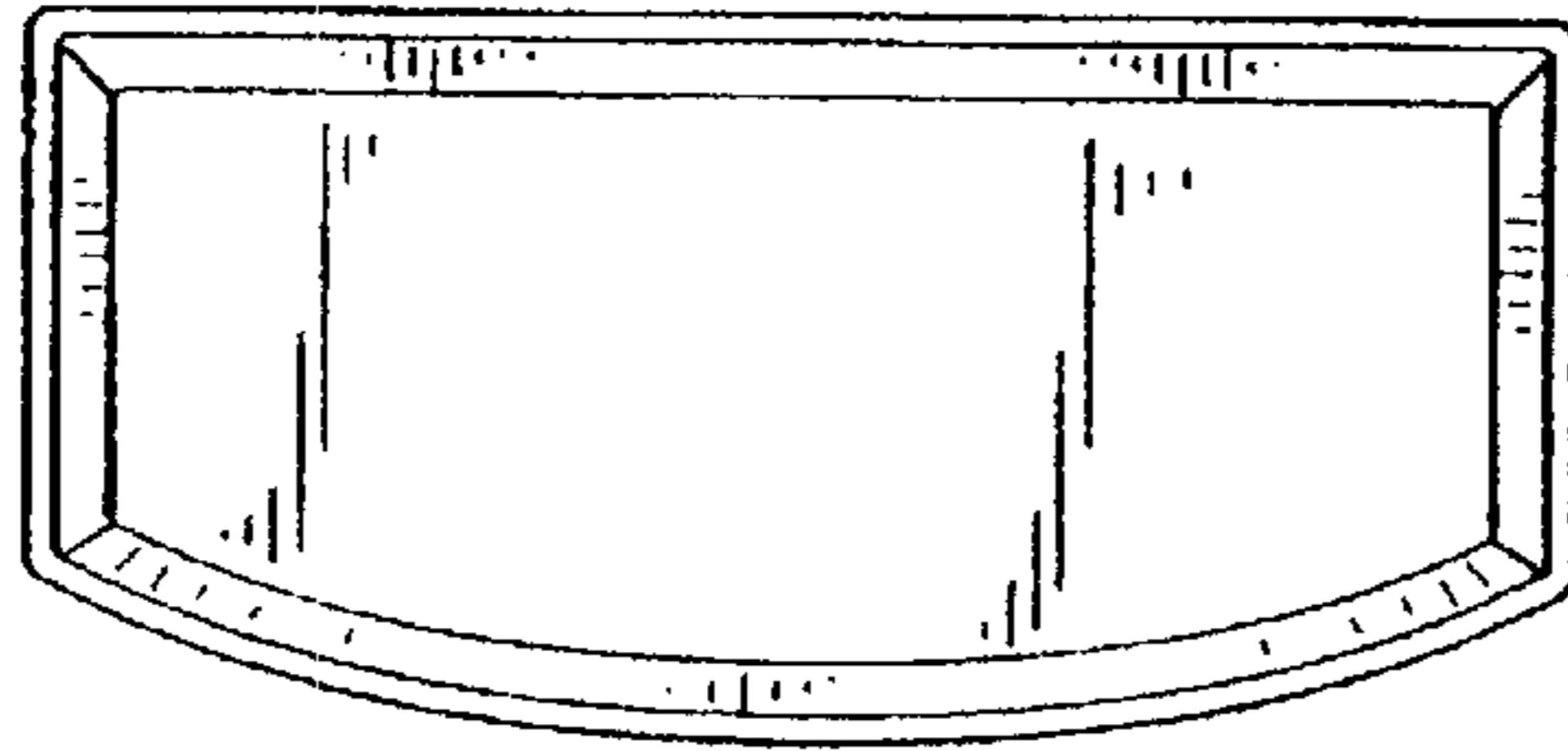
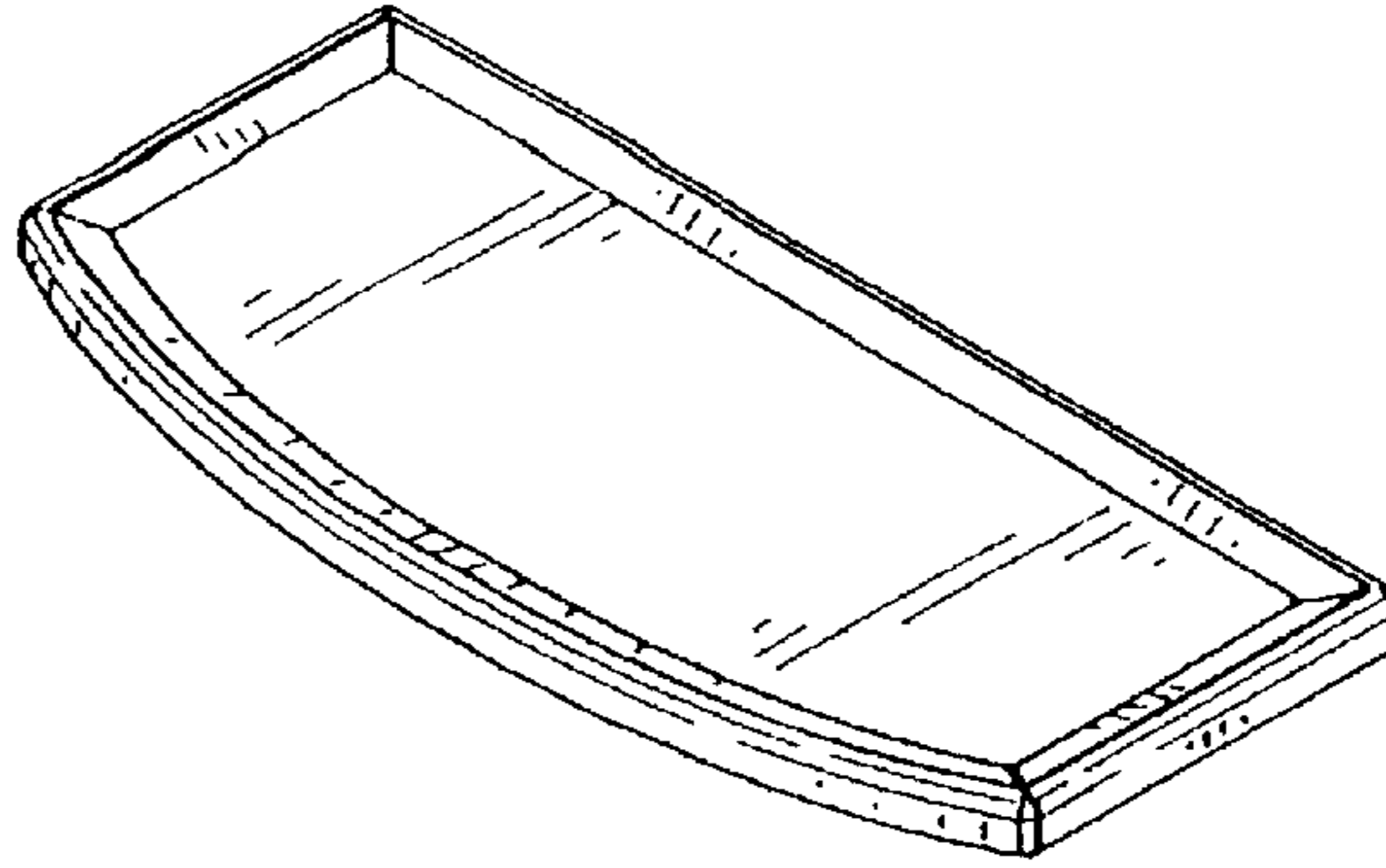


FIG. 2

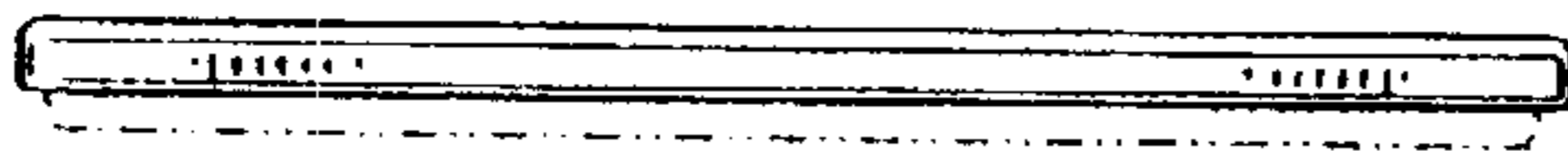


FIG. 3

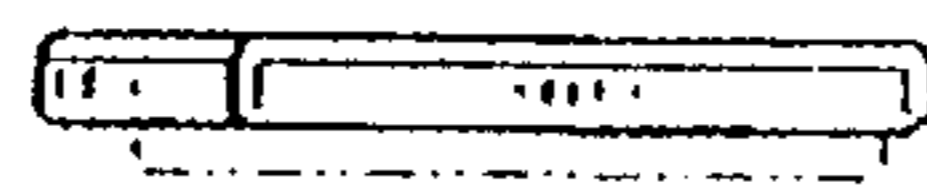


FIG. 4

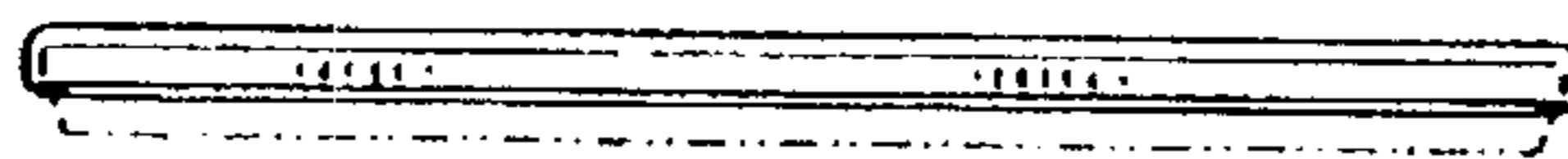


FIG. 5

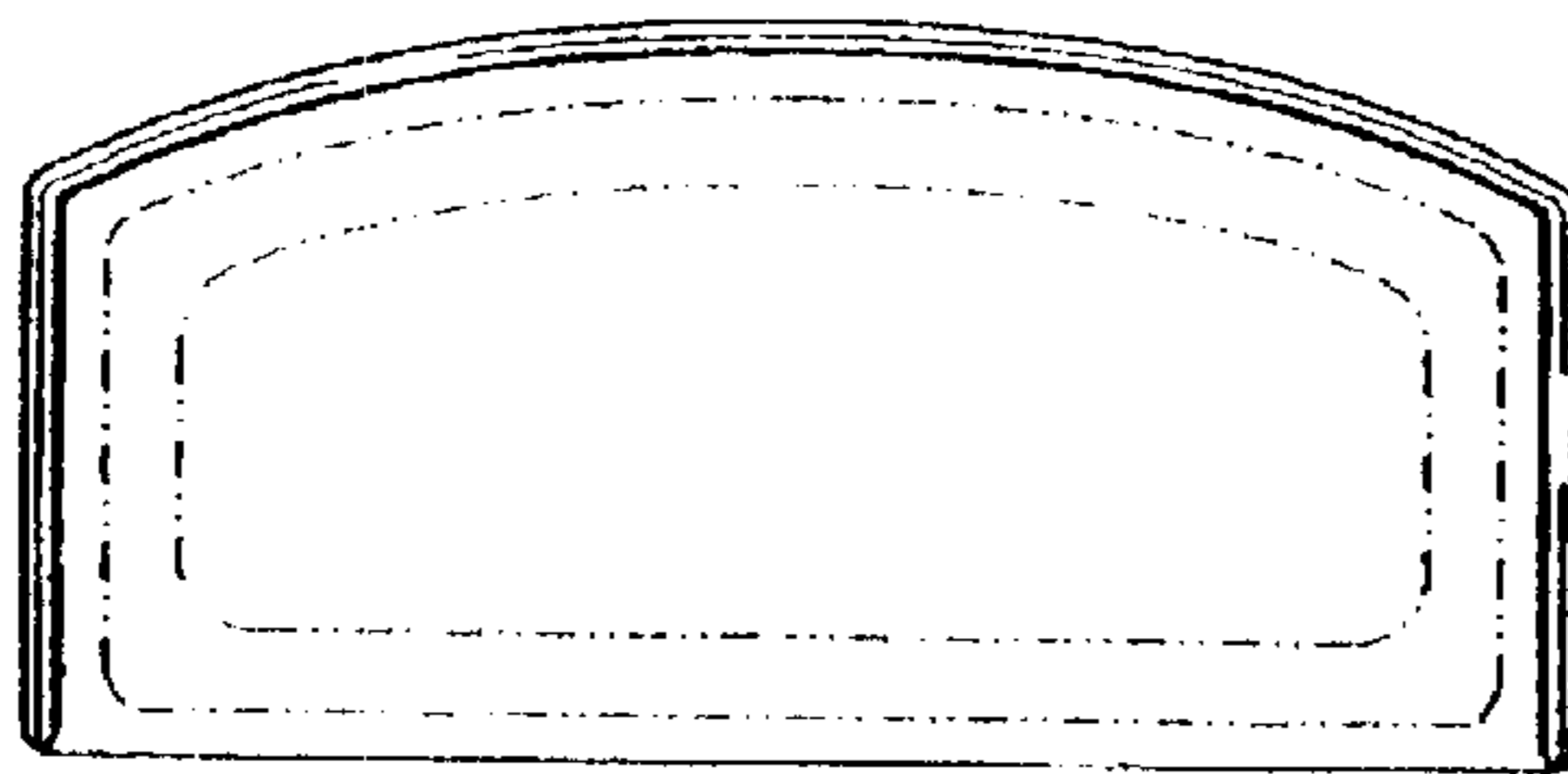


FIG. 6