

US00D542393S

(12) **United States Design Patent**
Haug et al.

(10) **Patent No.:** **US D542,393 S**

(45) **Date of Patent:** **** May 8, 2007**

(54) **SHOWERHEAD BRACKET**

(75) Inventors: **Andreas Haug**, Stuttgart (DE); **Tom Schönherr**, Stuttgart (DE); **Andreas Dimitriadis**, Lorch (DE); **Peter Kolin**, Schwäbisch Gmünd (DE)

(73) Assignee: **Hansgrohe AG** (DE)

(**) Term: **14 Years**

(21) Appl. No.: **29/247,343**

(22) Filed: **Jun. 13, 2006**

(30) **Foreign Application Priority Data**

Dec. 15, 2005 (EM) 000449178-0014

(51) **LOC (8) Cl.** **23-02**

(52) **U.S. Cl.** **D23/304**

(58) **Field of Classification Search** D23/223,
D23/228-229, 279, 303-304; 4/567-569,
4/601, 615; D8/352, 354

See application file for complete search history.

(56) **References Cited**

U.S. PATENT DOCUMENTS

D266,212 S * 9/1982 Haug D23/304

D340,376 S * 10/1993 Klose D23/223
D403,754 S * 1/1999 Gottwald D23/304
D484,226 S * 12/2003 Cropelli D23/304
7,043,776 B1 * 5/2006 Wu 4/601

* cited by examiner

Primary Examiner—Robert A. Delehanty

(74) *Attorney, Agent, or Firm*—Kwadjo Adusei-Poku;
Lloyd D. Doigan

(57) **CLAIM**

The ornamental design for a showerhead bracket, as shown and described.

DESCRIPTION

FIG. 1 is a front perspective view of a showerhead bracket showing our design;

FIG. 2 is a top plan view thereof;

FIG. 3 is a left side elevational view thereof;

FIG. 4 is a rear elevational view thereof;

FIG. 5 is a right side elevational view thereof;

FIG. 6 is a front elevational view thereof; and,

FIG. 7 is a bottom plan view thereof.

1 Claim, 2 Drawing Sheets

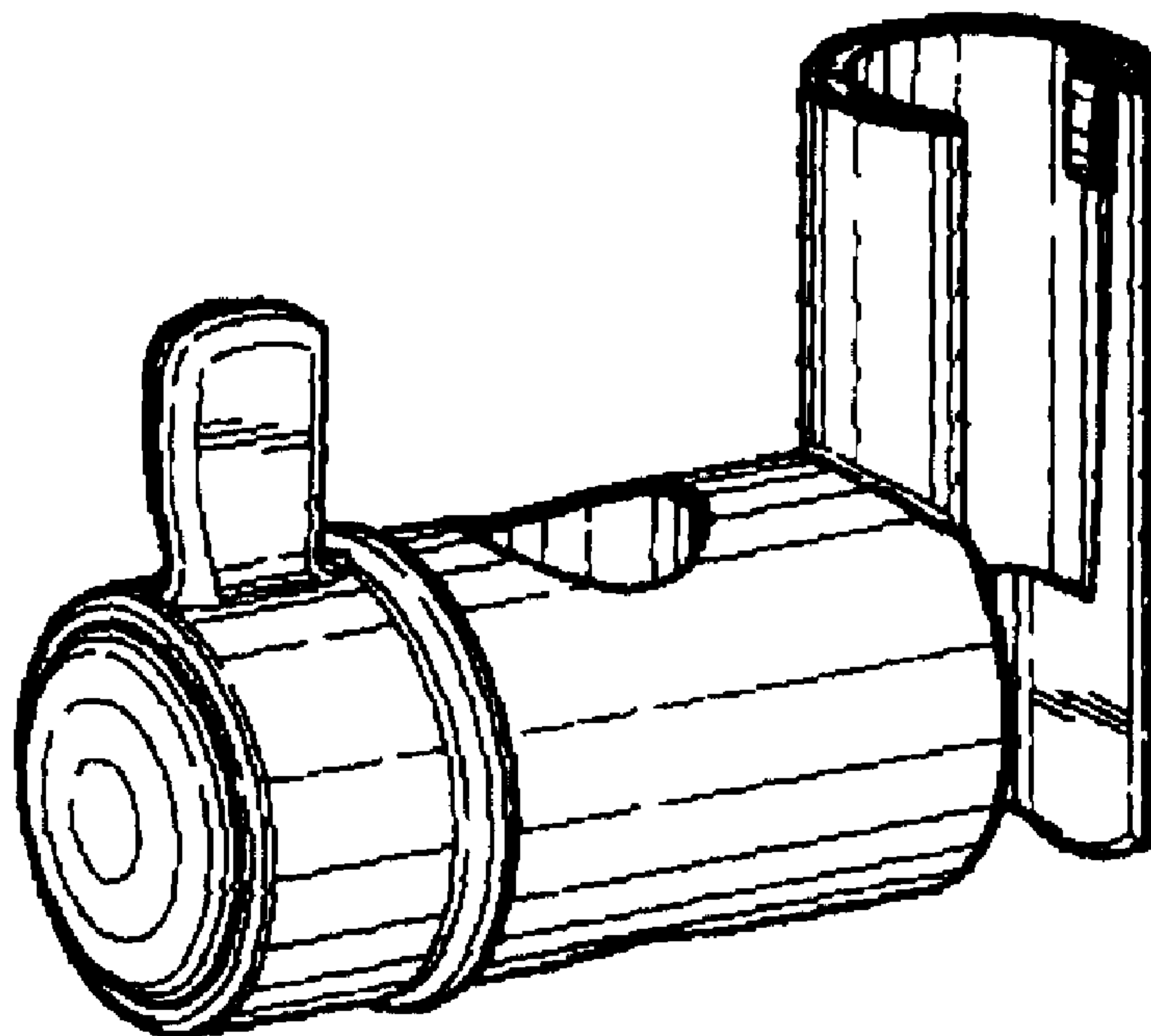
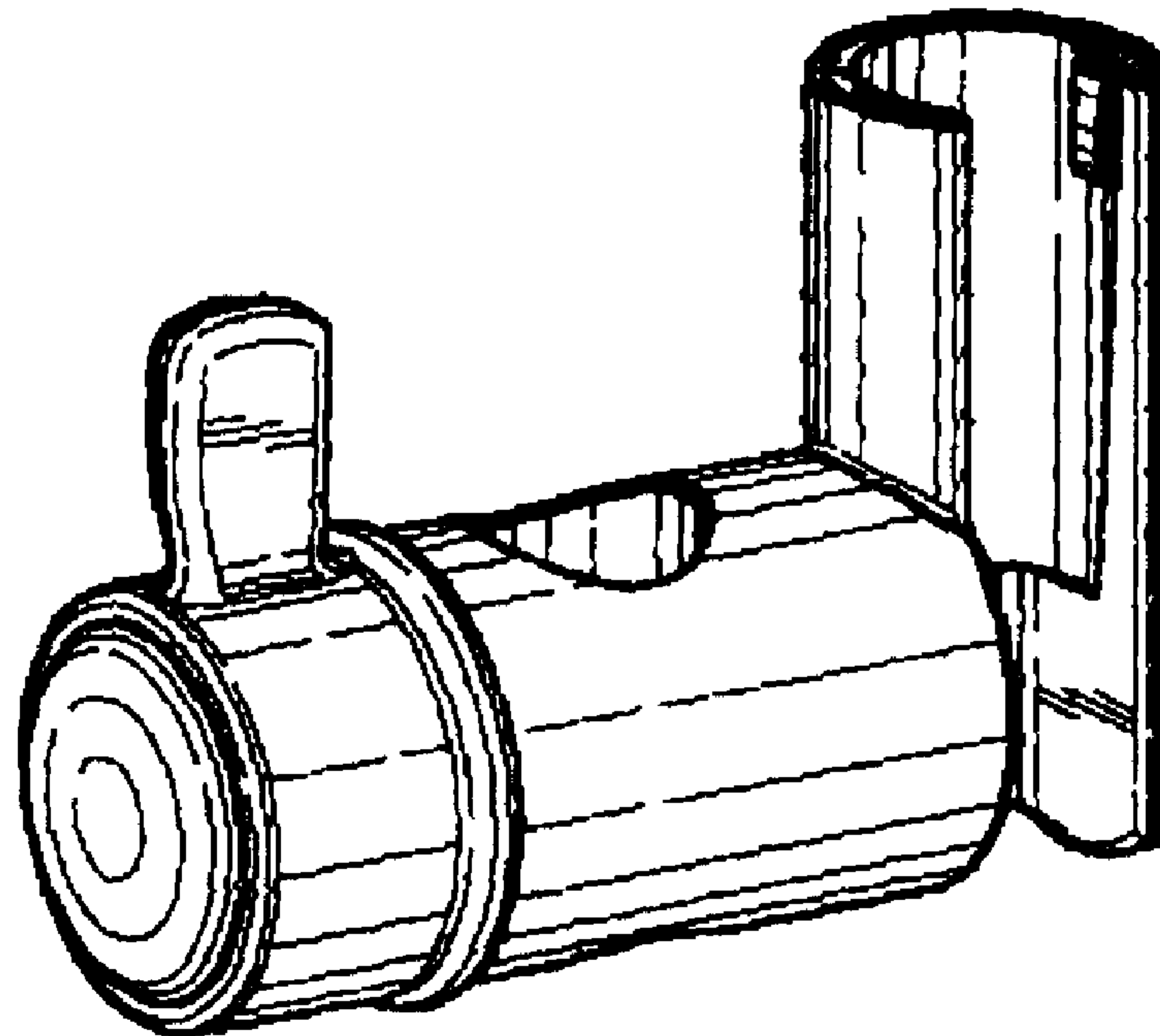


FIG. 1



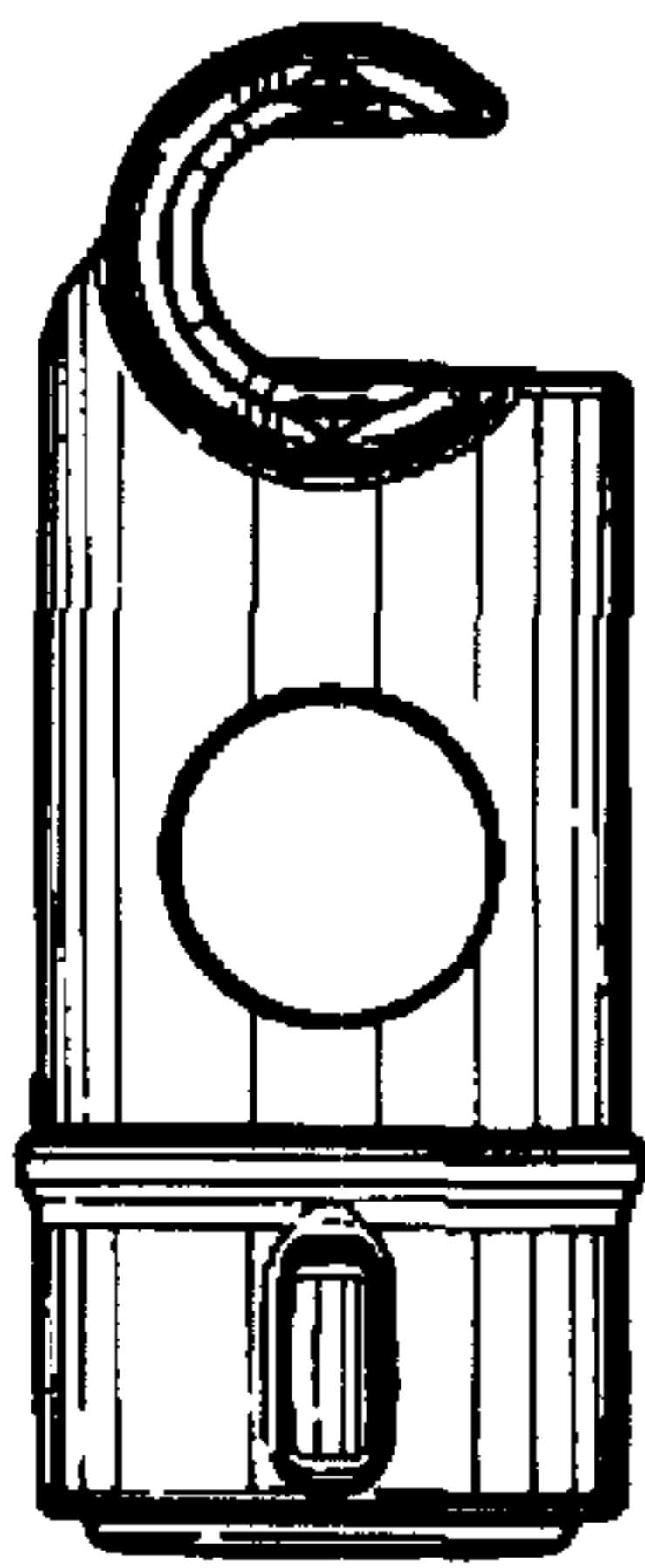


FIG. 2

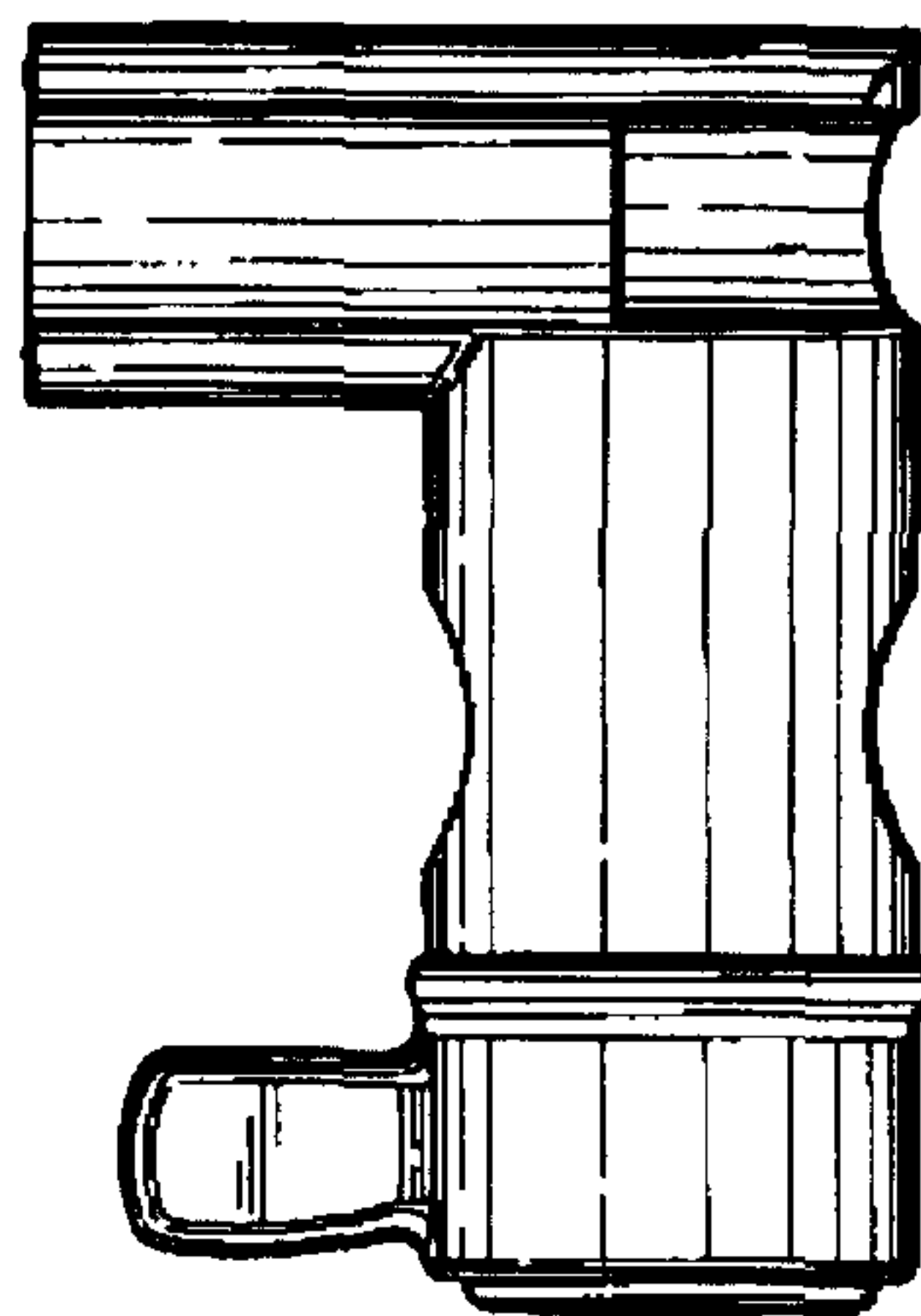


FIG. 3

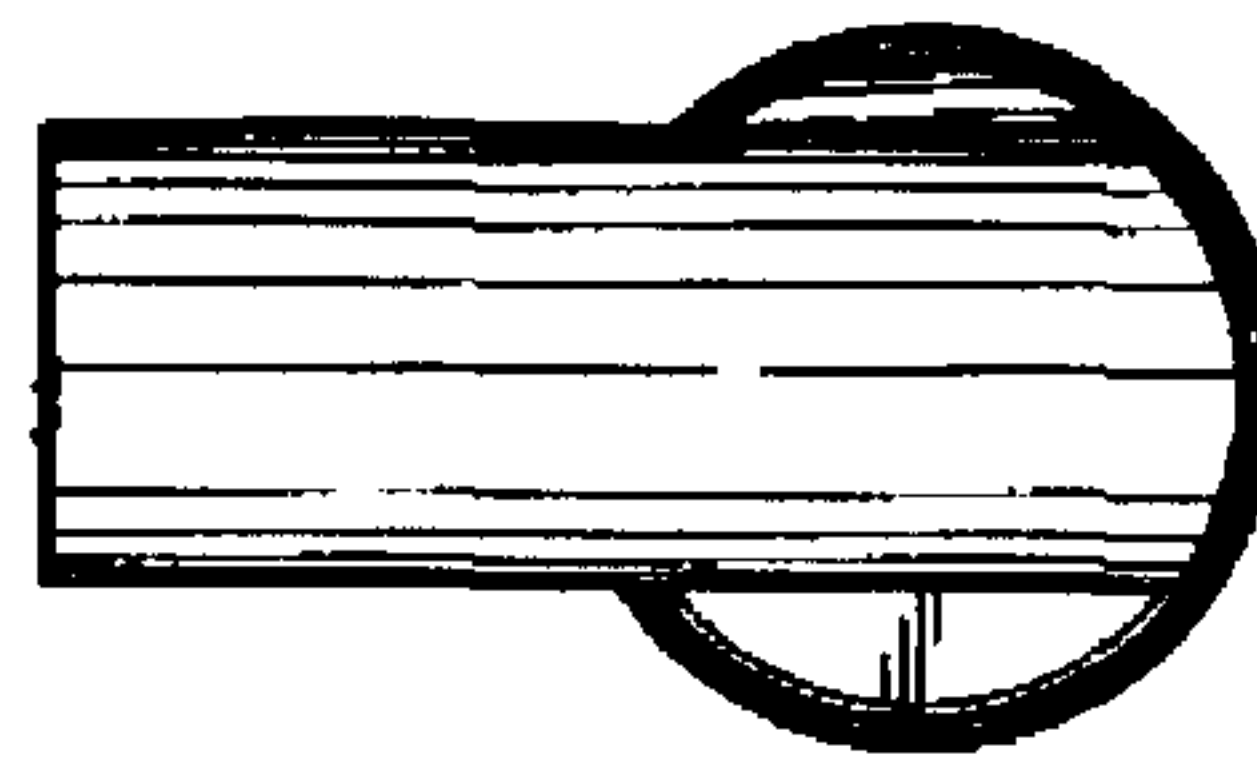


FIG. 4

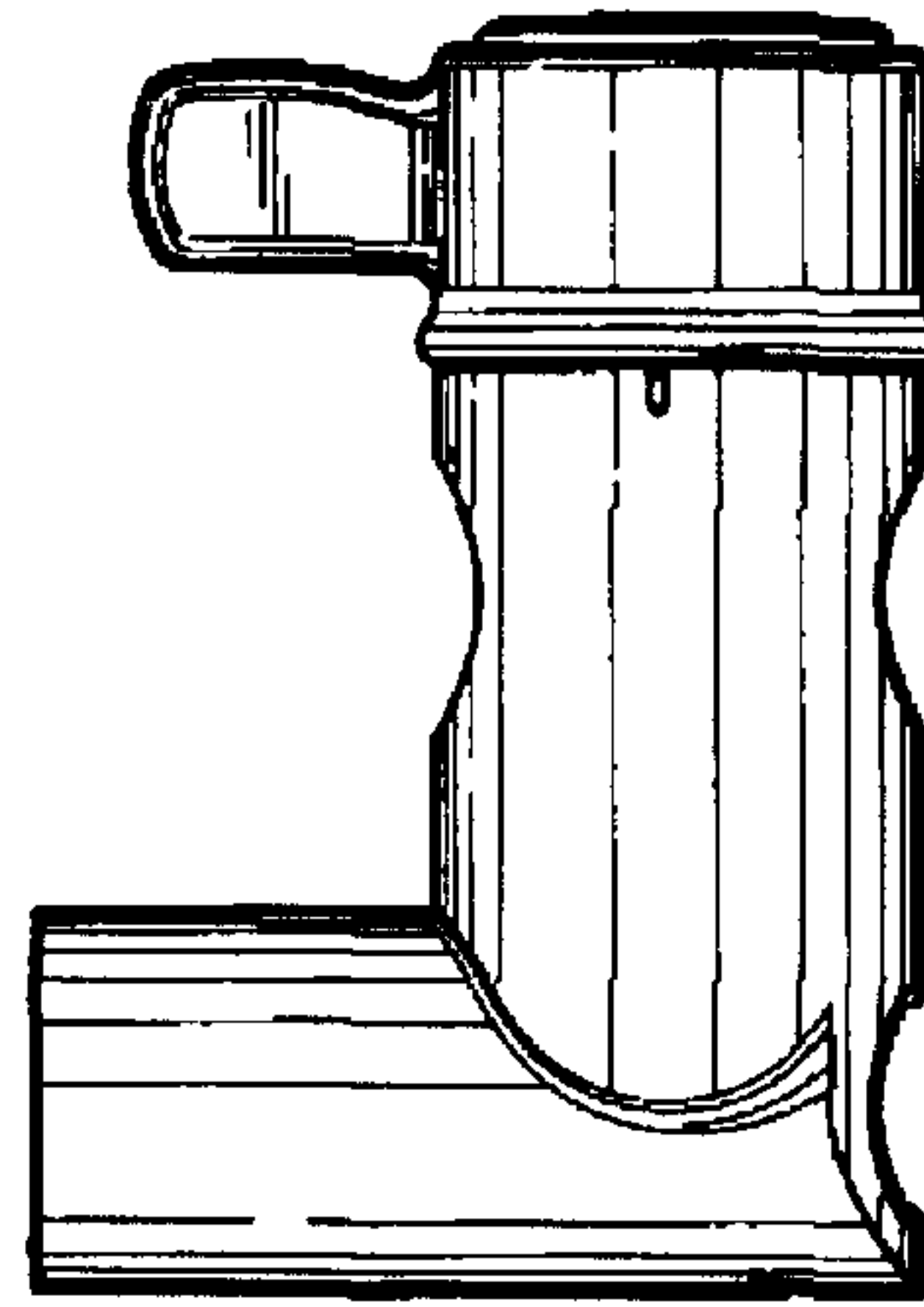


FIG. 5

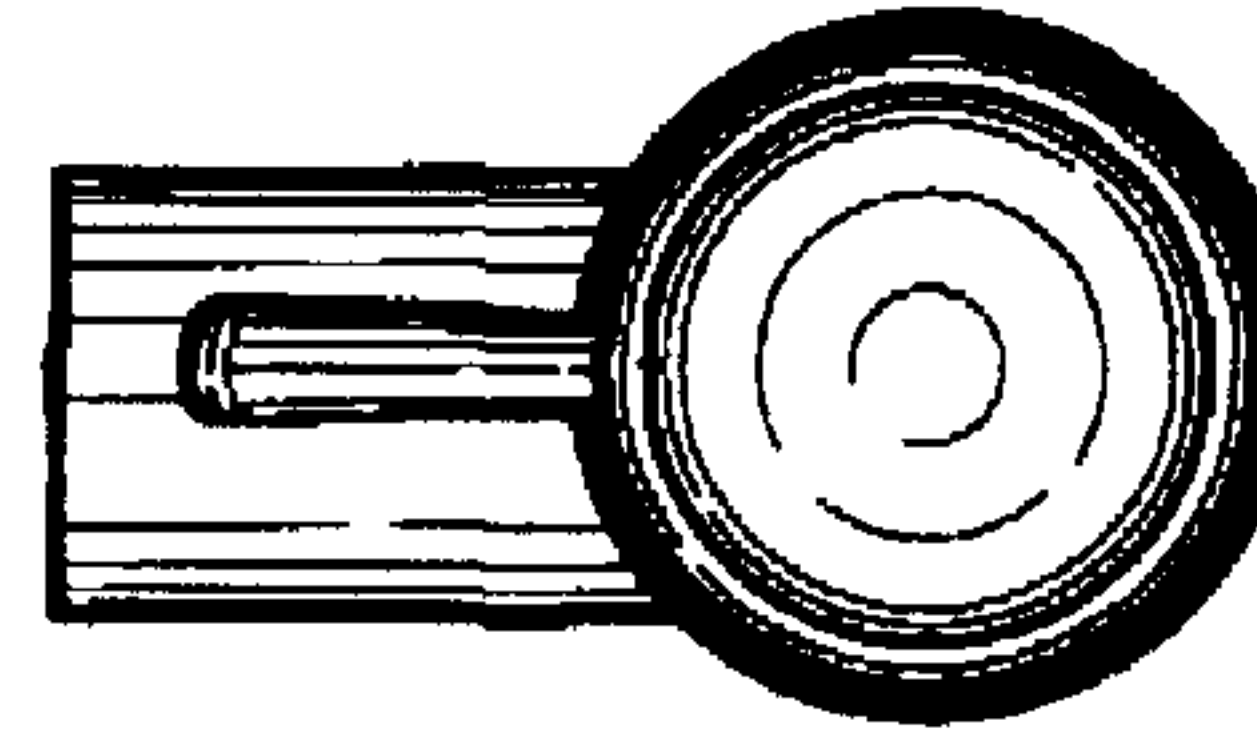


FIG. 6

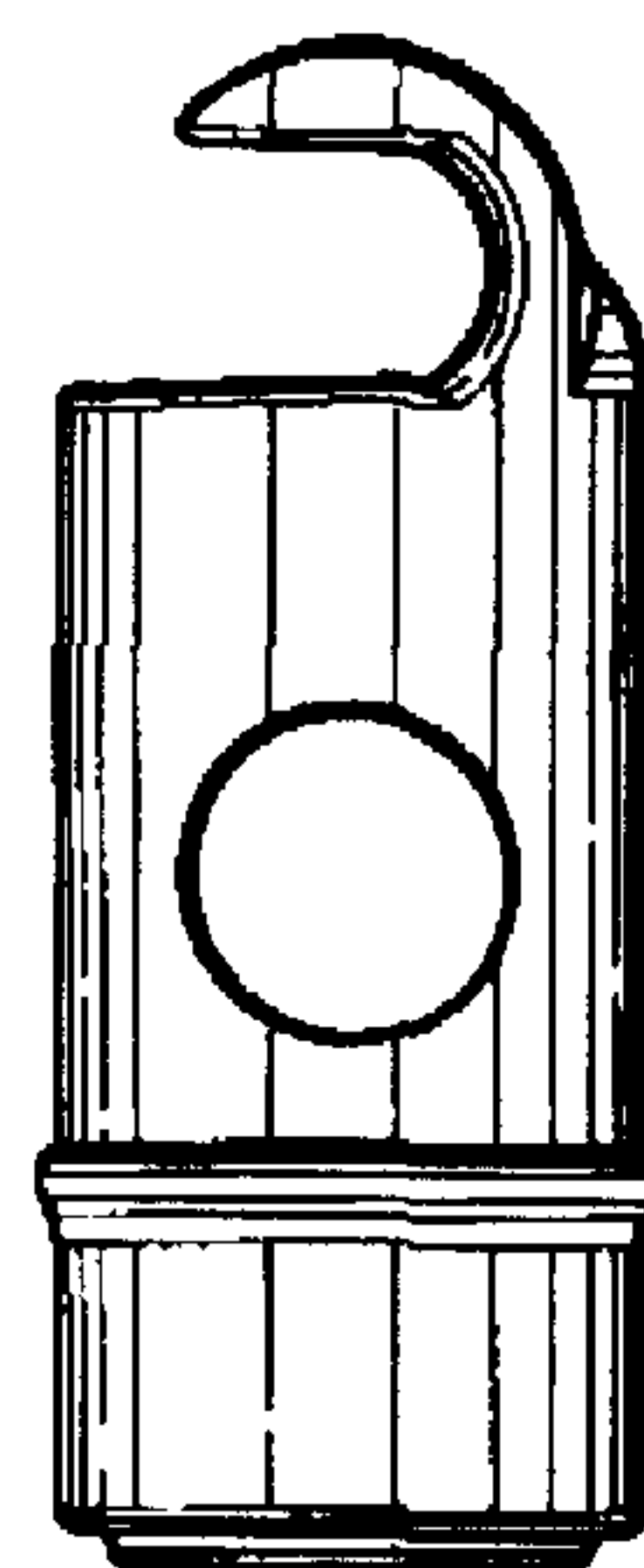


FIG. 7