

US00D542391S

(12) **United States Design Patent**
Gilbert

(10) **Patent No.:** **US D542,391 S**

(45) **Date of Patent:** **** May 8, 2007**

(54) **SLIDE BAR**

(75) Inventor: **Christopher Jon Gilbert**, Moreland Hills, OH (US)

(73) Assignee: **Moen Incorporated**, North Olmsted, OH (US)

(**) Term: **14 Years**

(21) Appl. No.: **29/235,549**

(22) Filed: **Aug. 3, 2005**

(51) **LOC (8) Cl.** **23-02**

(52) **U.S. Cl.** **D23/304**

(58) **Field of Classification Search** D23/223,
D23/228-229, 283, 303-304; 4/552, 567-569,
4/596-597, 605, 610, 615; D8/377
See application file for complete search history.

(56) **References Cited**

U.S. PATENT DOCUMENTS

D255,626 S	7/1980	Grube	
D266,212 S	9/1982	Haug	
D339,492 S	9/1993	Klose	
D340,376 S	10/1993	Klose	
D341,007 S	11/1993	Haug et al.	
D341,191 S	11/1993	Klose	
D387,230 S	12/1997	von Buelow et al.	
D403,754 S	* 1/1999	Gottwald D23/304

D419,227 S	*	1/2000	Ben-Tsur	D23/304
D433,589 S		11/2000	Haug et al.		
D442,680 S		5/2001	Chan		
D448,069 S		9/2001	Wales		
D454,620 S		3/2002	Starck		
D477,863 S		7/2003	Singtoroj		
D493,864 S		8/2004	Haug et al.		

* cited by examiner

Primary Examiner—Robert A. Delehanty

(74) *Attorney, Agent, or Firm*—Calfee, Halter & Griswold LLP

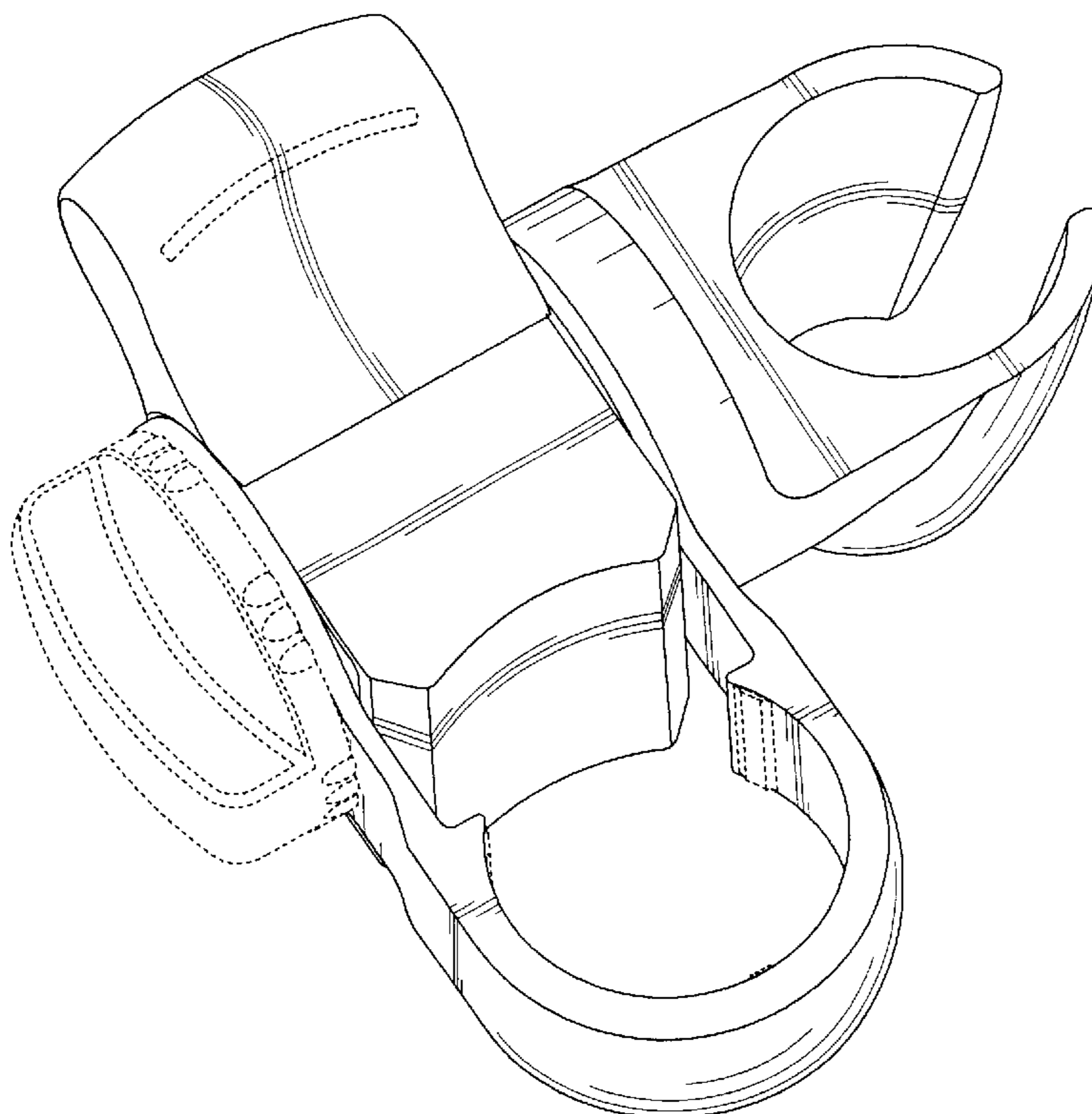
(57) **CLAIM**

The ornamental design for a slide bar, as shown and described.

DESCRIPTION

FIG. 1 is a perspective view of a slide bar of the new design; FIG. 2 is a front elevational view of the slide bar of FIG. 1; FIG. 3 is a rear elevational view of the slide bar of FIG. 1; FIG. 4 is a left side elevational view of the slide bar of FIG. 1; FIG. 5 is a right side elevational view of the slide bar of FIG. 1; FIG. 6 is a top plan view of the slide bar of FIG. 1; and, FIG. 7 is a bottom plan view of the slide bar of FIG. 1. The portions of the Figures shown in broken lines are not part of the claimed design but are for illustration only.

1 Claim, 4 Drawing Sheets



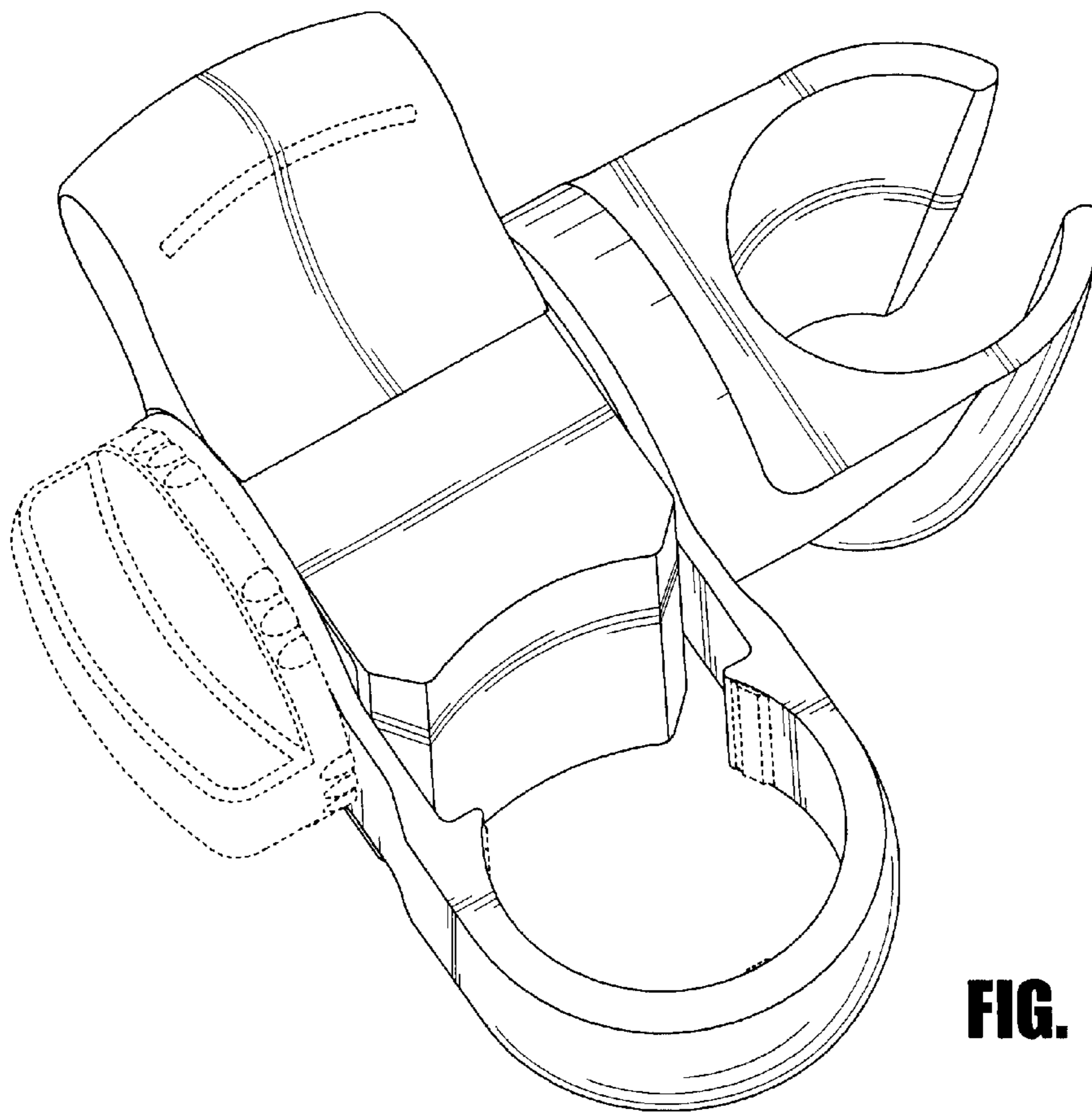


FIG. 1

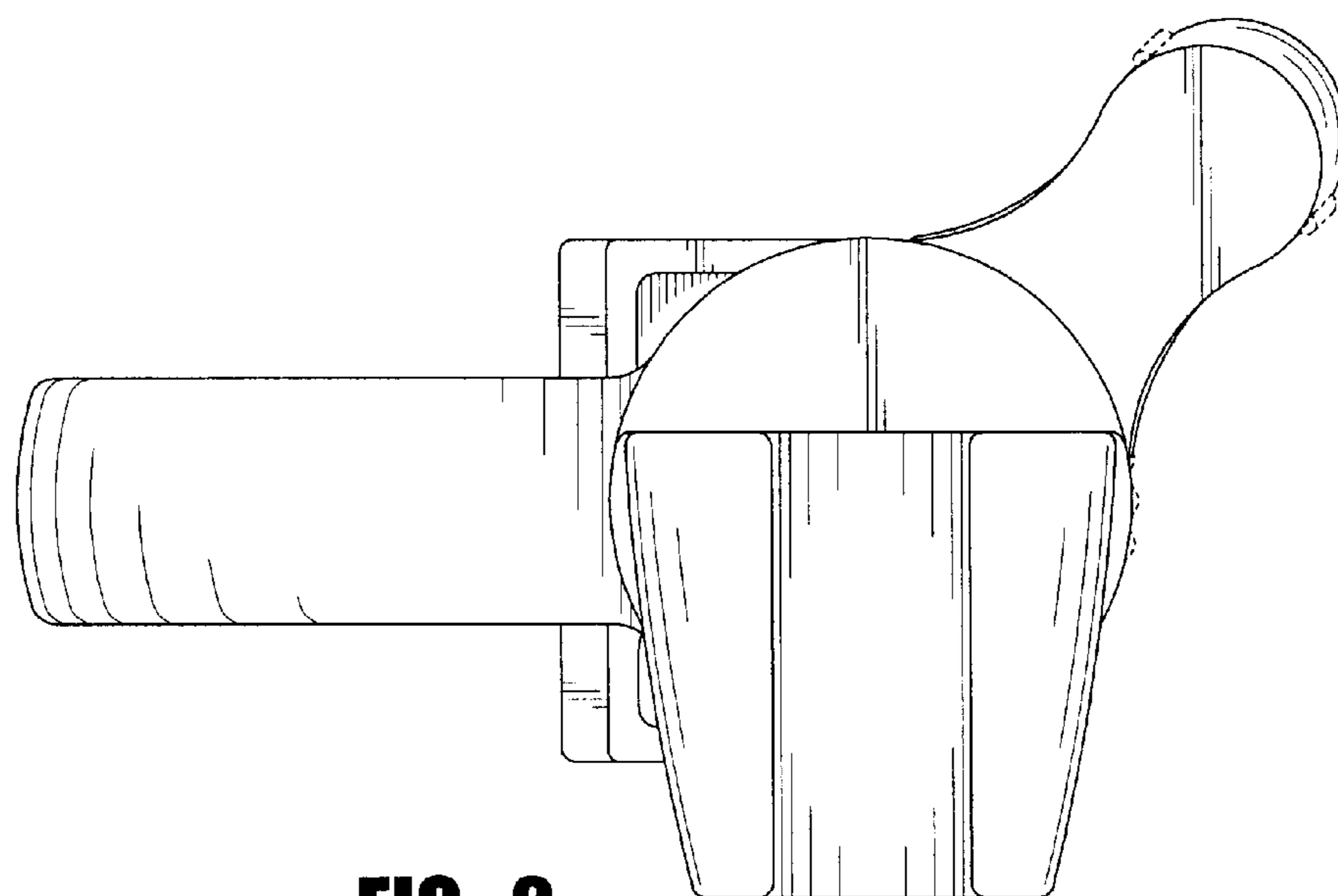


FIG. 2

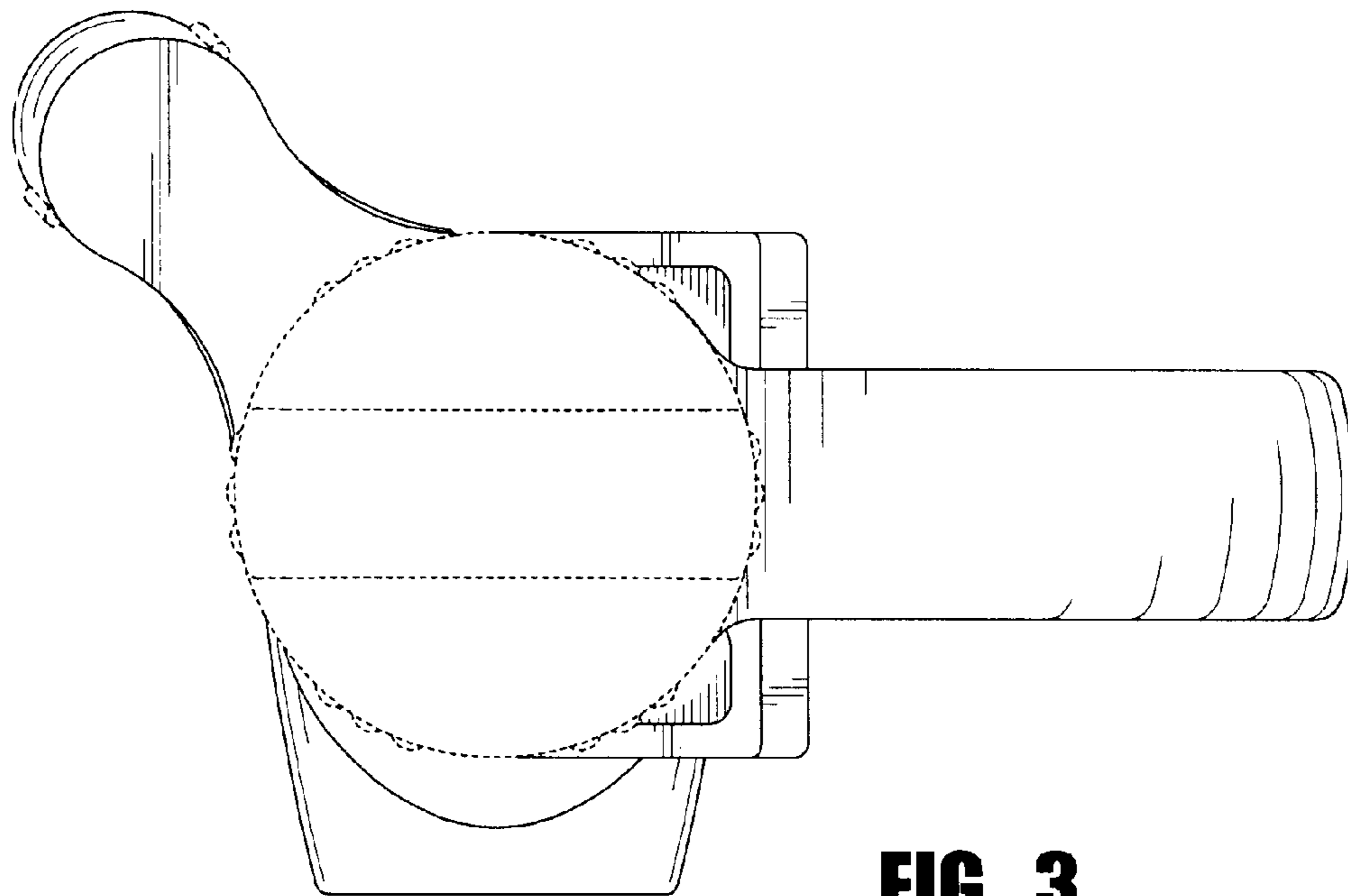


FIG. 3

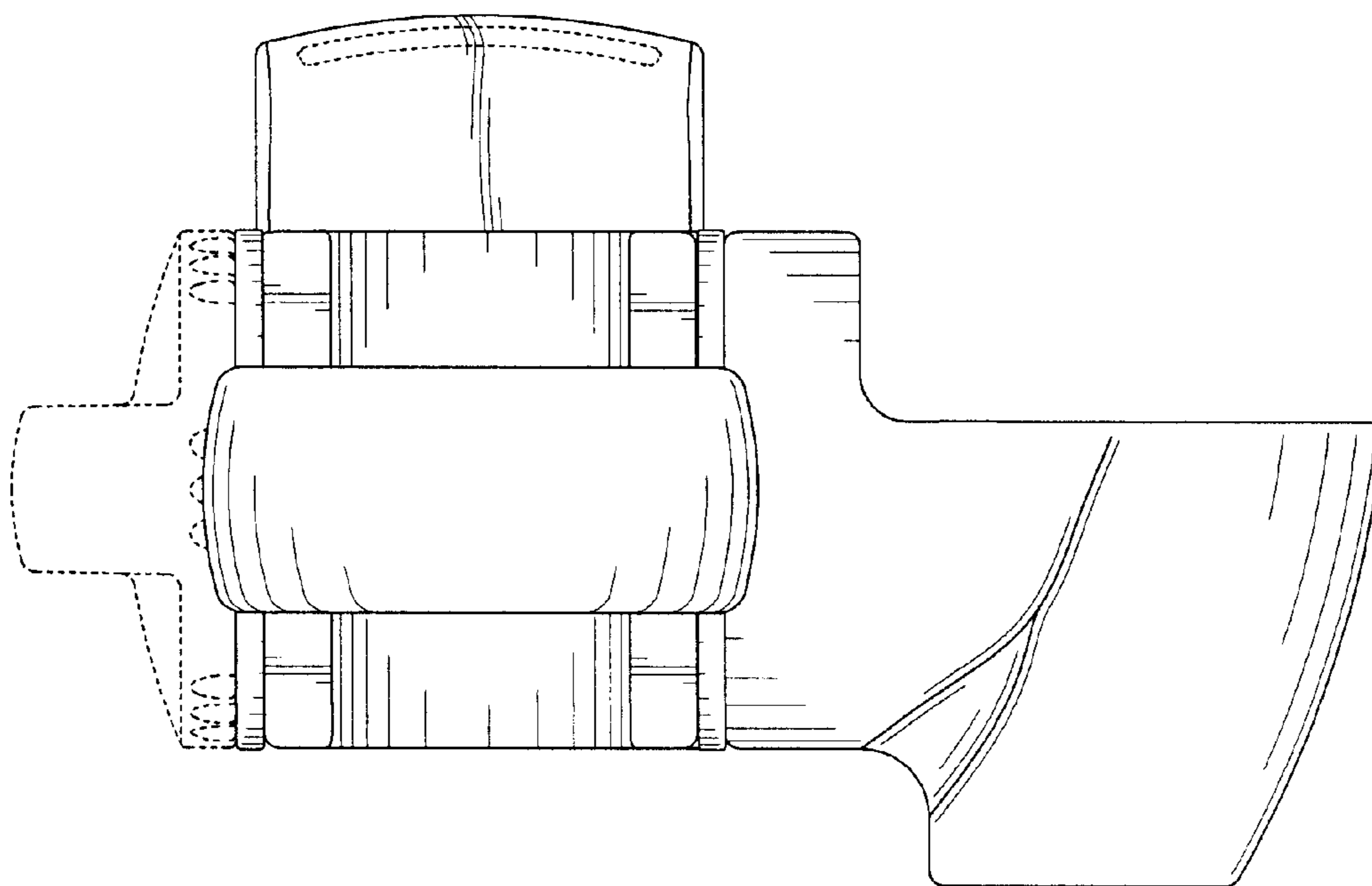


FIG. 4

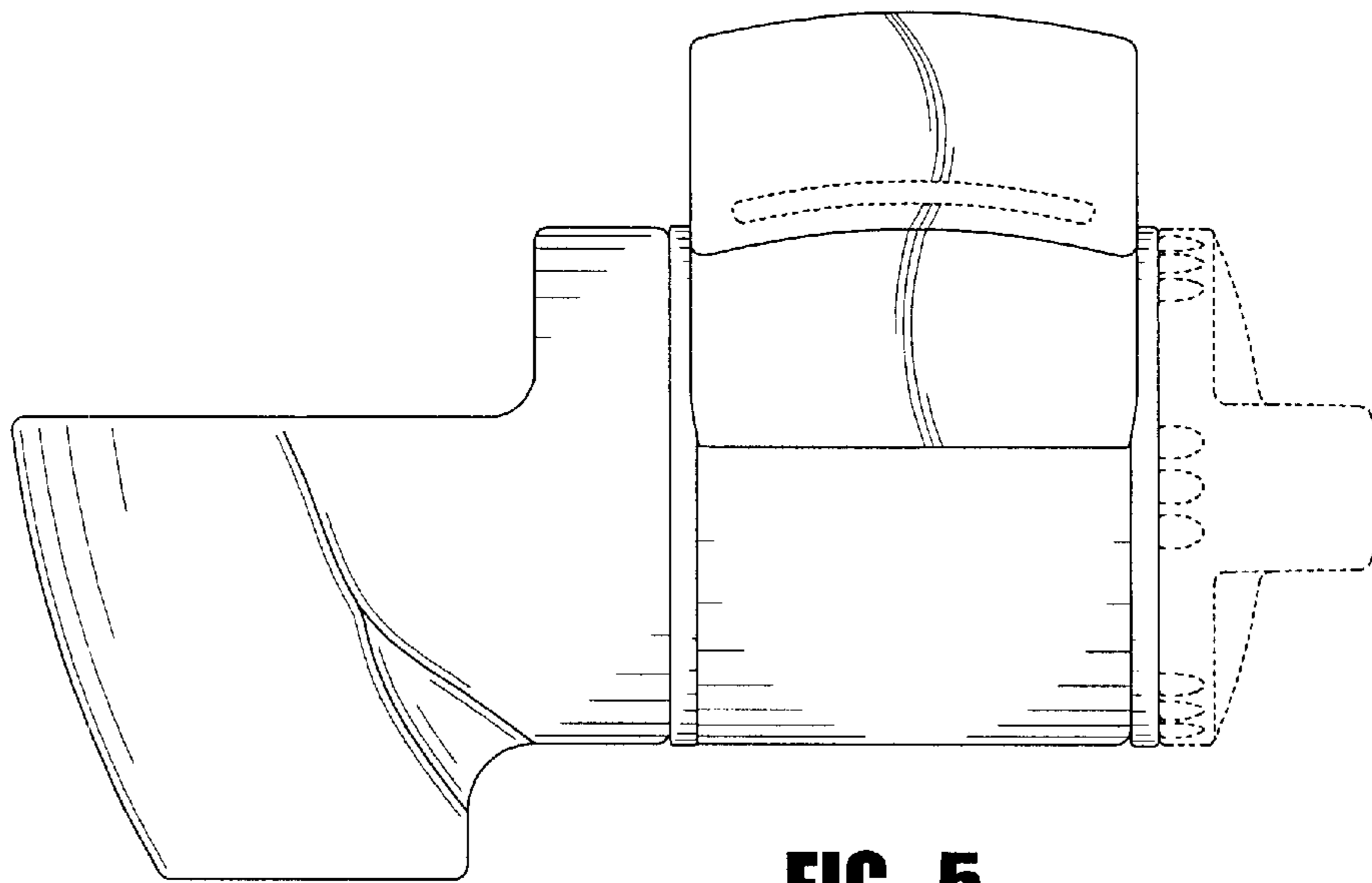


FIG. 5

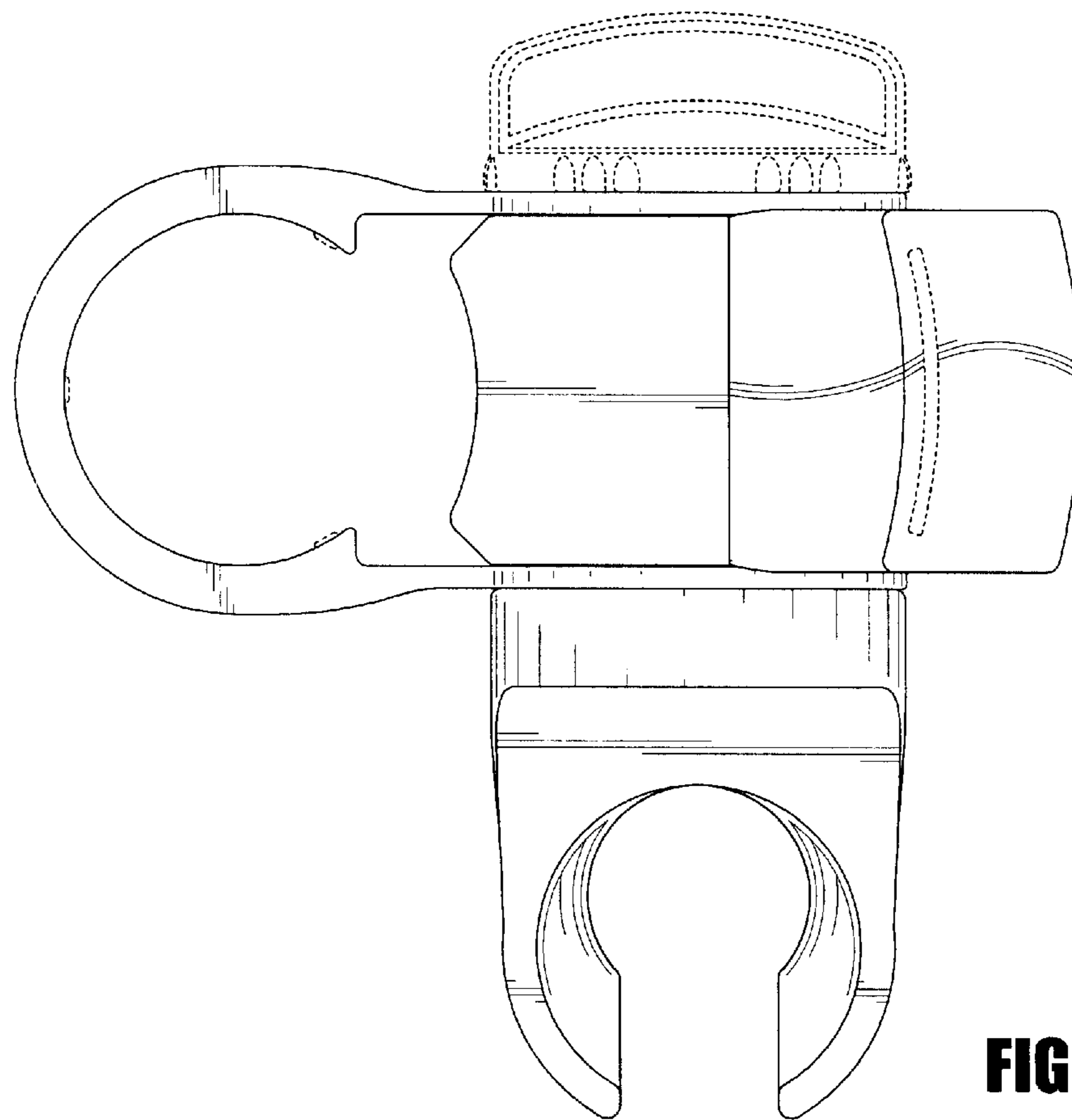


FIG. 6

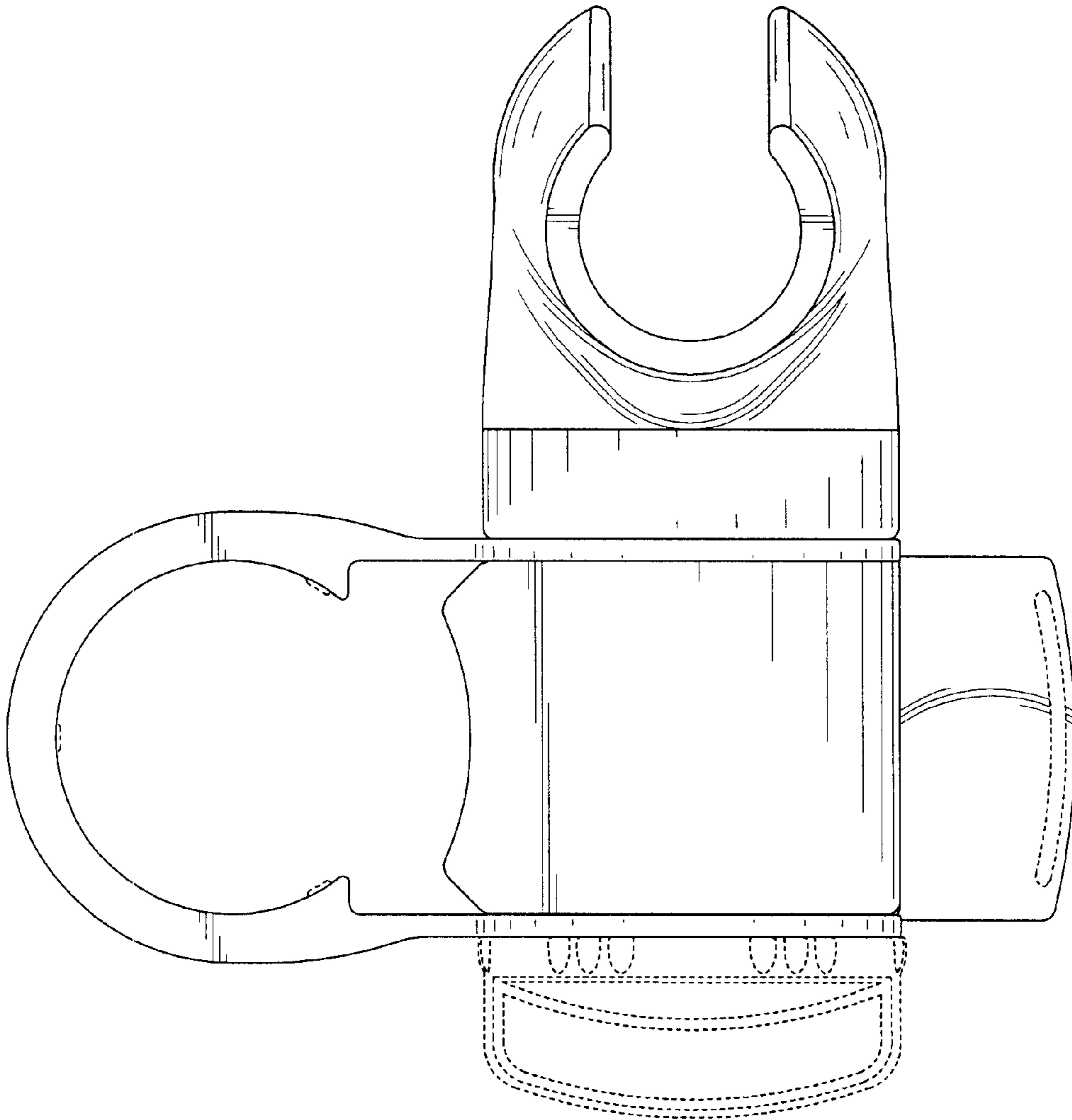


FIG. 7