



US00D542390S

(12) **United States Design Patent** (10) **Patent No.:** **US D542,390 S**
Bates (45) **Date of Patent:** **** May 8, 2007**

(54) **WATER CLOSET**

(75) Inventor: **Michael R. Bates**, Sheboygan, WI (US)

(73) Assignee: **Kohler Co.**, Kohler, WI (US)

(**) Term: **14 Years**

(21) Appl. No.: **29/242,184**

(22) Filed: **Nov. 7, 2005**

(51) **LOC (8) Cl.** **23-02**

(52) **U.S. Cl.** **D23/295**

(58) **Field of Classification Search** D23/273-274,
D23/295-301, 303, 309, 313; 4/663-665,
4/300-300.3, 312-313, 328-329, 353, 420,
4/443-446, 449, 459-460, 479-480, 902,
4/905, DIG. 11, DIG. 12, DIG. 15

See application file for complete search history.

(56) **References Cited**

U.S. PATENT DOCUMENTS

D80,721 S	3/1930	Crane, II	
D424,181 S	*	5/2000 Caplow	D23/301
D472,619 S	*	4/2003 Kawamura et al.	D23/301
D523,126 S	*	6/2006 Bates	D23/295

OTHER PUBLICATIONS

Kallista 2001 Catalog: Model No. P70021 "Stafford Two-Piece Toilet," p. 4.15.

Kallista 2001 Catalog: Model No. P70051 "Hampstead Two-Piece Toilet," p. 4.11.

Kohler Jun. 1994 Catalog: Model No. K-3490 "Portrait Lite Toilet," p. 14-9.

Kohler Co., 2004 K-700 Design Manual, Model No. K-3429-96 "Memoirs Two-Piece Toiler," p. 12-16.

American Standard company website, "Townsend Champion Round Front Right Height Toilet," no date specified.

* cited by examiner

Primary Examiner—Robert A. Delehanty

(74) *Attorney, Agent, or Firm*—Quarles & Brady LLP

(57) **CLAIM**

The ornamental design for a water closet, as shown and described.

DESCRIPTION

In a preferred embodiment, the nature of this product is as a plumbing fixture in the form of a water closet, a tank for a water closet, a cover for a water closet tank and a base for a water closet.

FIG. 1 is a right, top, front perspective view of a water closet base embodying my new design;

FIG. 2 is a top plan view thereof;

FIG. 3 is a front elevational view thereof;

FIG. 4 is a left side elevational view thereof;

FIG. 5 is a right side elevational view thereof;

FIG. 6 is a rear elevational view thereof; and,

FIG. 7 is a bottom plan view thereof.

The broken line representations of a bowl opening in FIGS. 2 holes in FIGS. 1-2, base structure in FIGS. 1, 3-4, and 7, underside features in FIG. 7, are for the purpose of illustration only, and form no part of the claimed design.

1 Claim, 3 Drawing Sheets

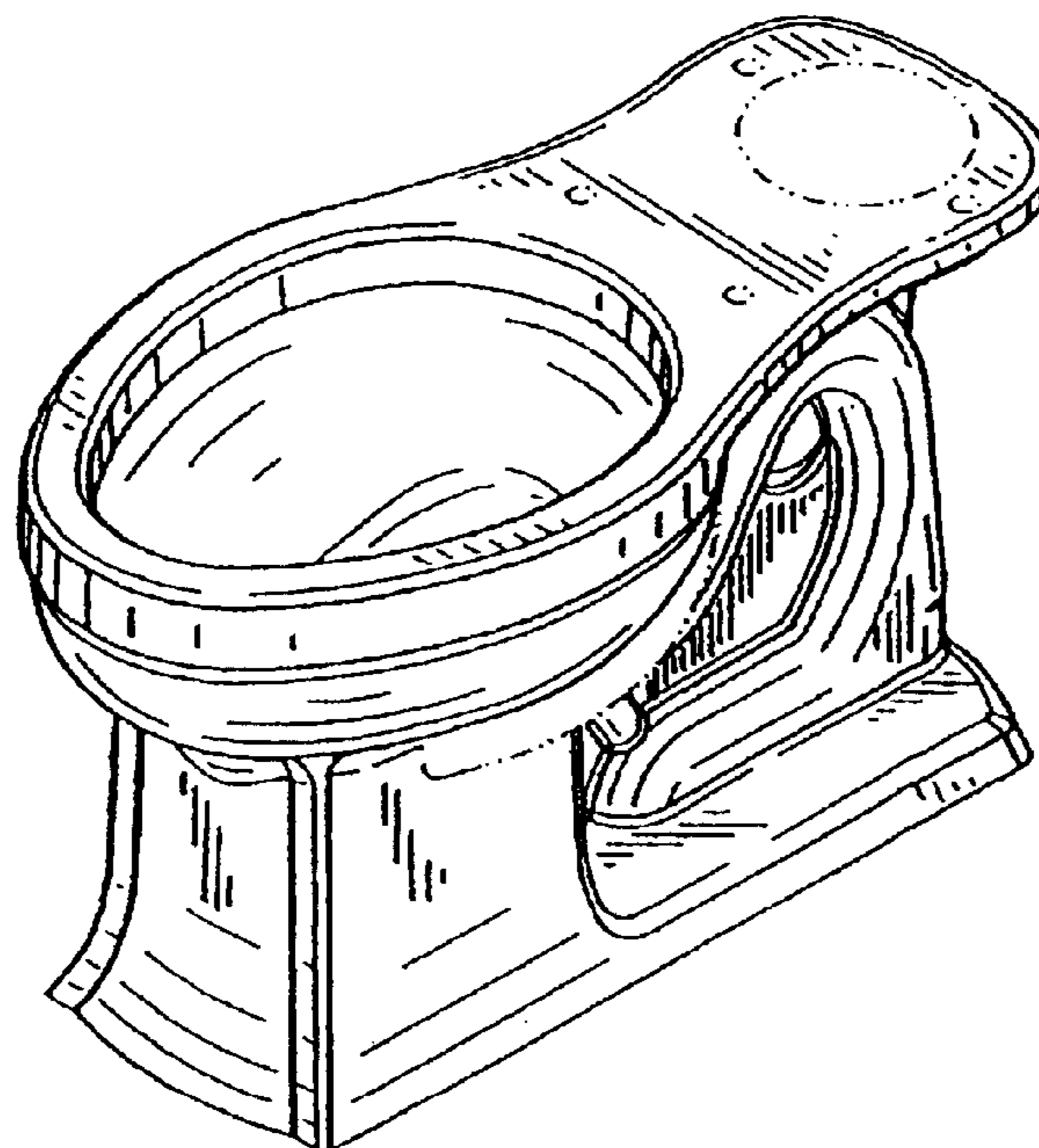


FIG. 1

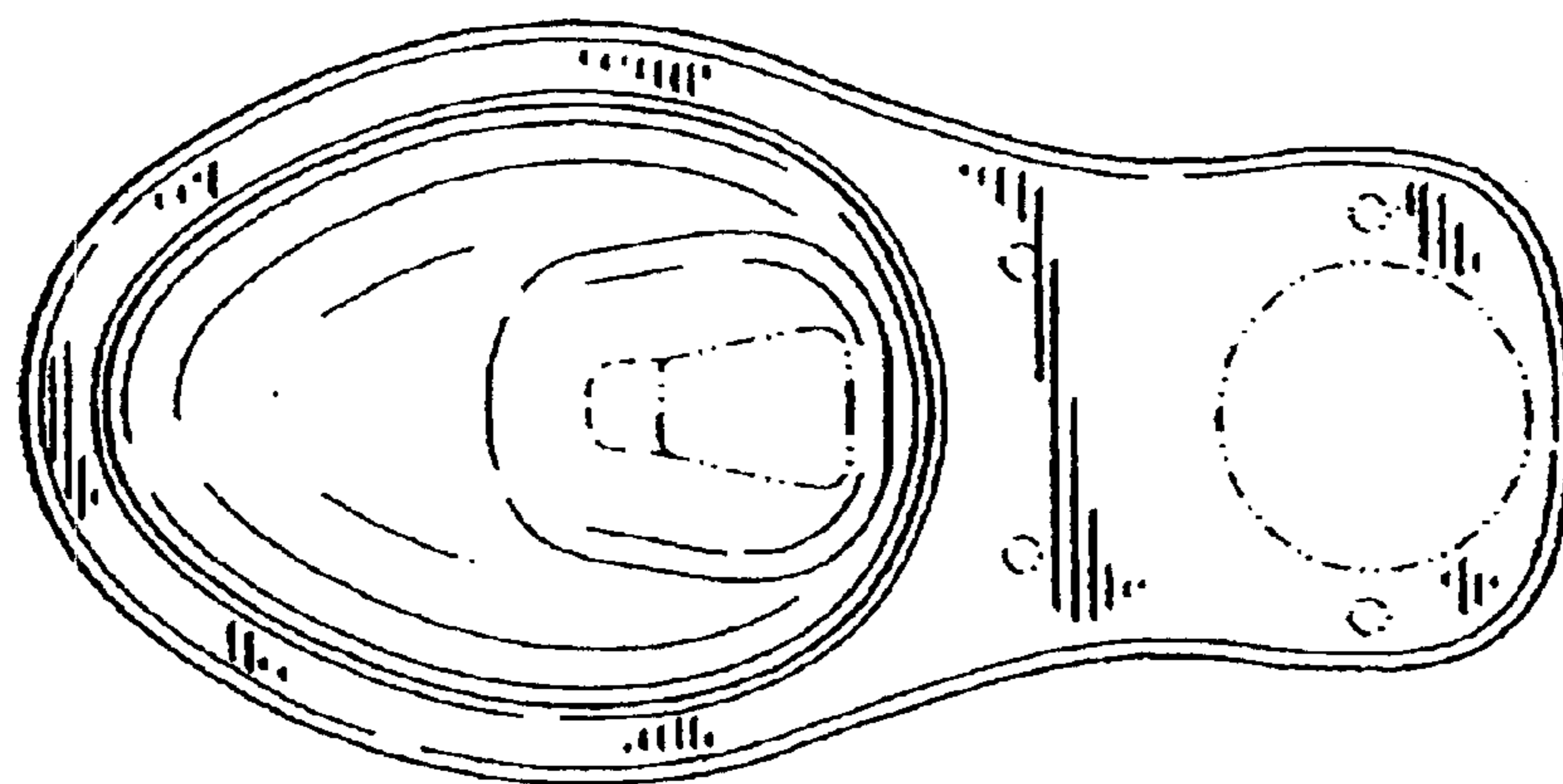
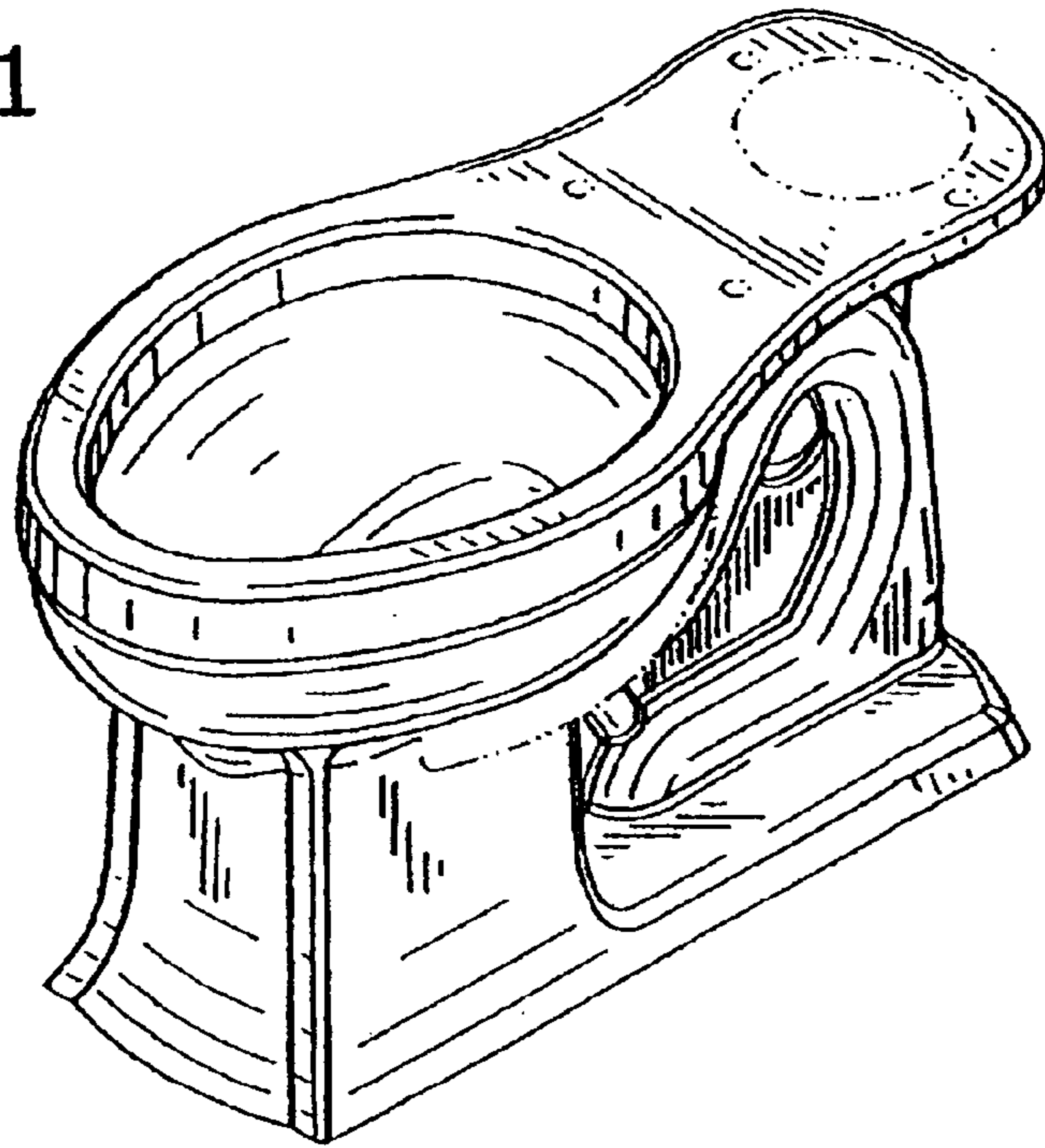


FIG. 2

FIG. 3

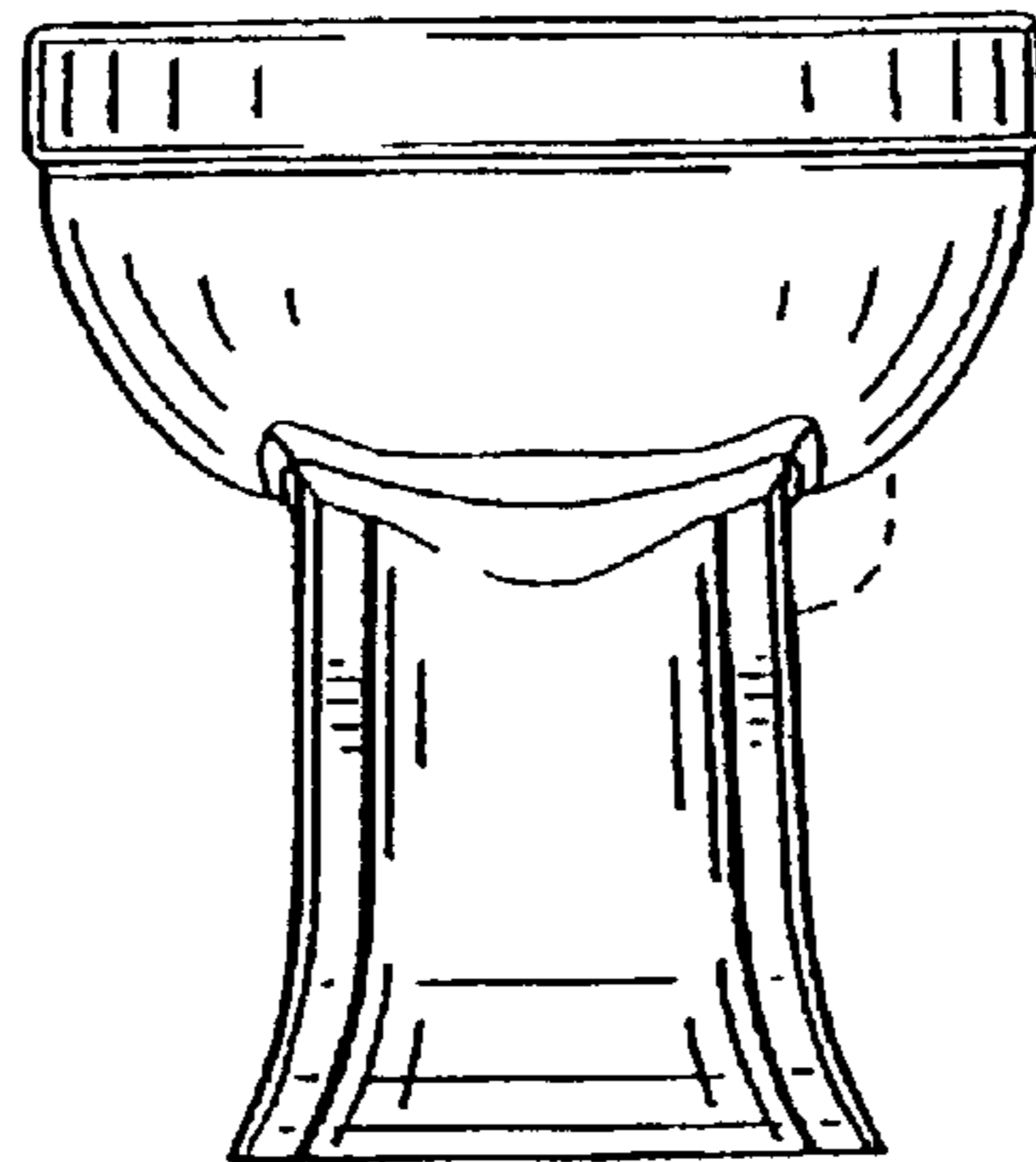


FIG. 4

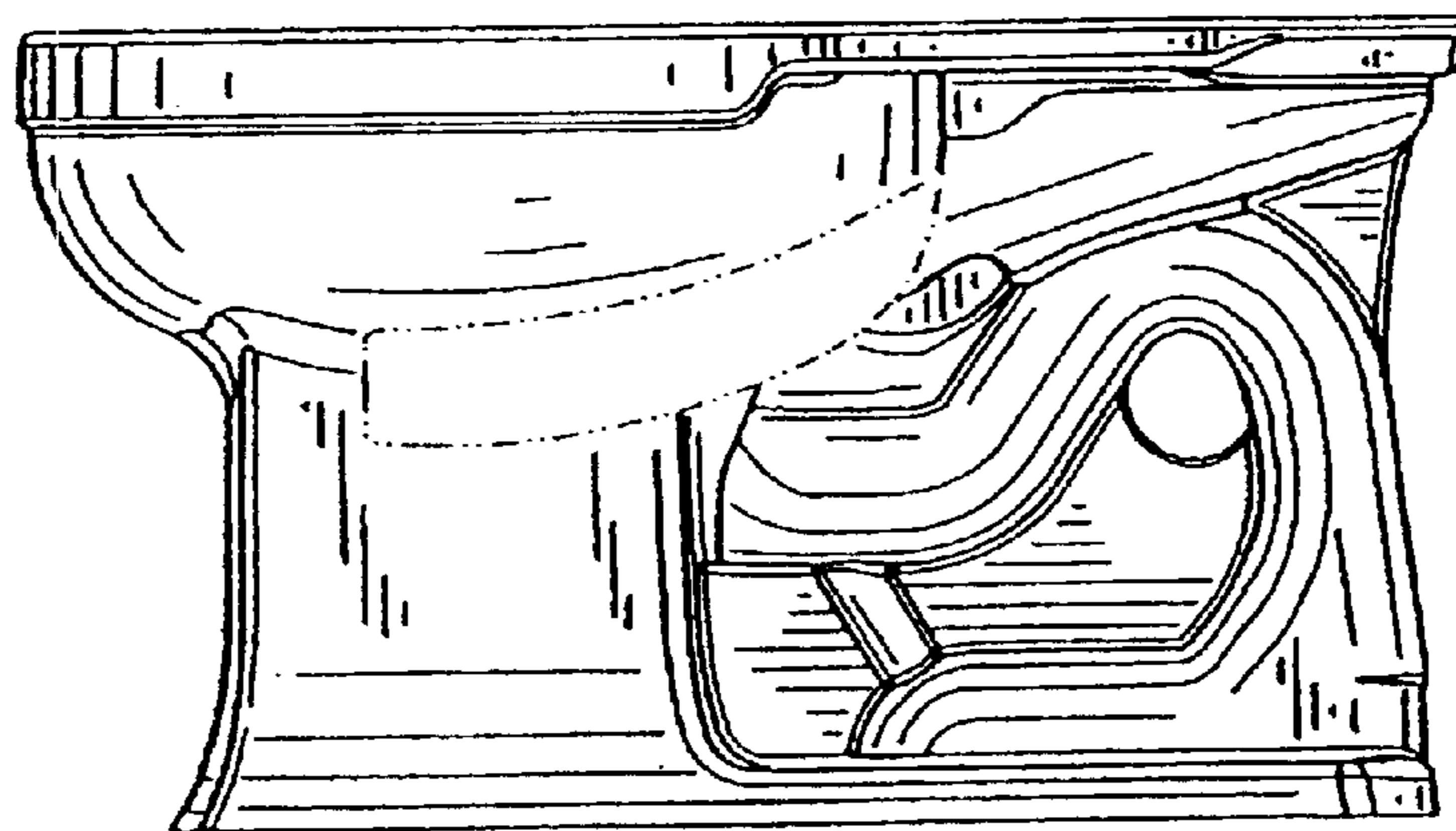


FIG. 5

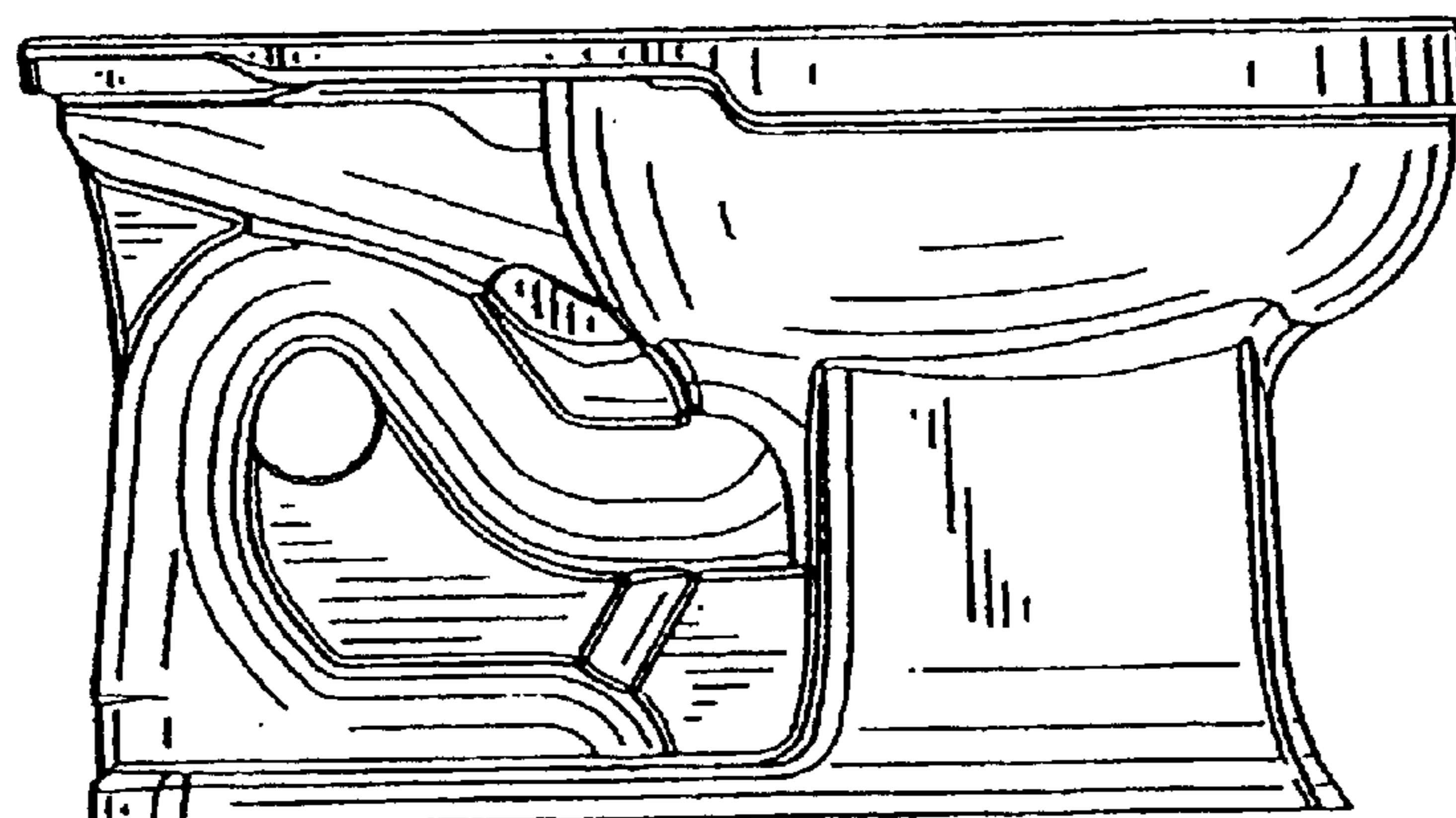


FIG. 6

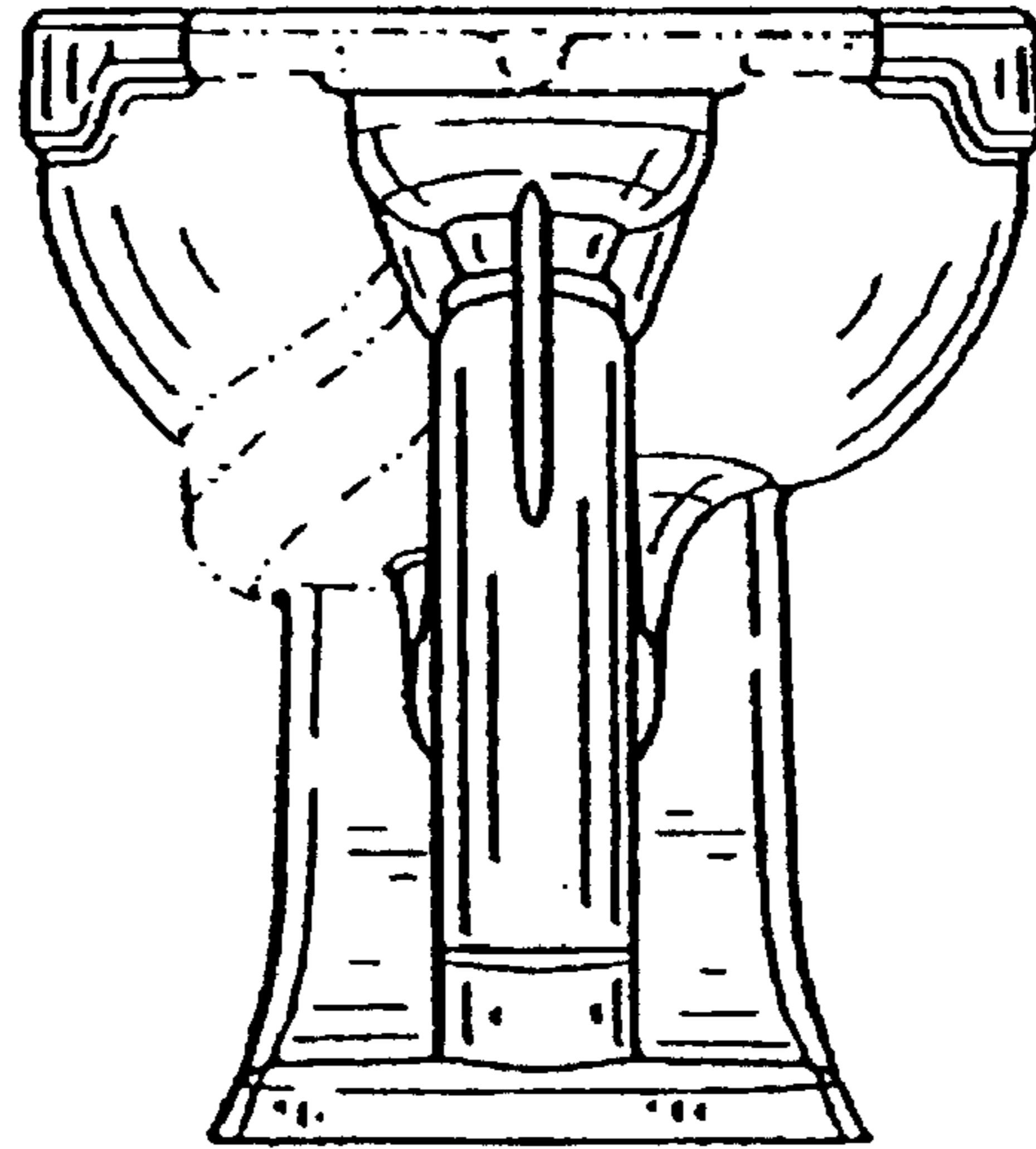


FIG. 7

