



US00D542388S

(12) **United States Design Patent**
Miyamoto

(10) **Patent No.:** **US D542,388 S**

(45) **Date of Patent:** **** May 8, 2007**

(54) **PEDESTAL SINK**

D501,246 S * 1/2005 Reid et al. D23/293.1

(75) Inventor: **Takeaki Miyamoto**, Kitakyushu (JP)

* cited by examiner

(73) Assignee: **Toto Ltd.**, Kitakyushu, Fukuoka-Pref (JP)

Primary Examiner—Robert A. Delehanty
(74) *Attorney, Agent, or Firm*—Birch, Stewart, Kolasch & Birch, LLP

(**) Term: **14 Years**

(57) **CLAIM**

(21) Appl. No.: **29/251,174**

The ornamental design for a pedestal sink, as shown and described.

(22) Filed: **Jan. 5, 2006**

(51) **LOC (8) Cl.** **23-02**

(52) **U.S. Cl.** **D23/292**

(58) **Field of Classification Search** D23/201,
D23/284, 292, 293.1, 303, 308; 4/619, 624,
4/643, 646, 661

See application file for complete search history.

DESCRIPTION

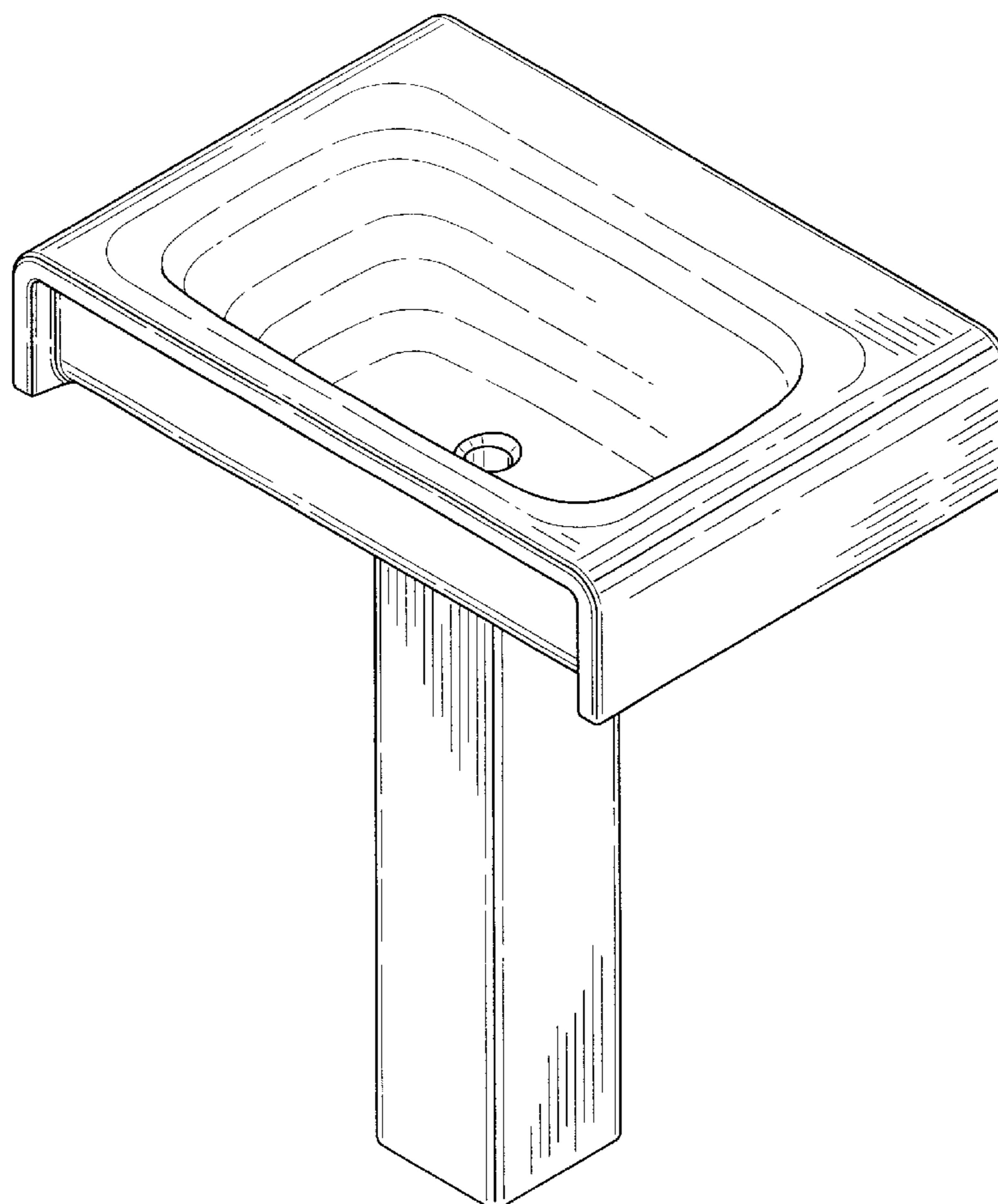
FIG. 1 is a perspective view of the top, front and right side of a pedestal sink showing my new design;
FIG. 2 is a top plan view thereof;
FIG. 3 is a front view thereof;
FIG. 4 is a left side view thereof;
FIG. 5 is a right side view thereof; and,
FIG. 6 is a rear view thereof.

(56) **References Cited**

U.S. PATENT DOCUMENTS

D472,616 S * 4/2003 Newson D23/292

1 Claim, 4 Drawing Sheets



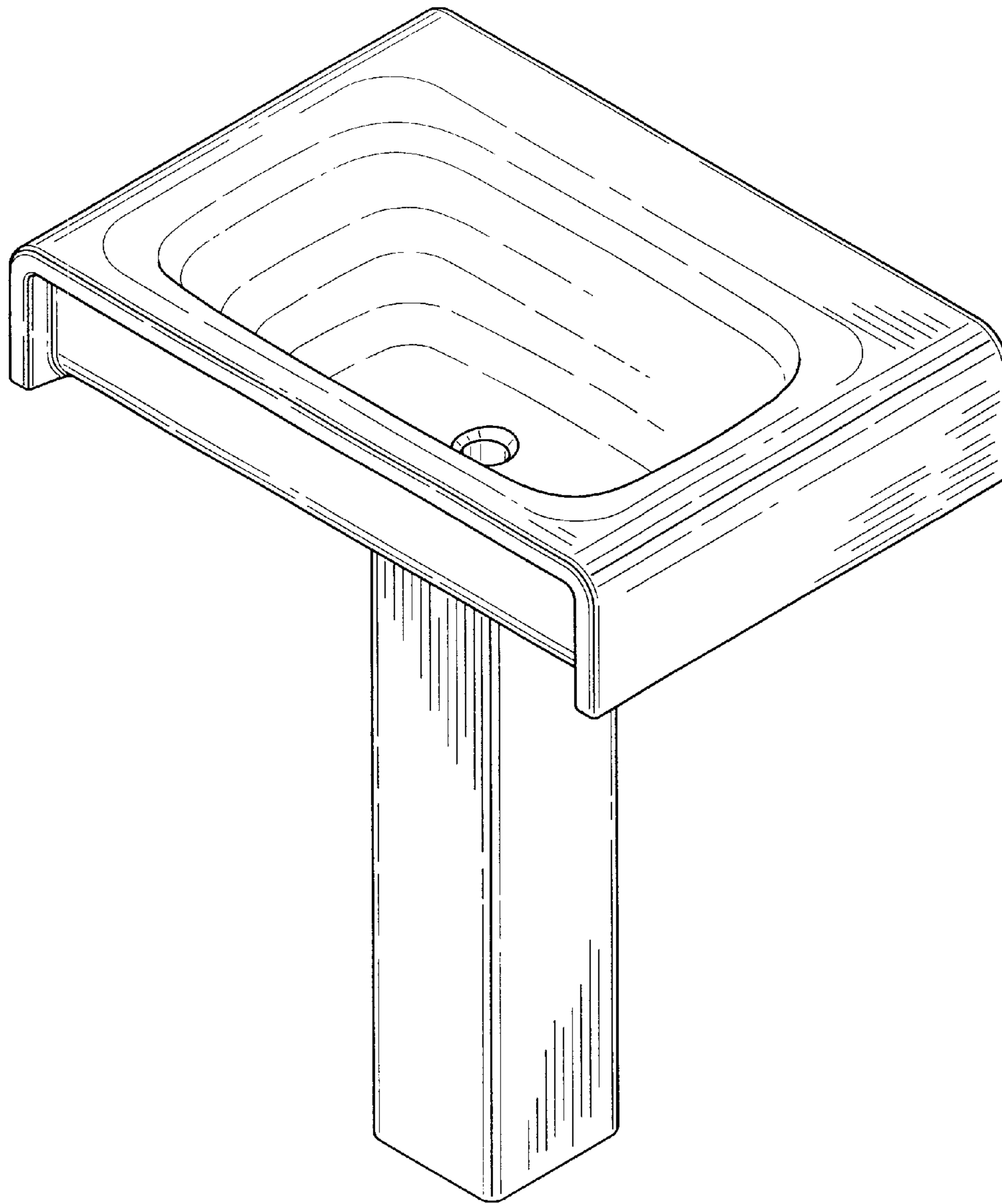


FIG. 1

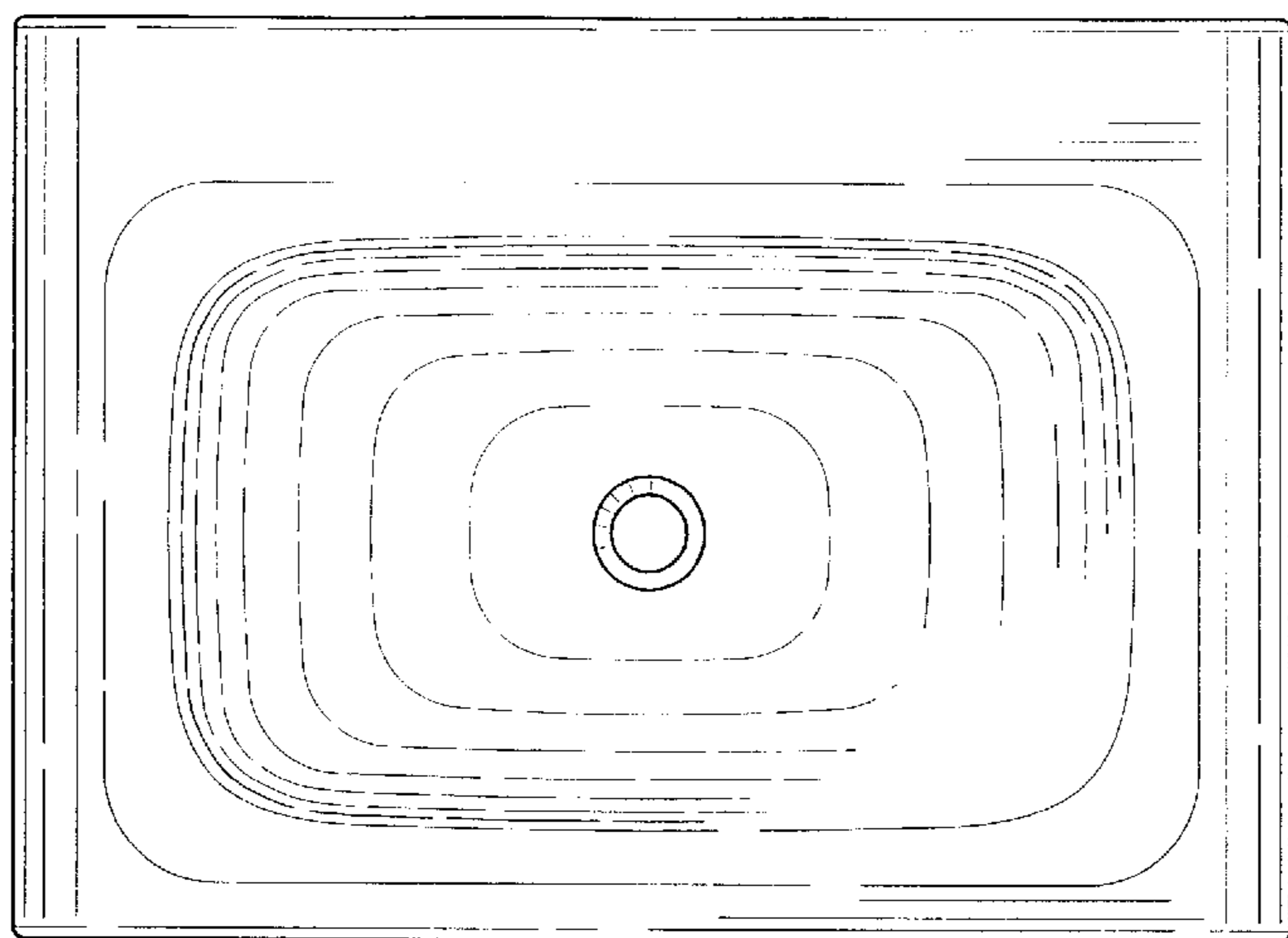


FIG. 2

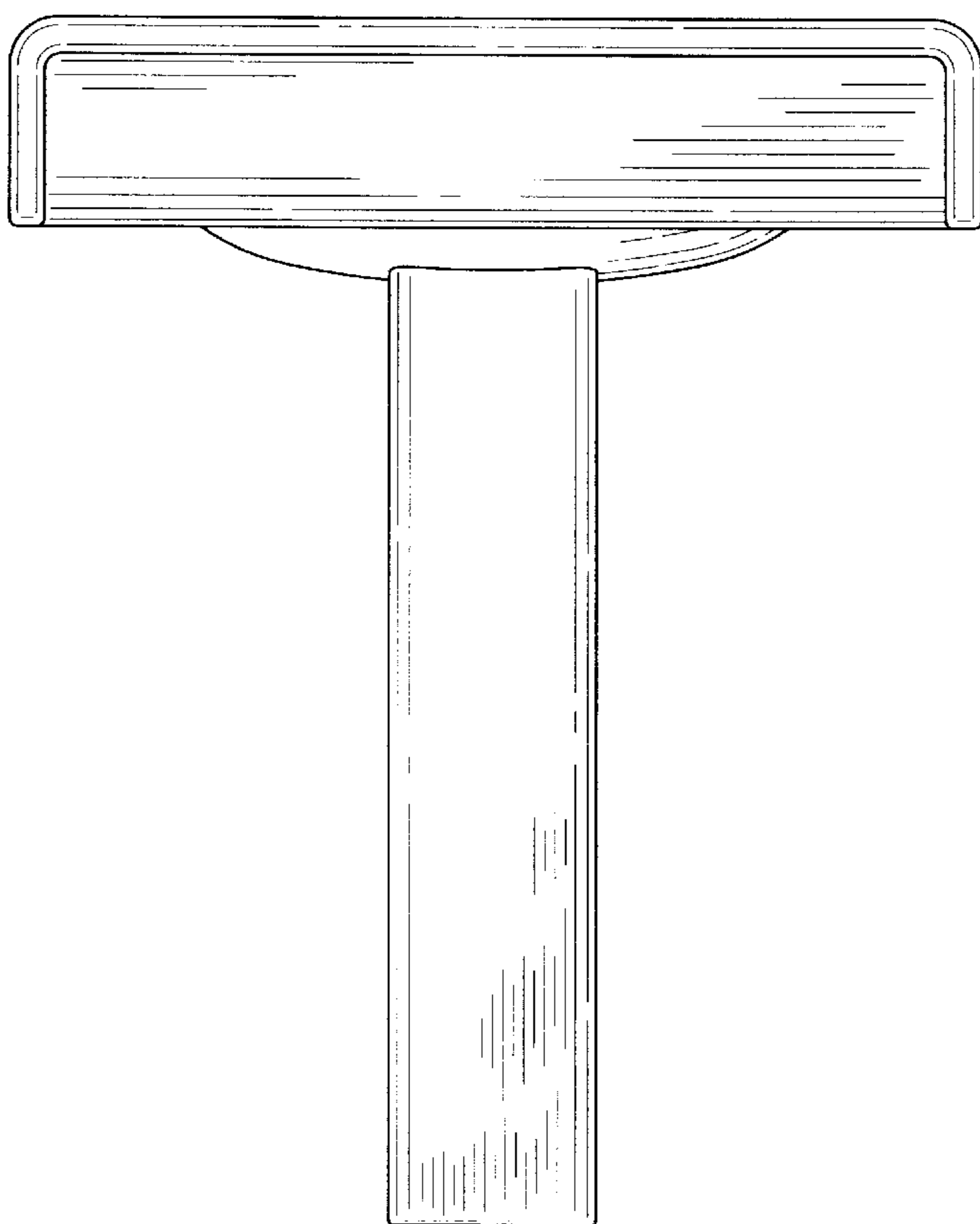


FIG. 3

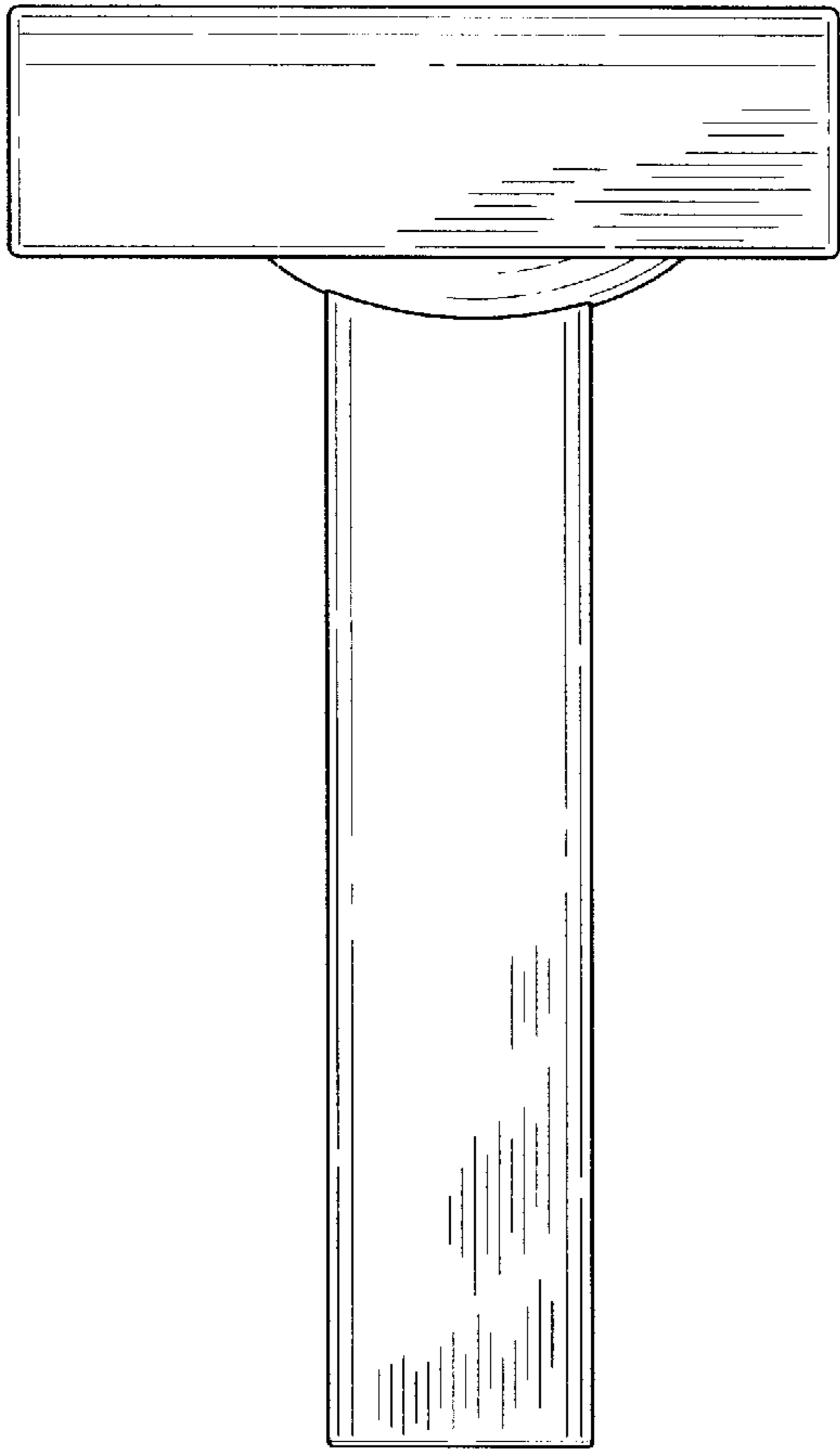


FIG. 4

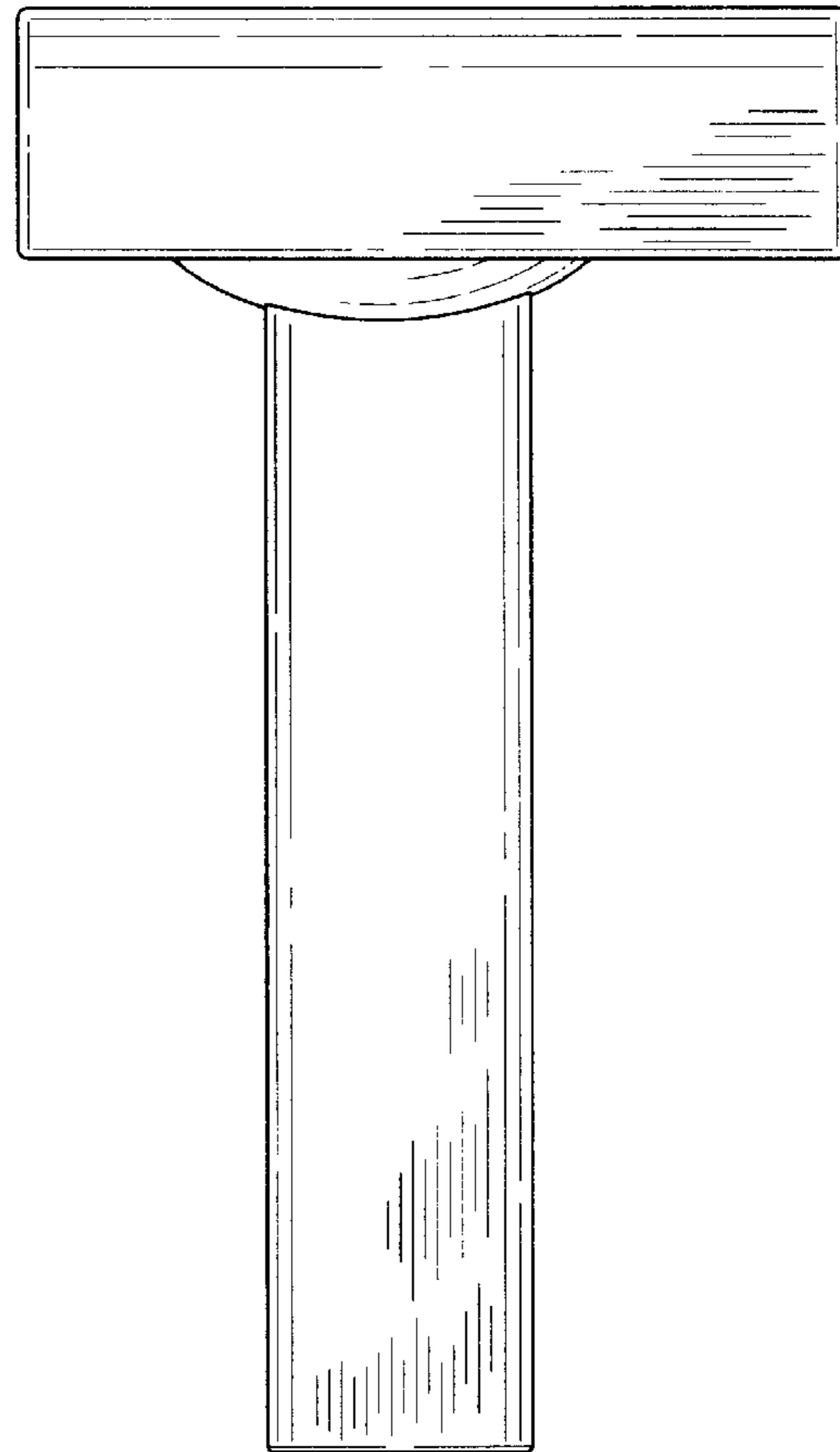


FIG. 5

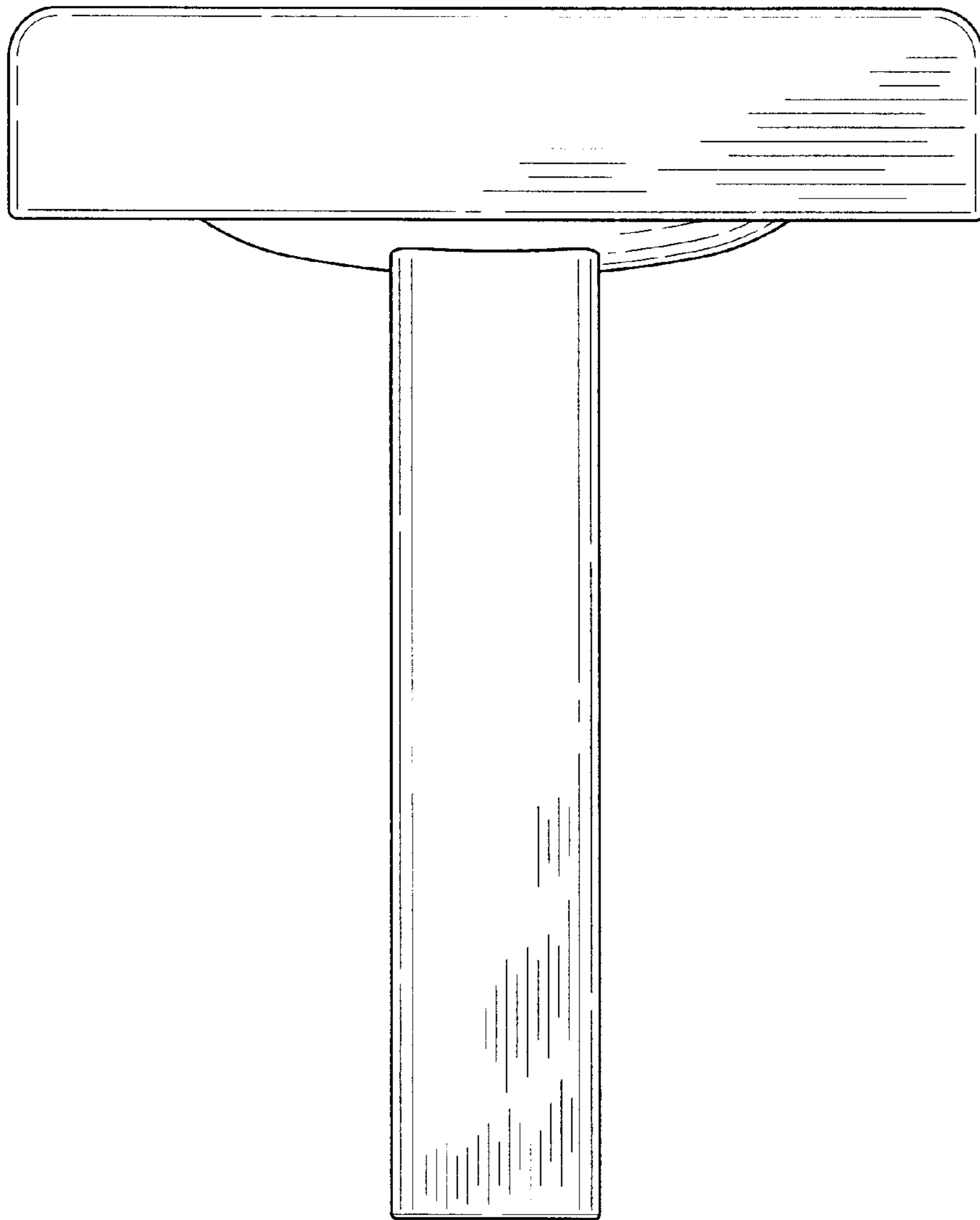


FIG. 6