

US00D542385S

(12) **United States Design Patent**
Haug et al.

(10) **Patent No.:** **US D542,385 S**

(45) **Date of Patent:** **** May 8, 2007**

(54) **SHOWER CONTROL**

(75) Inventors: **Andreas Haug**, Stuttgart (DE); **Tom Schönherr**, Stuttgart (DE); **Andreas Dimitriadis**, Lorch (DE); **Peter Kolin**, Schwäbisch Gmünd (DE)

(73) Assignee: **Hansgrohe AG** (DE)

(**) Term: **14 Years**

(21) Appl. No.: **29/247,328**

(22) Filed: **Jun. 12, 2006**

(30) **Foreign Application Priority Data**

Dec. 15, 2005 (EM) 000449178-0020

(51) **LOC (8) Cl.** **23-02**

(52) **U.S. Cl.** **D23/254**

(58) **Field of Classification Search** D23/238,
D23/241, 245, 254, 250, 252, 283, 303-304;
4/552, 596, 615

See application file for complete search history.

(56) **References Cited**

U.S. PATENT DOCUMENTS

D363,765 S * 10/1995 Starck D23/254

D459,445 S * 6/2002 Mullenmeister D23/254
D493,868 S * 8/2004 Haug et al. D23/254
D531,703 S * 11/2006 Tsai D23/254

* cited by examiner

Primary Examiner—Robert A. Delehanty

(74) *Attorney, Agent, or Firm*—Kwadjo Adusei-Poku;
Lloyd D. Doigan

(57) **CLAIM**

The ornamental design for a shower control, as shown and described.

DESCRIPTION

FIG. 1 is a front perspective view of a shower control showing our design;

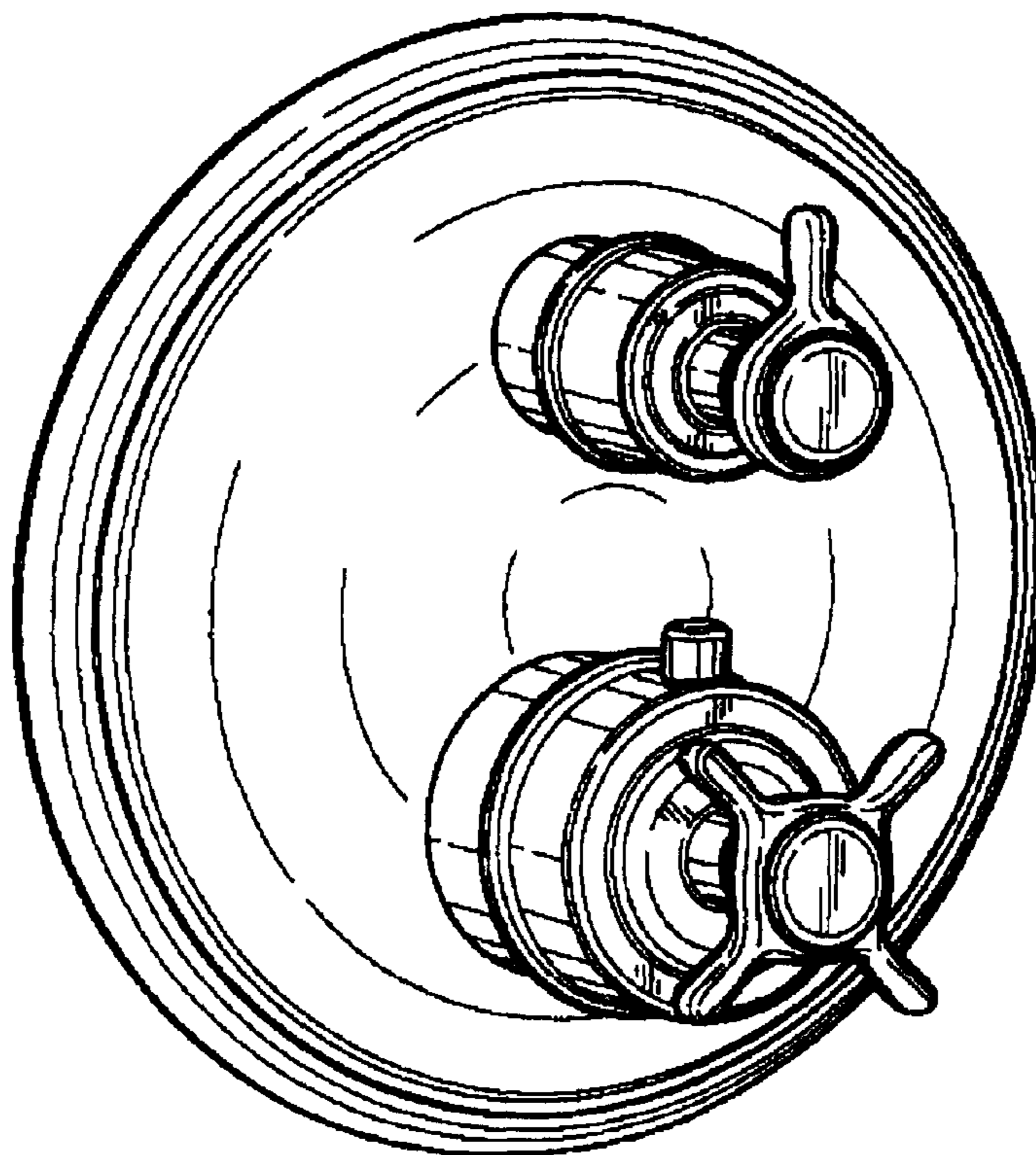
FIG. 2 is a top plan view thereof;

FIG. 3 is a right side elevational view thereof; the left side elevational view being a mirror image thereof;

FIG. 4 is a front elevational view thereof; and,

FIG. 5 is a bottom plan view thereof.

1 Claim, 2 Drawing Sheets



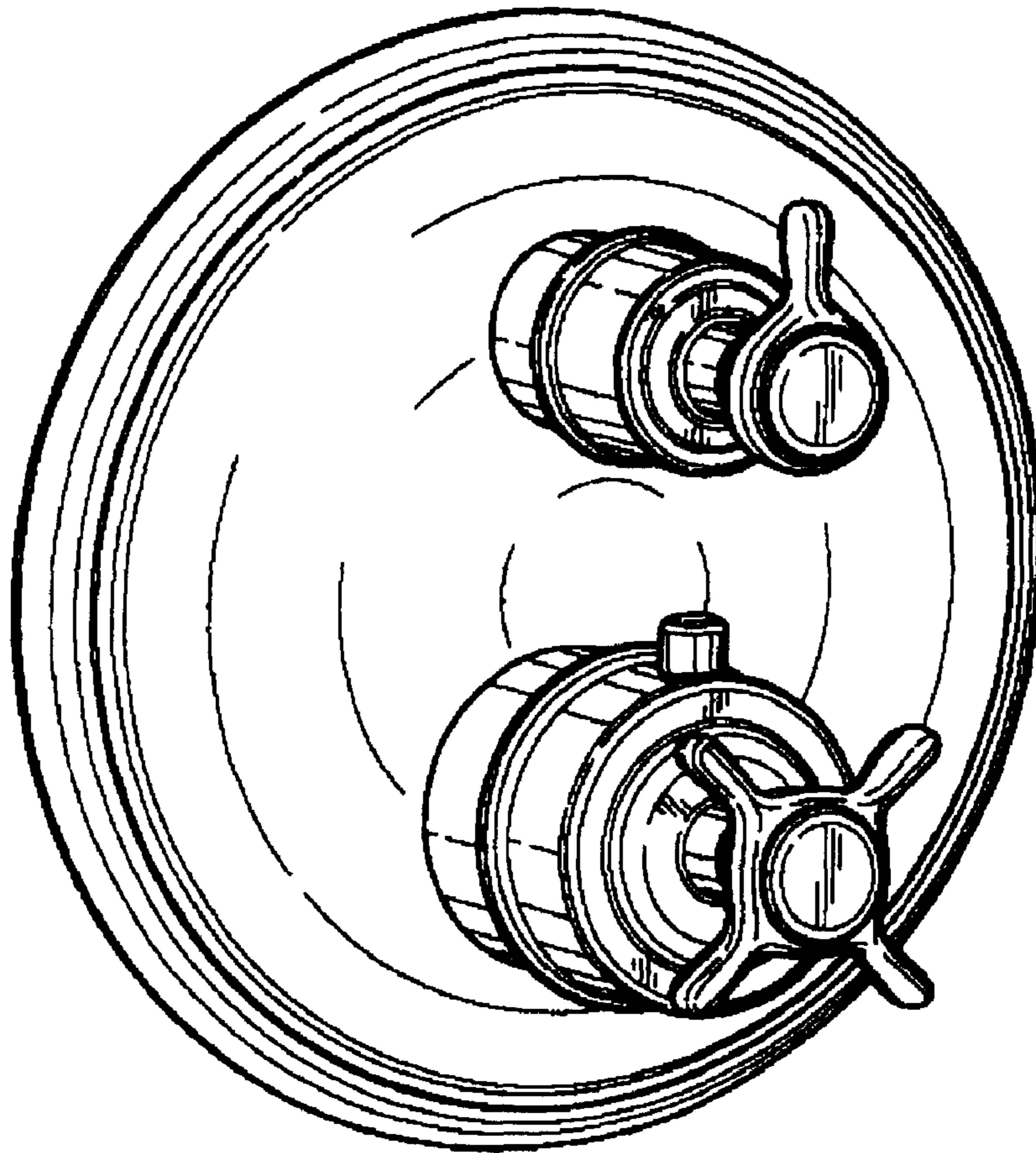


FIG. 1

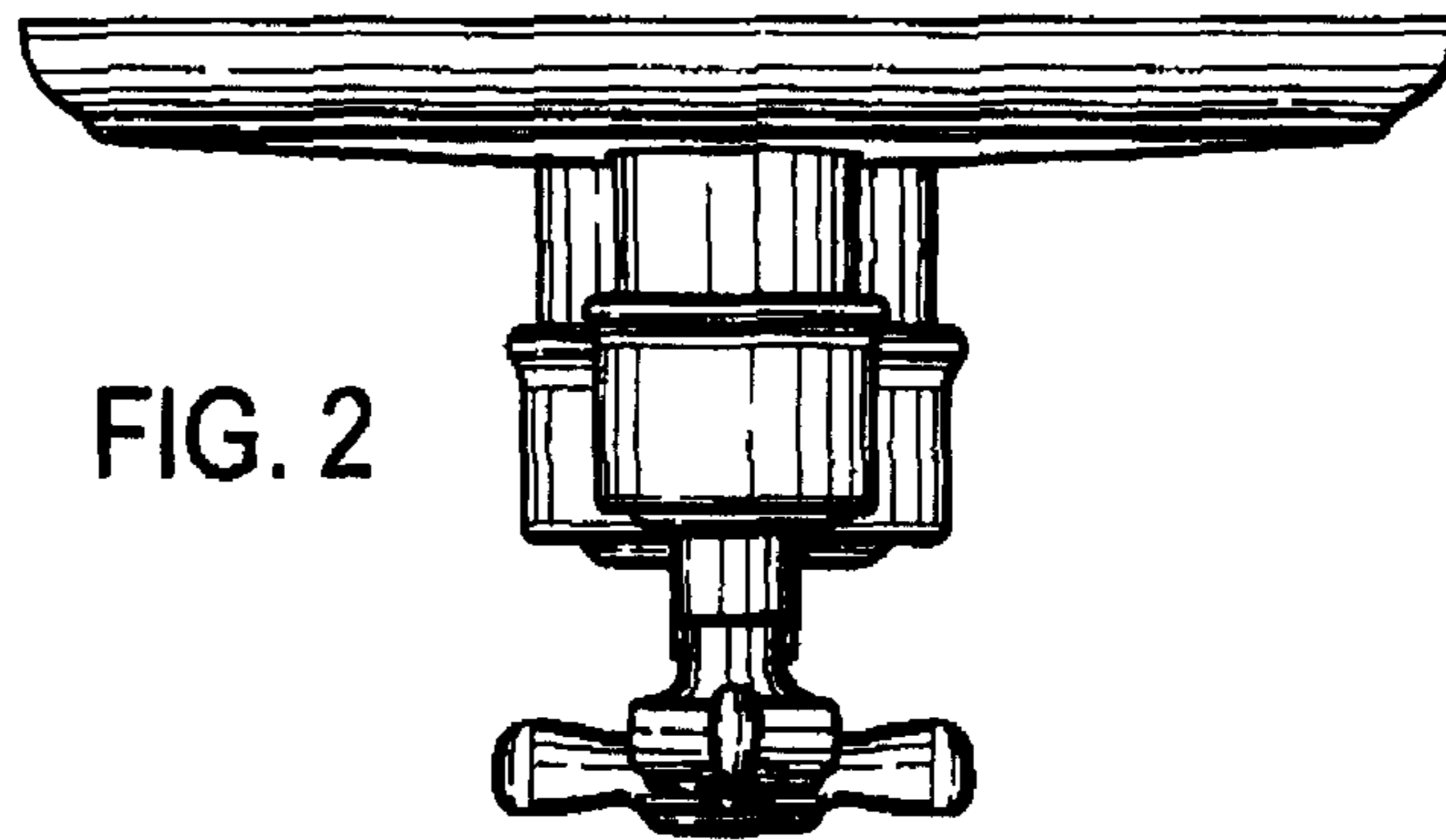


FIG. 2

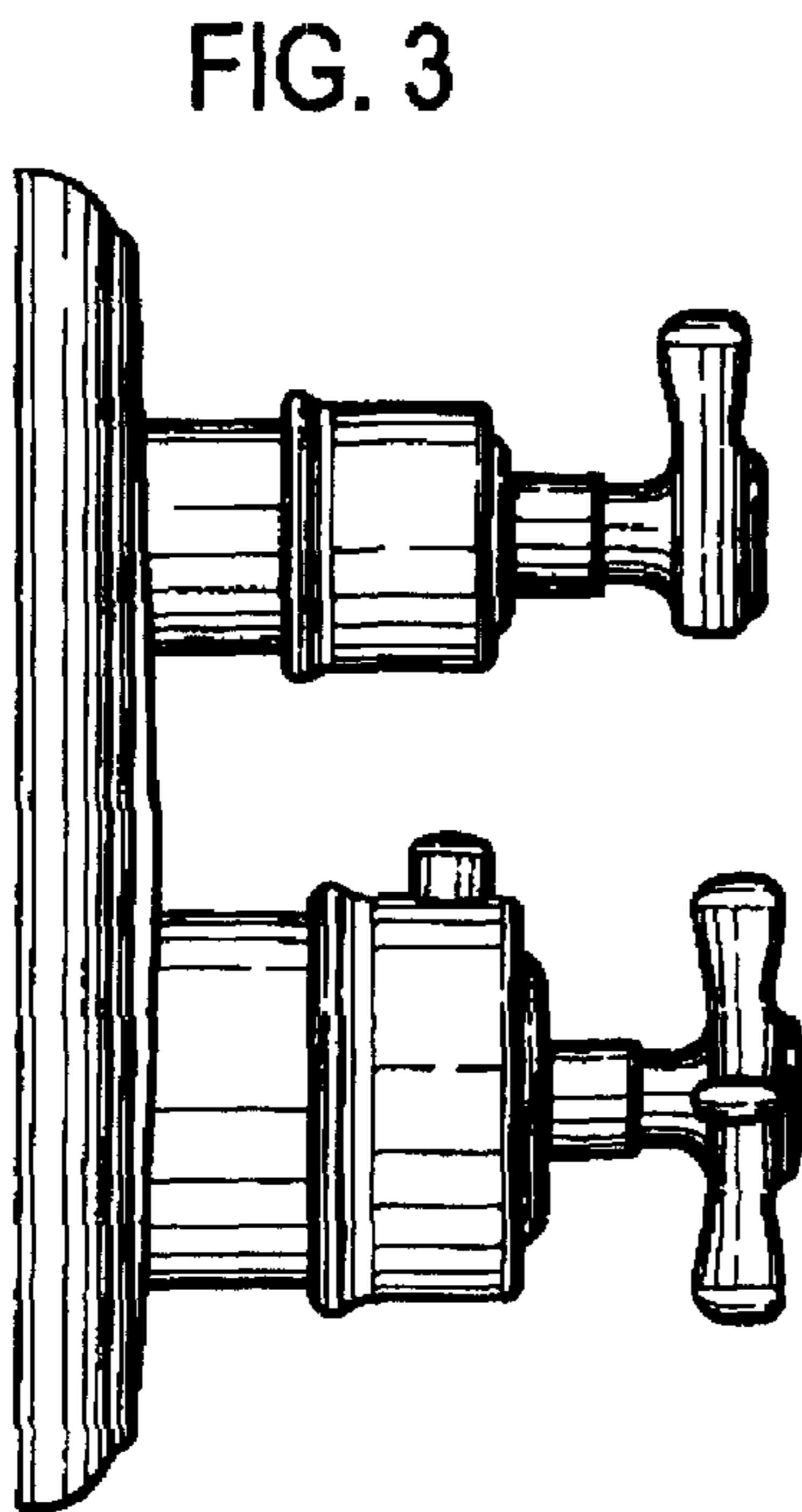


FIG. 3

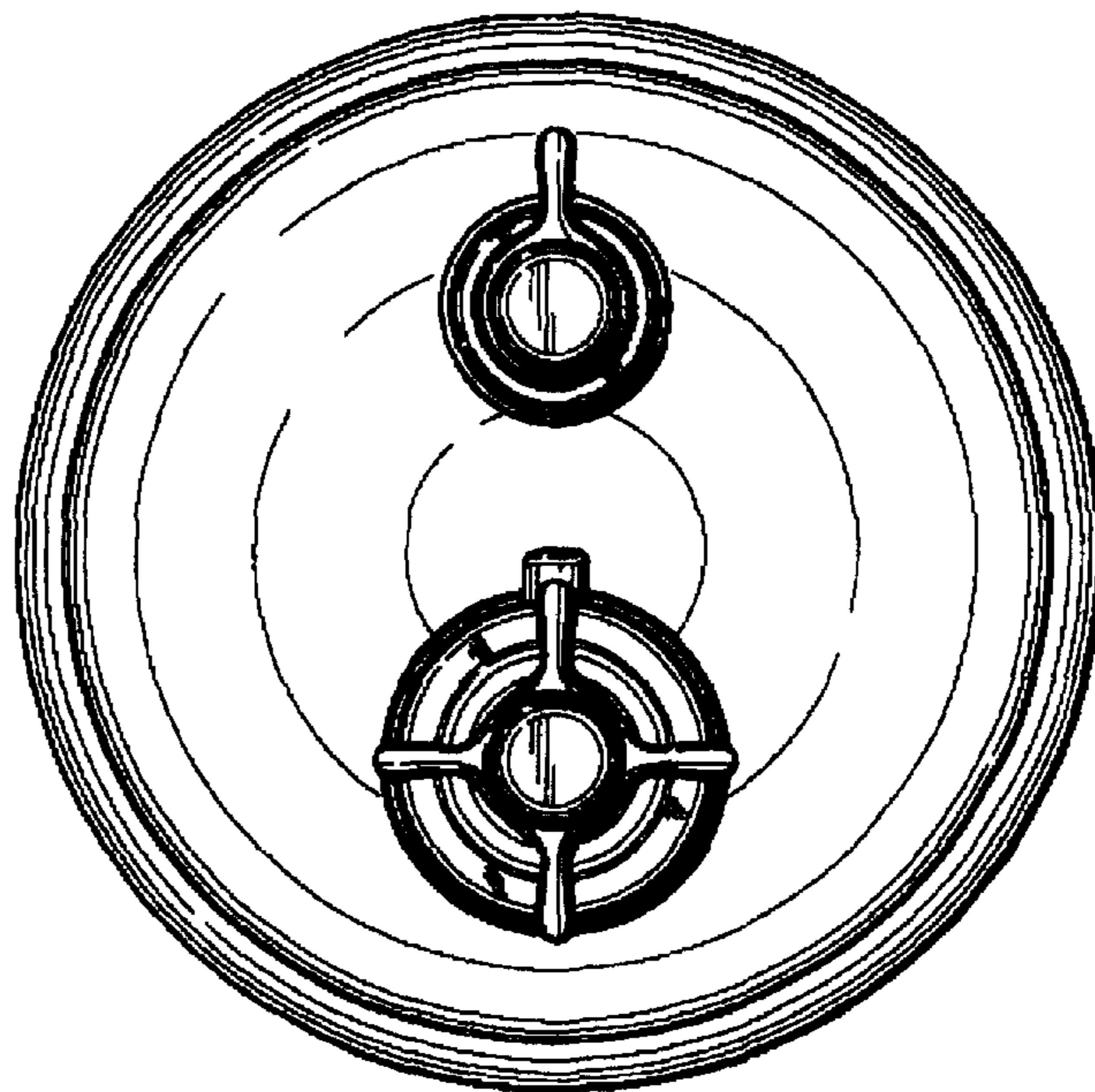


FIG. 4

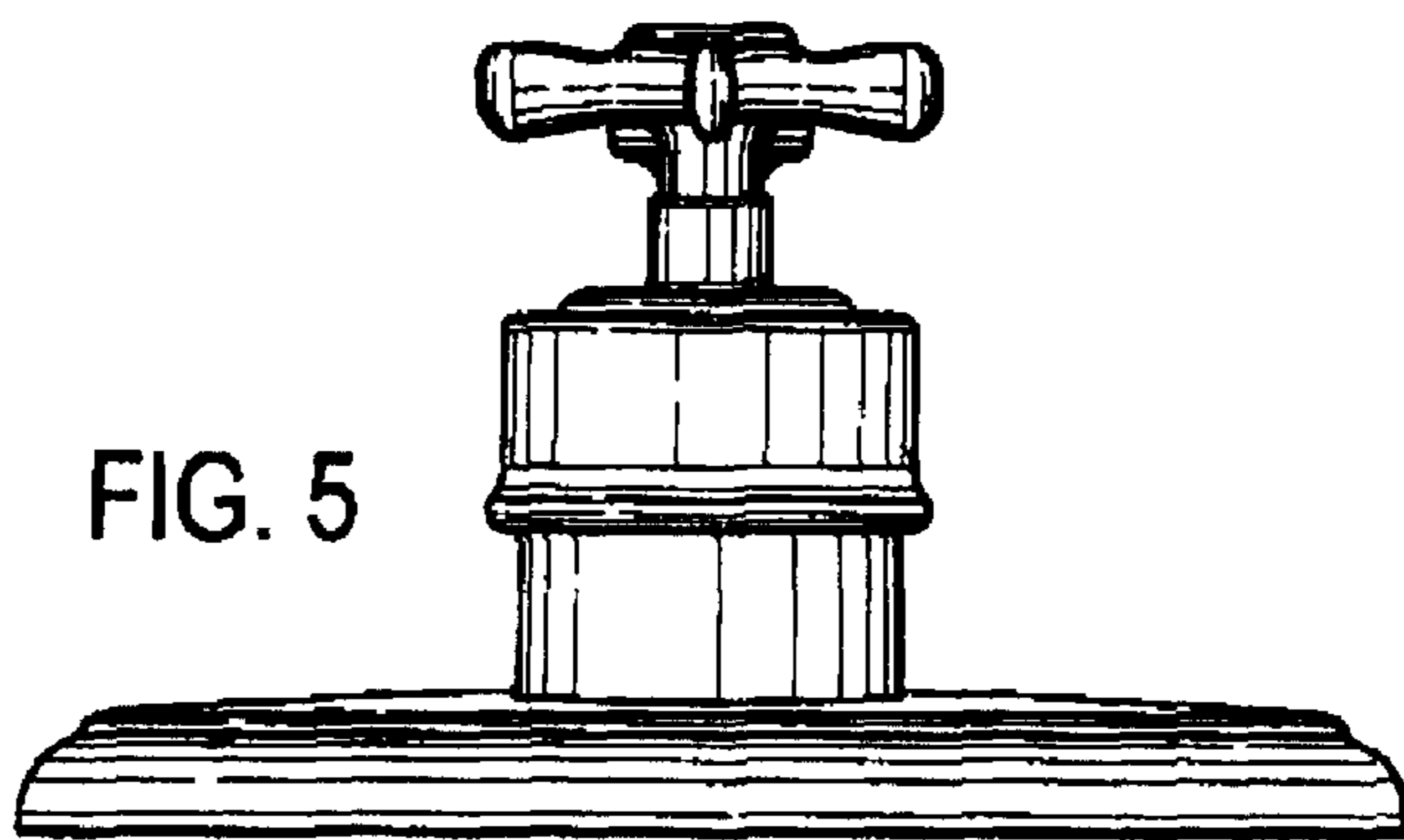


FIG. 5