



US00D542384S

(12) **United States Design Patent**
Starck

(10) **Patent No.:** **US D542,384 S**

(45) **Date of Patent:** **** May 8, 2007**

(54) **SHOWER CONTROL**

D498,517 S * 11/2004 Citterio D23/245
D522,104 S * 5/2006 Hoernig D23/254

(75) Inventor: **Philippe Starck**, Paris (FR)

* cited by examiner

(73) Assignee: **Hansgrohe AG** (DE)

Primary Examiner—Robert A. Delehanty
(74) *Attorney, Agent, or Firm*—Kwadjo Adusei-Poku;
Lloyd D. Doigan

(**) Term: **14 Years**

(21) Appl. No.: **29/230,791**

(57) **CLAIM**

(22) Filed: **May 26, 2005**

The ornamental design for a shower control, as shown and described.

(30) **Foreign Application Priority Data**

Nov. 30, 2004 (EM) 000261276-0003

DESCRIPTION

(51) **LOC (8) Cl.** **23-02**

(52) **U.S. Cl.** **D23/254**

(58) **Field of Classification Search** D23/238,
D23/241, 245, 254, 250, 252, 283, 303–304;
4/552, 596, 615

See application file for complete search history.

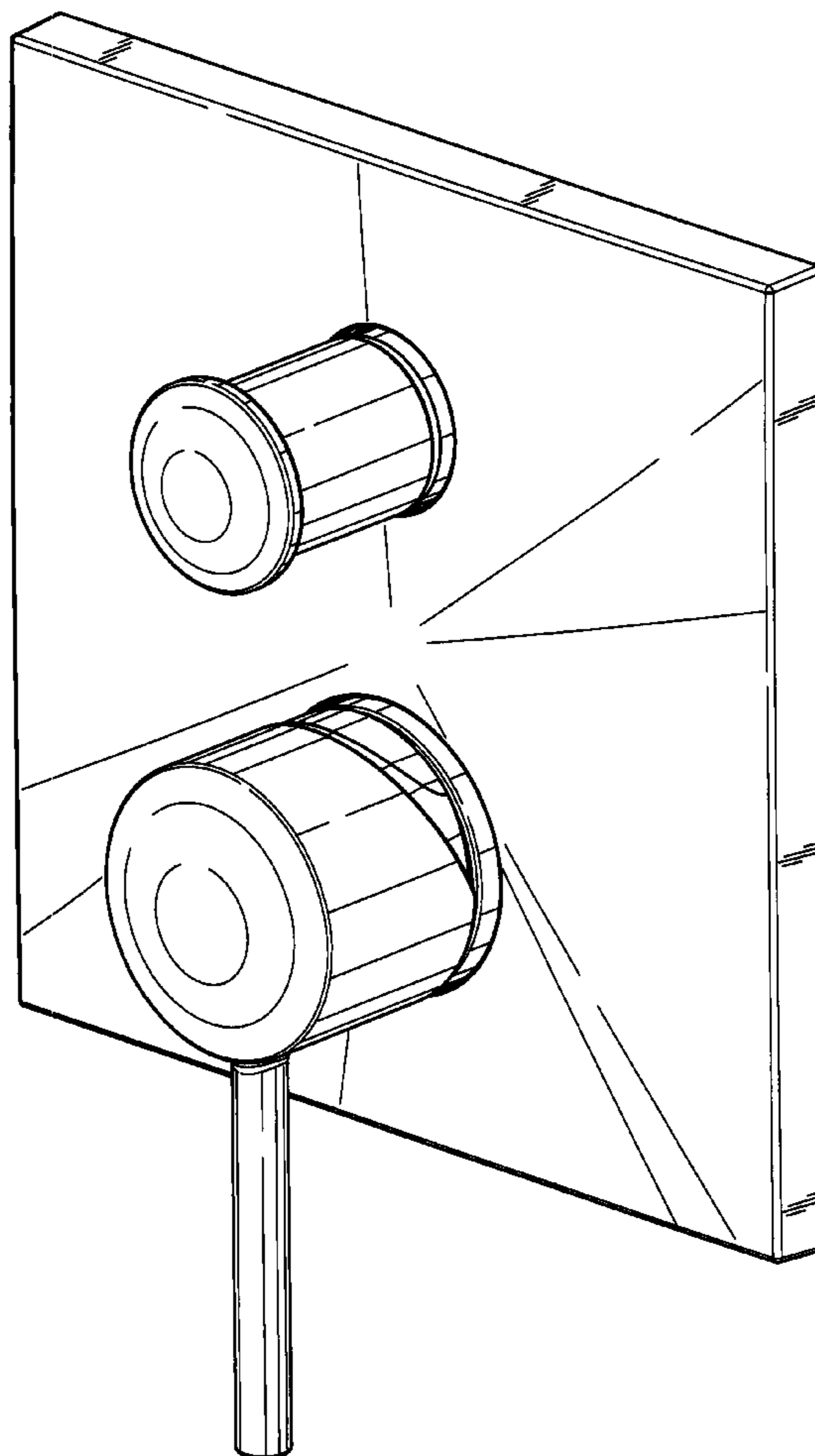
FIG. 1 is a front perspective view of a shower control showing my new design;
FIG. 2 is a front elevational view thereof;
FIG. 3 is a left side elevational view thereof;
FIG. 4 is a right side elevational view thereof;
FIG. 5 is a top plan view thereof; and,
FIG. 6 is a bottom plan view thereof.

(56) **References Cited**

U.S. PATENT DOCUMENTS

D436,653 S * 1/2001 Lefroy-Brooks D23/241

1 Claim, 5 Drawing Sheets



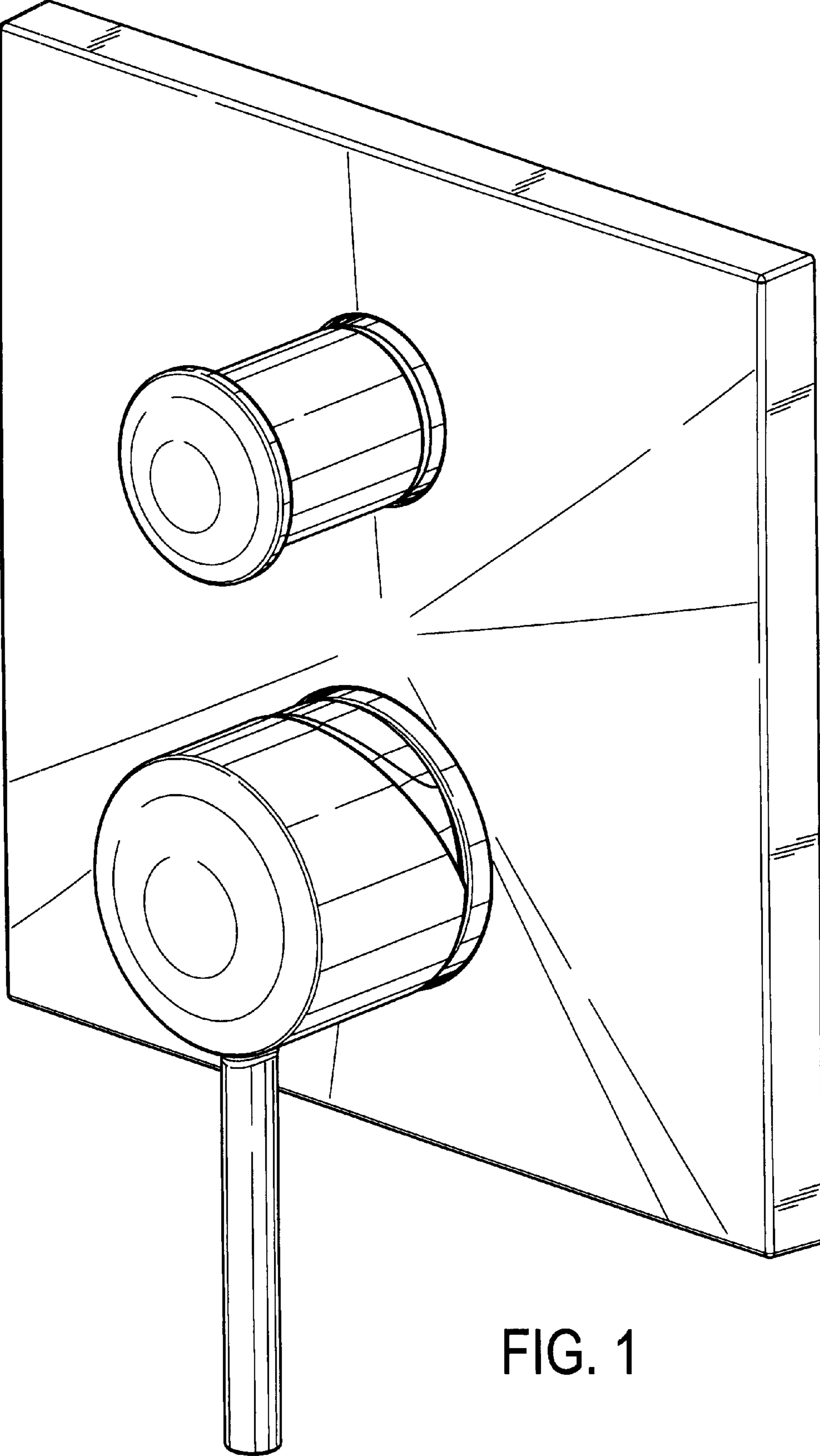


FIG. 1

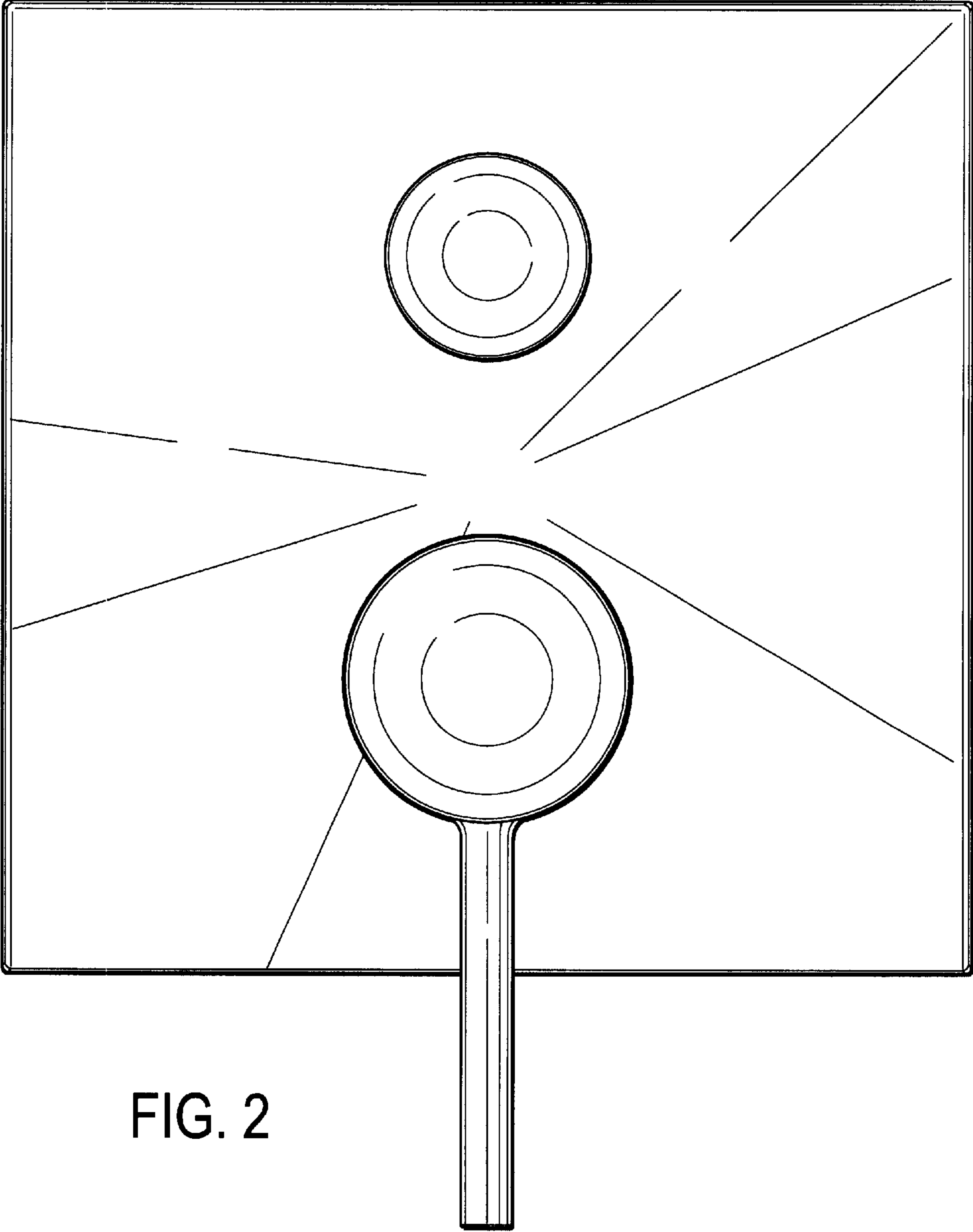


FIG. 2

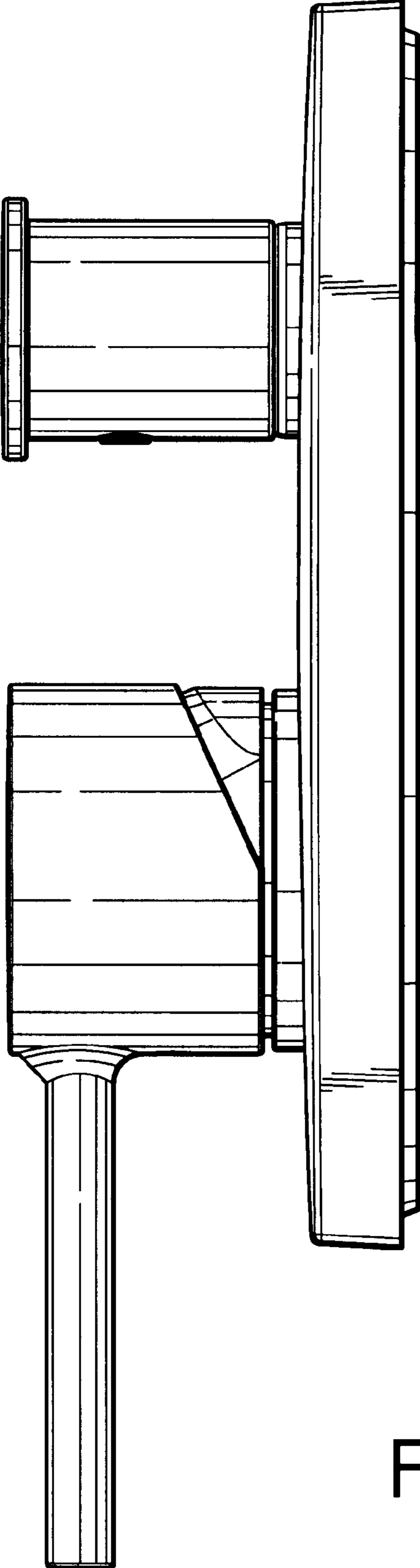


FIG. 3

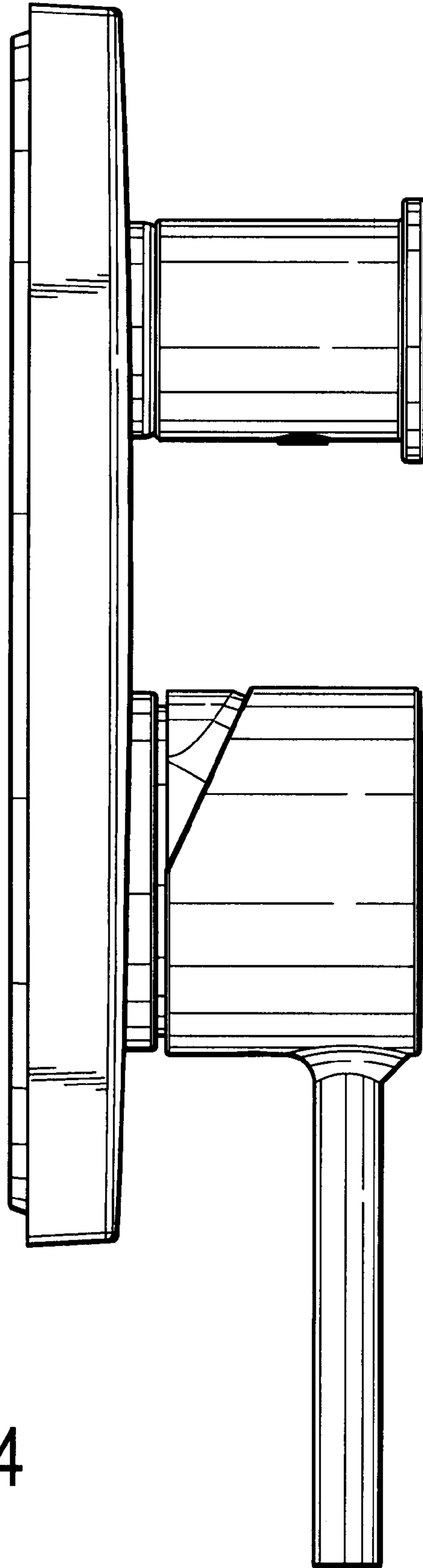


FIG. 4

FIG. 5

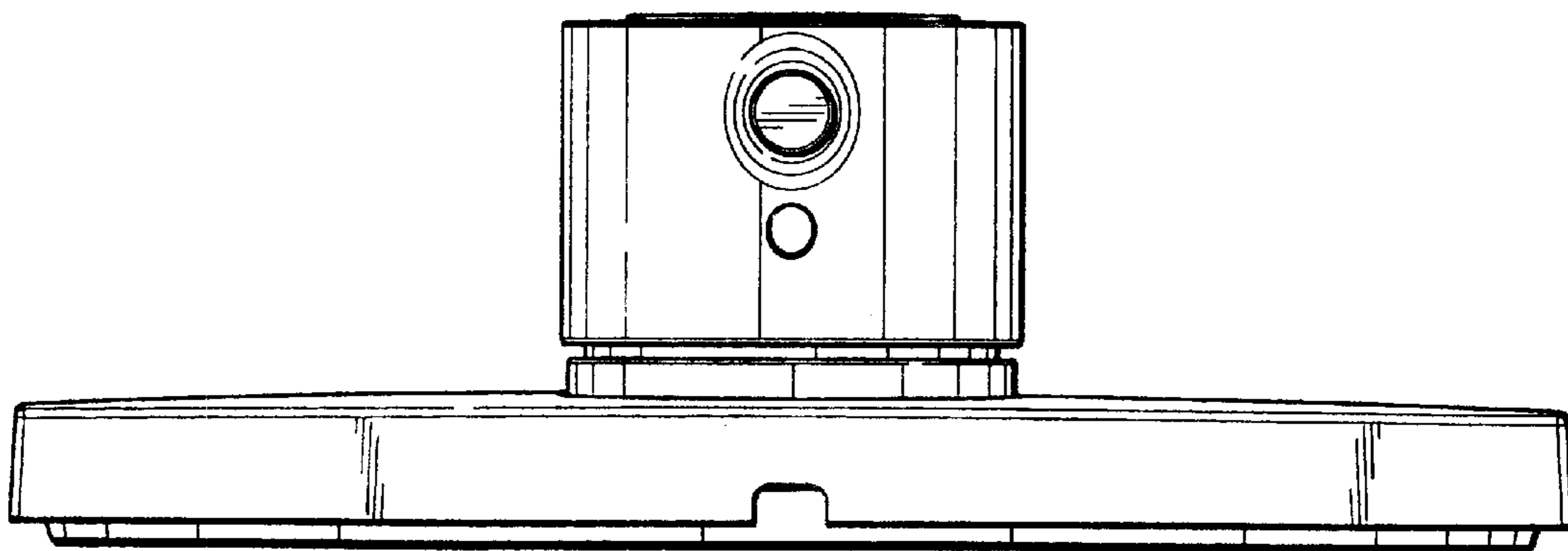
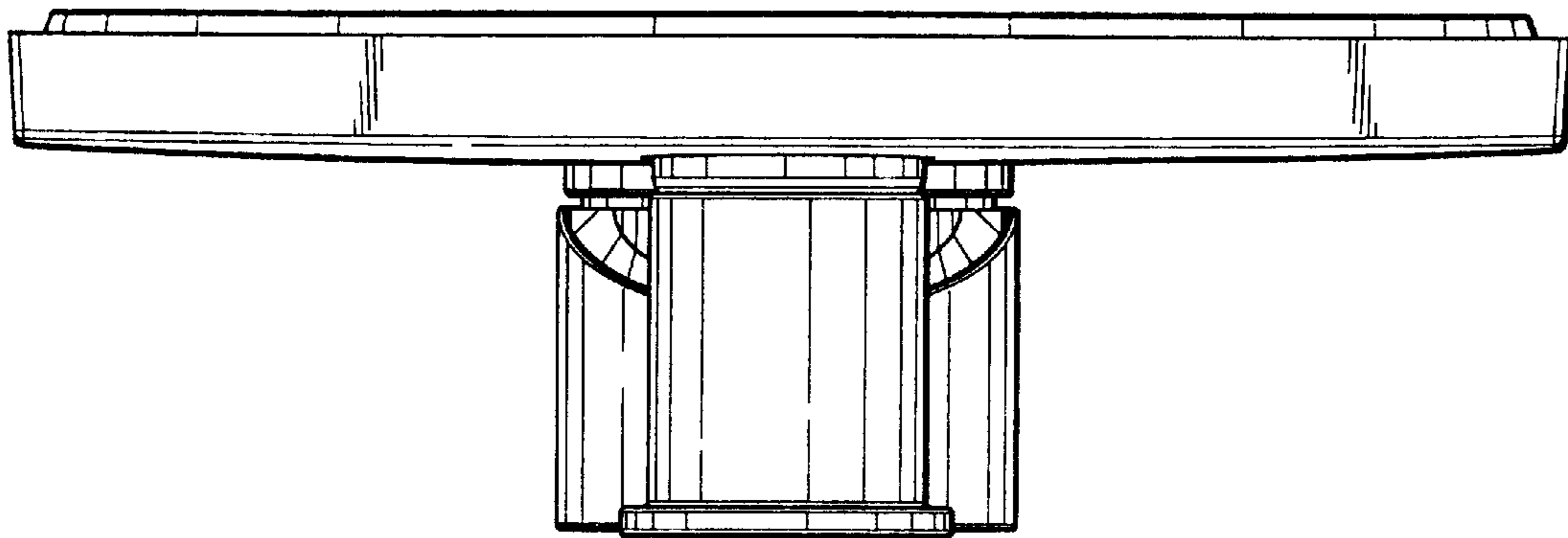


FIG. 6