



US00D542377S

(12) **United States Design Patent**
Jou

(10) **Patent No.:** **US D542,377 S**

(45) **Date of Patent:** **** May 8, 2007**

(54) **MULTIPURPOSE POWER GUN**

(57) **CLAIM**

(76) **Inventor:** **Wuu-Cheau Jou**, No. 497-6, Caohou Rd., Dali City, Taichung County 412 (TW)

The ornamental design for a multipurpose power gun, as shown and described.

(**) **Term:** **14 Years**

DESCRIPTION

(21) **Appl. No.:** **29/245,610**

FIG. 1 is a perspective view of a multipurpose power gun showing my new design;

(22) **Filed:** **Dec. 27, 2005**

FIG. 2 is a front side elevational view thereof;

(51) **LOC (8) Cl.** **23-01**

FIG. 3 is a rear side elevational view thereof;

(52) **U.S. Cl.** **D23/223**

FIG. 4 is a left elevational view thereof;

(58) **Field of Classification Search** D23/213,
D23/223, 226; 239/690-1, 525-7

FIG. 5 is a right elevational view thereof;

See application file for complete search history.

FIG. 6 is a top plan view thereof;

(56) **References Cited**

FIG. 7 is a bottom plan view thereof;

U.S. PATENT DOCUMENTS

FIG. 8 is a front side elevational view showing the multipurpose power gun with a short nozzle in use;

D372,517 S * 8/1996 Farnsteiner D23/223

FIG. 9 is a front side elevational view showing the multipurpose power gun with a long puffing dust pipe in use;

D482,430 S * 11/2003 Jou D23/223

FIG. 10 is a front side elevational view showing the multipurpose power gun with an air hose in use;

D506,808 S * 6/2005 Huang D23/223

FIG. 11 is a front side elevational view showing the multipurpose power gun with a spraying assembly in use;

D507,630 S * 7/2005 Huang D23/223

FIG. 12 is a front side elevational view showing the multipurpose power gun with a sand blast assembly in use; and,

* cited by examiner

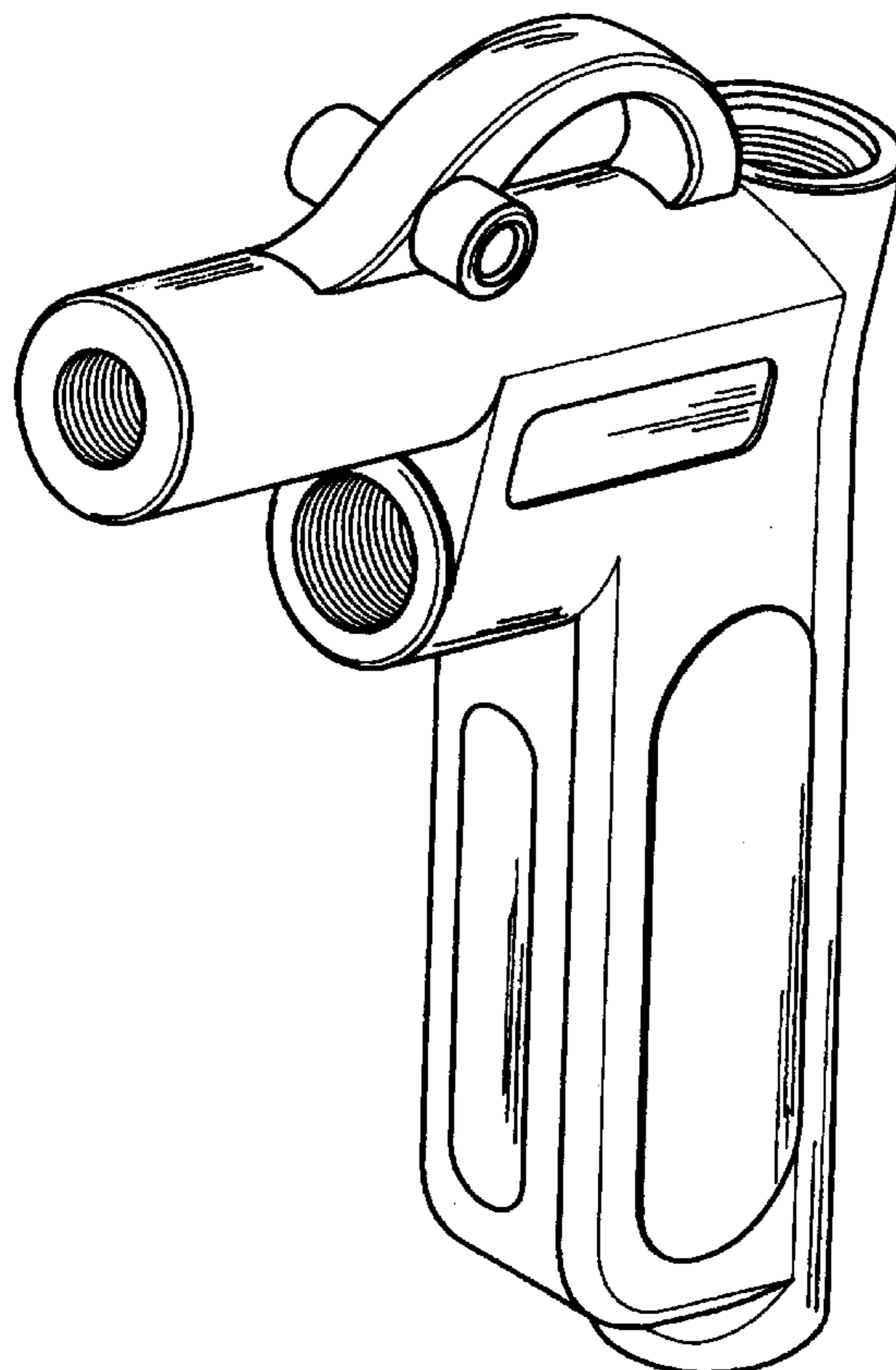
FIG. 13 is a front side elevational view showing the multipurpose power gun with a suck oil assembly in use.

Primary Examiner—Robin Webster

The broken lines in the drawing are for illustrative purposes only and form no part of the claimed design.

(74) *Attorney, Agent, or Firm*—Alan D. Kamrath; Nikolai & Mersereau, P.A.

1 Claim, 11 Drawing Sheets



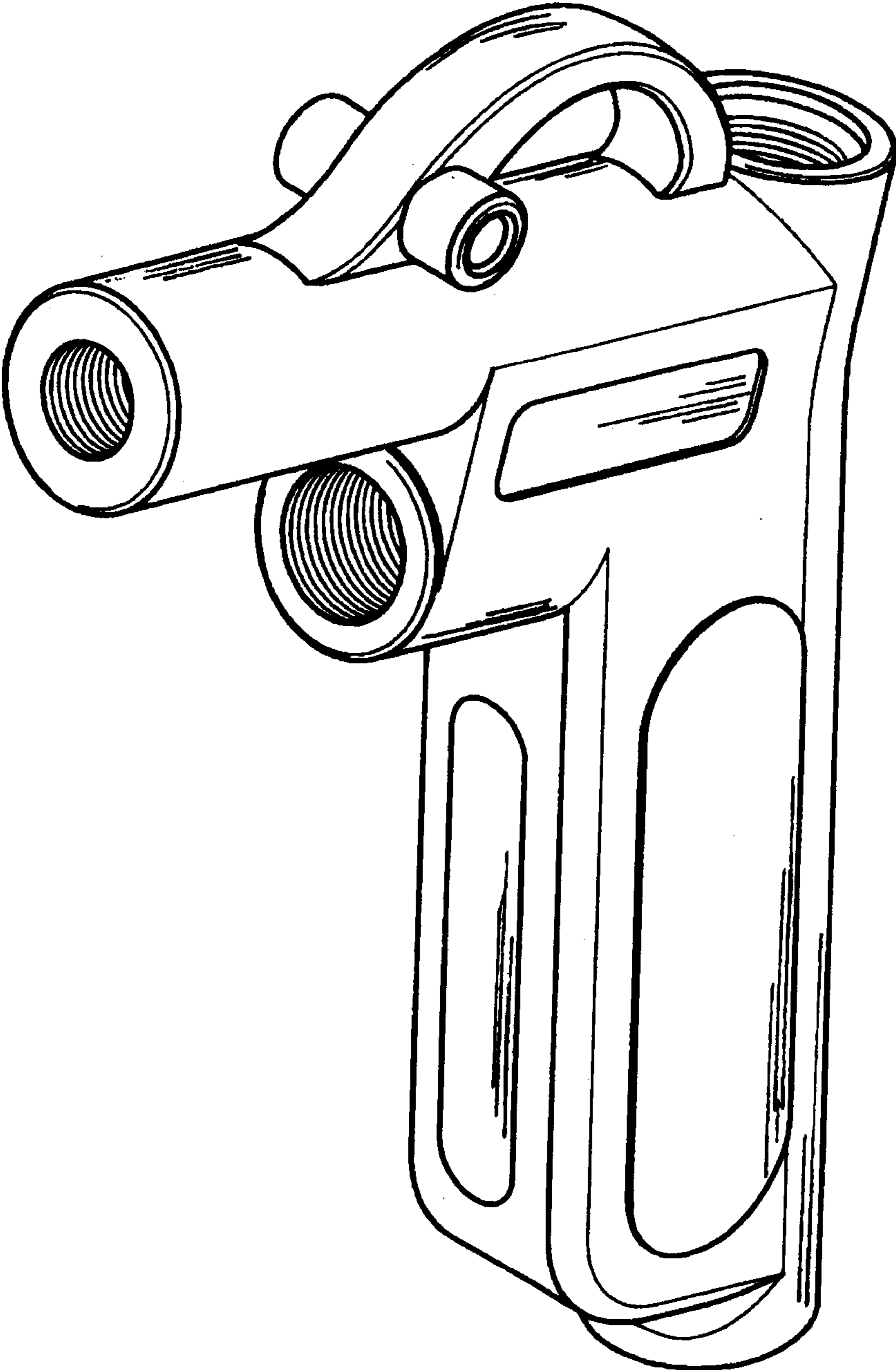


FIG. 1

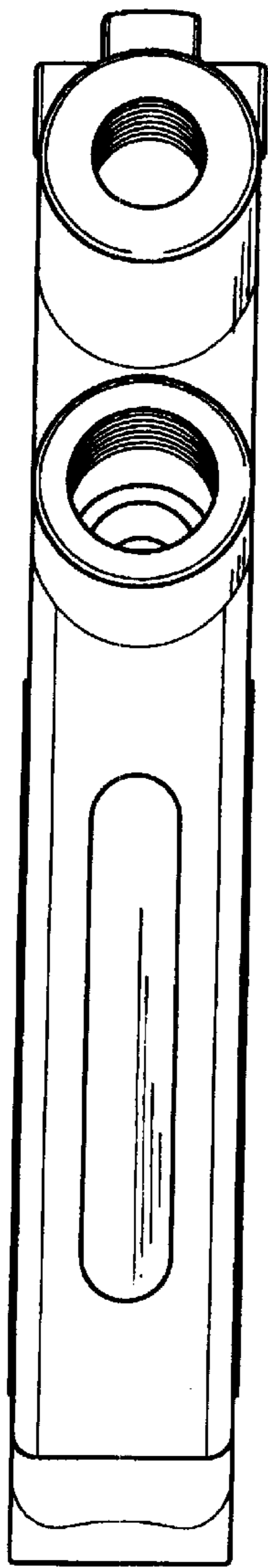


FIG. 2

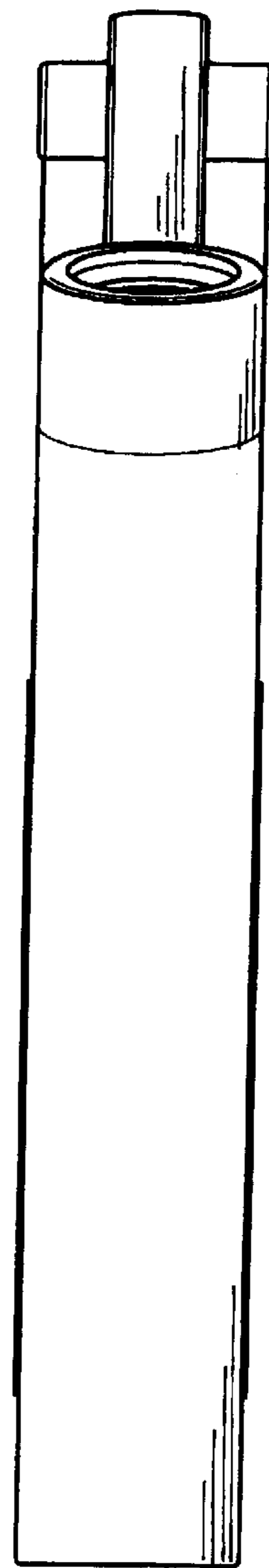


FIG. 3

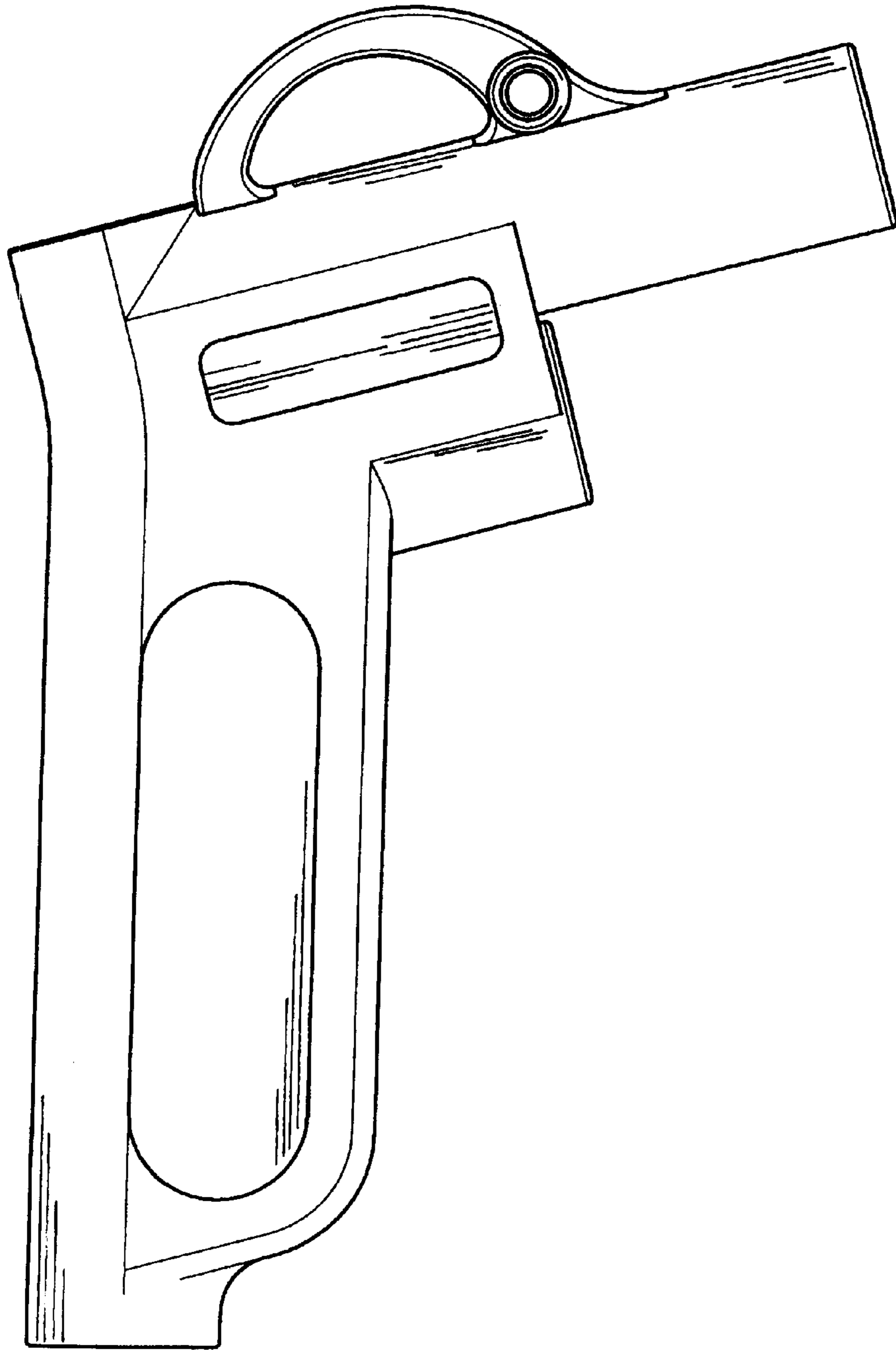


FIG.4

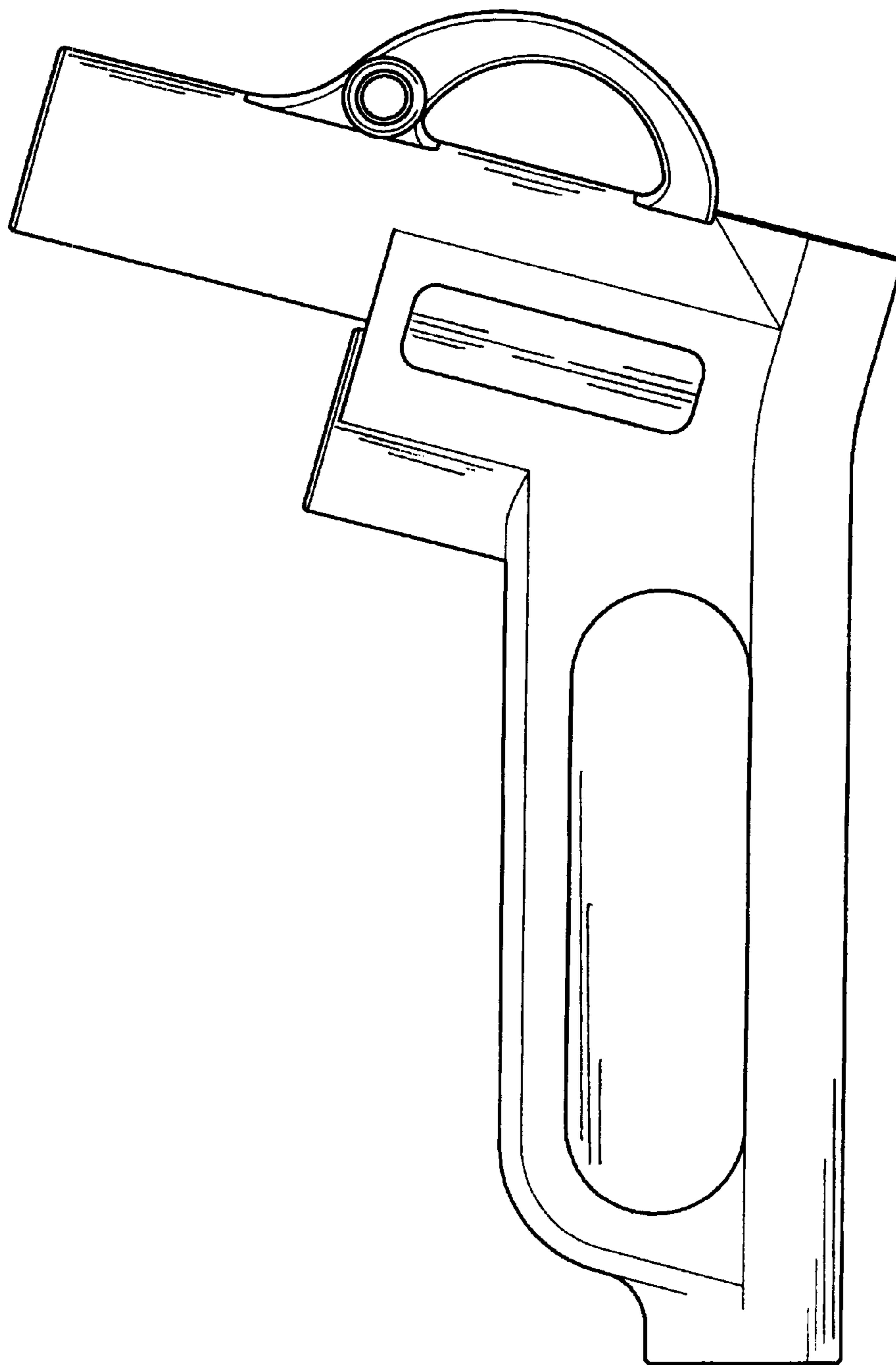


FIG.5

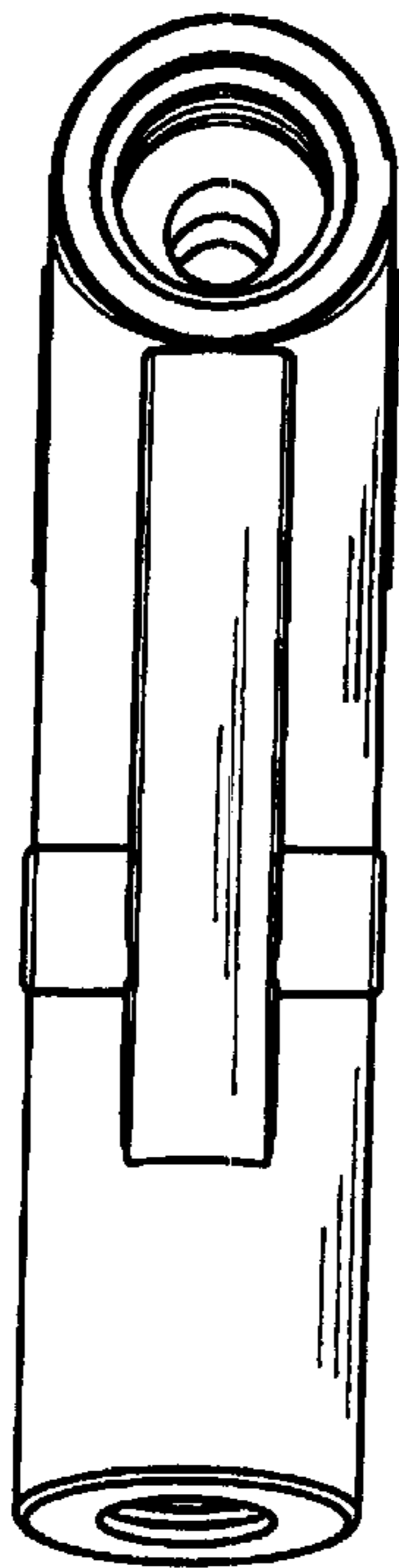


FIG. 6

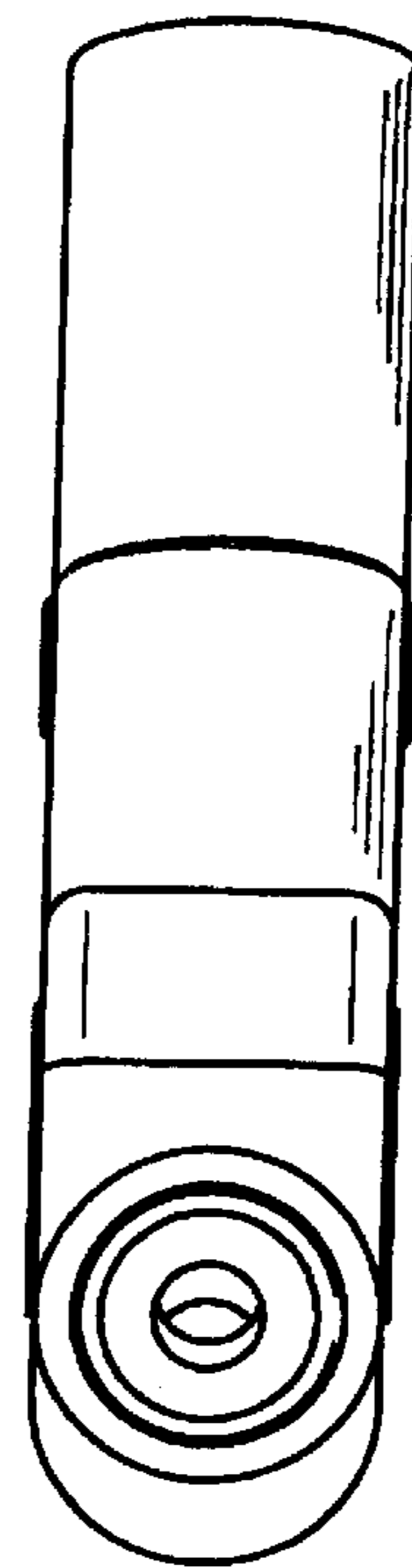


FIG. 7

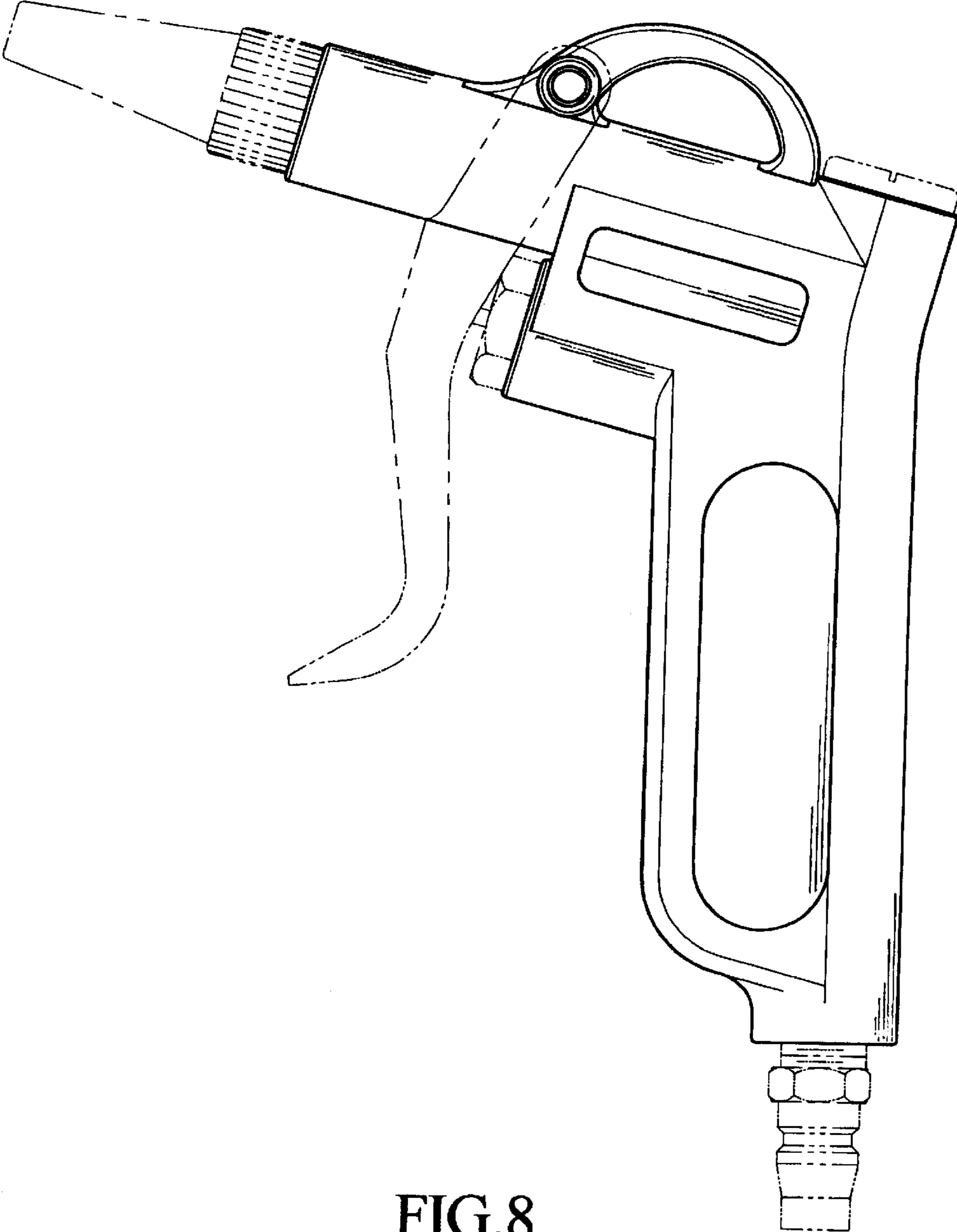


FIG.8

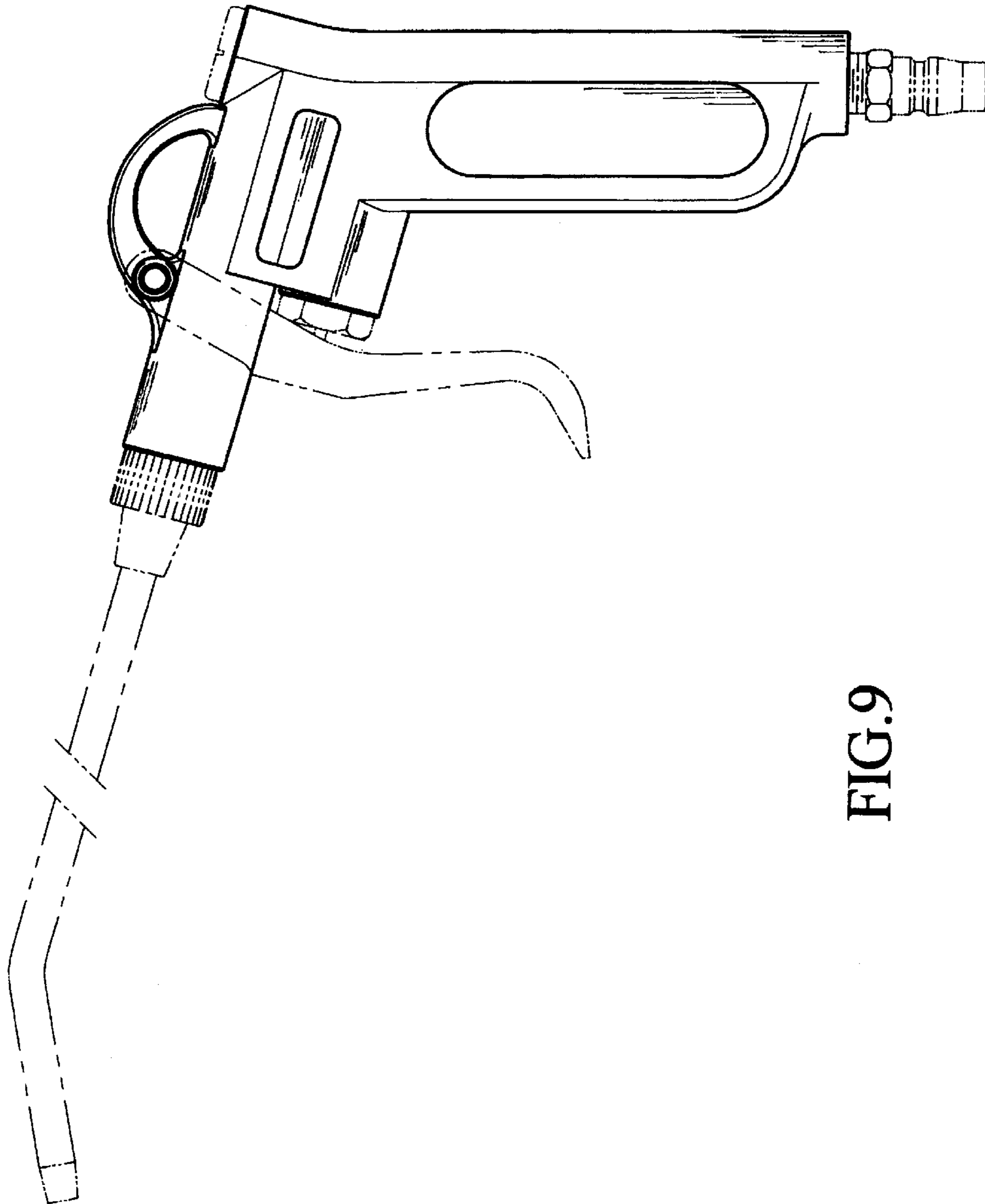


FIG.9

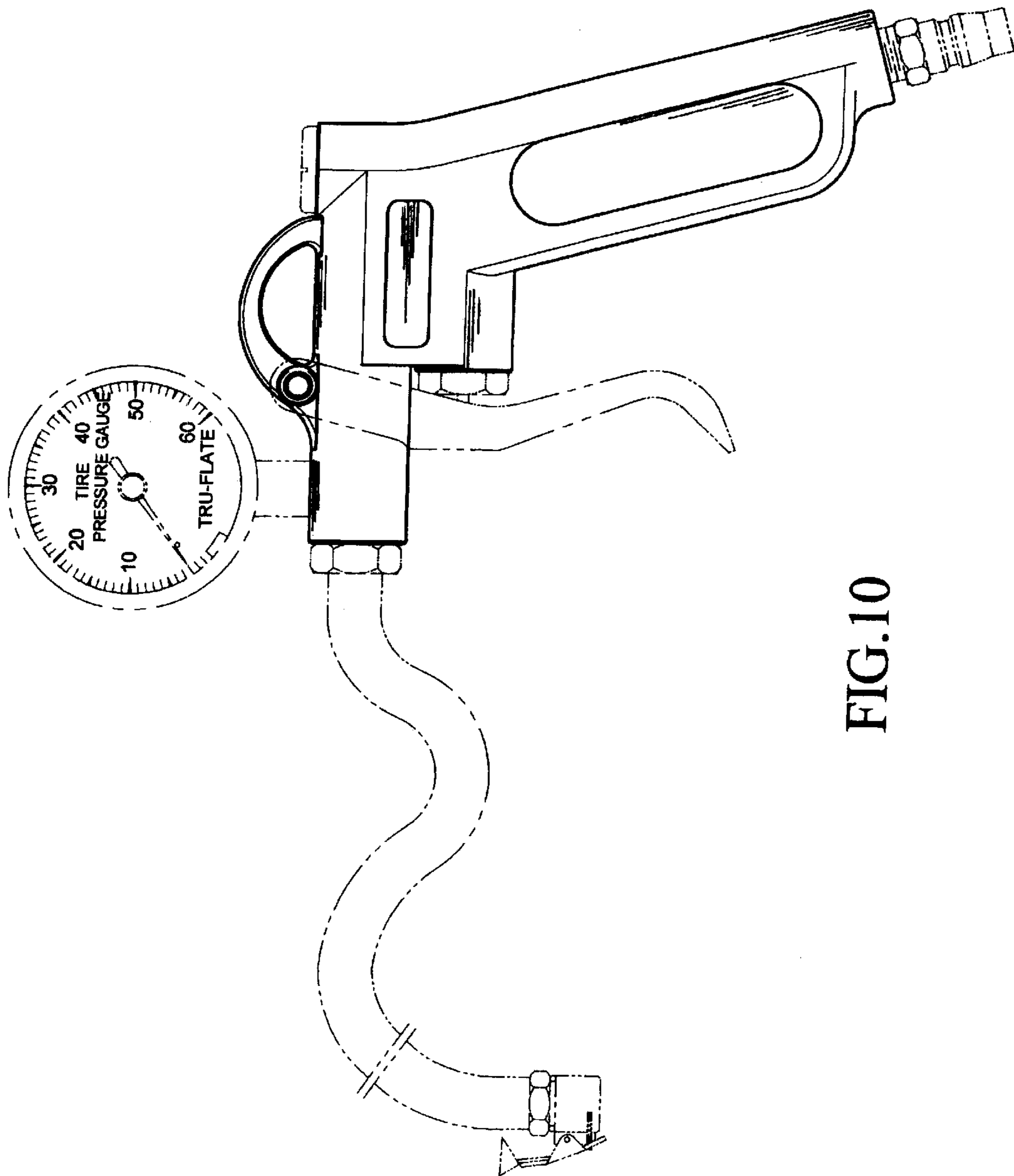


FIG.10

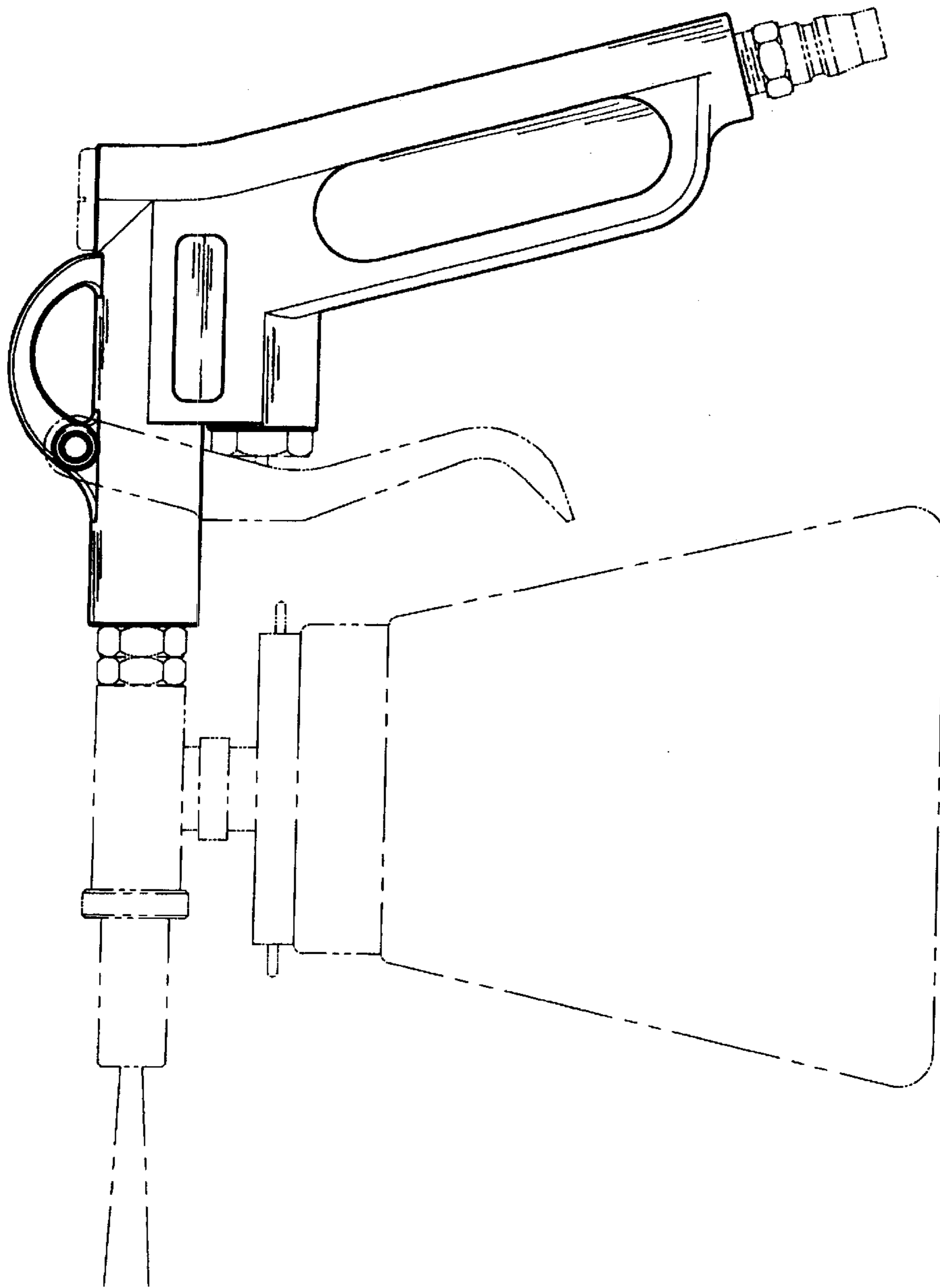


FIG. 11

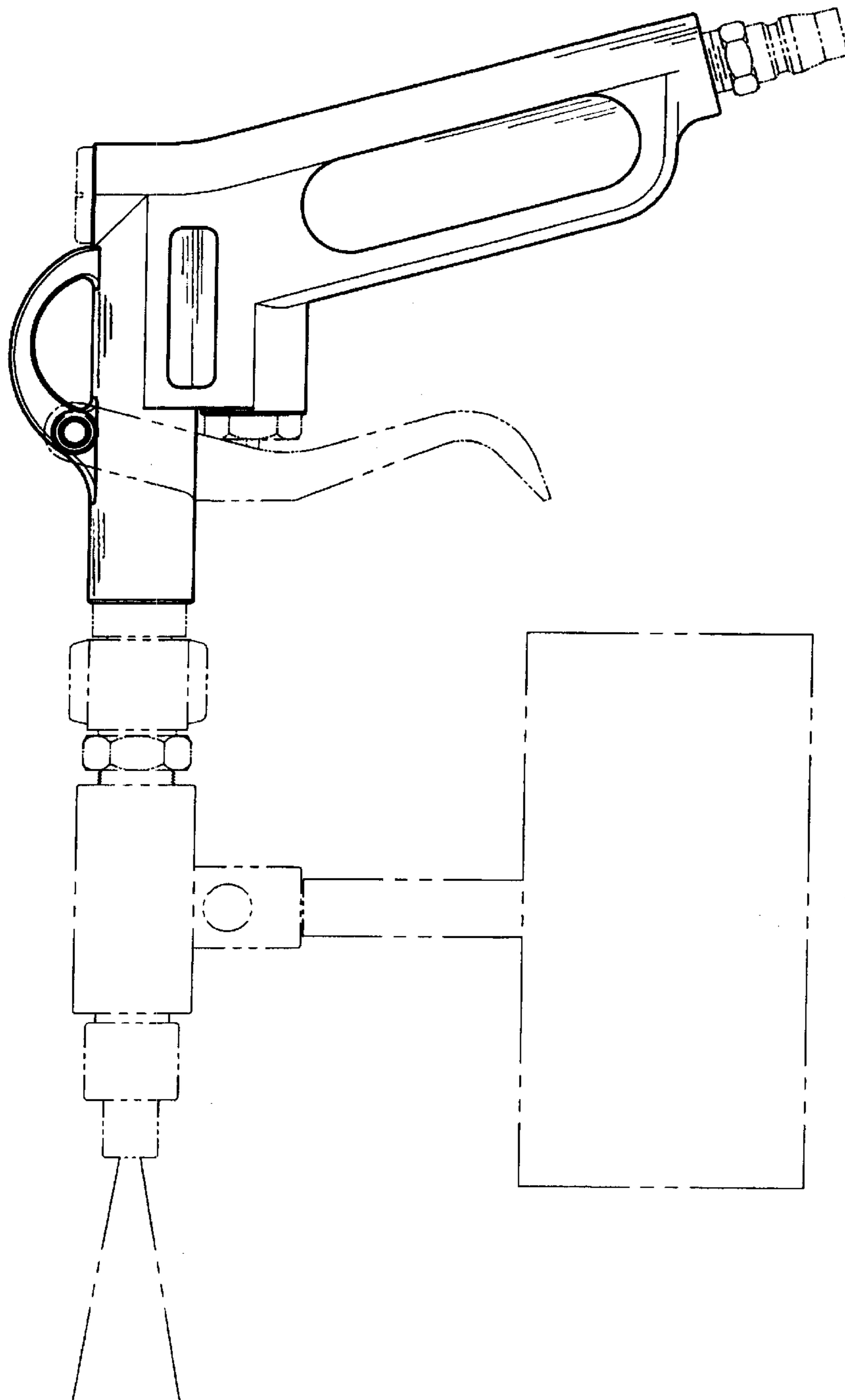


FIG. 12

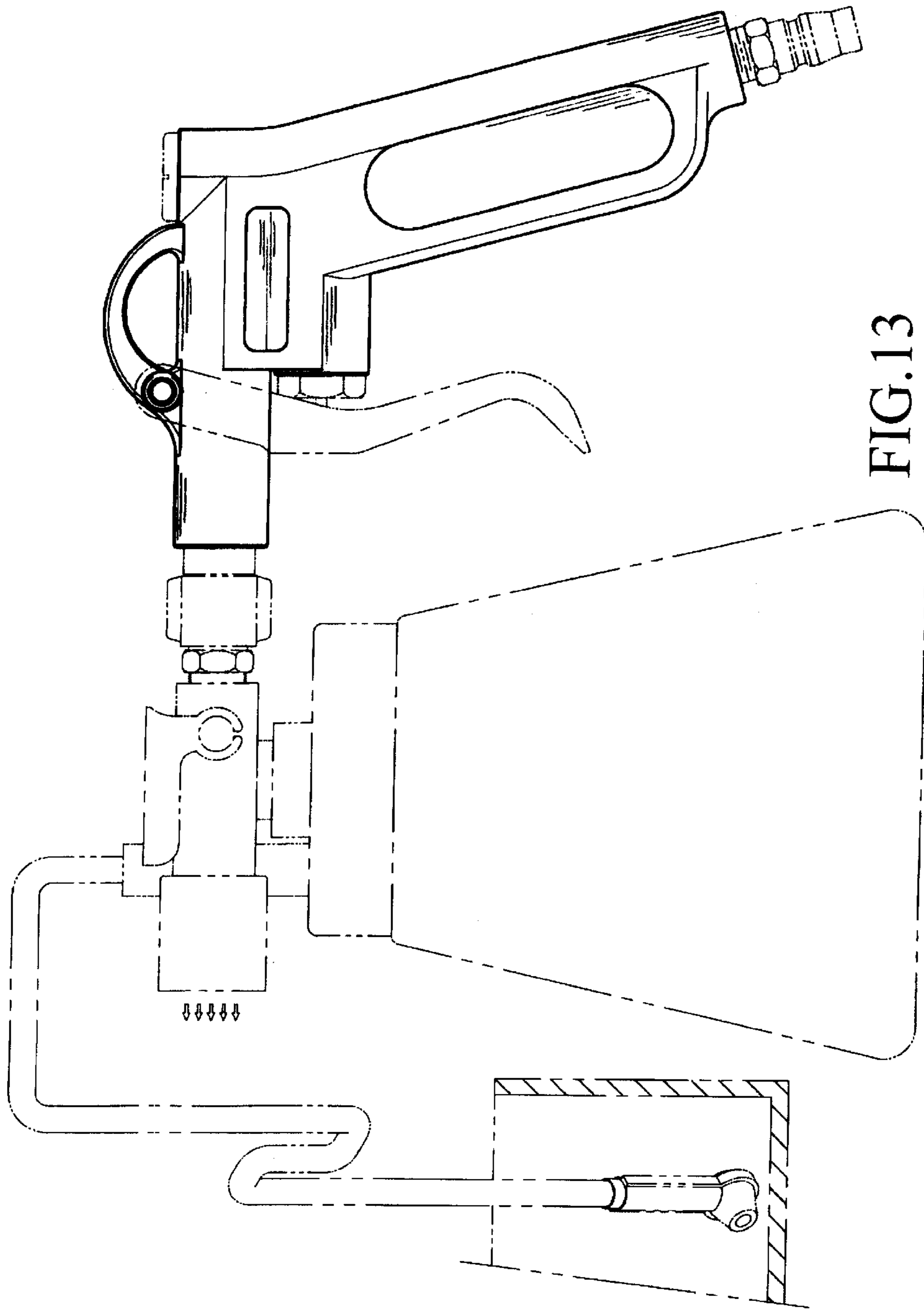


FIG. 13