

US00D542376S

(12) **United States Design Patent**  
**Blette et al.**

(10) **Patent No.:** **US D542,376 S**

(45) **Date of Patent:** **\*\* May 8, 2007**

(54) **SPRAY GUN NOZZLE AND AIR CAP ASSEMBLY**

(75) Inventors: **Russell E. Blette**, Hastings, MN (US);  
**Franklyn L. Frederickson**, White Bear Lake, MN (US); **Stephen C. P. Joseph**, Woodbury, MN (US); **Jameel R. Qiblawi**, North Hudson, WI (US)

(73) Assignee: **3M Innovative Properties company**, St. Paul, MN (US)

(\*\*) Term: **14 Years**

(21) Appl. No.: **29/243,809**

(22) Filed: **Nov. 30, 2005**

(51) **LOC (8) Cl.** ..... **23-01**

(52) **U.S. Cl.** ..... **D23/213**

(58) **Field of Classification Search** ..... D23/213,  
D23/223, 226; 239/525-6, 424, 424.5  
See application file for complete search history.

(56) **References Cited**

**U.S. PATENT DOCUMENTS**

D115,414 S \* 6/1939 Lindstaedt ..... D23/213

D390,630 S \* 2/1998 McKown et al. .... D23/213

D439,636 S \* 3/2001 Hamilton ..... D23/259

D447,536 S \* 9/2001 Robidoux ..... D23/213

6,971,590 B2 12/2005 Blette et al.

2005/0145723 A1 7/2005 Blette et al.

2005/0145724 A1 7/2005 Blette et al.

\* cited by examiner

*Primary Examiner*—Robin Webster

(74) *Attorney, Agent, or Firm*—Pamela L. Stewart

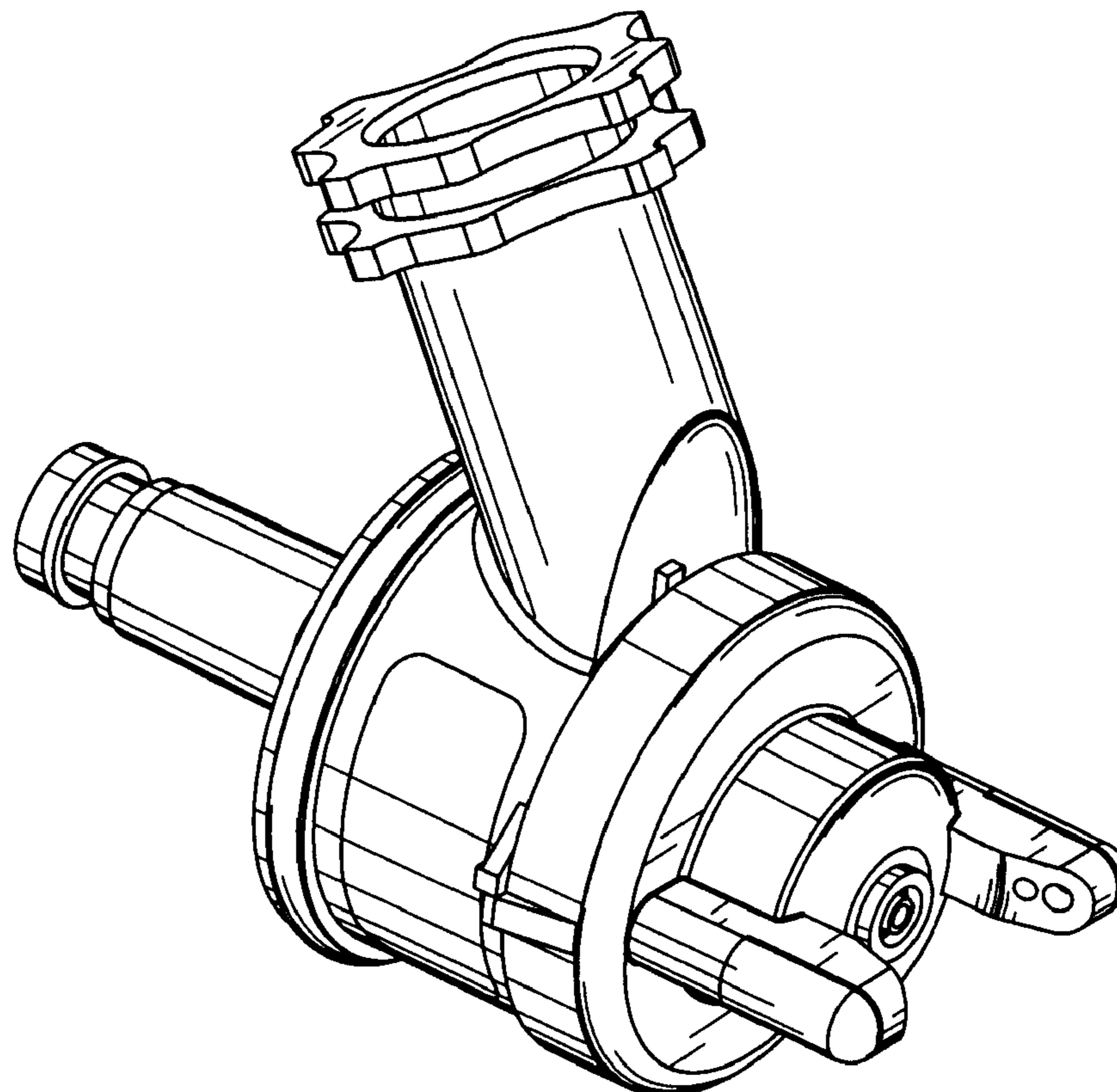
(57) **CLAIM**

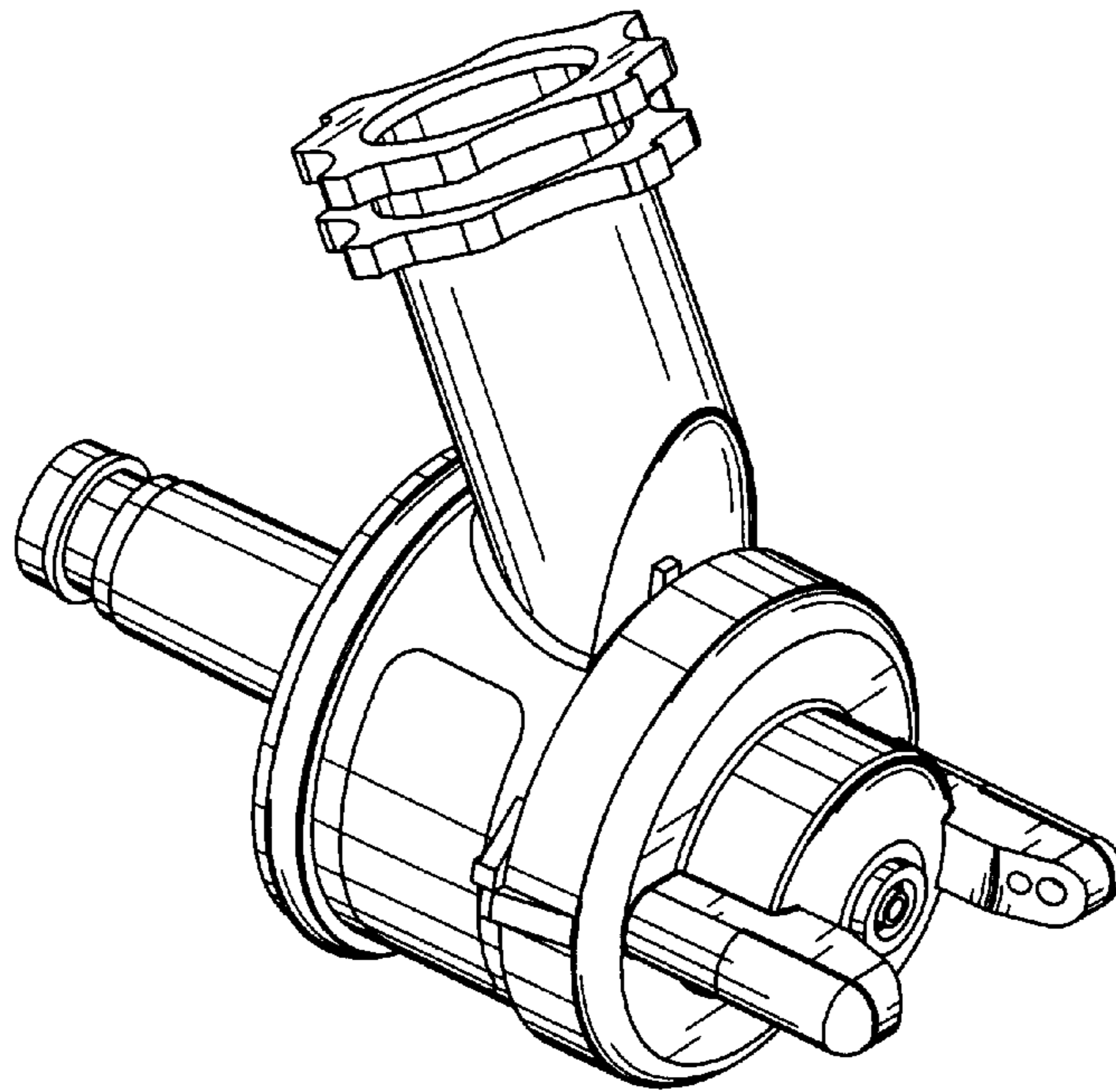
The ornamental spray gun nozzle and air cap assembly, as shown and described.

**DESCRIPTION**

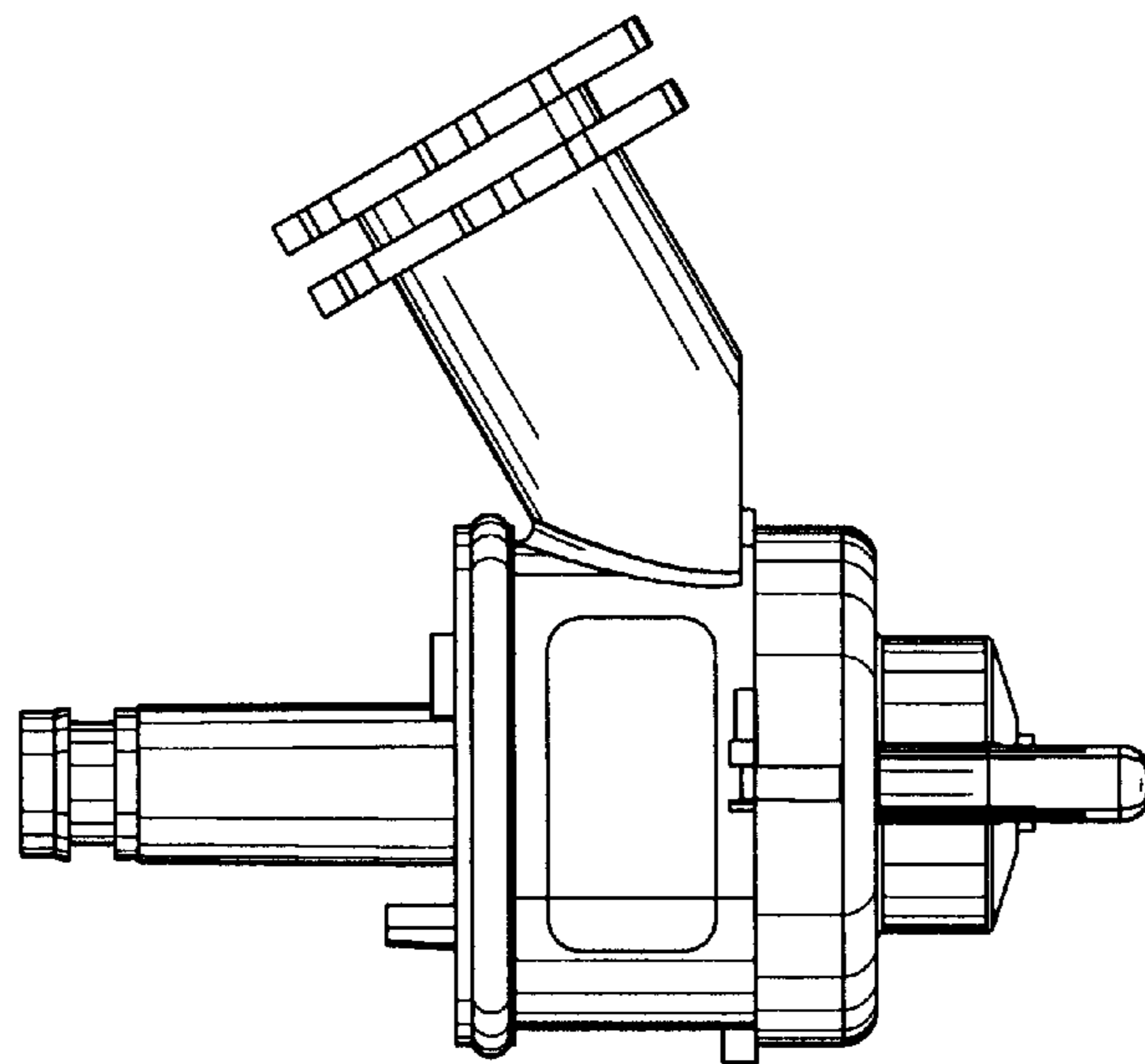
FIG. 1 is a perspective view of a spray gun nozzle and air cap assembly showing our new design; FIG. 2 is a left-hand side view thereof; FIG. 3 is a right-hand side view thereof; FIG. 4 is front view thereof; FIG. 5 is a rear view thereof; FIG. 6 is a bottom view thereof; and, FIG. 7 is a top view thereof.

**1 Claim, 3 Drawing Sheets**

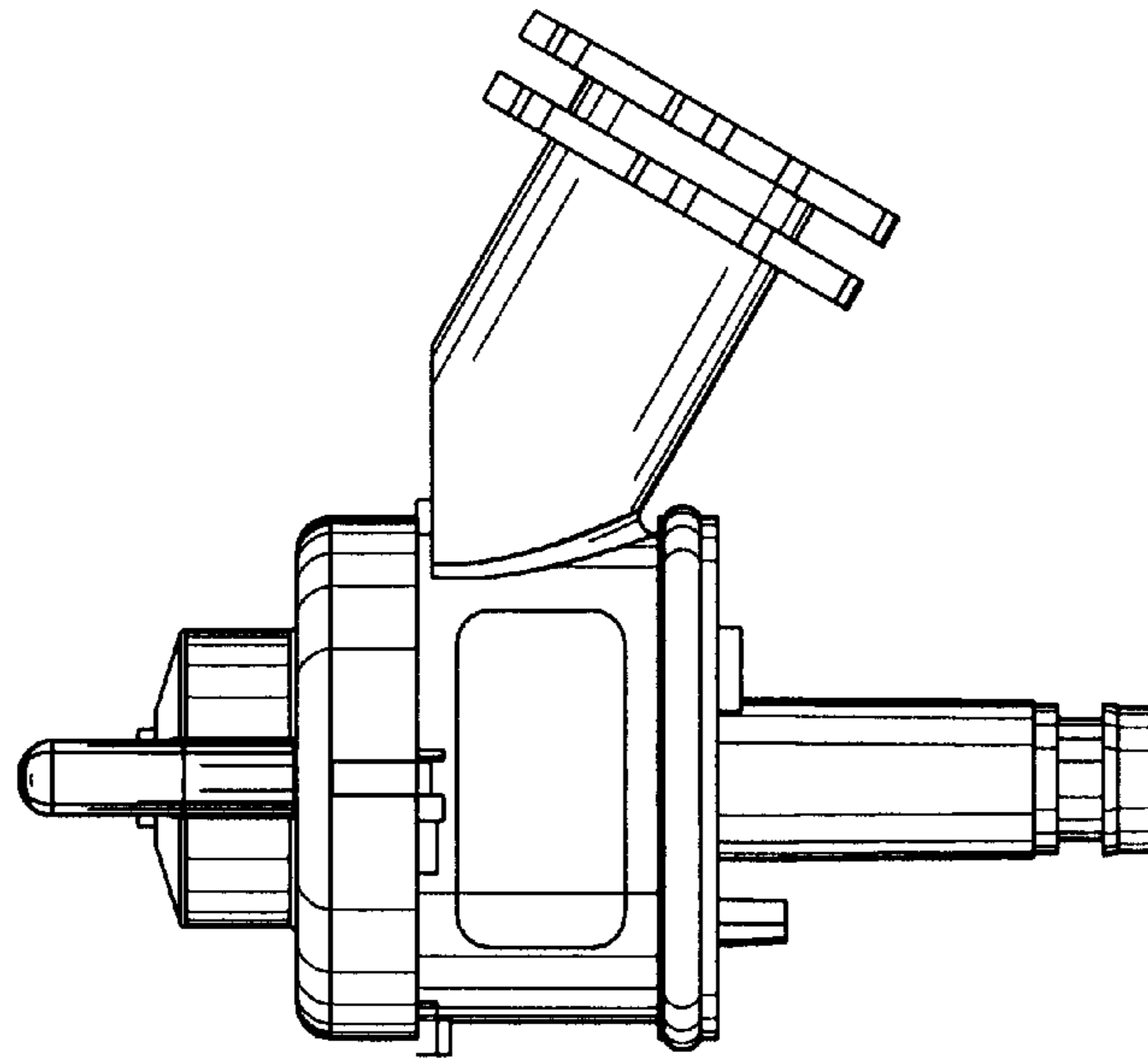




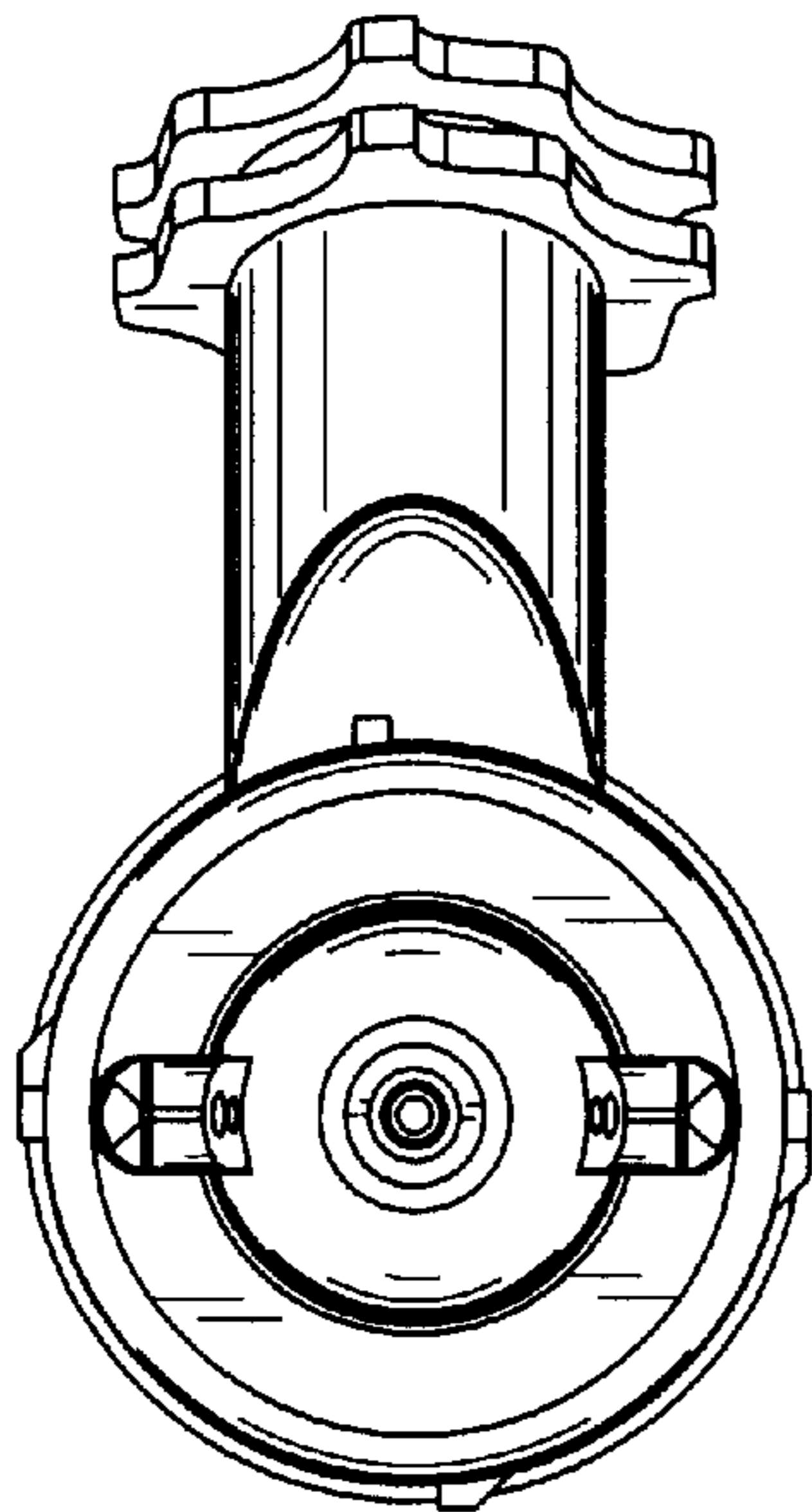
*Fig. 1*



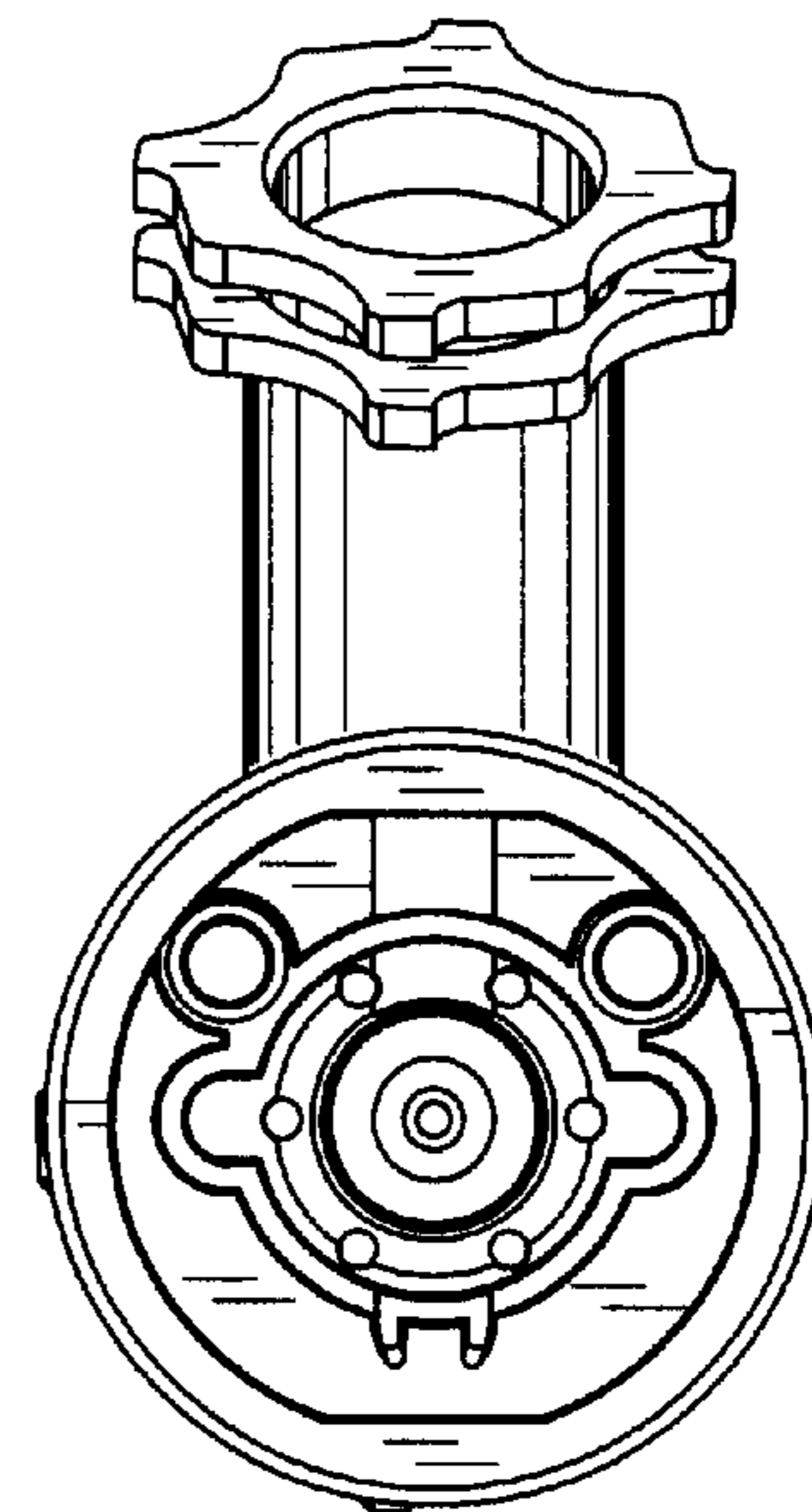
*Fig. 2*



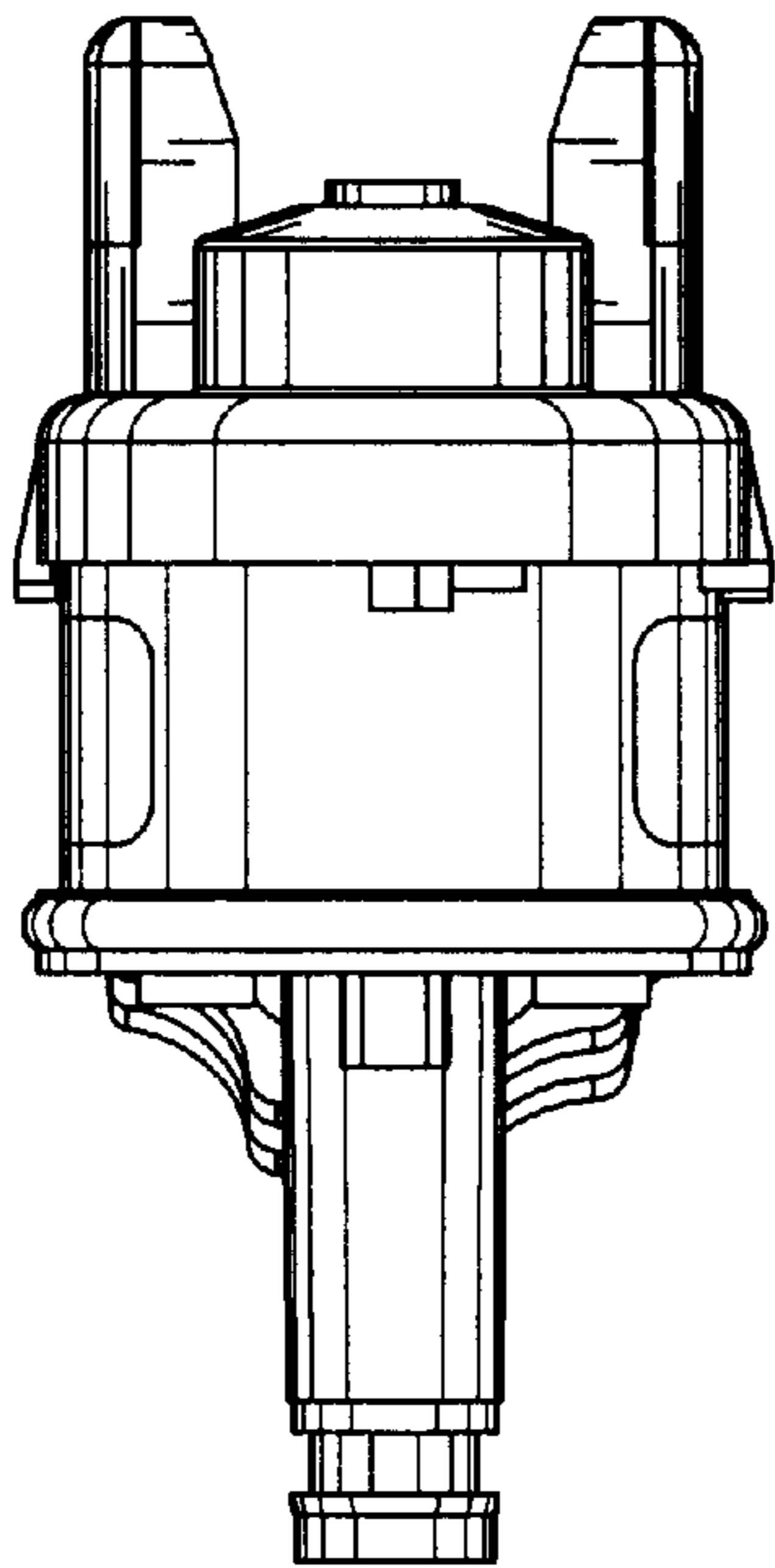
*Fig. 3*



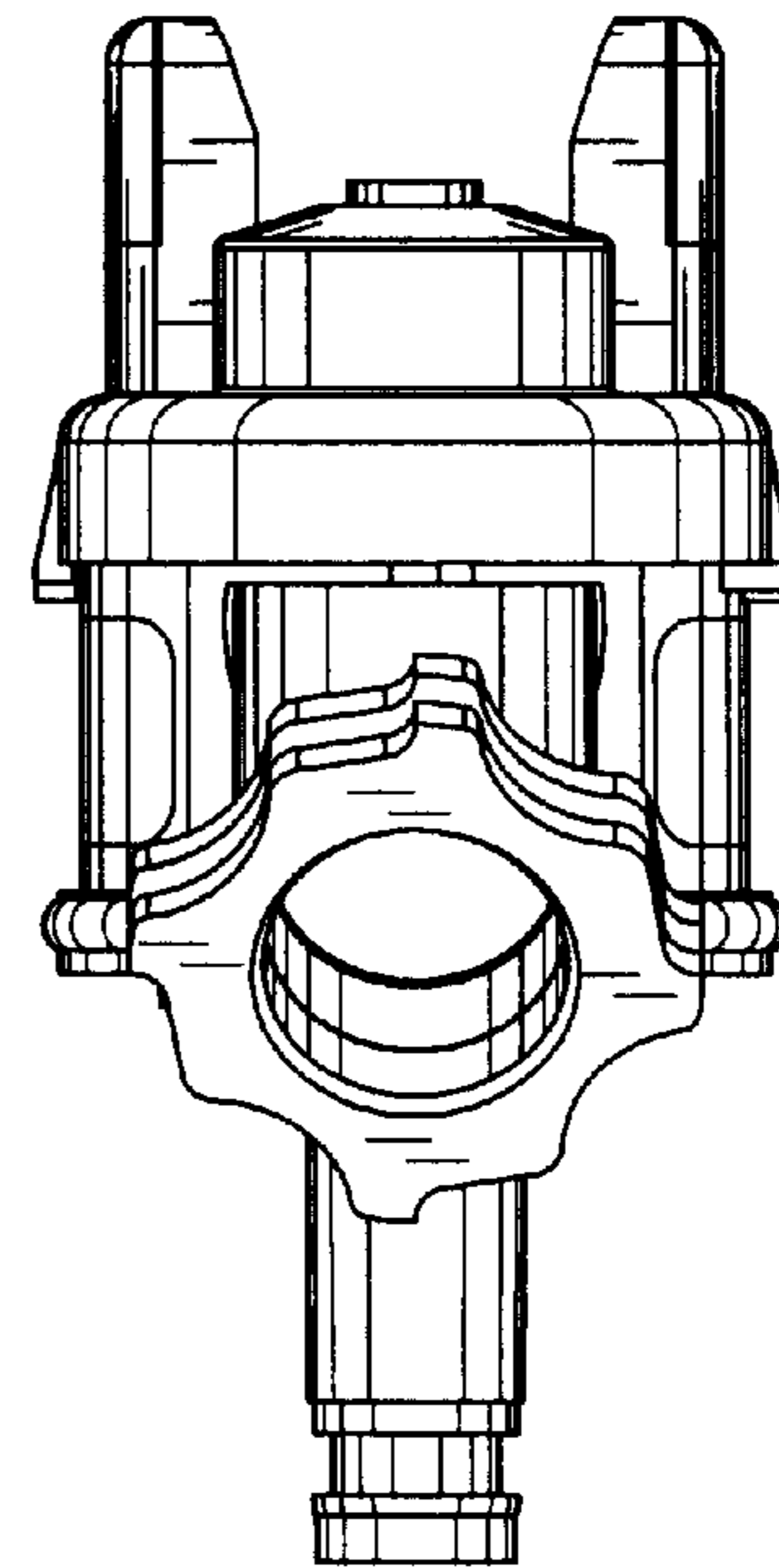
*Fig. 4*



*Fig. 5*



*Fig. 6*



*Fig. 7*