



US00D542375S

(12) **United States Design Patent**  
**Blette et al.**

(10) **Patent No.:** **US D542,375 S**

(45) **Date of Patent:** **\*\* May 8, 2007**

(54) **SPRAY GUN PLATFORM MOUNTING**

(75) Inventors: **Russell E. Blette**, Hastings, MN (US);  
**Franklyn L. Frederickson**, White Bear  
Lake, MN (US); **Stephen C. P. Joseph**,  
Woodbury, MN (US); **Jameel R.**  
**Qiblawi**, North Hudson, WI (US)

(73) Assignee: **3M Innovative Properites Company**,  
St. Paul, MN (US)

(\*\*) Term: **14 Years**

(21) Appl. No.: **29/243,808**

(22) Filed: **Nov. 30, 2005**

(51) **LOC (8) Cl.** ..... **23-01**

(52) **U.S. Cl.** ..... **D23/213**

(58) **Field of Classification Search** ..... D23/213,  
D23/223, 226; 239/525-6, 424, 424.5  
See application file for complete search history.

(56) **References Cited**

**U.S. PATENT DOCUMENTS**

5,620,139 A \* 4/1997 Ziecker ..... 239/124  
5,922,100 A \* 7/1999 Cain et al. .... 65/531  
6,341,737 B1 \* 1/2002 Chang ..... 239/394

6,460,782 B1 \* 10/2002 Wang ..... 239/390  
6,612,507 B1 \* 9/2003 Meyer et al. .... 239/394  
6,971,590 B2 12/2005 Blette et al.  
2005/0145723 A1 7/2005 Blette et al.  
2005/0145724 A1 7/2005 Blette et al.

\* cited by examiner

*Primary Examiner*—Robin Webster

(74) *Attorney, Agent, or Firm*—Pamela L. Stewart

(57) **CLAIM**

The ornamental design for a spray gun platform mounting,  
as shown and described.

**DESCRIPTION**

FIG. 1 is a perspective view of a spray gun platform  
mounting showing our new design for a nozzle mounting  
assembly;

FIG. 2 is a side view thereof;

FIG. 3 is front view thereof;

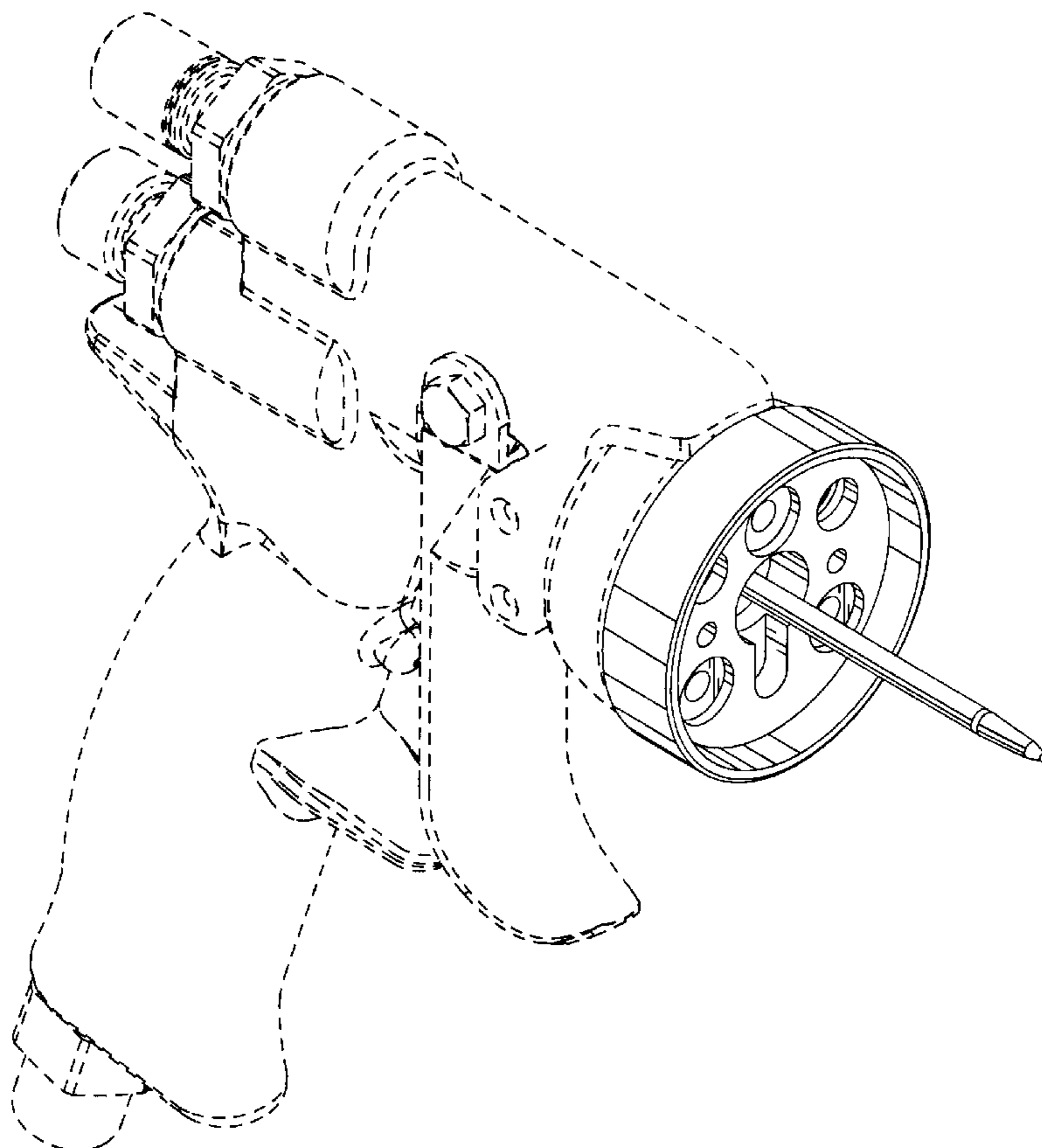
FIG. 4 is a rear view thereof;

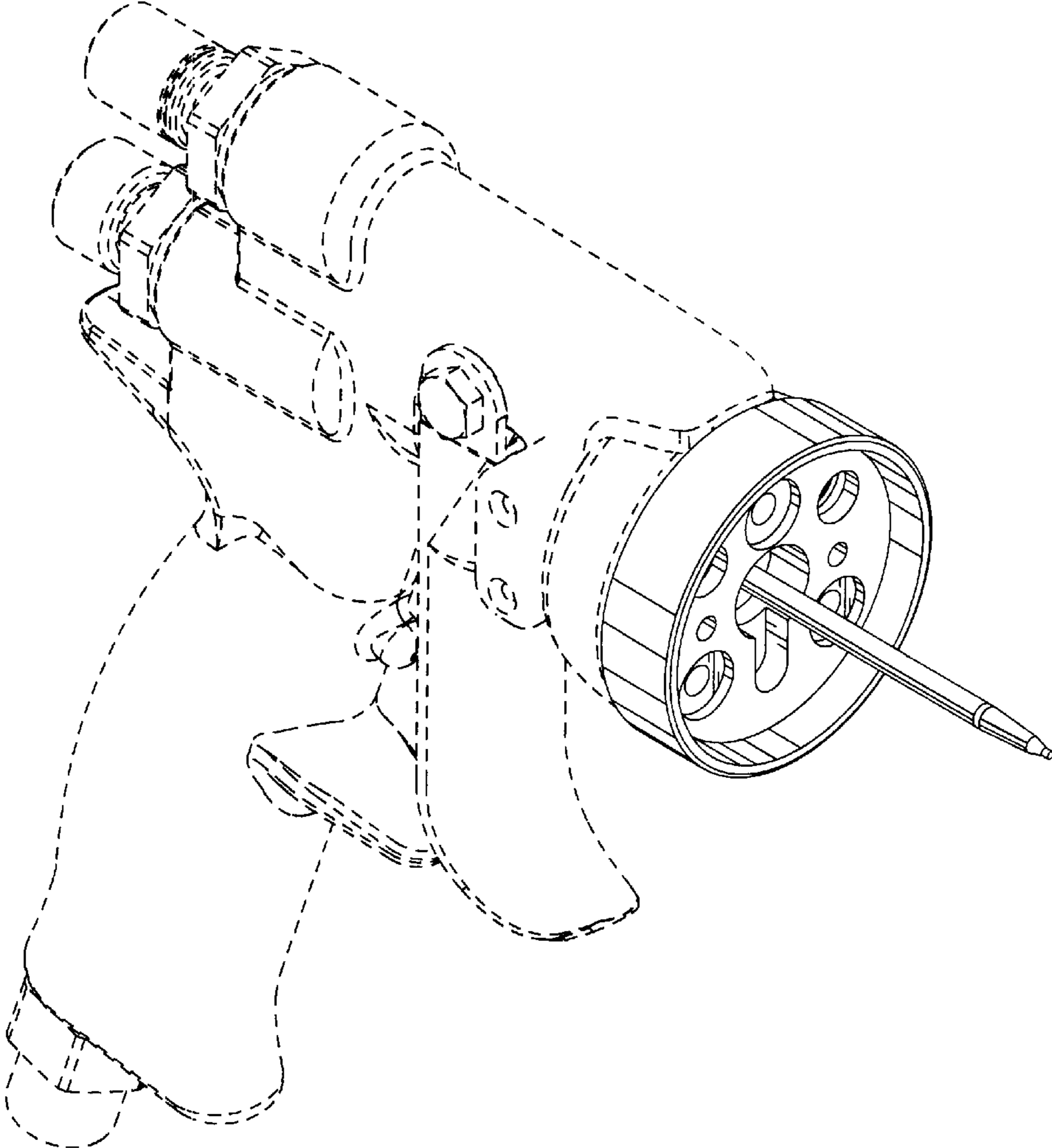
FIG. 5 is a bottom view thereof; and,

FIG. 6 is a top view thereof.

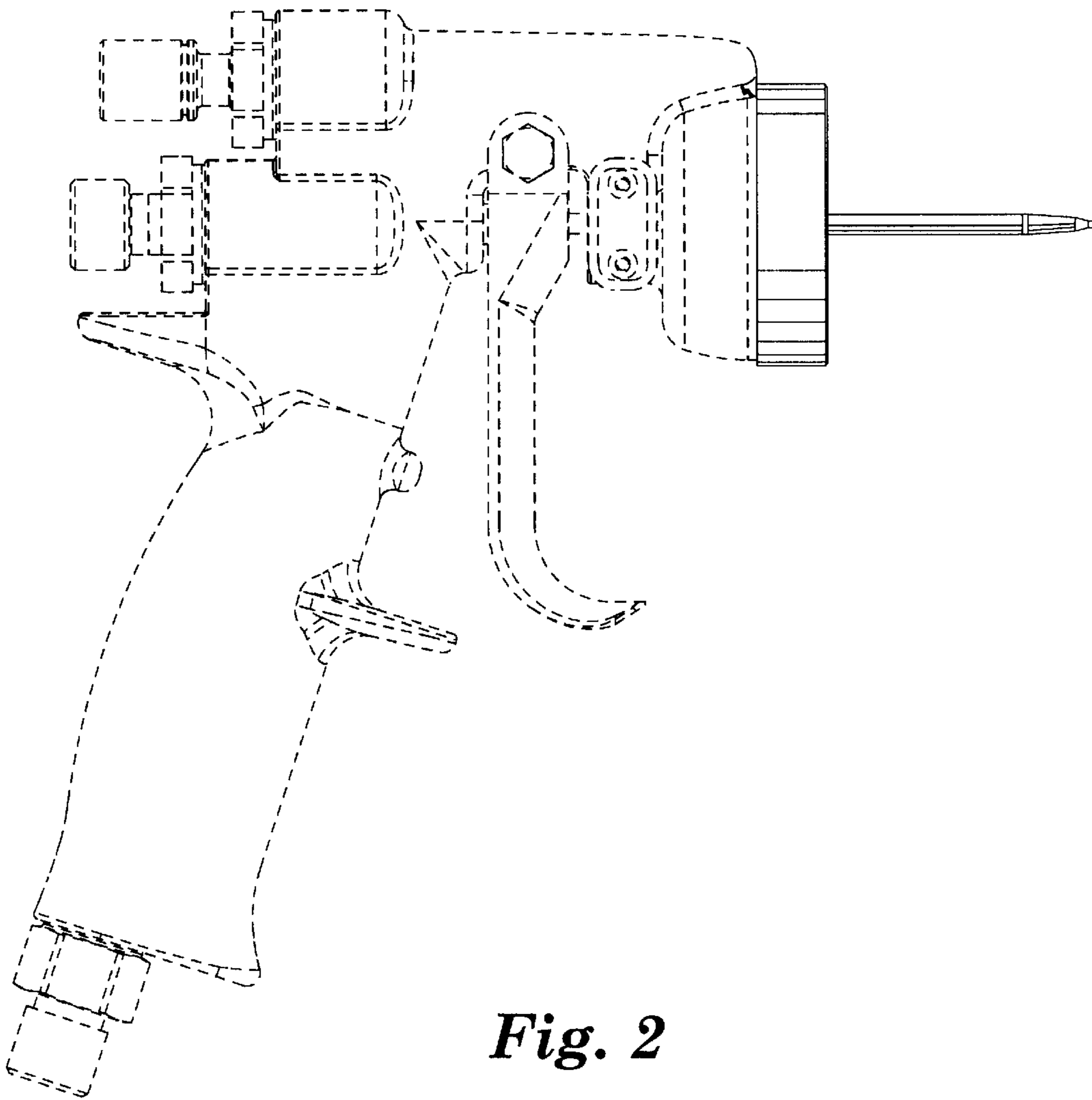
The broken line showing is included for the purpose of  
illustrating and forms no part of the claimed design.

**1 Claim, 4 Drawing Sheets**

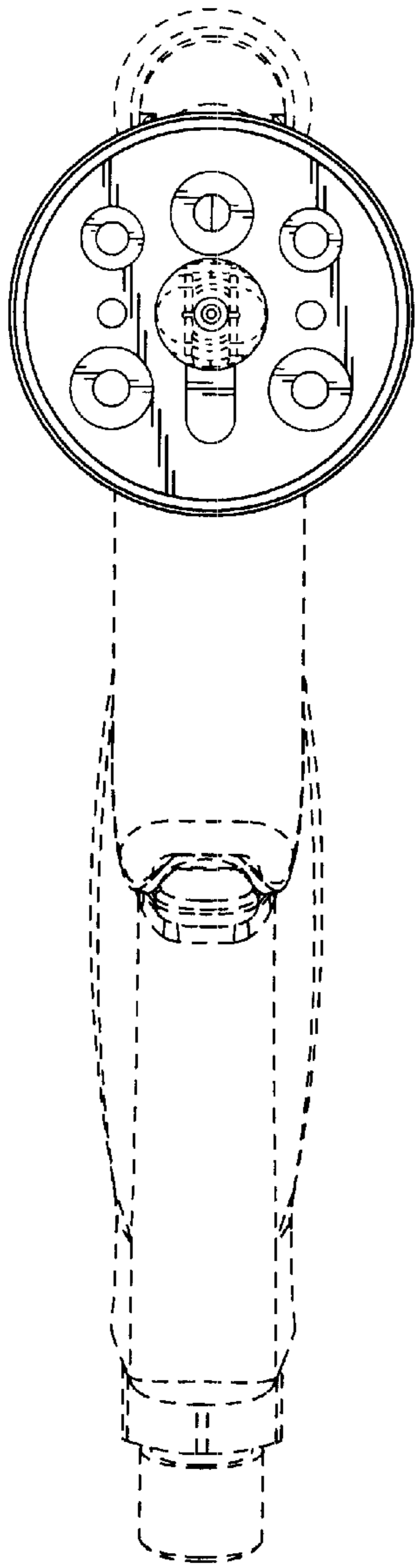




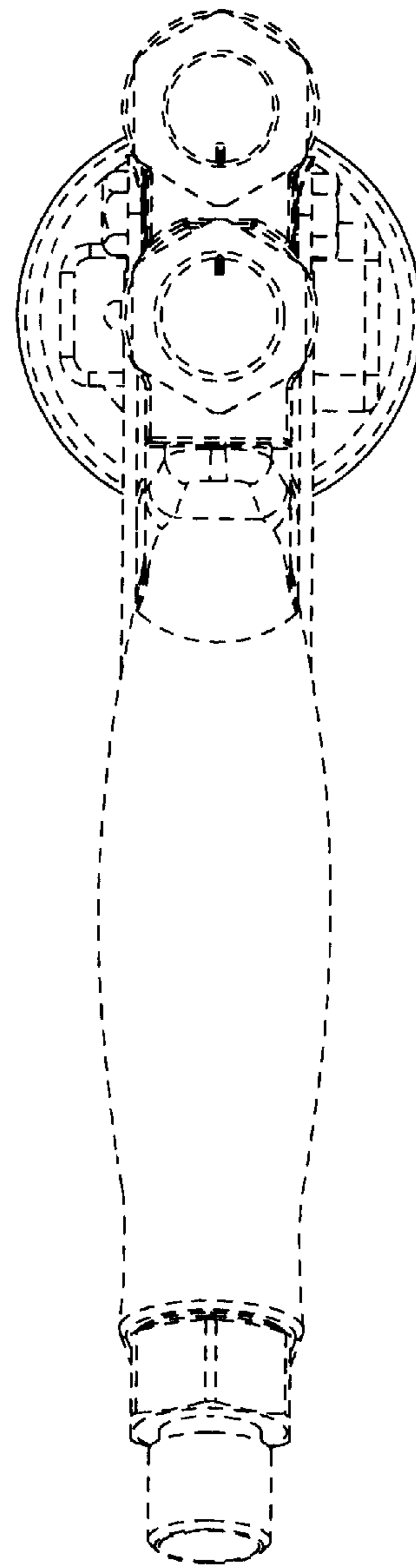
*Fig. 1*



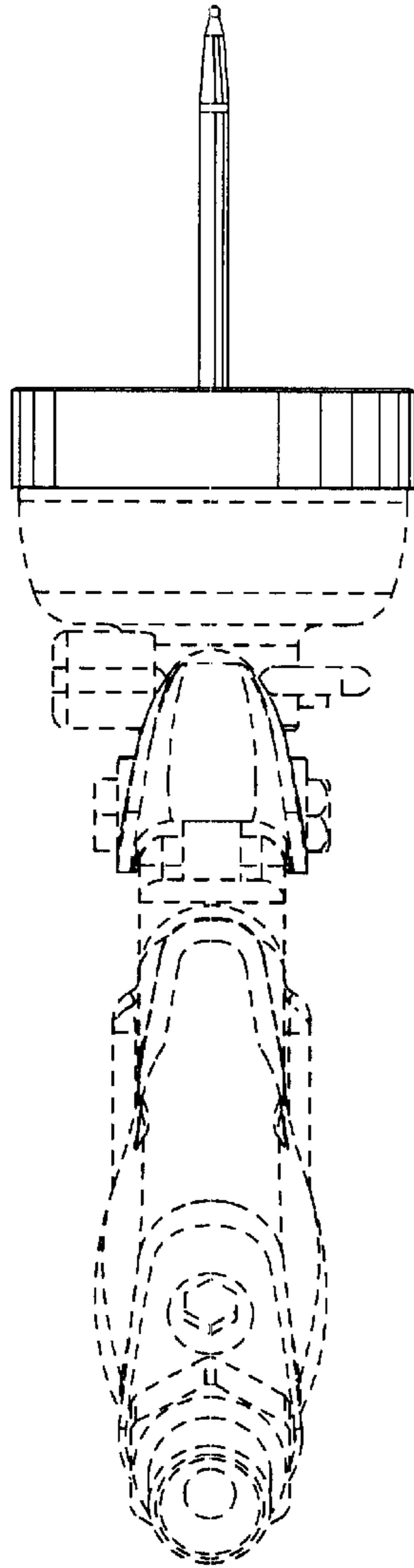
*Fig. 2*



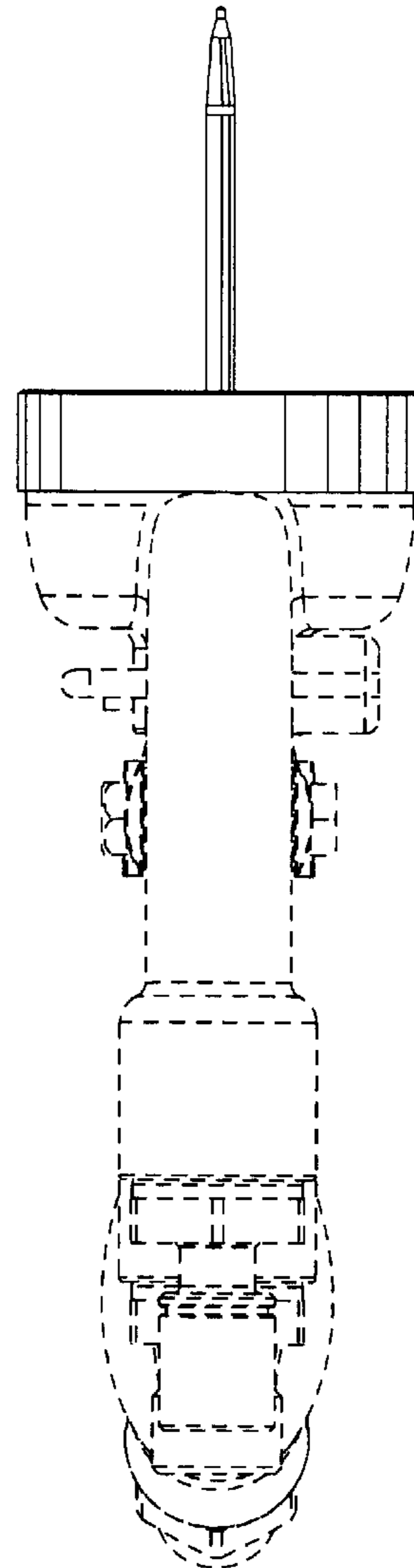
*Fig. 3*



*Fig. 4*



*Fig. 5*



*Fig. 6*