



US00D542373S

(12) **United States Design Patent**  
**Cooper**

(10) **Patent No.:** **US D542,373 S**

(45) **Date of Patent:** **\*\* May 8, 2007**

(54) **GARDEN SPRAYER**

(75) Inventor: **Vincent P. Cooper**, Baltimore, MD  
(US)

(73) Assignee: **Black & Decker Inc.**, Newark, DE  
(US)

(\*\*) Term: **14 Years**

(21) Appl. No.: **29/245,860**

(22) Filed: **Dec. 29, 2005**

(51) **LOC (8) Cl.** ..... **23-01**

(52) **U.S. Cl.** ..... **D22/225; D8/2**

(58) **Field of Classification Search** ..... D23/213,  
D23/223, 226, 225; D8/2; 239/320, 308,  
239/310

See application file for complete search history.

(56) **References Cited**

**U.S. PATENT DOCUMENTS**

3,904,116	A	9/1975	Jones et al.	
3,964,689	A	* 6/1976	Horvath, Jr.	239/318
4,225,087	A	9/1980	Lawlor	
4,621,770	A	11/1986	Sayen	
4,790,454	A	* 12/1988	Clark et al.	222/136
4,790,483	A	12/1988	Gill	
4,801,088	A	1/1989	Baker	
4,834,293	A	5/1989	Lichfield	
4,925,105	A	5/1990	Lin	
5,069,391	A	12/1991	Seasholtz	
5,082,185	A	1/1992	Evans	
5,344,075	A	9/1994	Springer et al.	
5,395,046	A	3/1995	Knobbe et al.	
D366,926	S	2/1996	McGinnity et al.	

5,755,361	A	5/1998	Restive et al.	
5,938,116	A	8/1999	Restive et al.	
5,964,412	A	10/1999	Thomas	
6,209,800	B1	4/2001	Thomas	
6,394,365	B1	5/2002	Jeanfreau	
6,779,745	B2	* 8/2004	Alexander et al.	239/588

\* cited by examiner

*Primary Examiner*—Robin Webster

(74) *Attorney, Agent, or Firm*—John Yun; Bruce S. Shapiro; Wesley W. Muller

(57) **CLAIM**

The ornamental design for a garden sprayer, as shown and described.

**DESCRIPTION**

FIG. 1 is a perspective view of a garden sprayer showing my new design.

FIG. 2 is a front view of the garden sprayer according to FIG. 1.

FIG. 3 is a rear view of the garden sprayer according to FIG. 1.

FIG. 4 is a right side view of the garden sprayer according to FIG. 1.

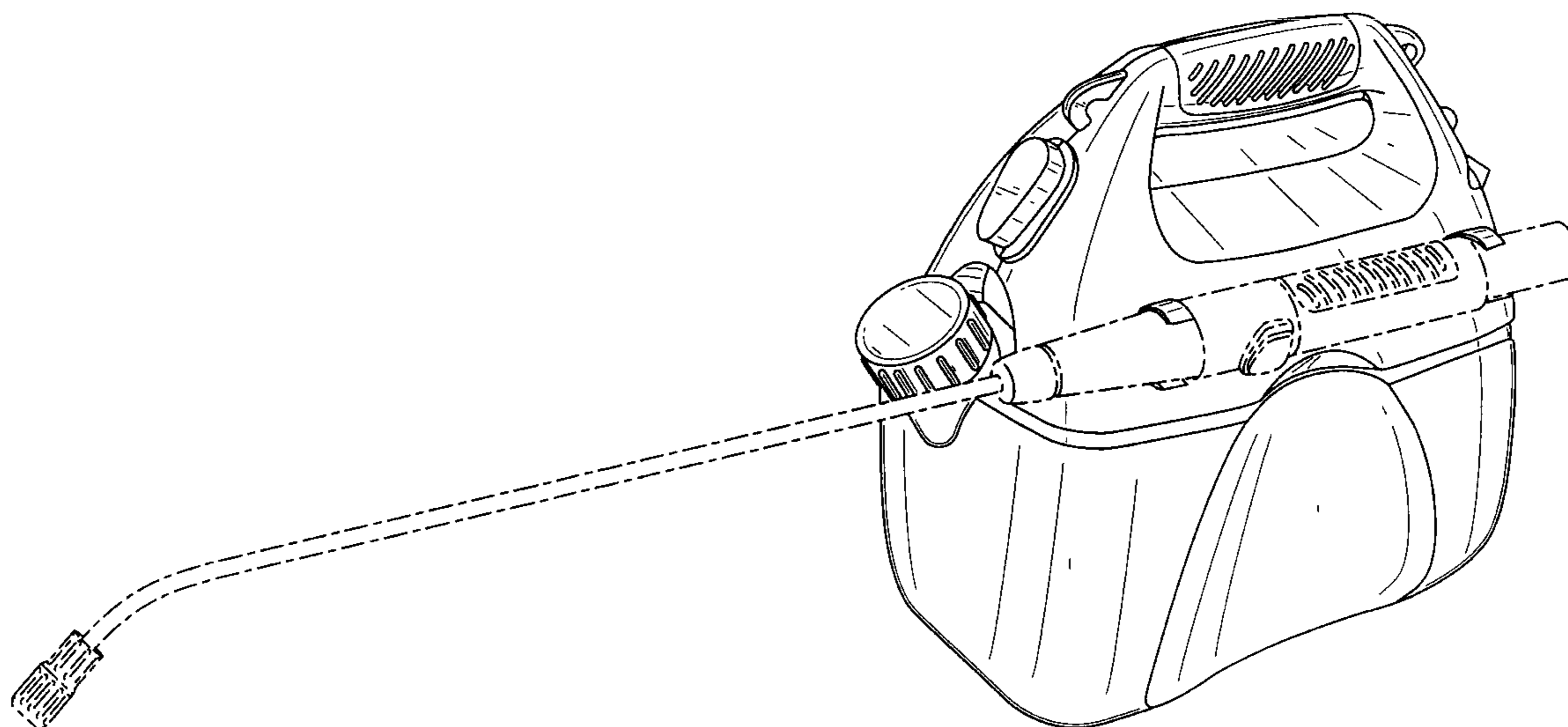
FIG. 5 is a left side view of the garden sprayer according to FIG. 1.

FIG. 6 is a top view of the garden sprayer according to FIG. 1; and,

FIG. 7 is a bottom view of the garden sprayer according to FIG. 1.

The broken line showing is included for the purpose of illustrating and forms no part of the claimed design.

**1 Claim, 6 Drawing Sheets**



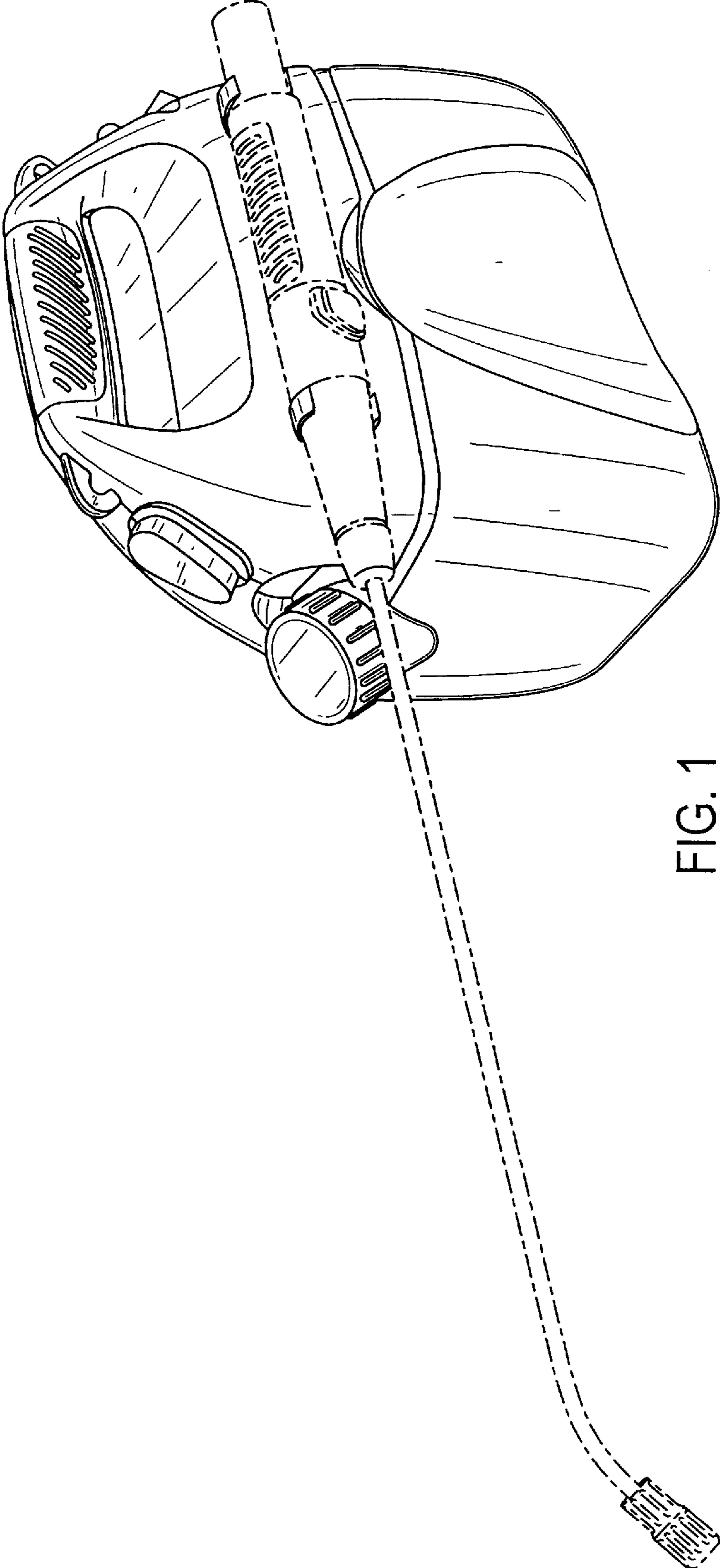


FIG. 1

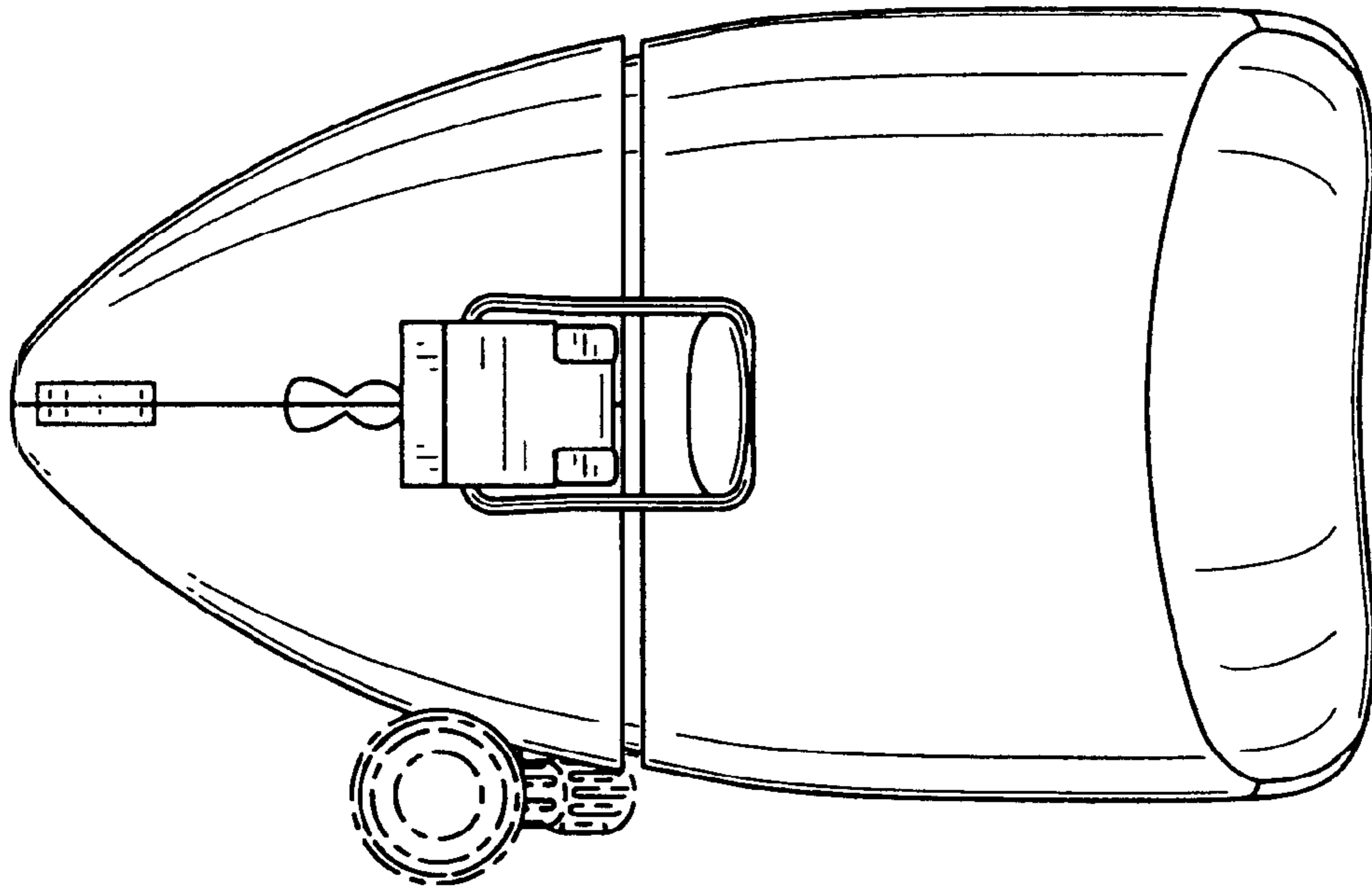


FIG. 2

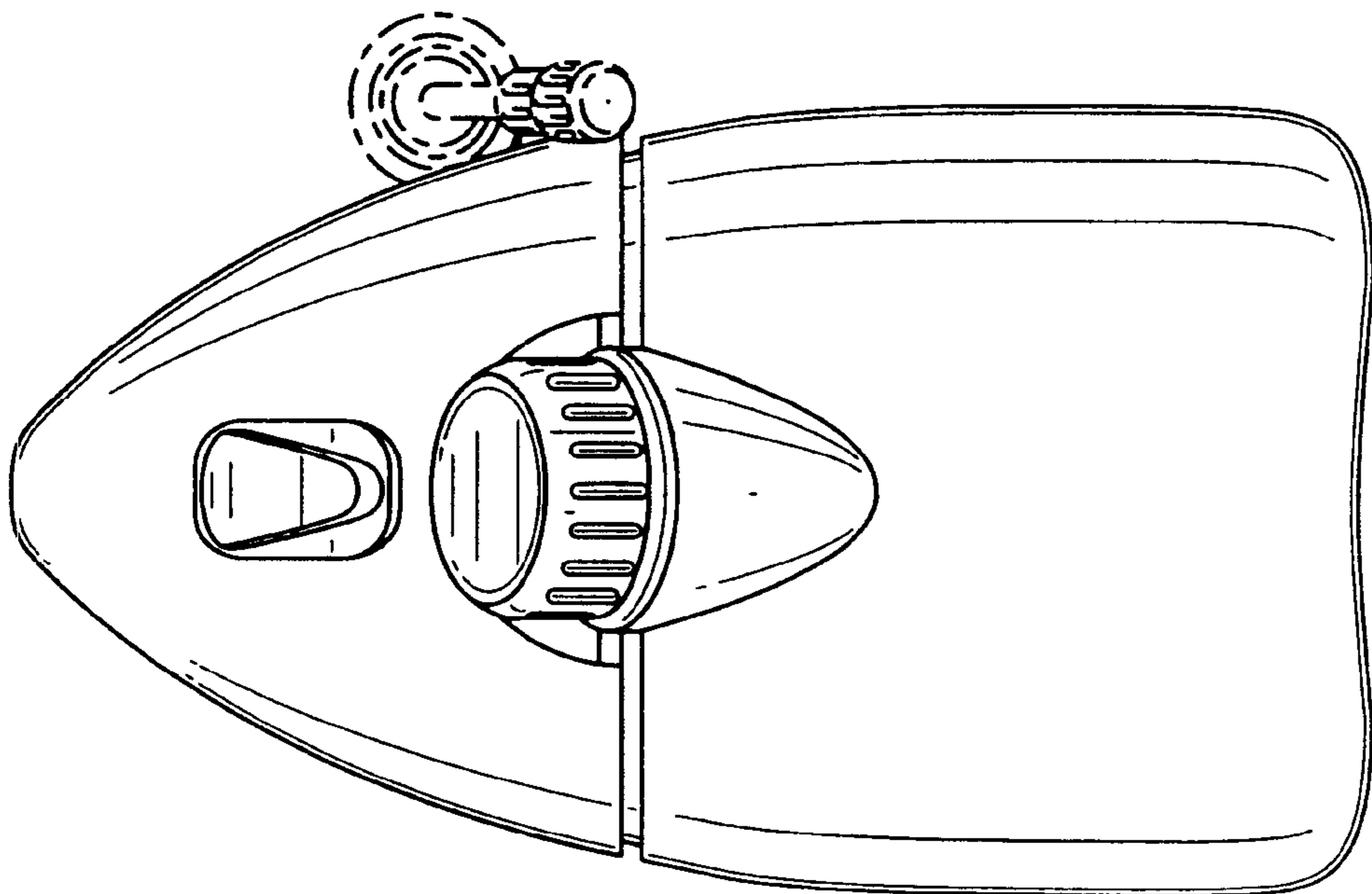


FIG. 3

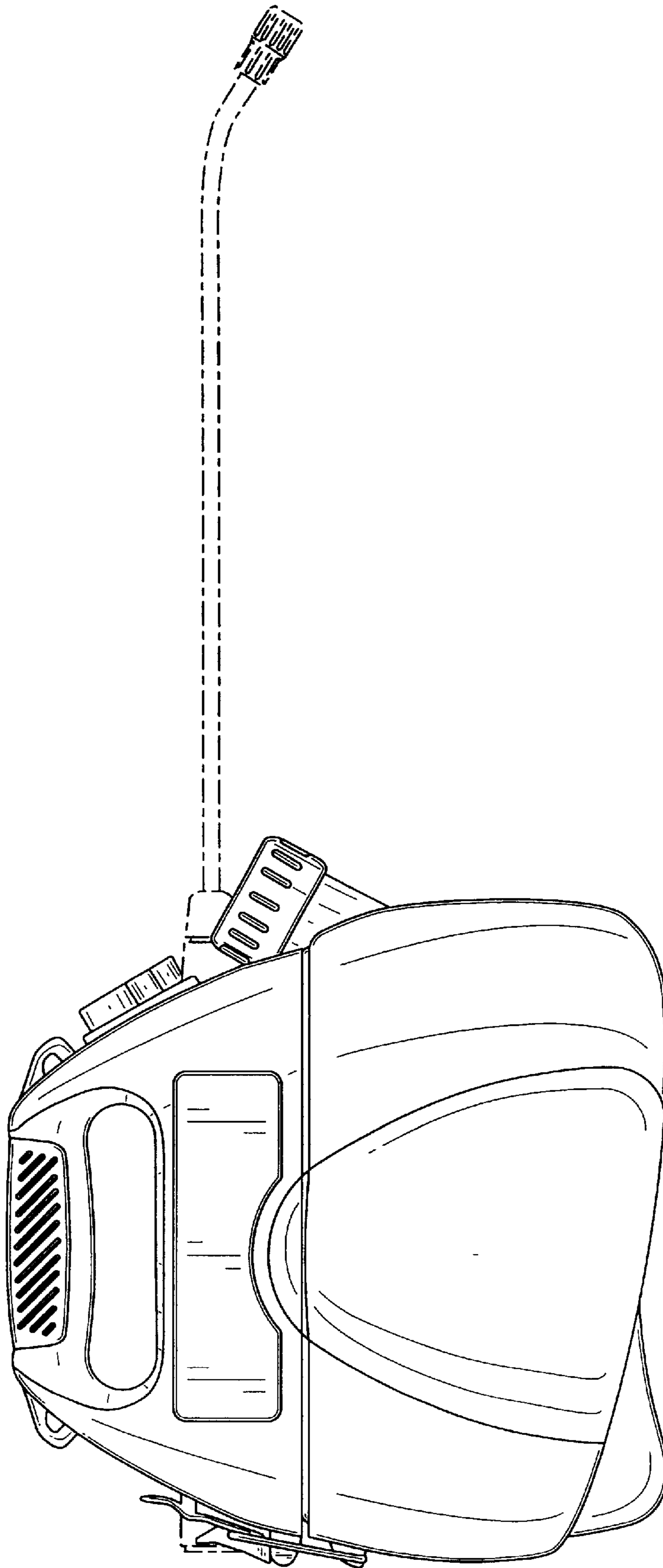


FIG.4

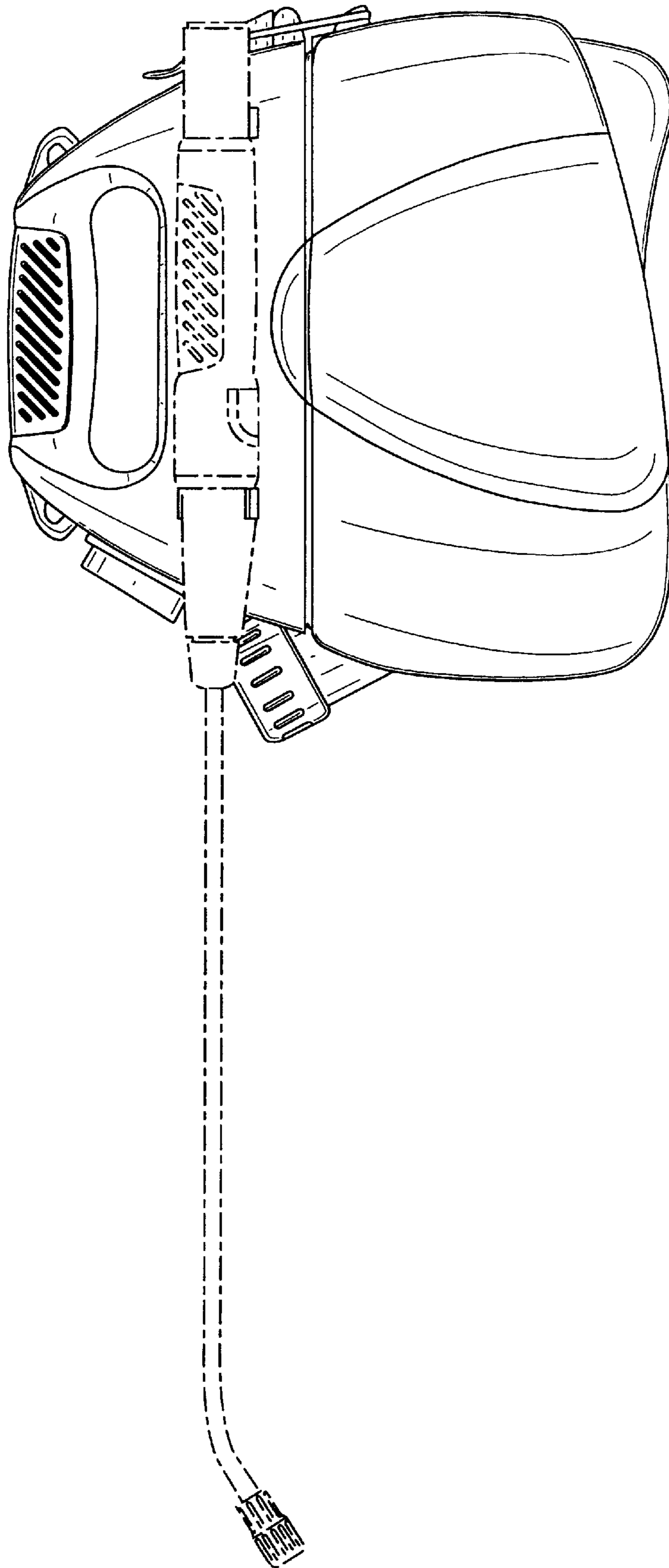


FIG. 5

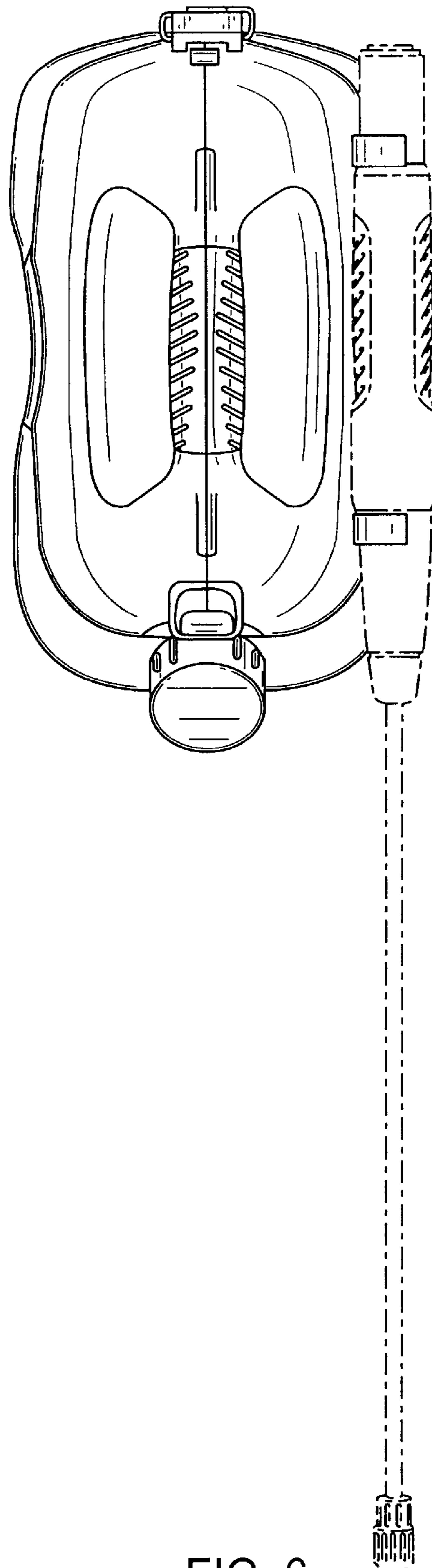


FIG. 6

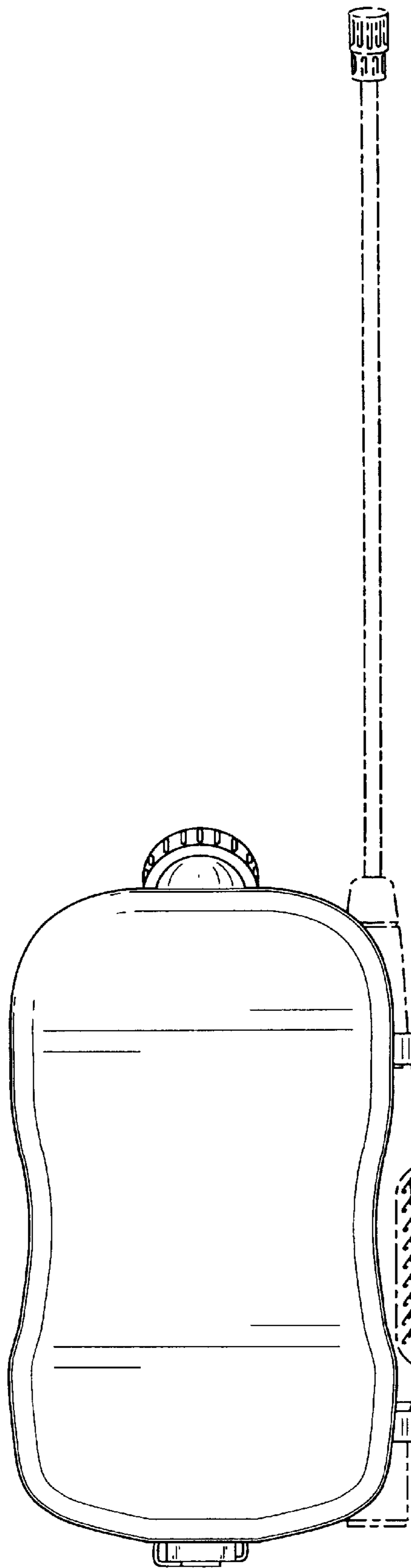


FIG. 7