



US00D542372S

(12) **United States Design Patent**
Strickland

(10) **Patent No.:** **US D542,372 S**

(45) **Date of Patent:** **** May 8, 2007**

(54) **FISH HOOK KEEPER STRAP**

(76) Inventor: **George Strickland**, 96 Keepaway La.,
West Newfield, ME (US) 04095

(**) Term: **14 Years**

(21) Appl. No.: **29/254,729**

(22) Filed: **Feb. 28, 2006**

(51) **LOC (8) Cl.** **22-05**

(52) **U.S. Cl.** **D22/134**

(58) **Field of Classification Search** D22/134,
D22/149, 199; D3/215, 221, 207, 327, 328;
D2/624, 627

See application file for complete search history.

(56) **References Cited**

U.S. PATENT DOCUMENTS

- D315,056 S * 3/1991 Seitz D3/207
- D344,177 S * 2/1994 Mennie et al. D2/610
- D462,523 S * 9/2002 Kalbach D3/327
- D471,006 S * 3/2003 French D3/221

- D505,785 S * 6/2005 Woody D3/215
- D530,095 S * 10/2006 Herzberg D3/327

* cited by examiner

Primary Examiner—Catherine R. Oliver

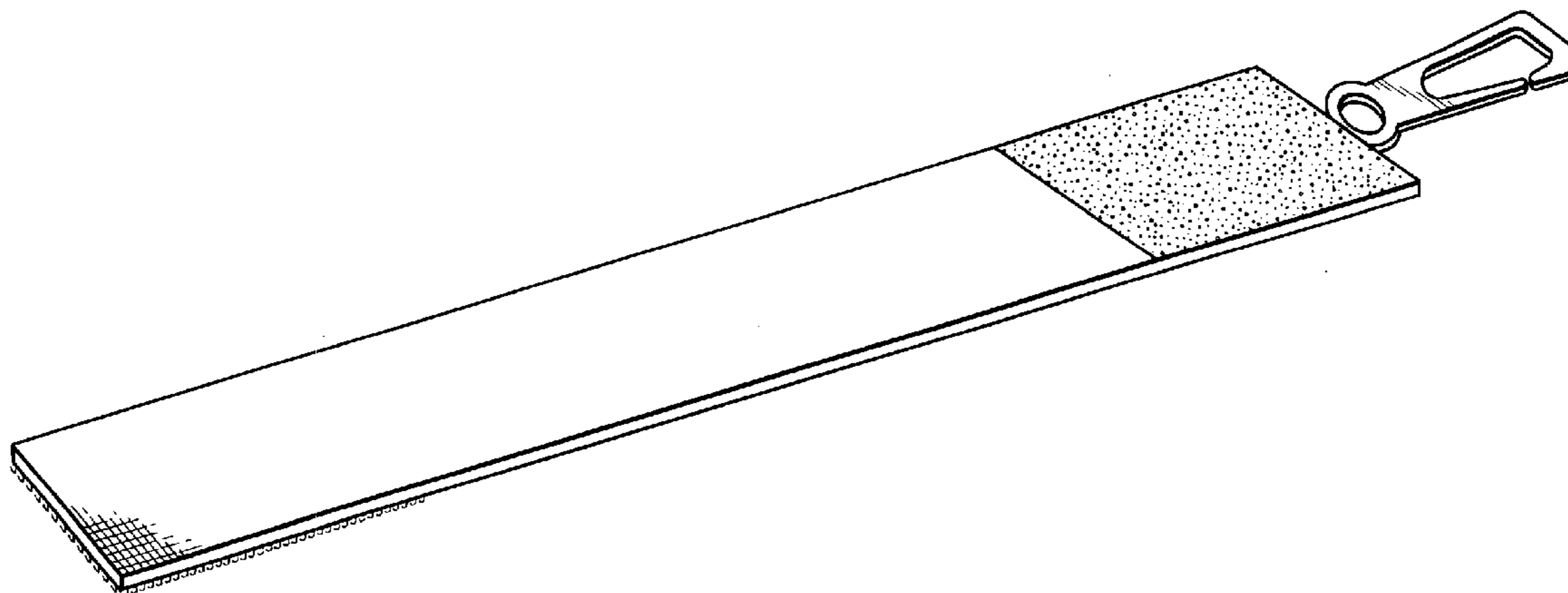
(57) **CLAIM**

The ornamental design for a fish hook keeper strap, as shown and described.

DESCRIPTION

FIG. 1 is top perspective view of the fish hook keeper strap according to the invention;
 FIG. 2 is a front view of the fish hook keeper strap of FIG. 1;
 FIG. 3 is a rear view of the fish hook keeper strap of FIG. 1;
 FIG. 4 is a top plan view of the fish hook keeper strap of FIG. 1; and,
 FIG. 5 is a bottom plan view of the fish hook keeper strap of FIG. 1.

1 Claim, 1 Drawing Sheet



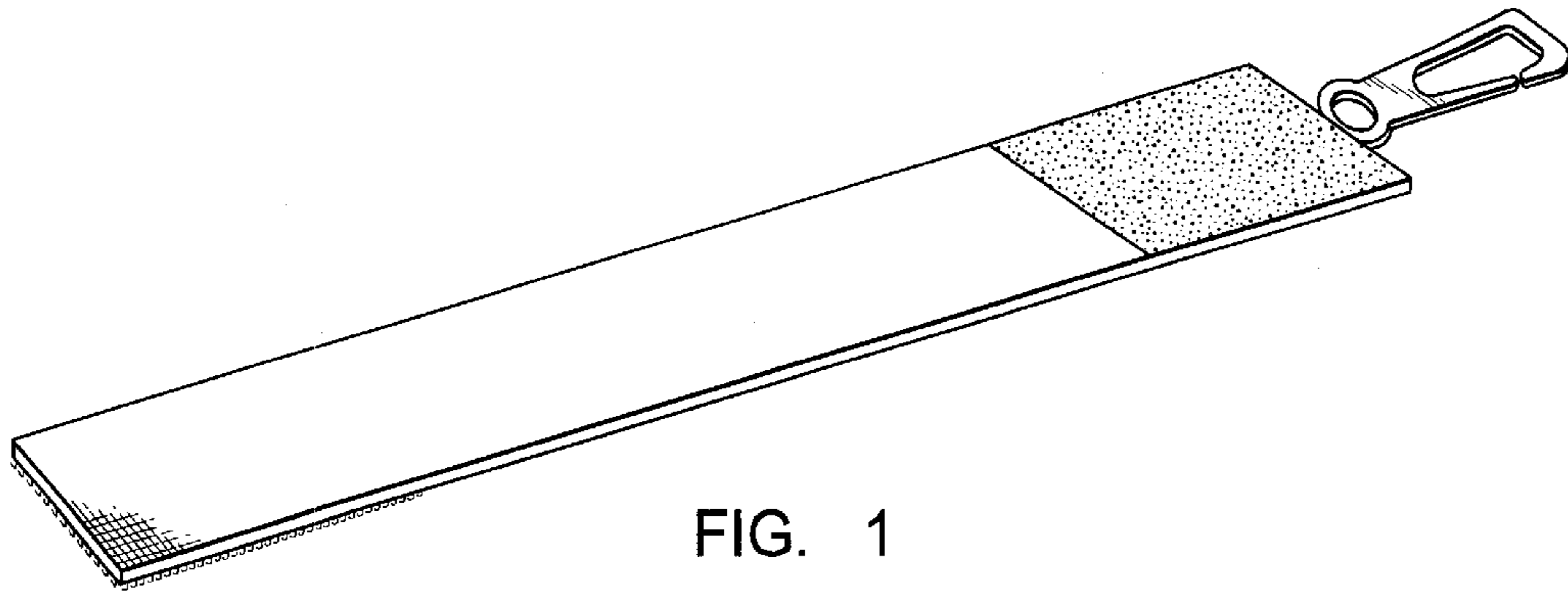


FIG. 1



FIG. 2



FIG. 3



FIG. 4



FIG. 5