

US00D542367S

(12) **United States Design Patent** (10) **Patent No.:** **US D542,367 S**  
**Hoffman et al.** (45) **Date of Patent:** **\*\* May 8, 2007**

(54) **GOLF CLUB HEAD**

(75) Inventors: **Joseph Henry Hoffman**, Carlsbad, CA (US); **Scott Taylor**, Oceanside, CA (US); **Todd P. Beach**, San Diego, CA (US); **Robert Nunez**, San Pedro, CA (US); **Craig Kevin Barez**, Temecula, CA (US); **Thomas Olsavsky**, Oceanside, CA (US); **Sean Toulon**, Vista, CA (US)

(73) Assignee: **Taylor Made Golf Company, Inc.**, Carlsbad, CA (US)

(\*\*) Term: **14 Years**

(21) Appl. No.: **29/268,327**

(22) Filed: **Nov. 2, 2006**

**Related U.S. Application Data**

(63) Continuation of application No. 29/256,624, filed on Mar. 21, 2006.

(51) **LOC (8) Cl.** ..... **21-02**

(52) **U.S. Cl.** ..... **D21/759**

(58) **Field of Classification Search** ..... D21/733, D21/752, 759; 473/324–331, 343–346  
See application file for complete search history.

(56) **References Cited**

**U.S. PATENT DOCUMENTS**

D482,093 S	11/2003	Imamoto	
D501,235 S	1/2005	Imamoto	
D513,051 S	12/2005	Barez et al.	
D514,185 S	1/2006	Barez et al.	
D516,652 S	3/2006	Barez et al.	
D519,177 S	4/2006	Barez et al.	
D519,589 S	4/2006	Barez et al.	
D520,090 S	5/2006	Imamoto	
D520,586 S	* 5/2006	Bingman	..... D21/759
D524,892 S	7/2006	Wilson et al.	
D527,064 S	* 8/2006	Breier et al.	..... D21/752
D533,611 S	* 12/2006	Mahaffey et al.	..... D21/752

**OTHER PUBLICATIONS**

“R5 Dual Driver Type D,” <http://www.tmgolfshop.com/r5d.html>, 1 p., printed Jul. 12, 2006.

“R5 Dual Driver Type N,” <http://www.tmgolfshop.com/r5n.html>, 1 p., printed Jul. 12, 2006.

“R7 Quad Driver,” <http://www.tmgolfshop.com/r7quad.html>, 2 pp., printed Jul. 12, 2006.

“R7 HT Quad Driver,” <http://www.tmgolfshop.com/r7quadht.html>, 2 pp., printed Jul. 12, 2006.

“TaylorMade R7 TP Fairway Wood,” <http://www.eproline-golf.com/tayr7tpfw.aspx>, 2 pp., printed Jul. 13, 2006.

“TaylorMade r5 Dual Fairway Woods,” [http://www.bhmgolf.com/desc.ydev?prod\\_id=8172](http://www.bhmgolf.com/desc.ydev?prod_id=8172), 2 pp., printed Jul. 13, 2006.

(Continued)

*Primary Examiner*—Mitchell Siegel

(74) *Attorney, Agent, or Firm*—Klarquist Sparkman, LLP

(57) **CLAIM**

We claim the ornamental design for a golf club head, as shown and described.

**DESCRIPTION**

FIG. 1 is a perspective view of a golf club head, as viewed from the rear, bottom, and one side thereof, according to one embodiment.

FIG. 2 is a bottom plan view of the golf club head of FIG. 1.

FIG. 3 is a side elevation view of the heel of the golf club head of FIG. 1.

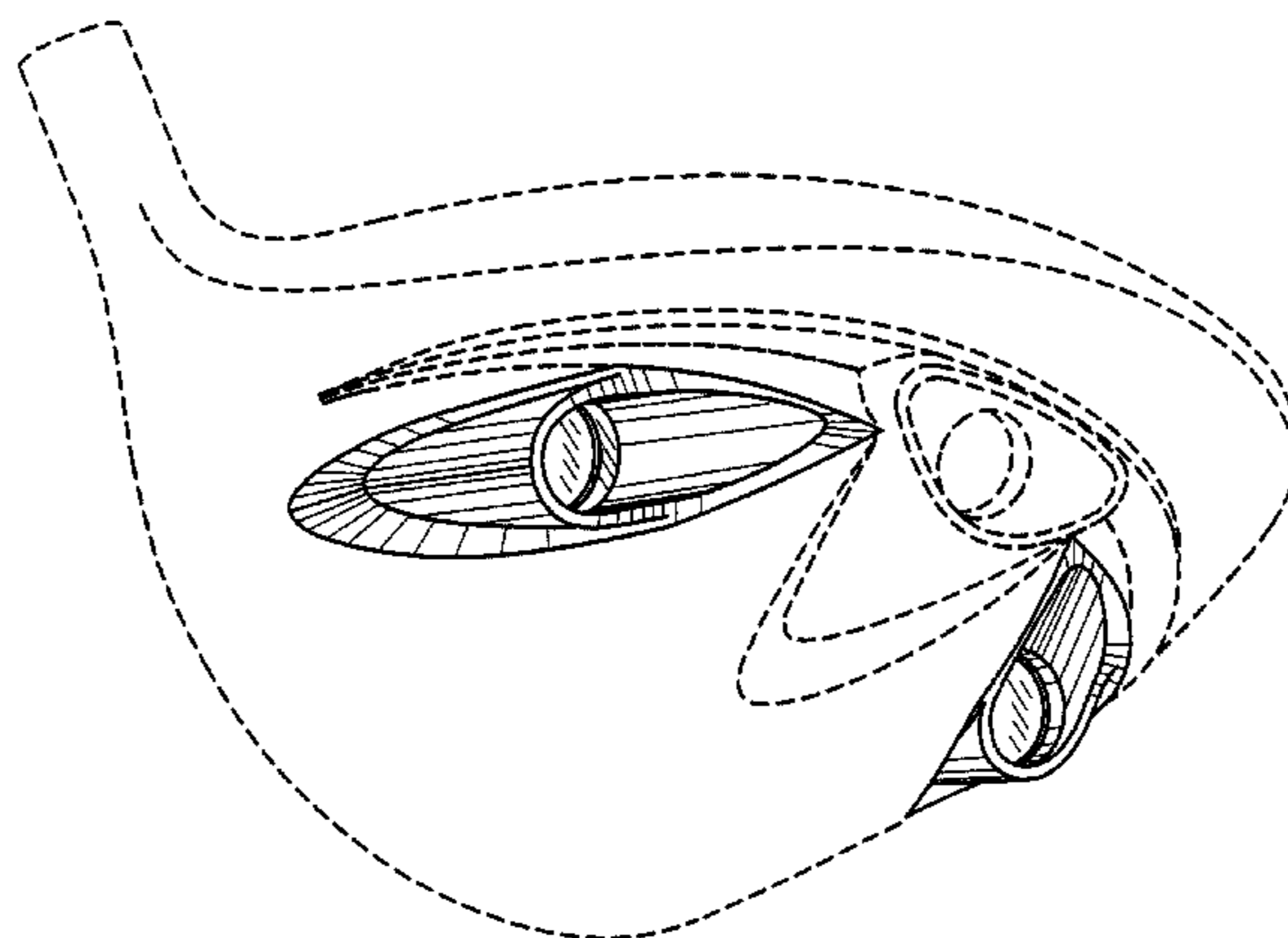
FIG. 4 is a side elevation view of the toe of the golf club head of FIG. 1.

FIG. 5 is a rear elevation view of the golf club head of FIG. 1.

FIG. 6 is a top plan view of the golf club head of FIG. 1; and, FIG. 7 is a front elevation view of the golf club head of FIG. 1.

The dashed lines in the drawings are for illustrative purposes only and form no part of the claimed design.

**1 Claim, 4 Drawing Sheets**



OTHER PUBLICATIONS

“r5 dual Type N,” TaylorMade Rescue Dual Catalog #88357101, 3 pp., 2005.

“r7 TP Fairway Woods,” TaylorMade Rescue Dual Catalog #88357101, 3 pp., 2005.

“r7 Quad Driver,” TaylorMade 2005 Catalog #35767001, p. 3, 2005.

“r5 Dual TI Fairwood Woods,” TaylorMade 2005 Catalog #35767001, p. 10, 2005.

\* cited by examiner

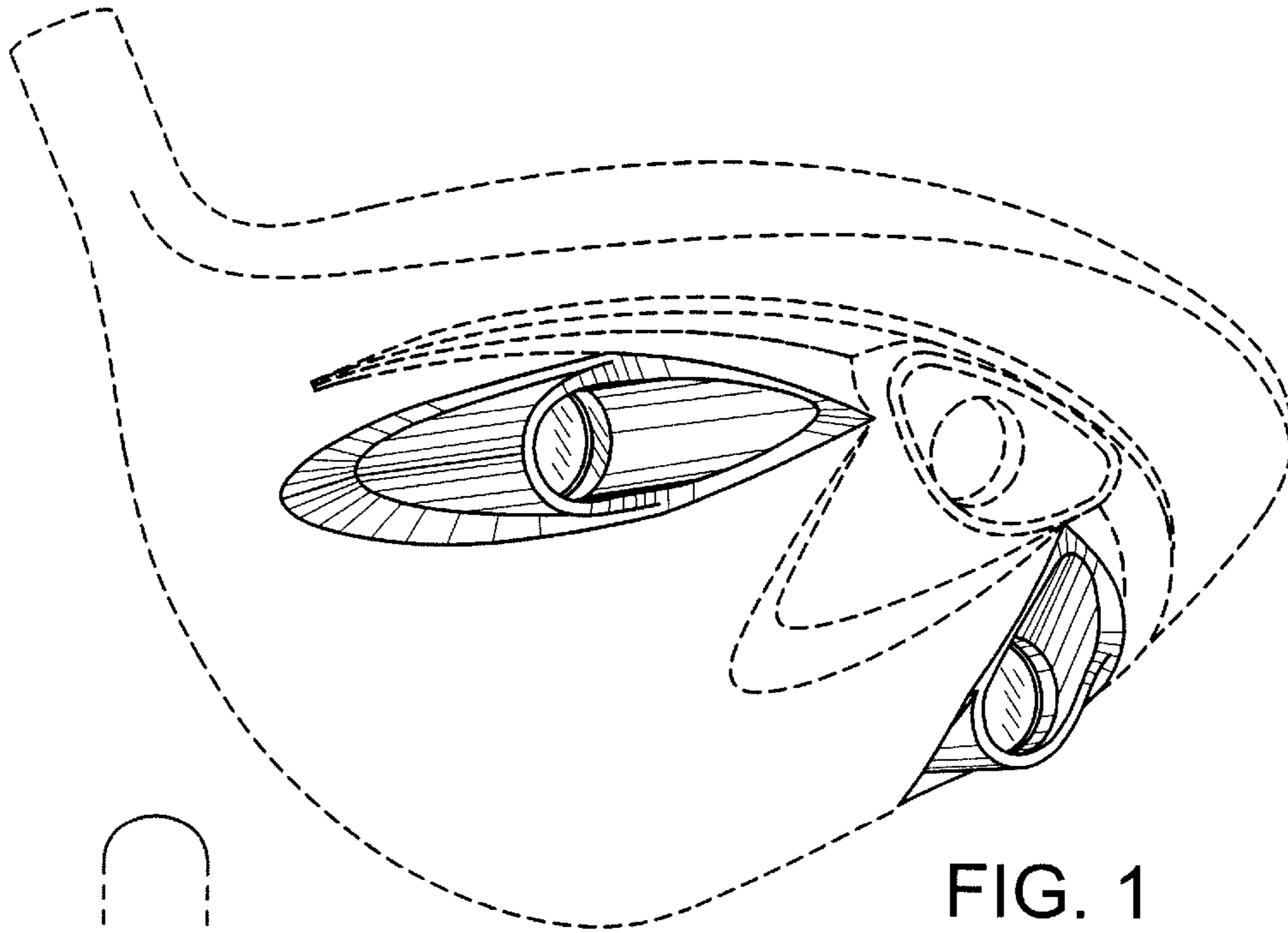


FIG. 1

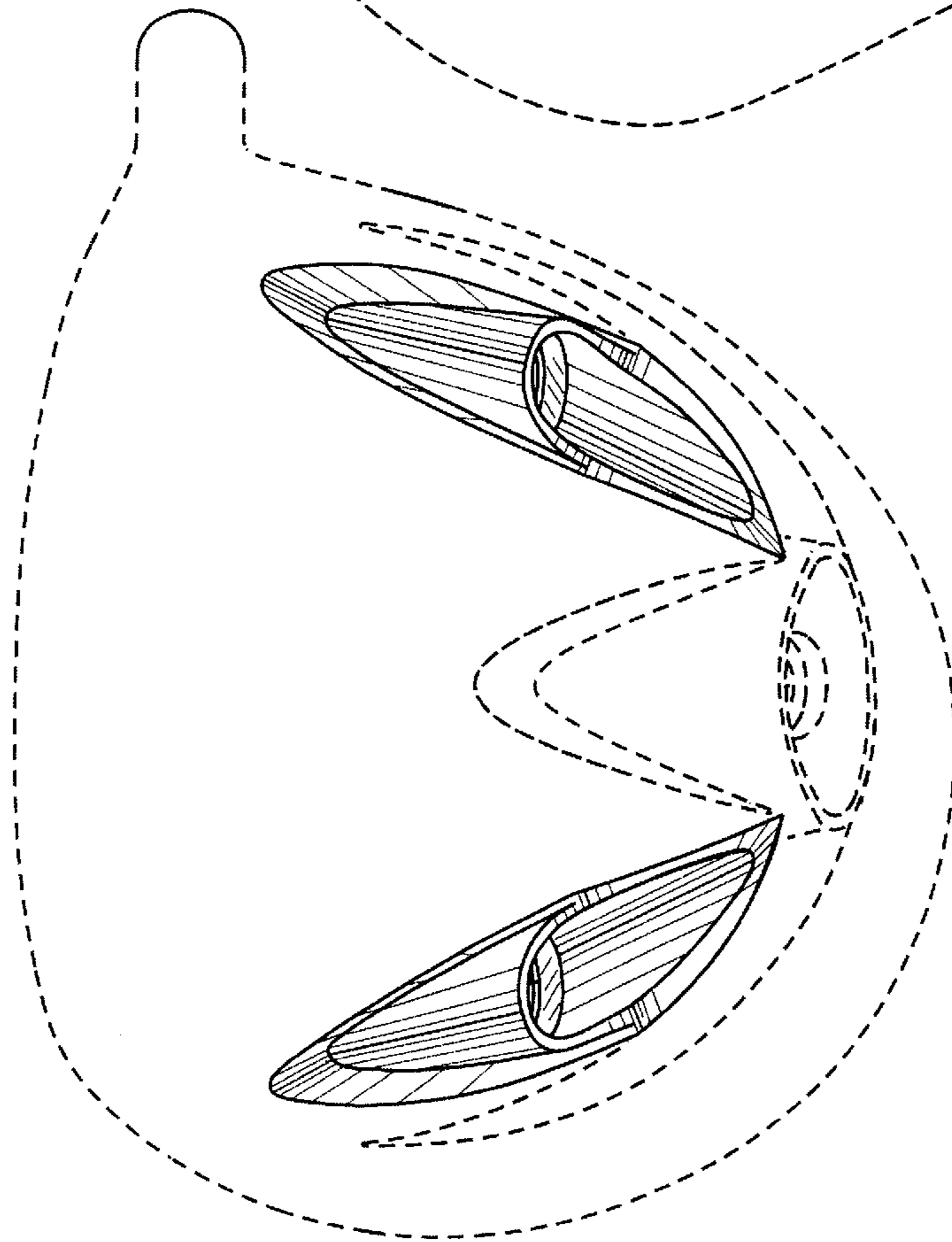


FIG. 2

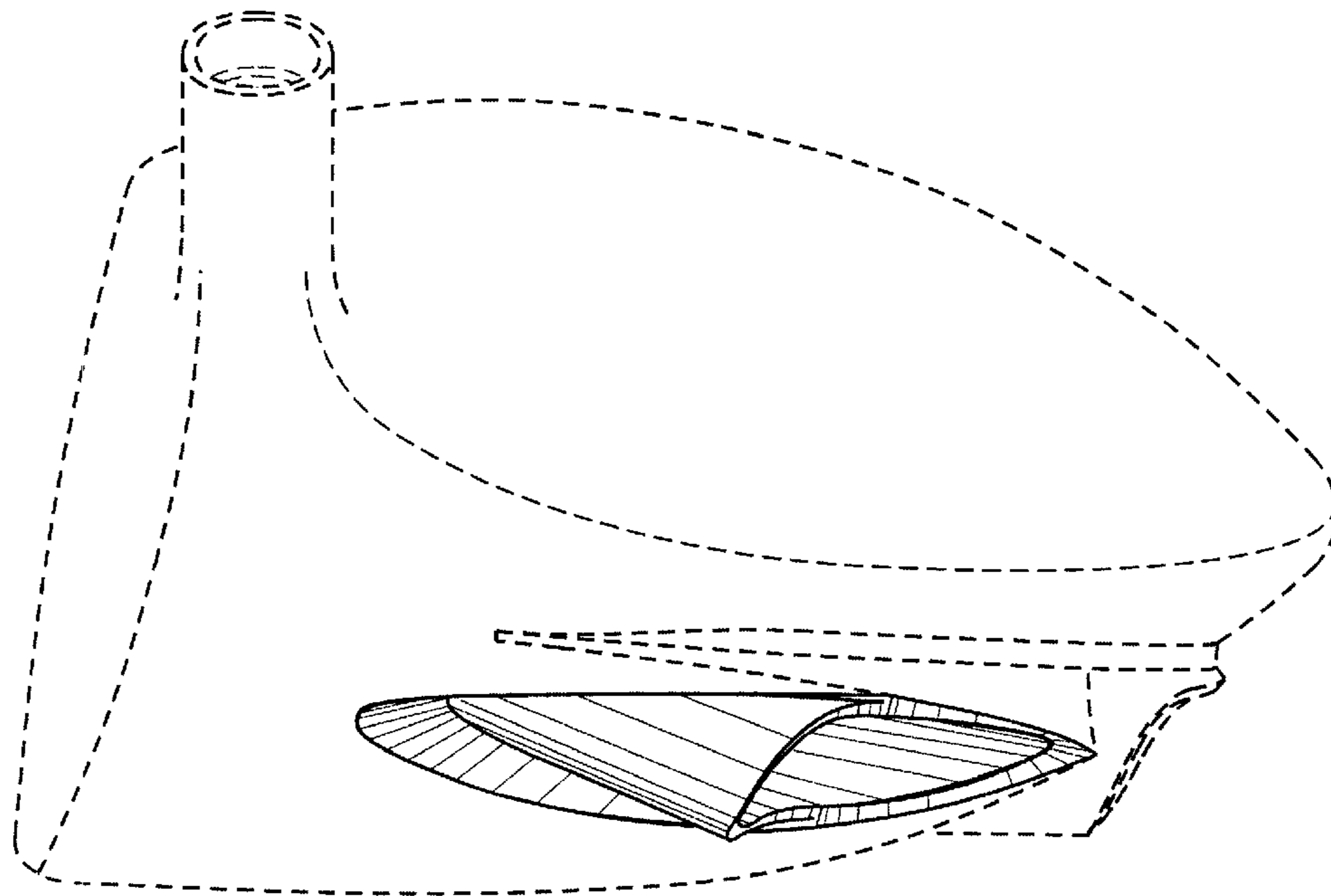


FIG. 3

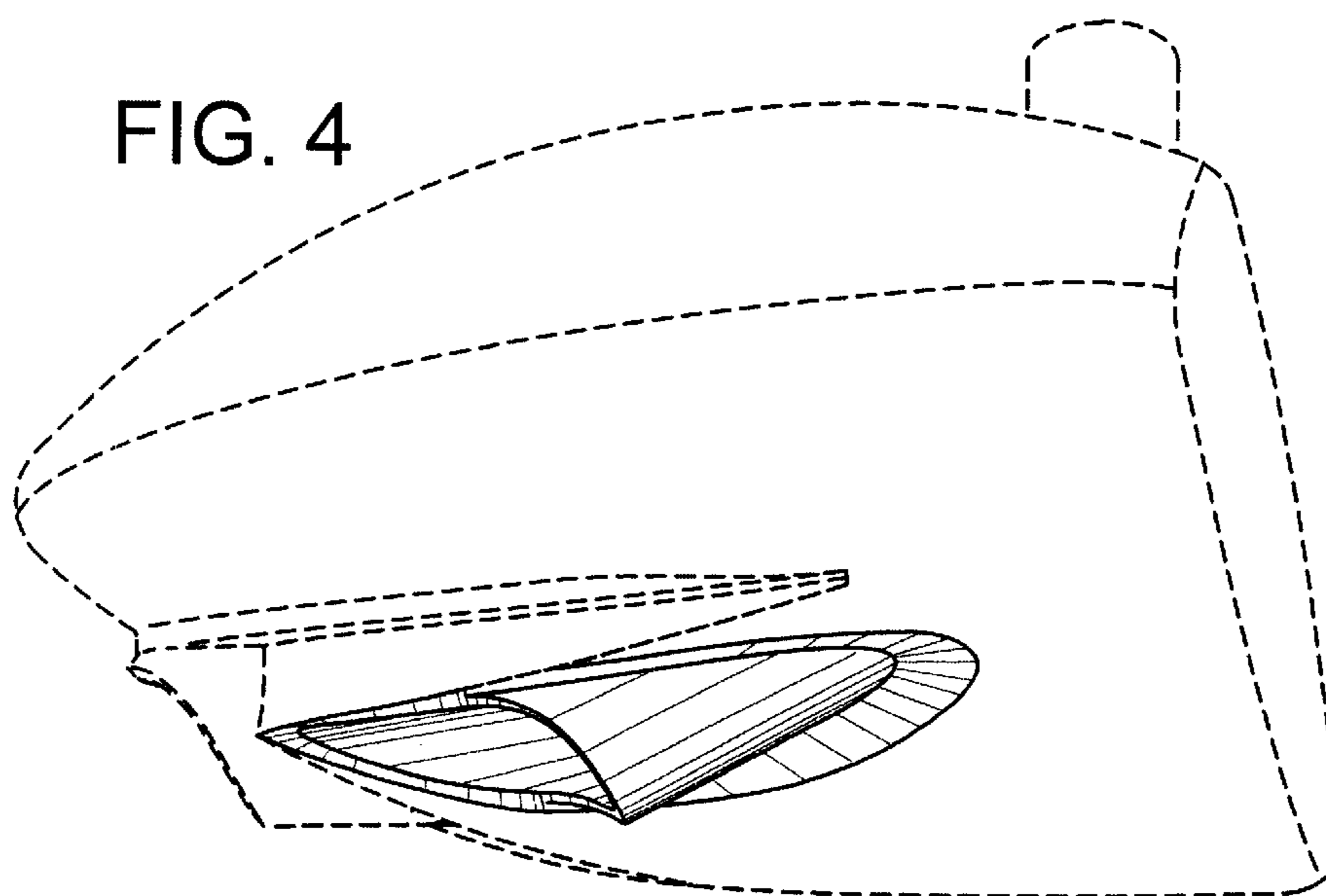


FIG. 4

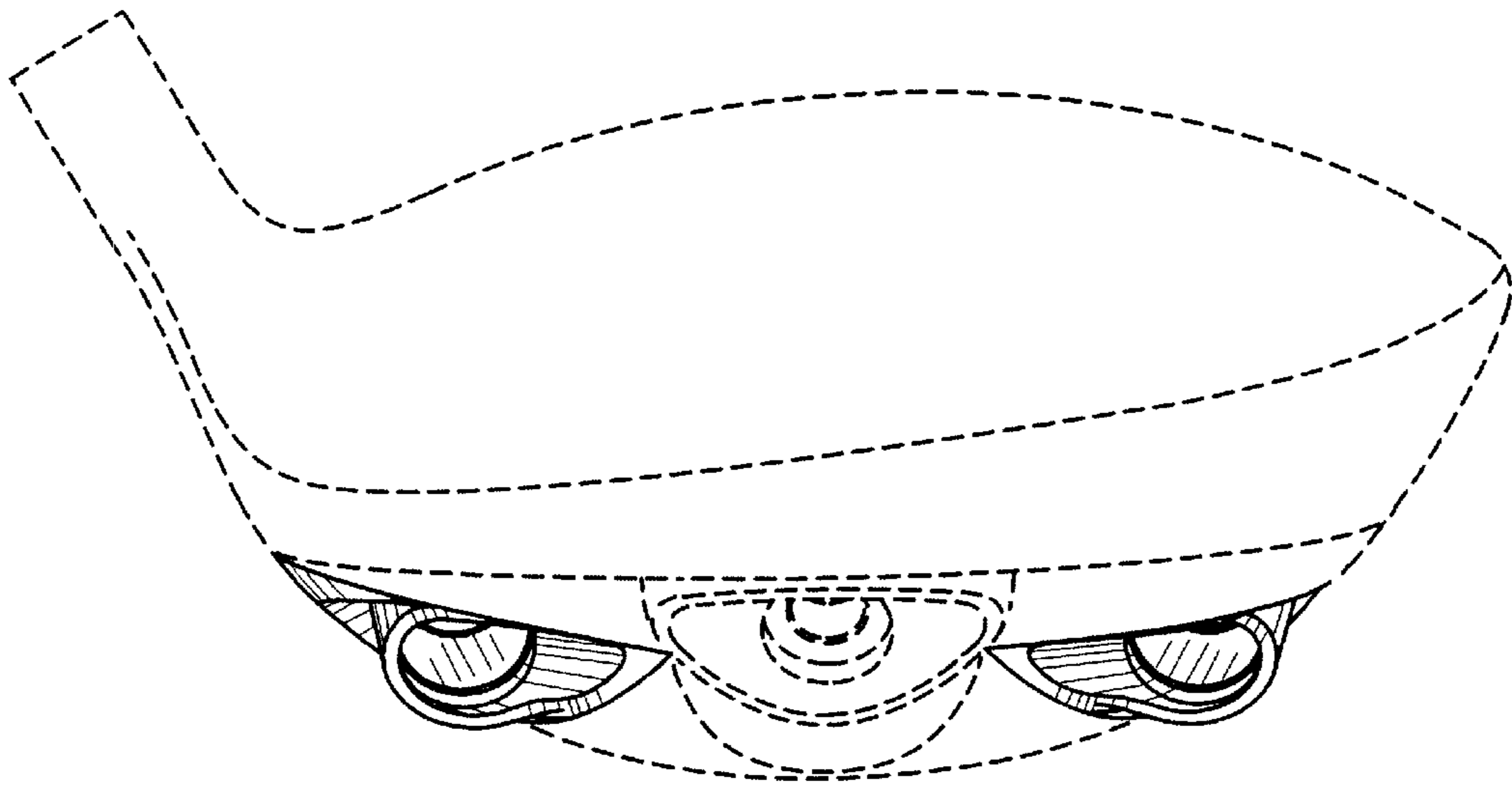


FIG. 5

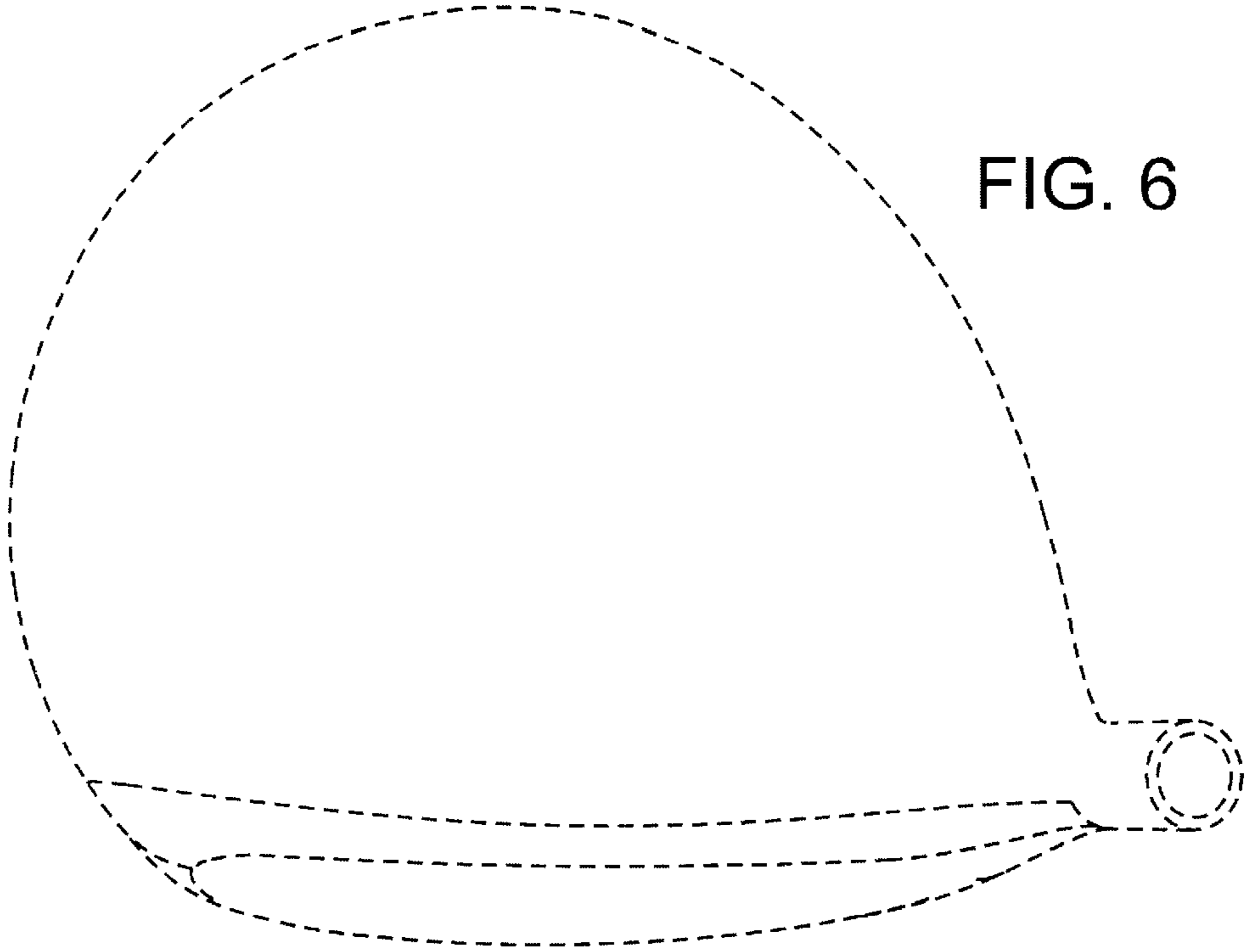


FIG. 6

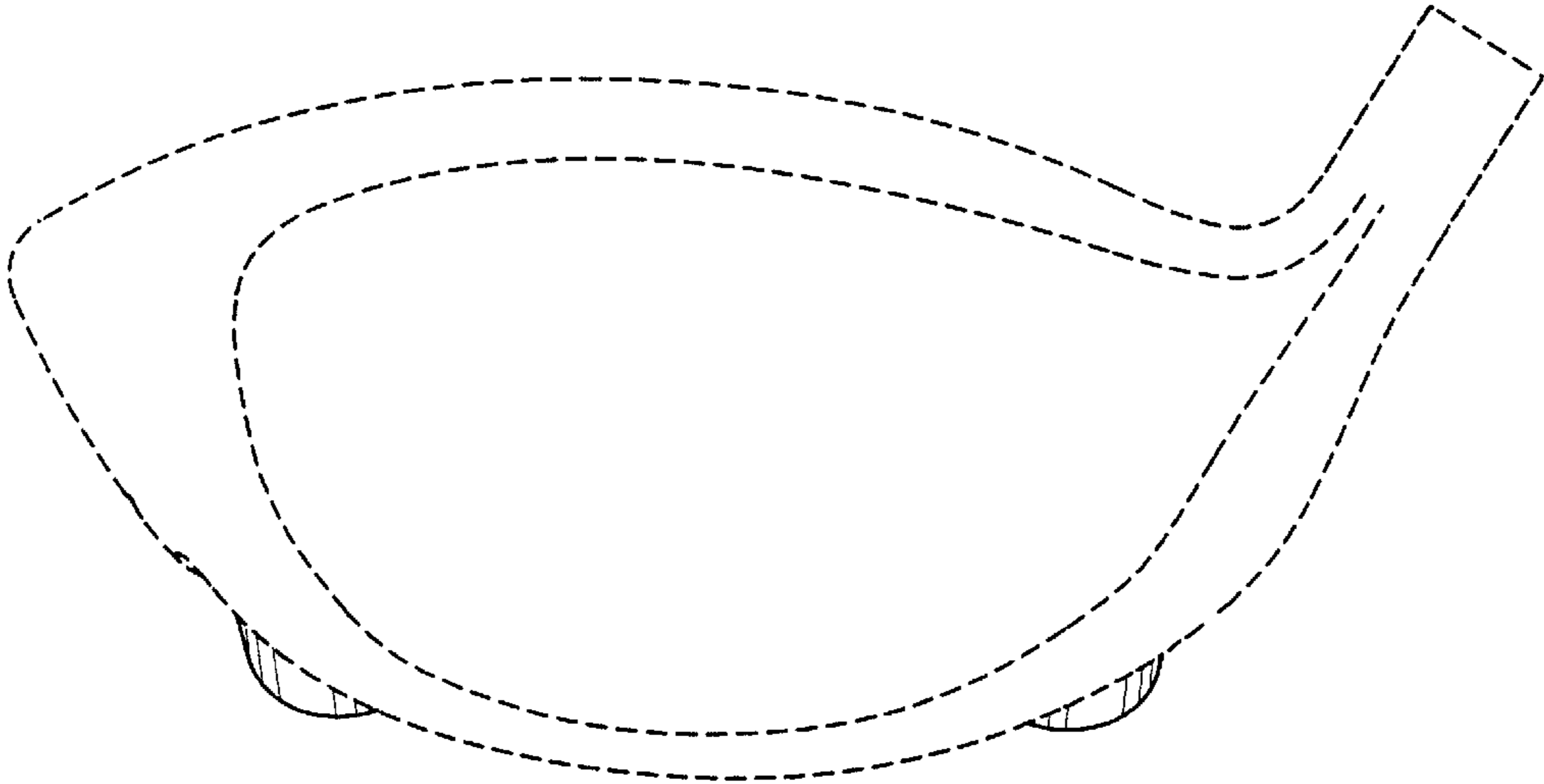


FIG. 7