

US00D542366S

(12) **United States Design Patent** (10) **Patent No.:** **US D542,366 S**
Iacono et al. (45) **Date of Patent:** **** May 8, 2007**

(54) **GOLF TEE**

(76) Inventors: **John R. Iacono**, 444 Hill Ave.,
Elmhurst, IL (US) 60126; **Robert D**
White, 1106 S. Summitt, Villa Park, IL
(US) 60181; **Mike Herron**, 2451
Roseglen Way, Aurora, IL (US) 60506

(**) **Term:** **14 Years**

(21) **Appl. No.:** **29/254,727**

(22) **Filed:** **Feb. 28, 2006**

Related U.S. Application Data

(63) Continuation of application No. 29/225,288, filed on Mar.
14, 2005, now Pat. No. Des. 516,146.

(51) **LOC (8) Cl.** **21-02**

(52) **U.S. Cl.** **D21/717**

(58) **Field of Classification Search** D21/715-721,
D21/789-796; 473/386-403

See application file for complete search history.

(56) **References Cited**

U.S. PATENT DOCUMENTS

D71,470 S	*	11/1926	Lugar	D21/718
1,638,527 A	*	8/1927	Clausing	473/402
1,644,979 A	*	10/1927	Clausing	473/402
1,671,630 A	*	5/1928	Duganne	473/395
D92,918 S	*	7/1934	Millet	D21/718
2,455,705 A	*	12/1948	Seager	473/402
D197,016 S	*	12/1963	Pearson et al.	D21/718
D200,543 S	*	3/1965	Thomte	D21/718

4,516,773 A	*	5/1985	Martin	473/391
4,783,077 A	*	11/1988	Lemon	473/402
5,571,055 A	*	11/1996	Lewis et al.	473/398
D393,301 S	*	4/1998	Koskela	D21/718
6,139,449 A	*	10/2000	Cardarelli	473/387
D488,525 S	*	4/2004	Cardarelli	D21/717
2002/0198066 A1	*	12/2002	Salsman	473/387

FOREIGN PATENT DOCUMENTS

GB	DES. 2059748	*	10/1996
JP	09215801 A	*	8/1997

* cited by examiner

Primary Examiner—Catherine Tuttle
(74) *Attorney, Agent, or Firm*—Baker & McKenzie LLP;
David I. Roche; Daniel A. Tallitsch

(57) **CLAIM**

The ornamental design for a golf tee, as shown and described.

DESCRIPTION

FIG. 1 is a perspective view of a tee embodying our invention;

FIG. 2 is a front elevational view thereof;

FIG. 3 is a right side elevational view thereof;

FIG. 4 is a left side elevational view thereof;

FIG. 5 is a top plan view thereof; and,

FIG. 6 is a bottom plan view thereof.

The broken lines are included for the purpose of illustrating portions of the golf tee that form no part of the claimed design.

1 Claim, 1 Drawing Sheet

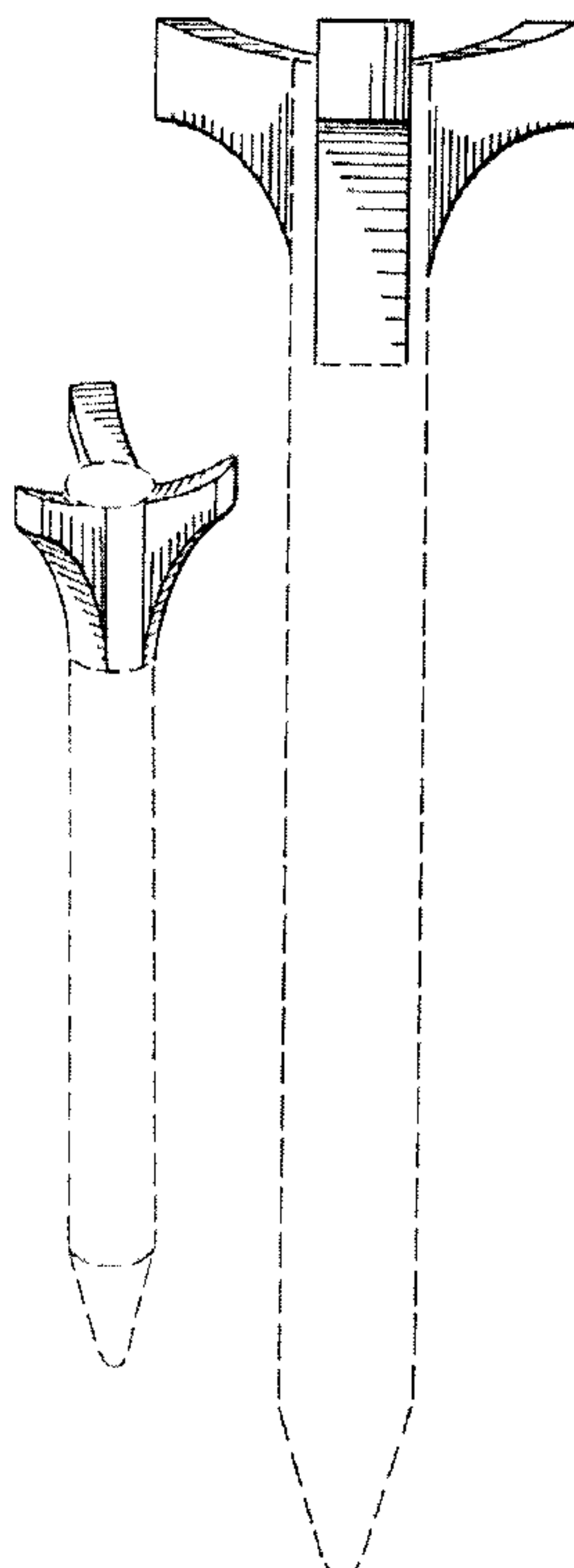


FIG. 1

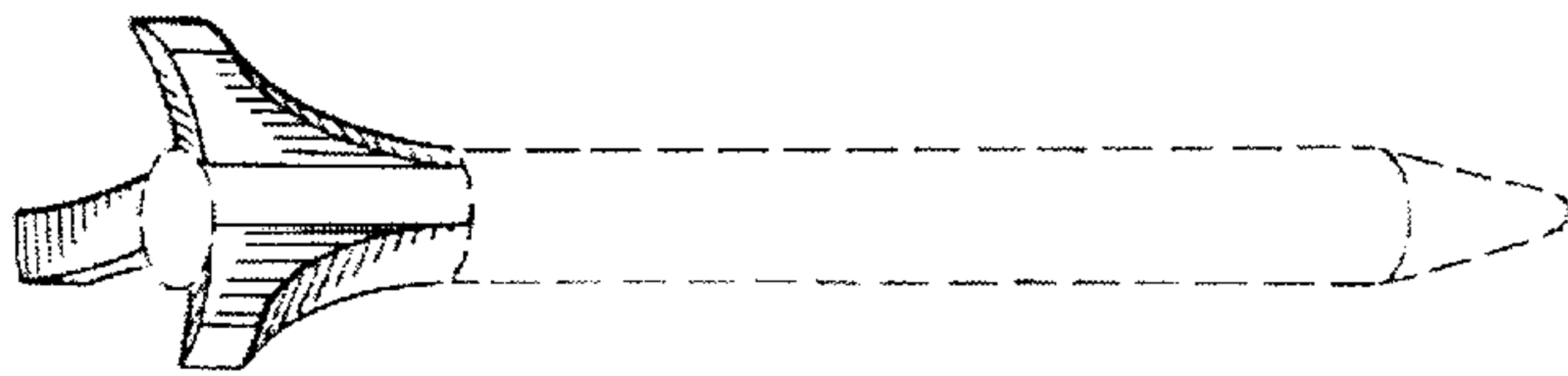


FIG. 2

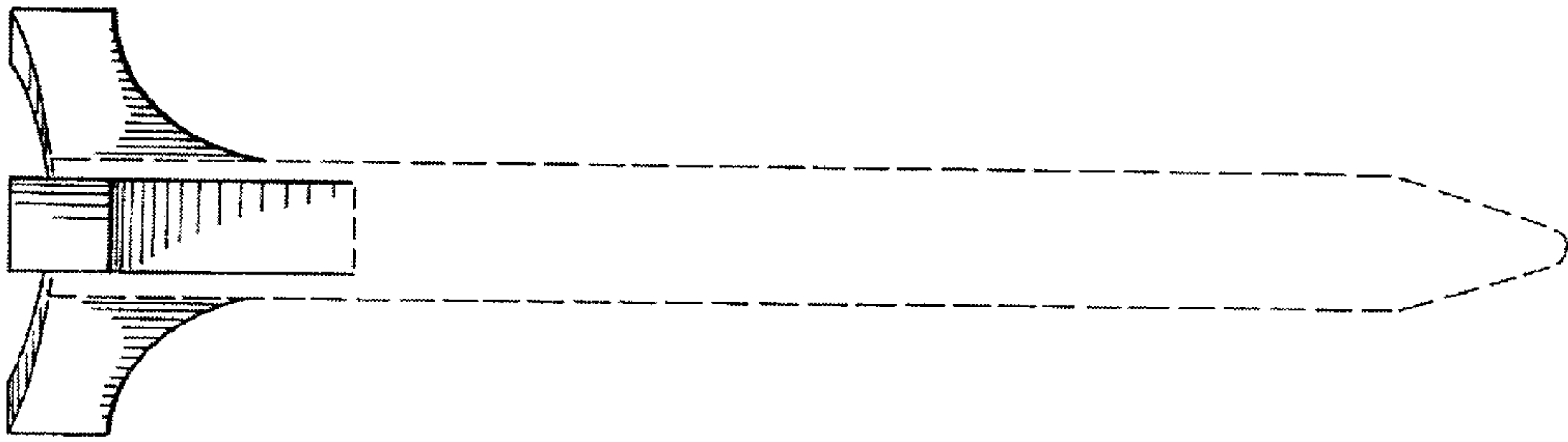


FIG. 3

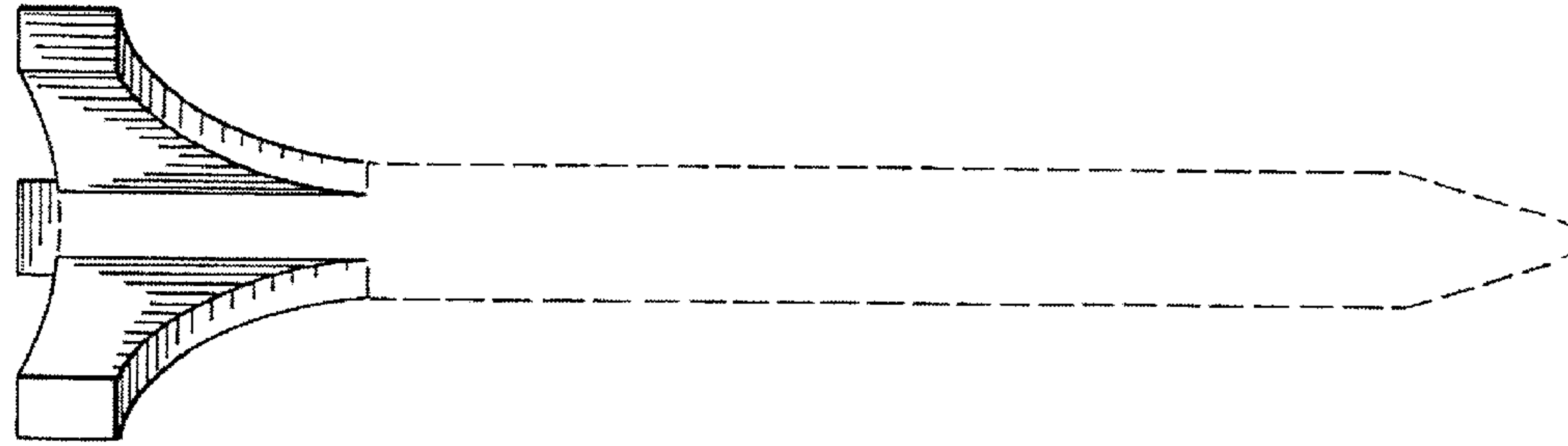


FIG. 4

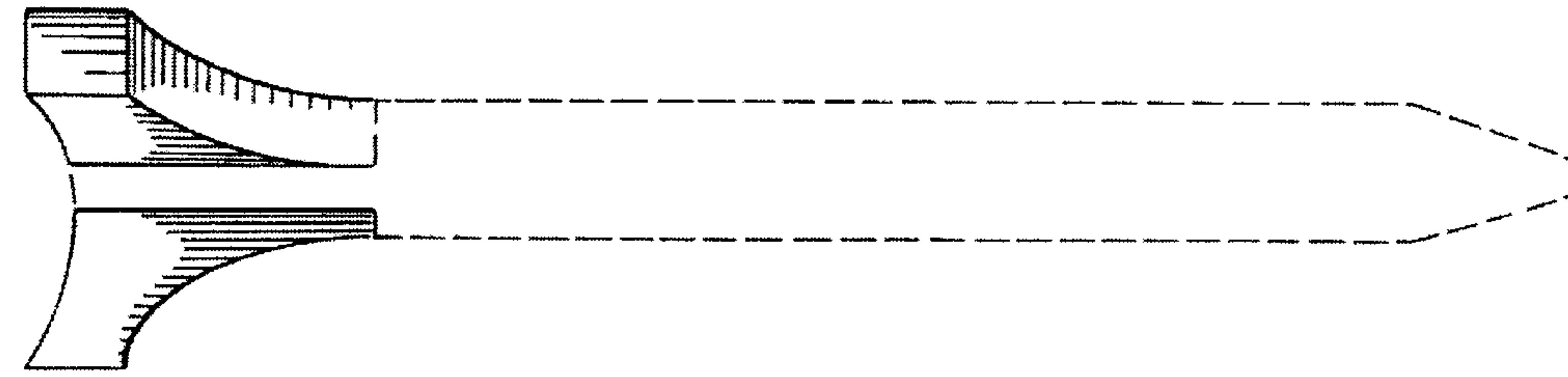


FIG. 5

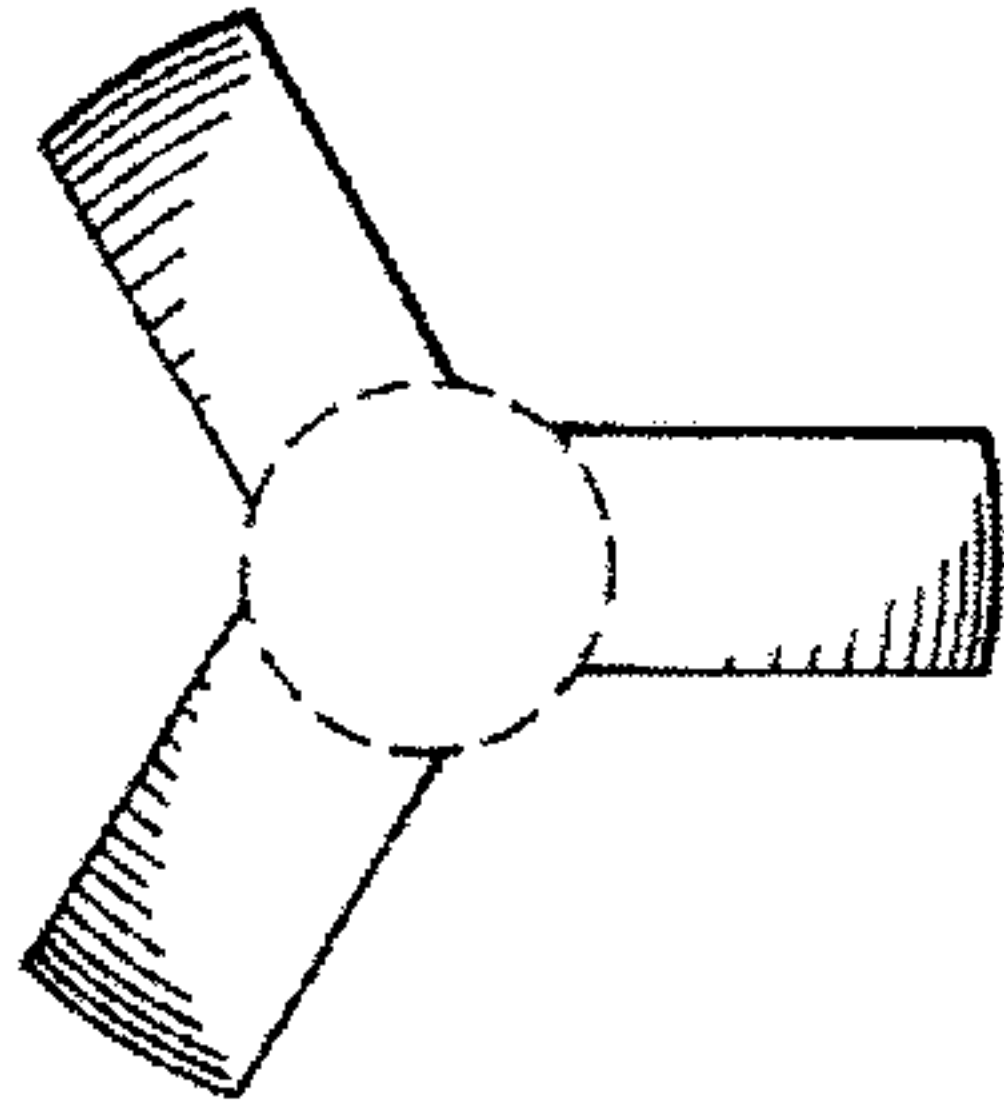


FIG. 6

