



US00D542365S

(12) **United States Design Patent** (10) **Patent No.:** **US D542,365 S**
Corbalis et al. (45) **Date of Patent:** **** May 8, 2007**

(54) **RECUMBENT EXERCISE BICYCLE**

D513,421 S * 1/2006 Nagano D21/666

(75) Inventors: **Kevin Patrick Corbalis**, Tustin, CA (US); **Mark William Chiles**, Yorba Linda, CA (US); **Victor Torres Cornejo**, Tustin, CA (US); **Jirawat O. Jeanvigite**, Los Angeles, CA (US); **John Cook**, Ventura, CA (US)

(73) Assignee: **Unisen, Inc.**, Irvine, CA (US)

(**) Term: **14 Years**

(21) Appl. No.: **29/237,332**

(22) Filed: **Aug. 30, 2005**

Related U.S. Application Data

(62) Division of application No. 29/190,275, filed on Sep. 17, 2003, now Pat. No. Des. 515,152.

(51) **LOC (8) Cl.** **21-02**

(52) **U.S. Cl.** **D21/697; D21/694**

(58) **Field of Classification Search** D21/663, D21/664, 665, 666, 667, 668, 694, 696, 697; 482/51, 52, 53, 57, 58, 59
See application file for complete search history.

(56) **References Cited**

U.S. PATENT DOCUMENTS

D320,826 S	10/1991	Hildebrandt et al.	
D342,299 S	12/1993	Birrell et al.	
D347,039 S	5/1994	Littrell et al.	
D355,942 S	2/1995	Wu	
D362,699 S	9/1995	Heaton et al.	
5,690,582 A	11/1997	Ulrich et al.	
5,890,995 A	4/1999	Bobick et al.	
6,001,046 A	12/1999	Chang	
D439,289 S	3/2001	Moran et al.	
D461,210 S	8/2002	Fon	
D480,121 S	* 9/2003	Lee D21/694

OTHER PUBLICATIONS

Digital Image of Tunturi F520 2001.
Cycling in a Recumbent Position, National Fitness Trade Journal, Fall, 1998, Author: Dennis Michaelson, pp. 18 & 19.

Star Track Introduces New V-Bike, National Fitness Trade Journal, Fall 1998; pp. 22, 23, 25.

Website page of Tunturi Recumbent Cycle F 570; <http://web.archive.org/web/19970418121321/www.tunturi.com/f570.html>.

Website page of Tunturi F520; http://web.archive.org/web/20010430051355/www.tunturi.com/php/fitness.php?tr_id=7&tuote_id=112.

* cited by examiner

Primary Examiner—Philip S. Hyder

(74) *Attorney, Agent, or Firm*—Knobbe, Martens, Olson & Bear, LLP

(57) **CLAIM**

The oramental design for a recumbent exercise bicycle, as shown and described.

DESCRIPTION

FIG. 1 is a top, rear perspective view of a portion of a recumbent exercise bicycle, showing our new design; FIG. 2 is a right side elevation view of the portion of a recumbent exercise bicycle, the left side being a mirror image thereof;

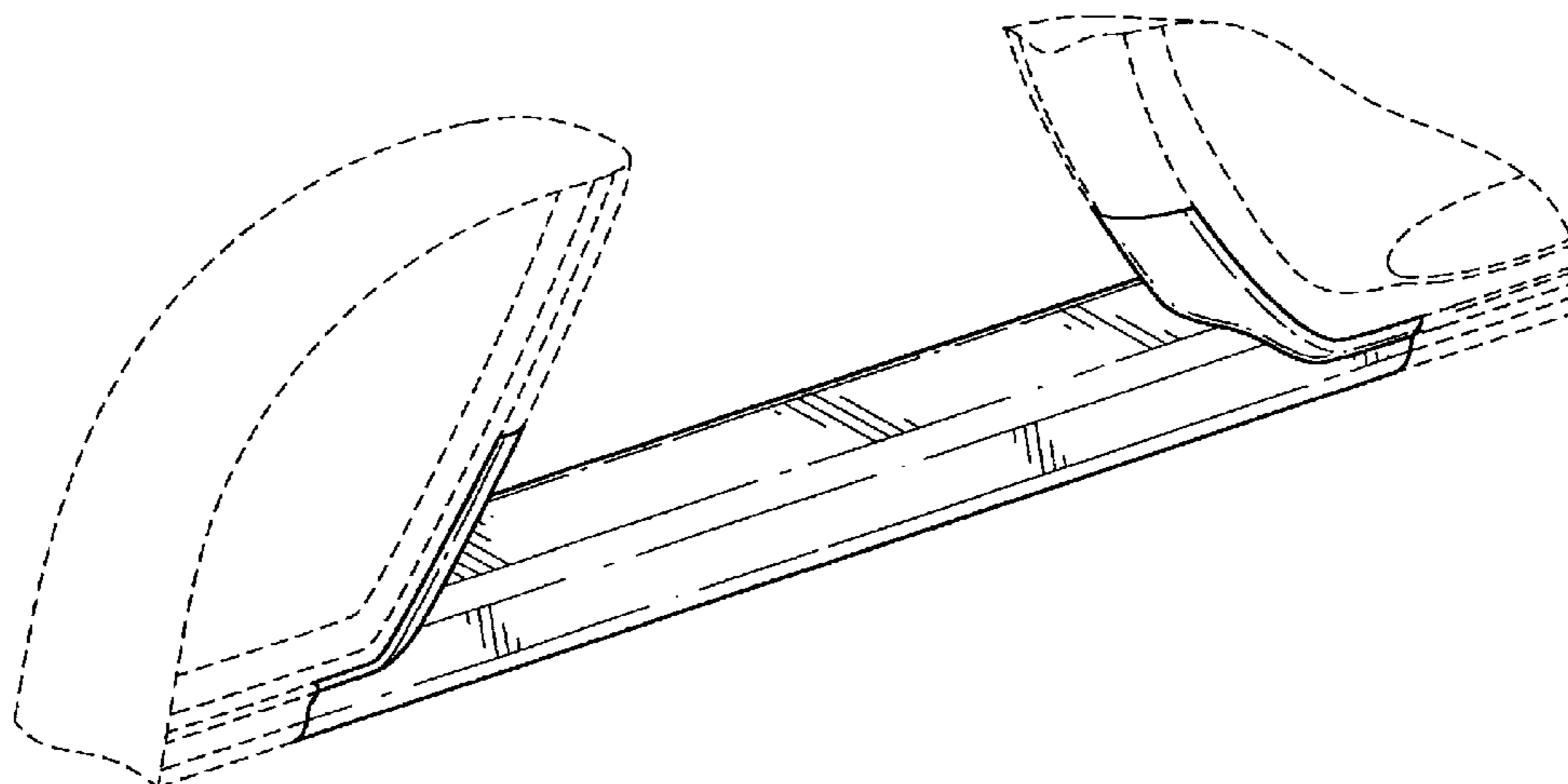
FIG. 3 is a bottom view thereof;

FIG. 4 is a top plan view thereof; and,

FIG. 5 is a section view thereof taken along line 5—5 in FIG. 2.

The elements illustrated in dashed lines in the accompanying drawings are considered environmental and do not form a part of the claimed design.

1 Claim, 3 Drawing Sheets



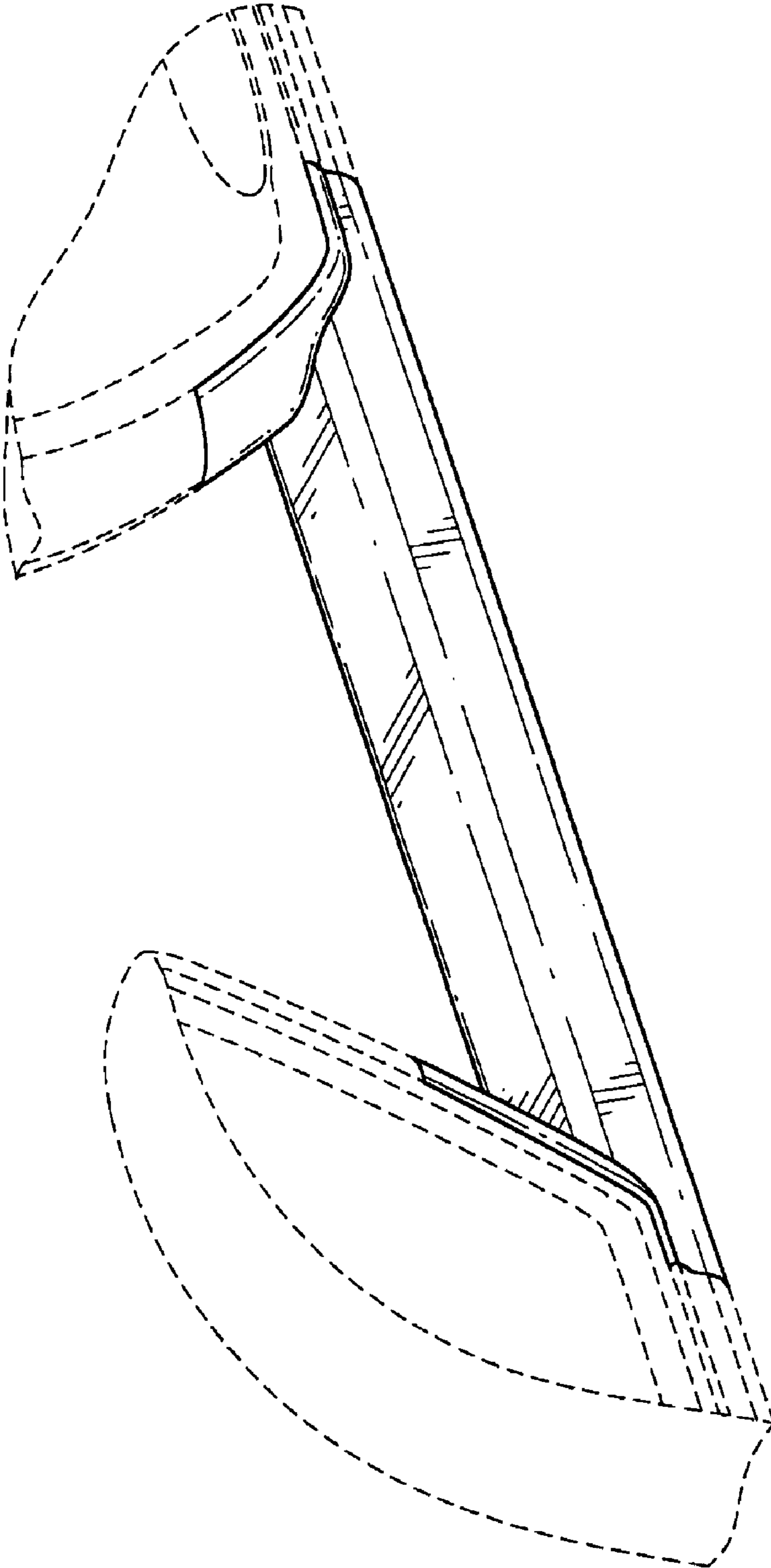


FIG. 1

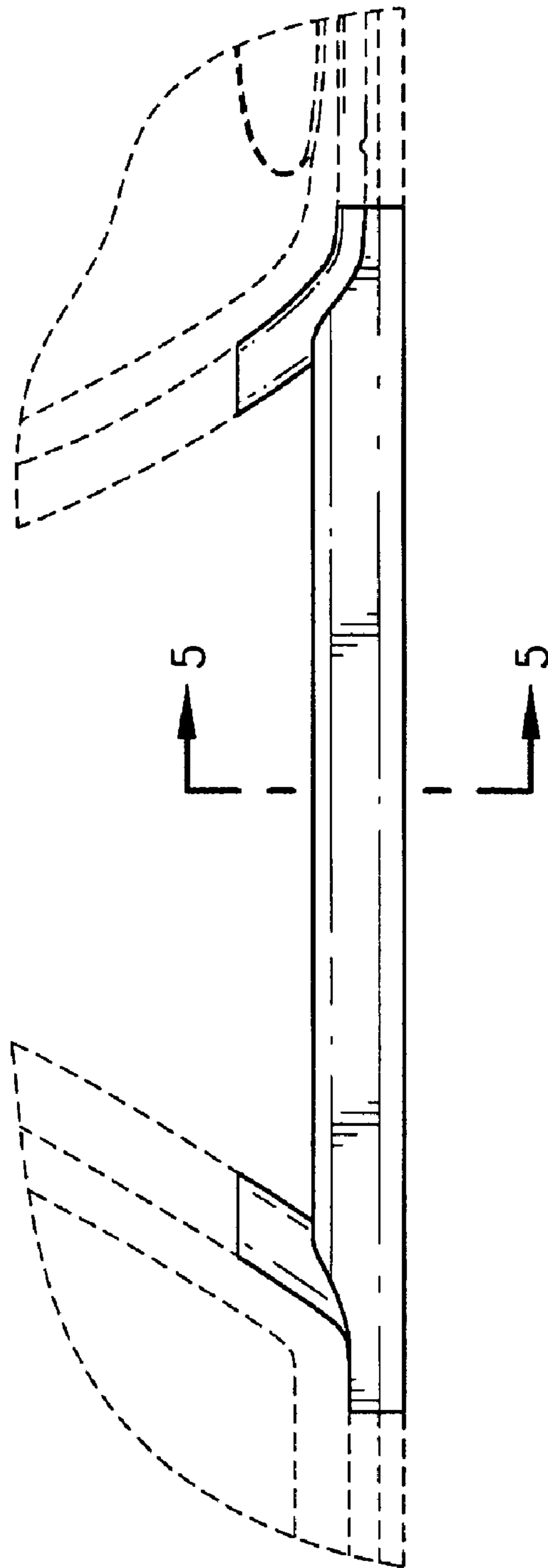


FIG. 2

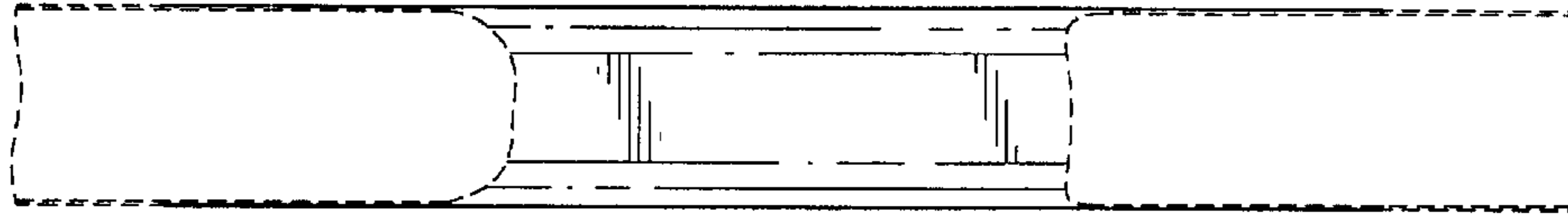


FIG. 3

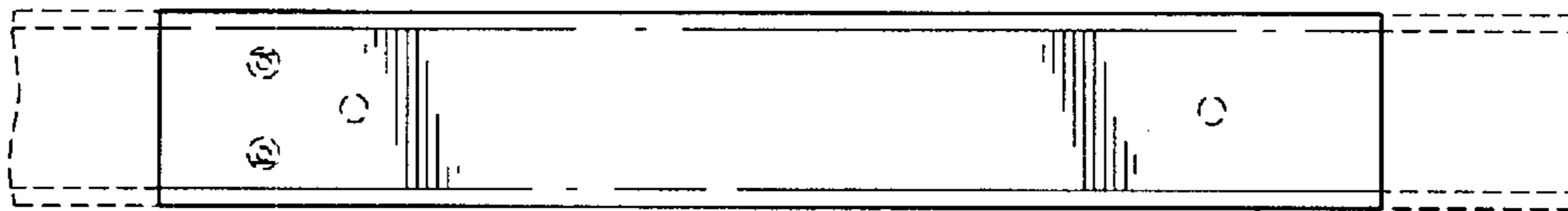


FIG. 4

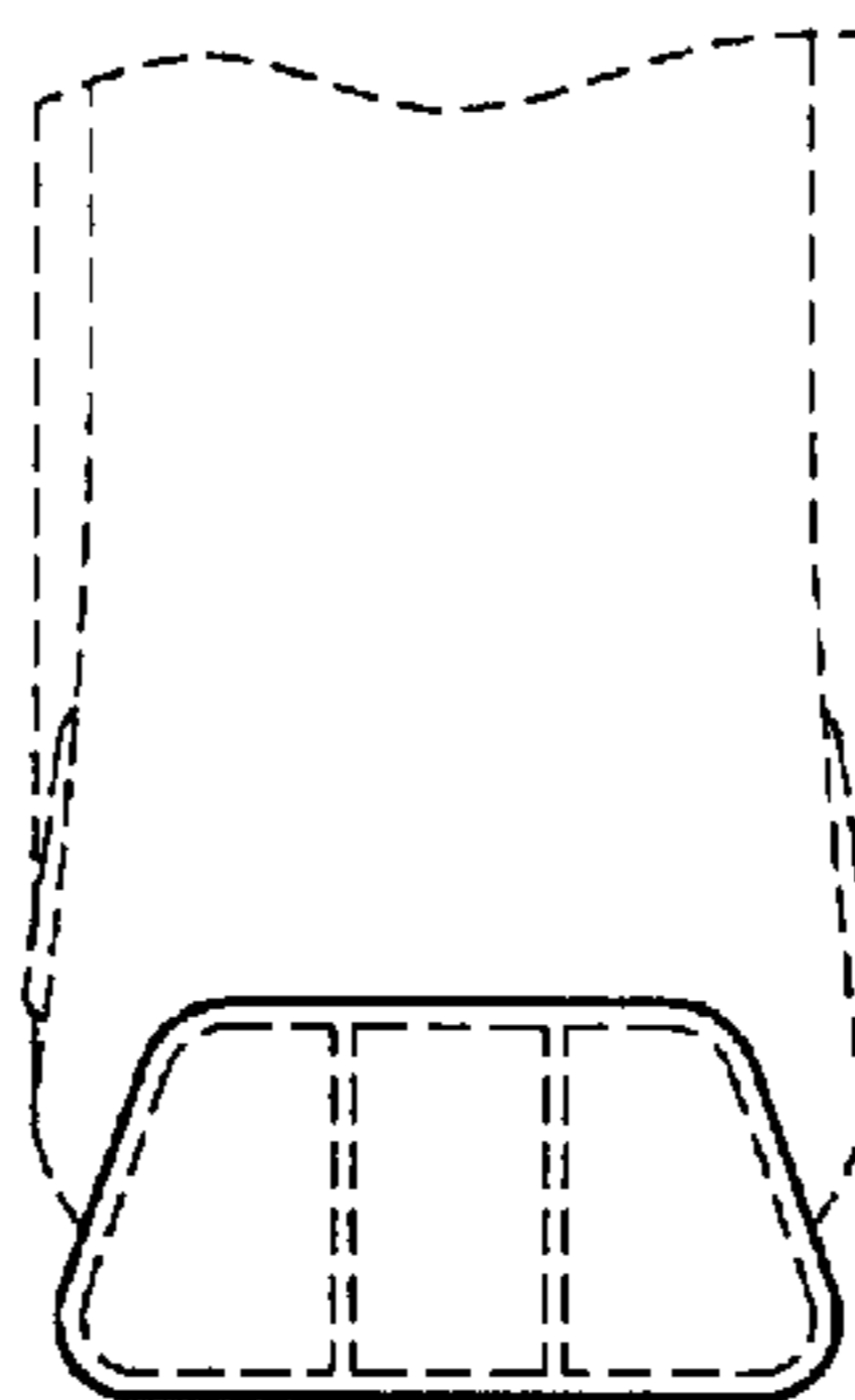


FIG. 5