



US00D542362S

(12) **United States Design Patent**  
**Campbell**

(10) **Patent No.:** **US D542,362 S**

(45) **Date of Patent:** **\*\* May 8, 2007**

(54) **RECONFIGURABLE TOY EXTREME SPORT ROLLERBLADER**

(75) Inventor: **Fraser Campbell**, Venice, CA (US)

(73) Assignee: **Mattel, Inc.**, El Segundo, CA (US)

(\*\*) Term: **14 Years**

(21) Appl. No.: **29/240,807**

(22) Filed: **Oct. 18, 2005**

(51) **LOC (8) Cl.** ..... **21-01**

(52) **U.S. Cl.** ..... **D21/581**

(58) **Field of Classification Search** ..... D21/576–584,  
D21/635, 548–551; 446/72, 97–98, 268–269  
See application file for complete search history.

(56) **References Cited**

U.S. PATENT DOCUMENTS

D294,610 S	*	3/1988	Matsumoto	.....	D21/581
D301,505 S	*	6/1989	Kunihiro	.....	D21/581
D305,919 S	*	2/1990	Shibukawa	.....	D21/584
D306,046 S	*	2/1990	Shibukawa	.....	D21/579
D311,042 S	*	10/1990	Ikeda	.....	D21/581
5,971,832 A	*	10/1999	Siboni	.....	446/269
D424,633 S	*	5/2000	Hollis et al.	.....	D21/548
D507,607 S	*	7/2005	Nakase	.....	D21/584

OTHER PUBLICATIONS

Joshua Bernard; Titled “Toy Fair 2005: Bandai: D.I.C.E.”; Published at “Toy Fair 2005: Bandai: D.I.C.E.—collection DX.com” (website).

MECHAWORX; Titled “Mecahworx: D.I.C.E. Machine Vehicle Motoraptor Toy Review”; Article No. RV0034; Published at “D.I.C.E. Machine Runner Vehicle Motoraptor by Bandai America Toy Review page” (website).

Mega Bloks, Inc., 2003; Titled “Transforming Blok Bots: Clash”; Mega Bloks Physical Product.

Ritvik Holdings, 2001; Titled “Transforming Blok Bots: Spy”; Mega Bloks Physical Product.

Ritvik Holdings, 2001; Titled “Transforming Blok Bots: Torch”; Mega Bloks Physical Product.

Tonka Corporation; Titled “Go Bots: Cy-Kill”; Tonka physical product packaging.

\* cited by examiner

*Primary Examiner*—Sandra L. Morris

(74) *Attorney, Agent, or Firm*—Alleman Hall McCoy Russell & Tuttle LLP

(57) **CLAIM**

I claim: the ornamental design for a reconfigurable toy extreme sport rollerblader, as shown and described.

**DESCRIPTION**

FIGS. 1–12 show a reconfigurable toy having a novel shape and/or configuration. The toy can be configured in a vehicle mode, as shown in FIGS. 1–6, and a power suit mode, as shown in FIGS. 7–12.

FIG. 1 is a right-side view of the toy in a vehicle configuration.

FIG. 2 is a left-side view of the toy in a vehicle configuration.

FIG. 3 is front view of the toy in a vehicle configuration.

FIG. 4 is a back view of the toy in a vehicle configuration.

FIG. 5 is a top view of the toy in a vehicle configuration.

FIG. 6 is a bottom view of the toy in a vehicle configuration.

FIG. 7 is a right-side view of the toy in a power suit configuration.

FIG. 8 is a left-side view of the toy in a power suit configuration.

FIG. 9 is a front view of the toy in a power suit configuration.

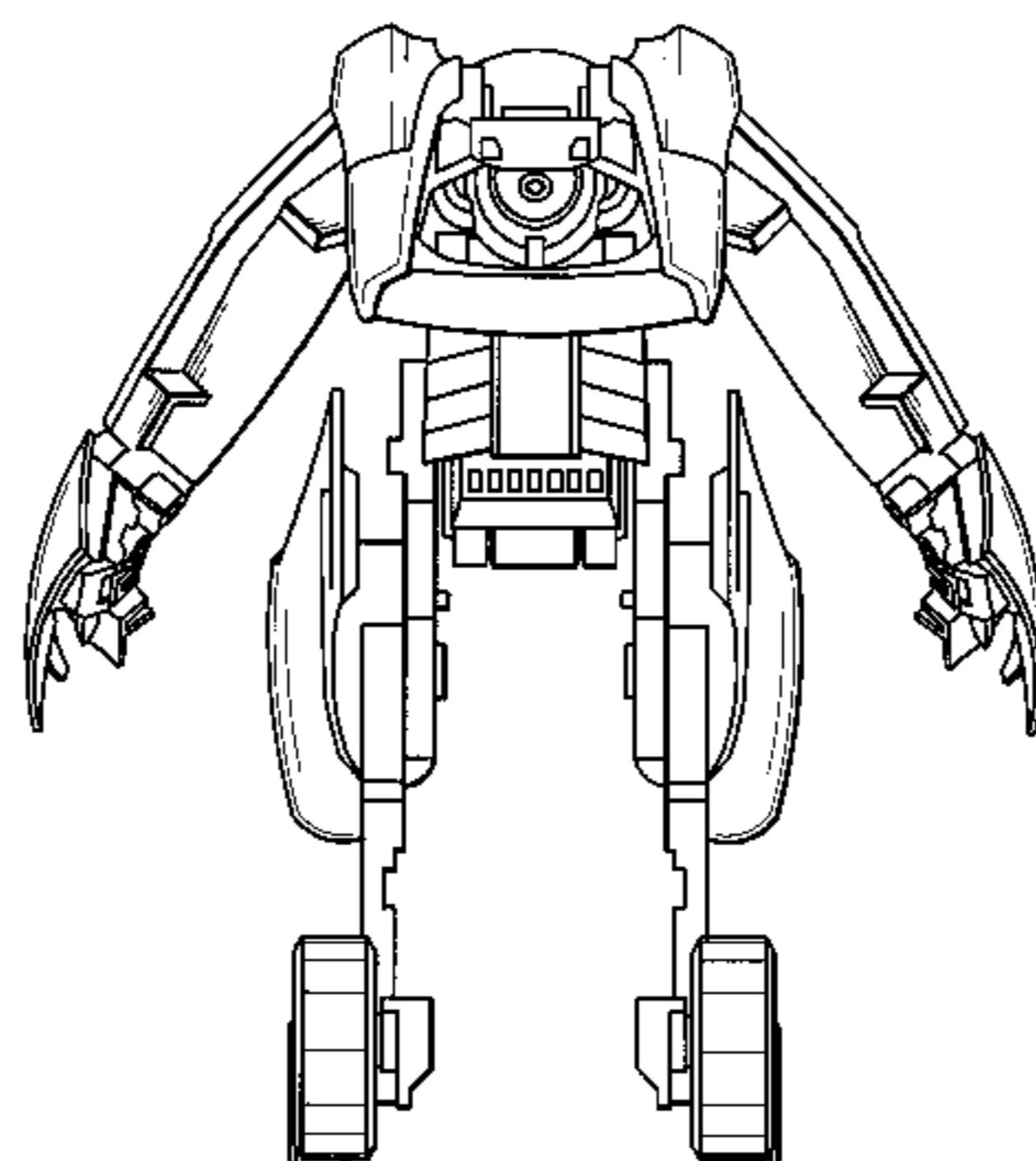
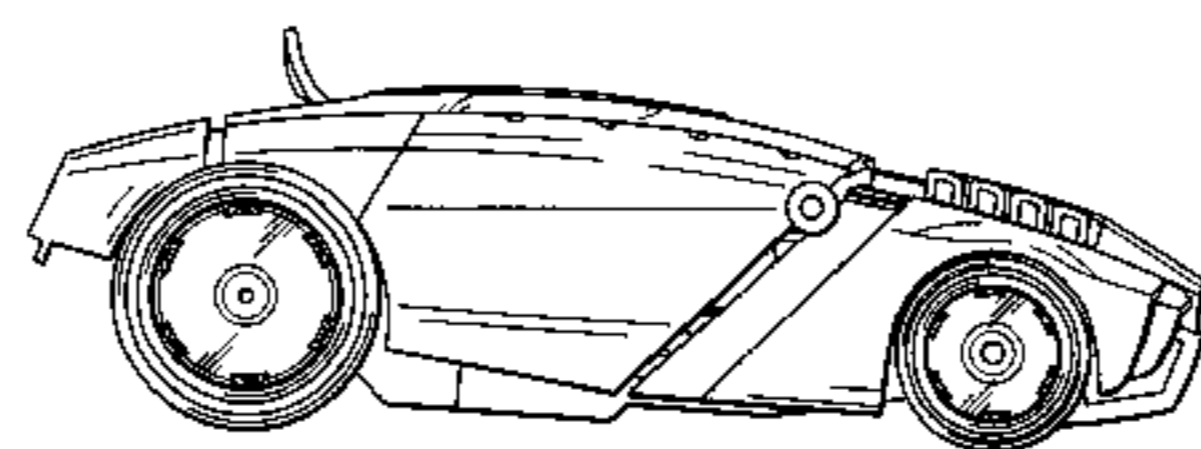
FIG. 10 is a back view of the toy in a power suit configuration.

FIG. 11 is a top view of the toy in a power suit configuration; and,

FIG. 12 is a bottom view of the toy in a power suit configuration.

The shading lines shown in the drawings represent the approximate three-dimensional contour of the design, and are not intended to indicate surface decoration.

**1 Claim, 7 Drawing Sheets**



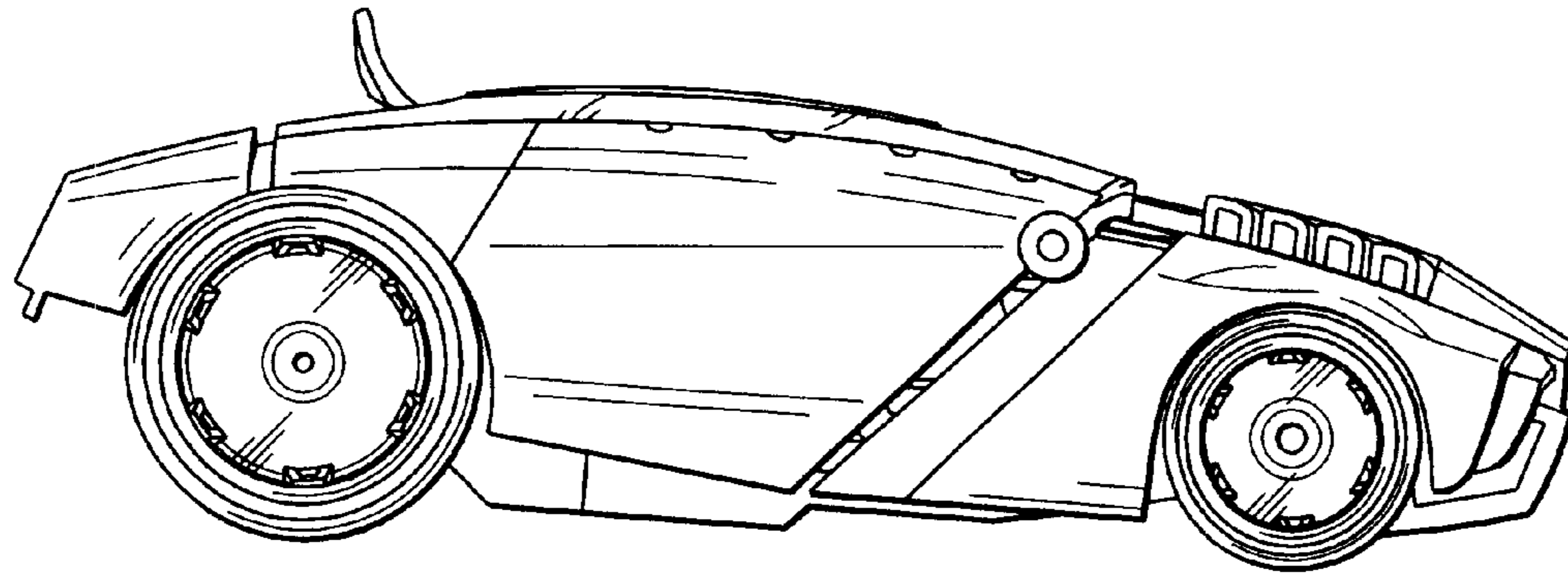


FIG. 1

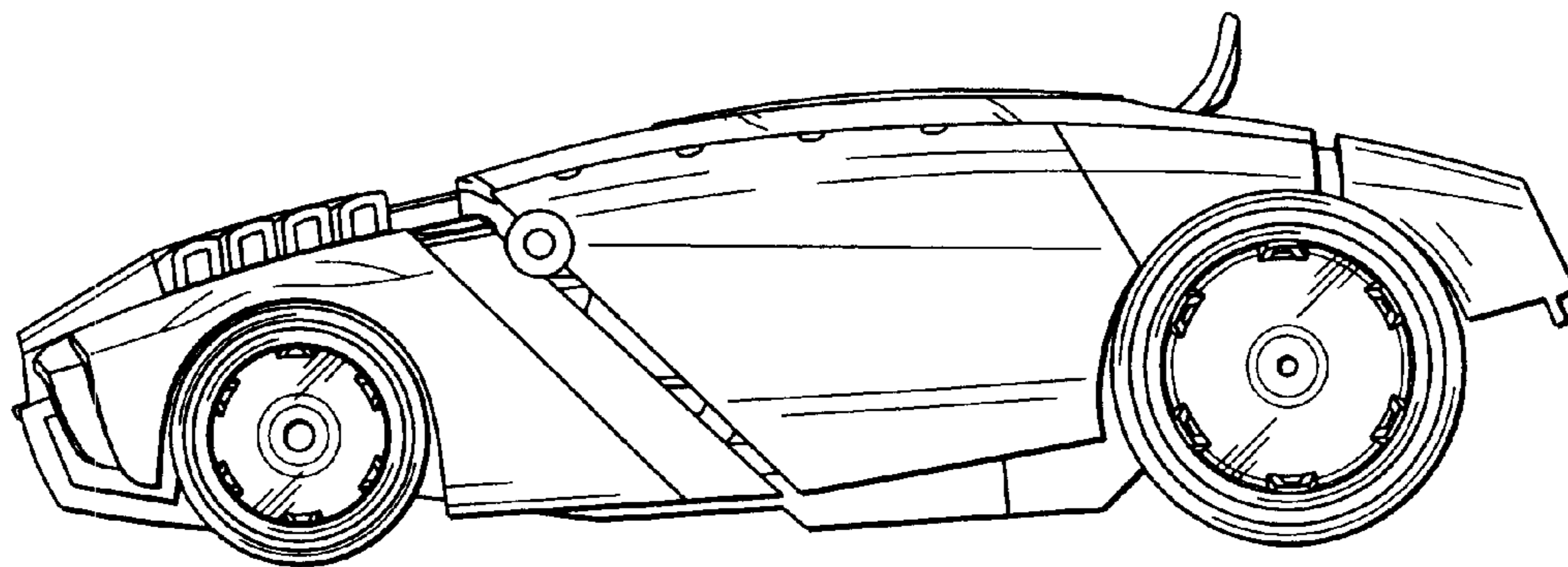


FIG. 2

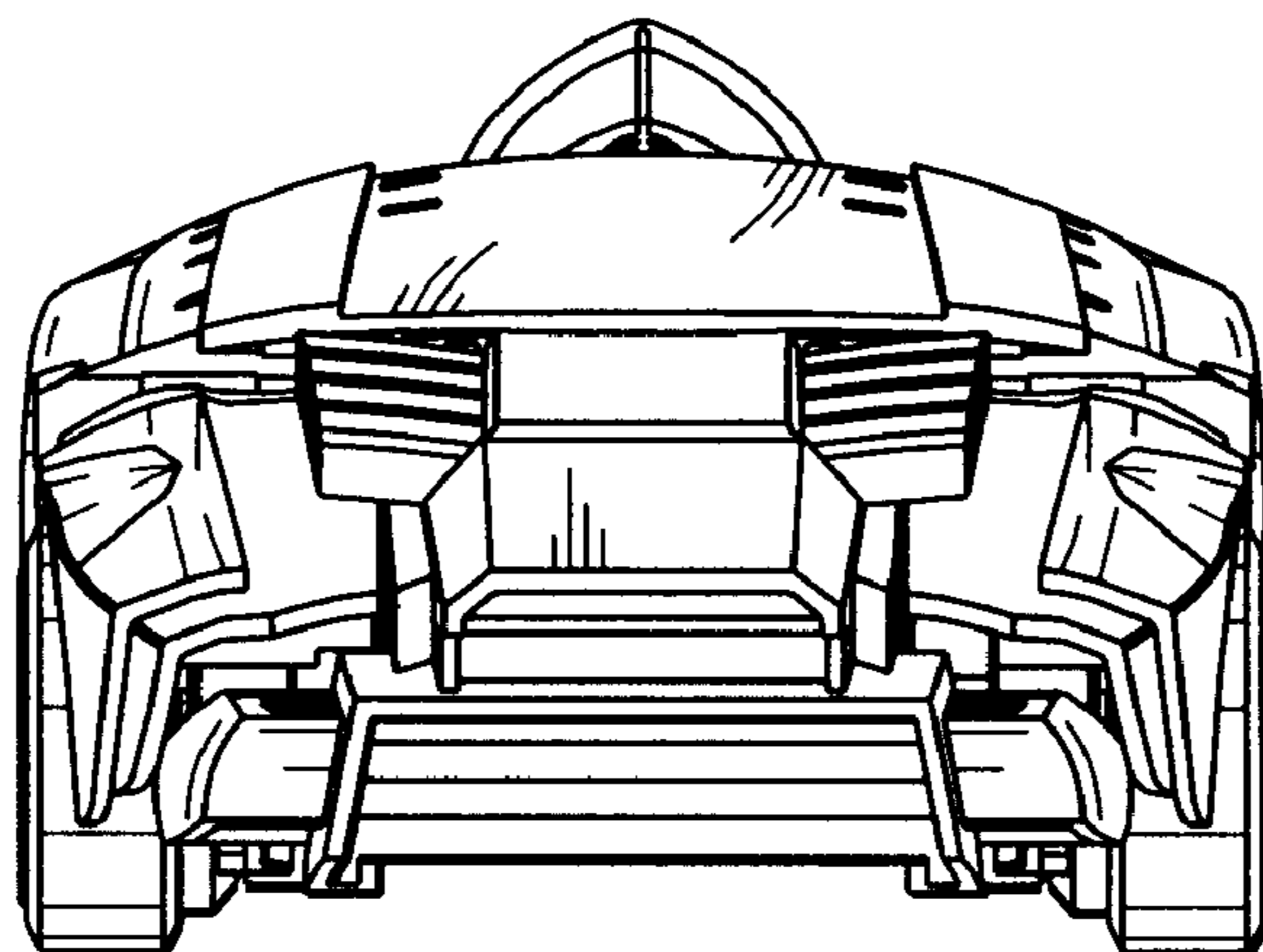


FIG. 3

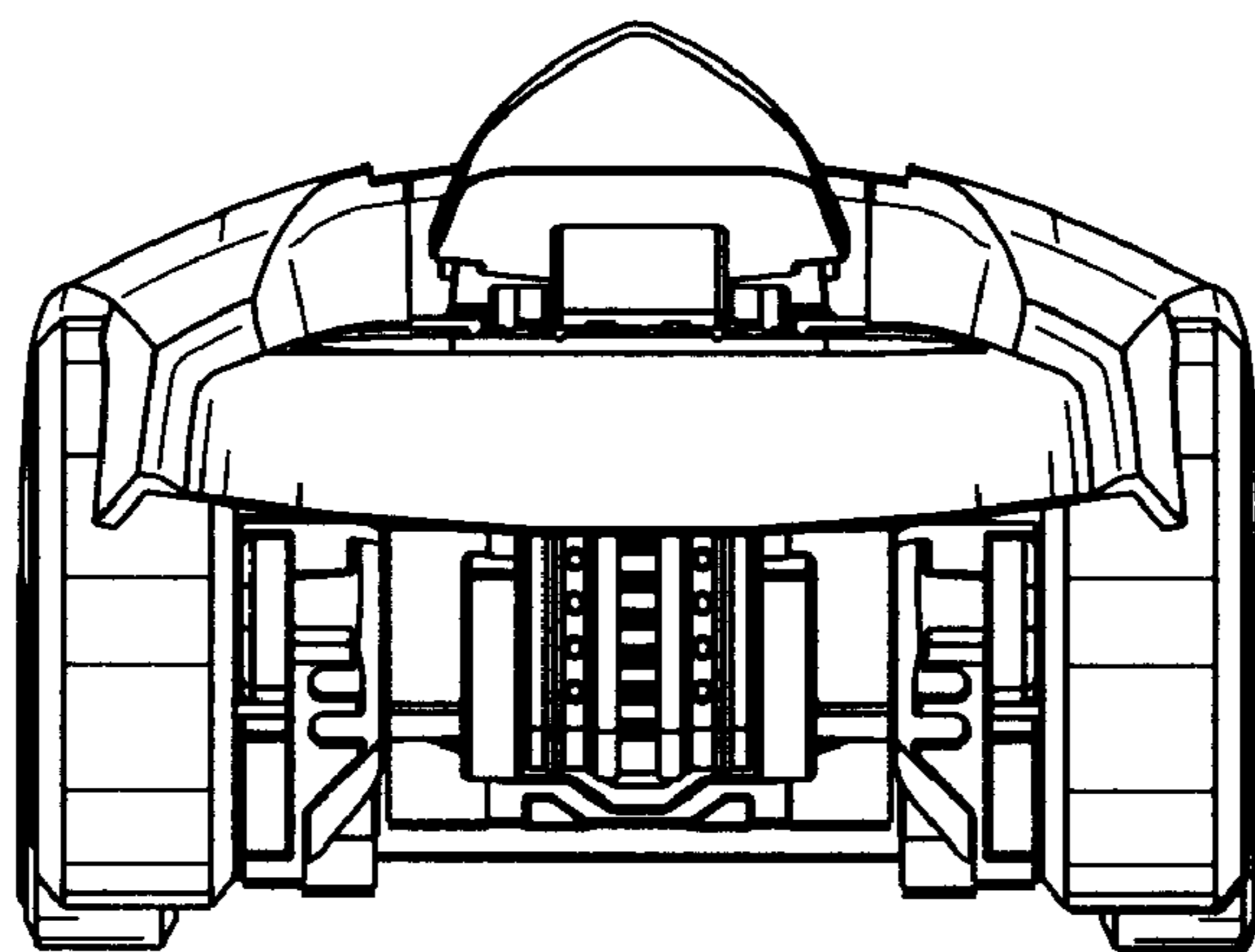


FIG. 4

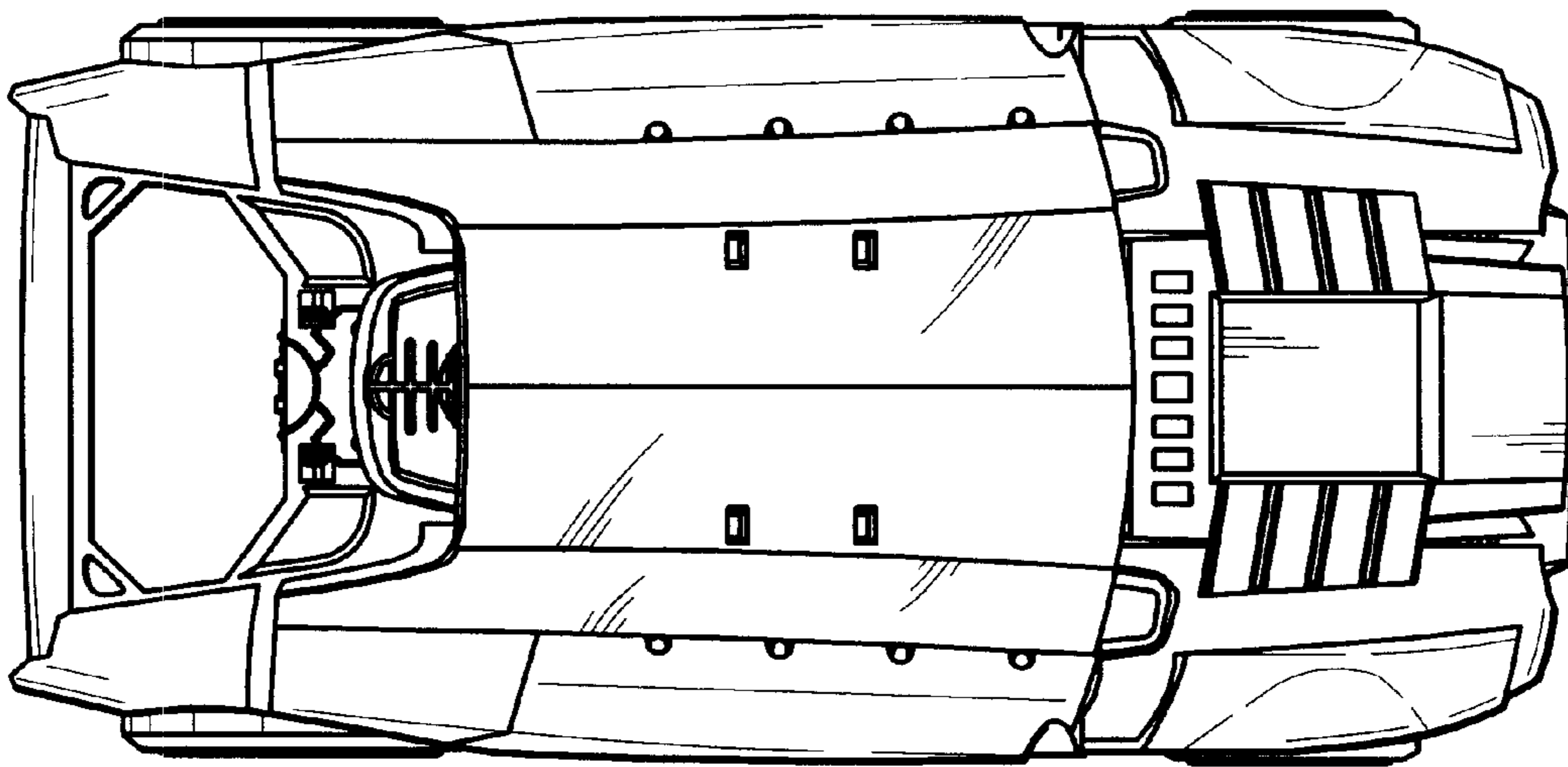


FIG. 5

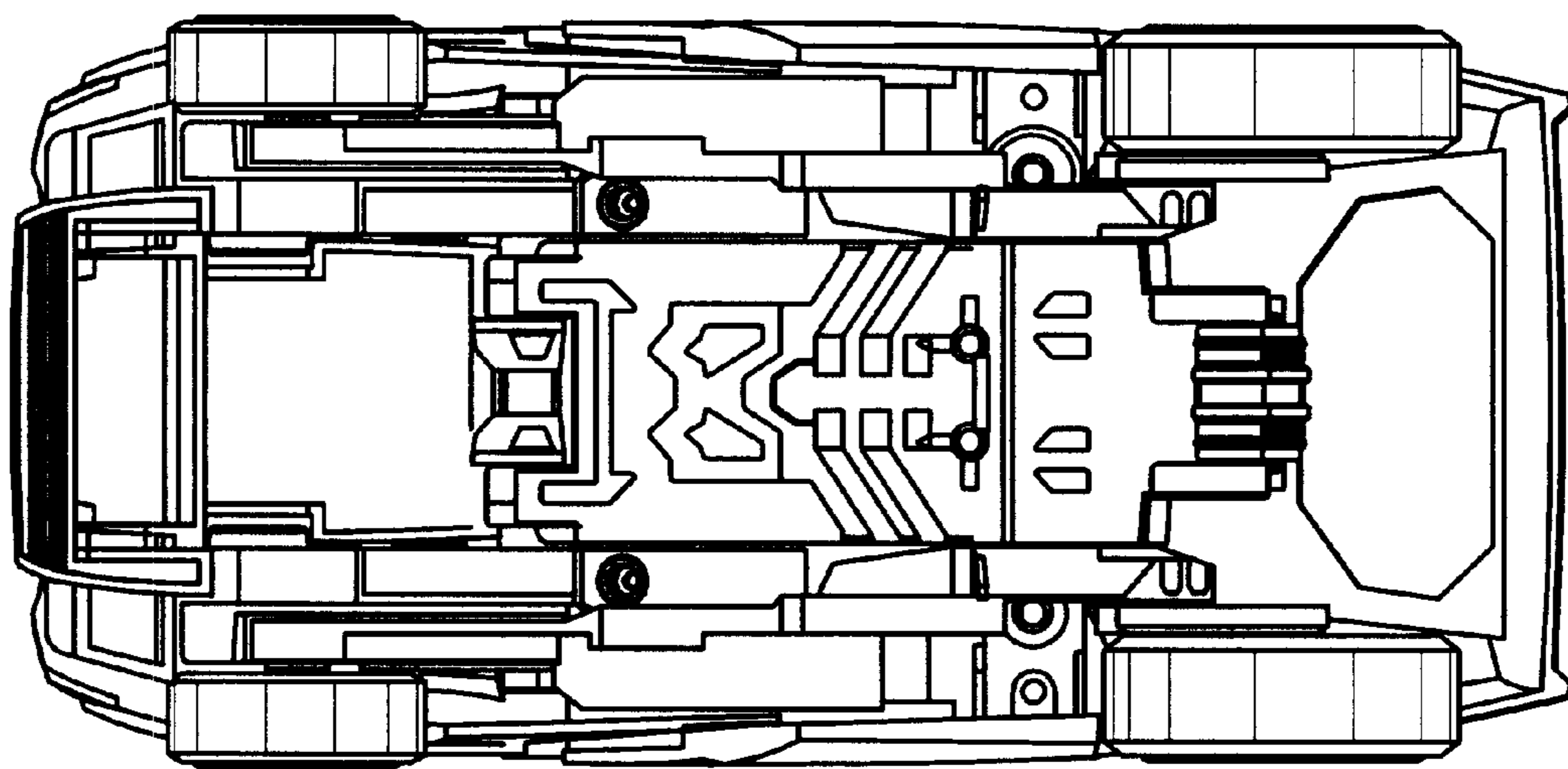


FIG. 6

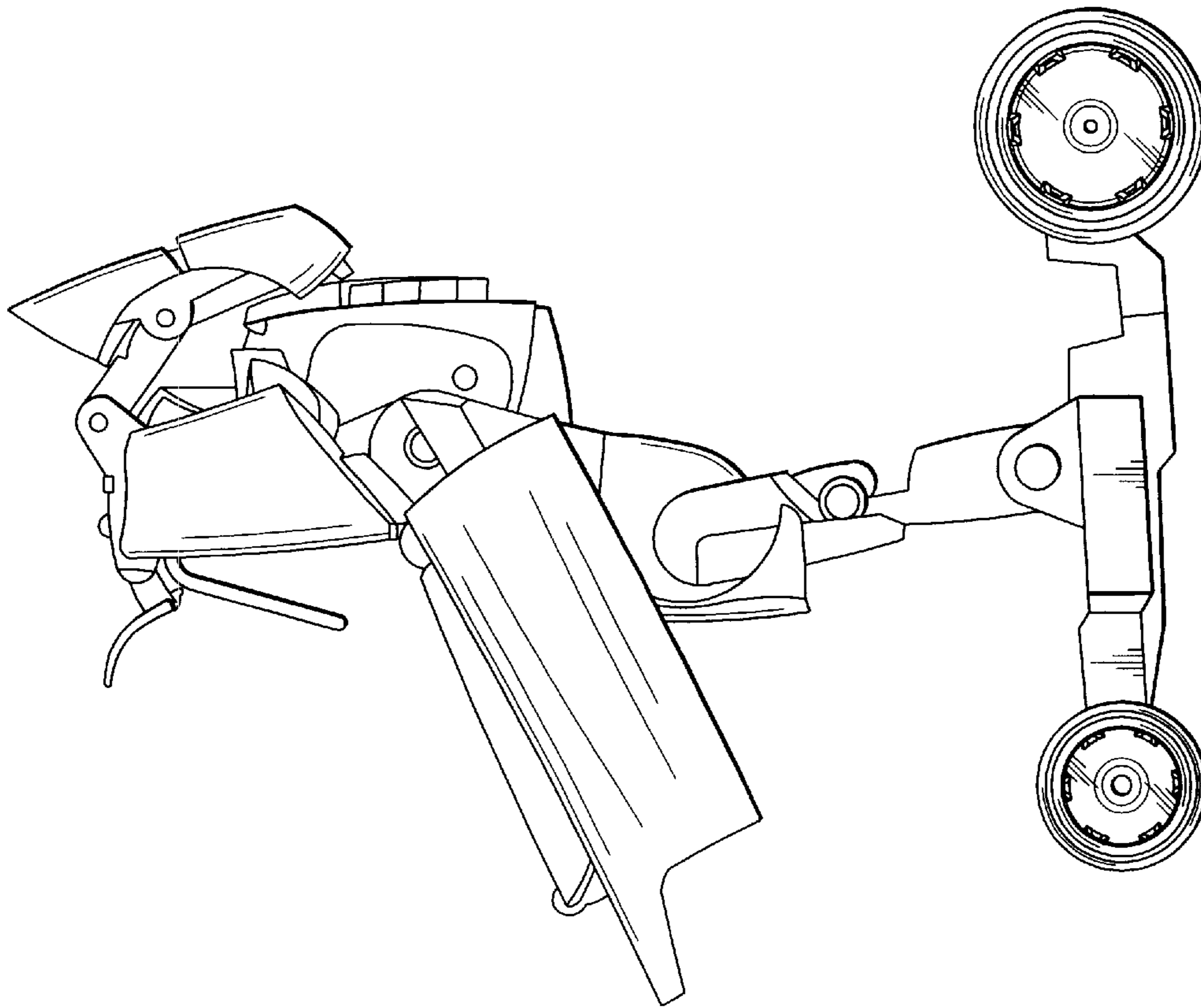


FIG. 7

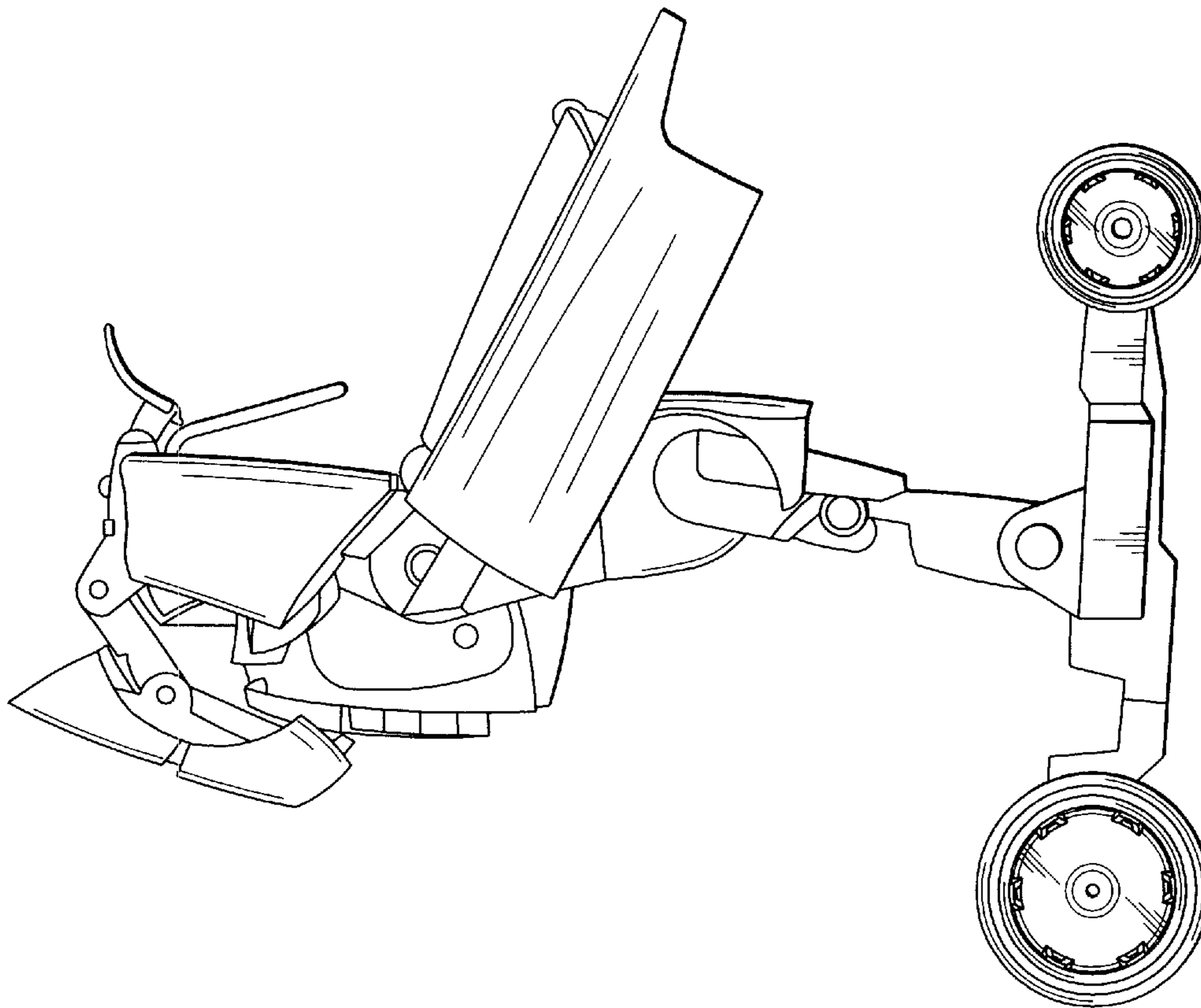


FIG. 8

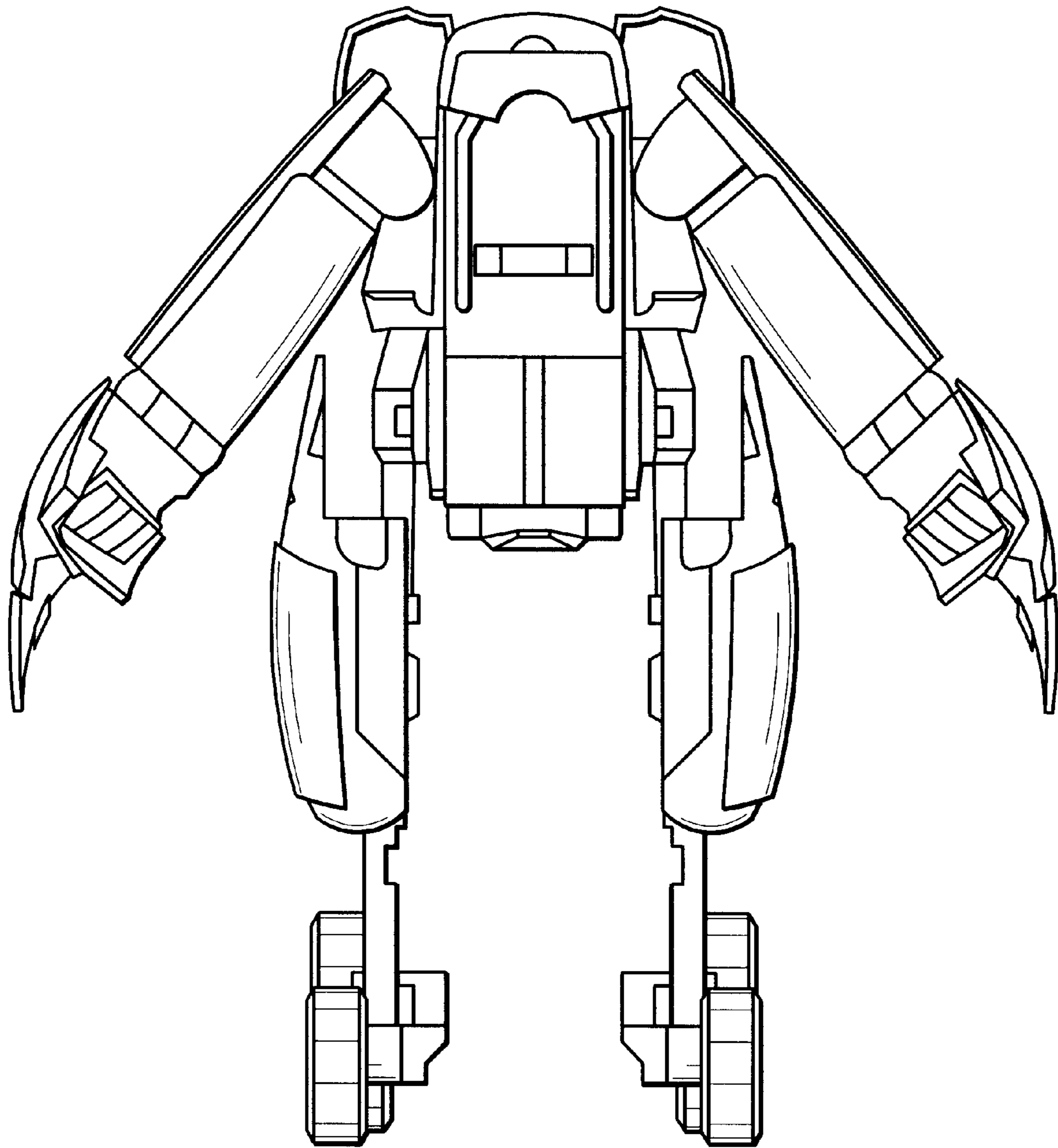


FIG. 9

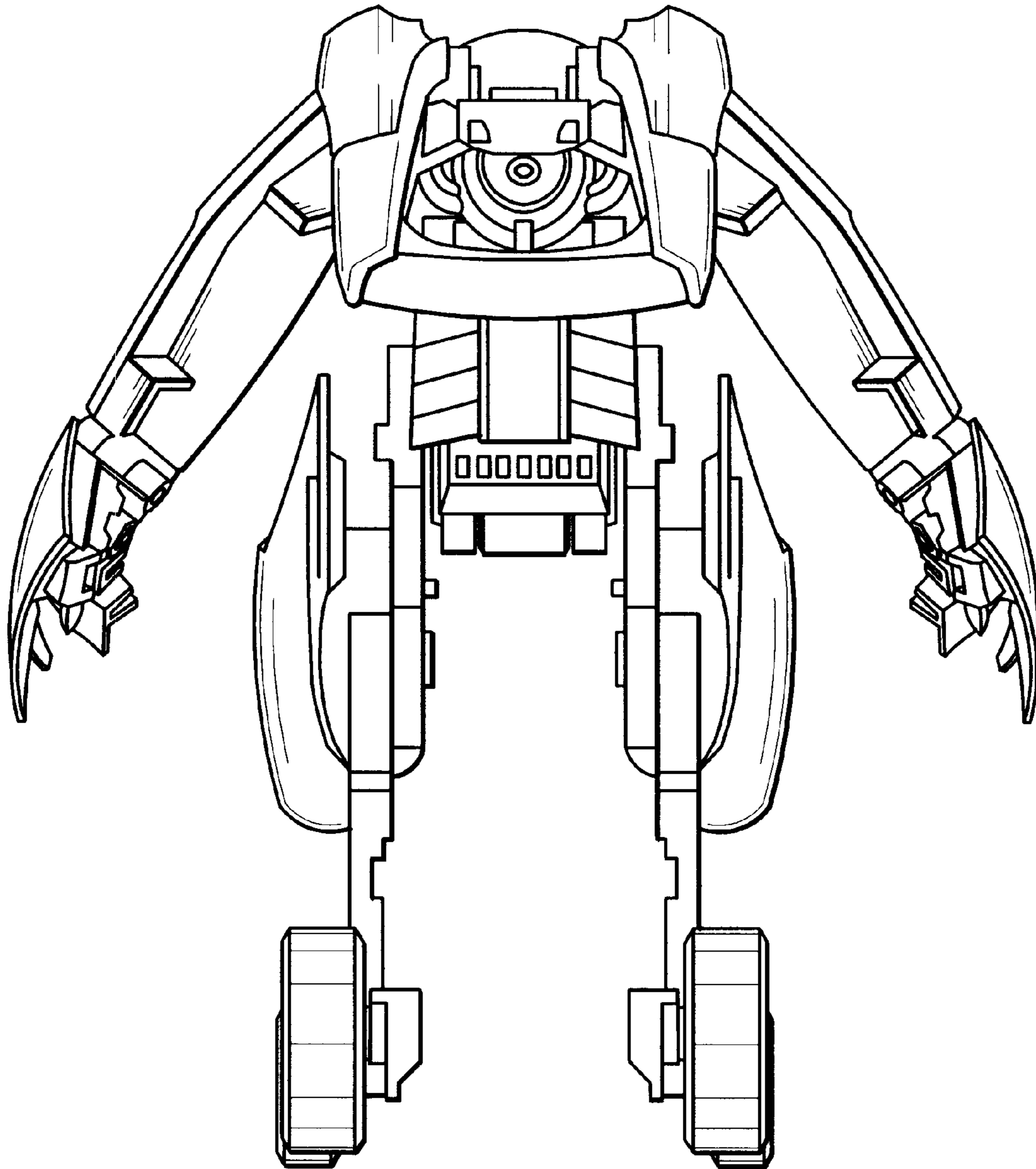


FIG. 10

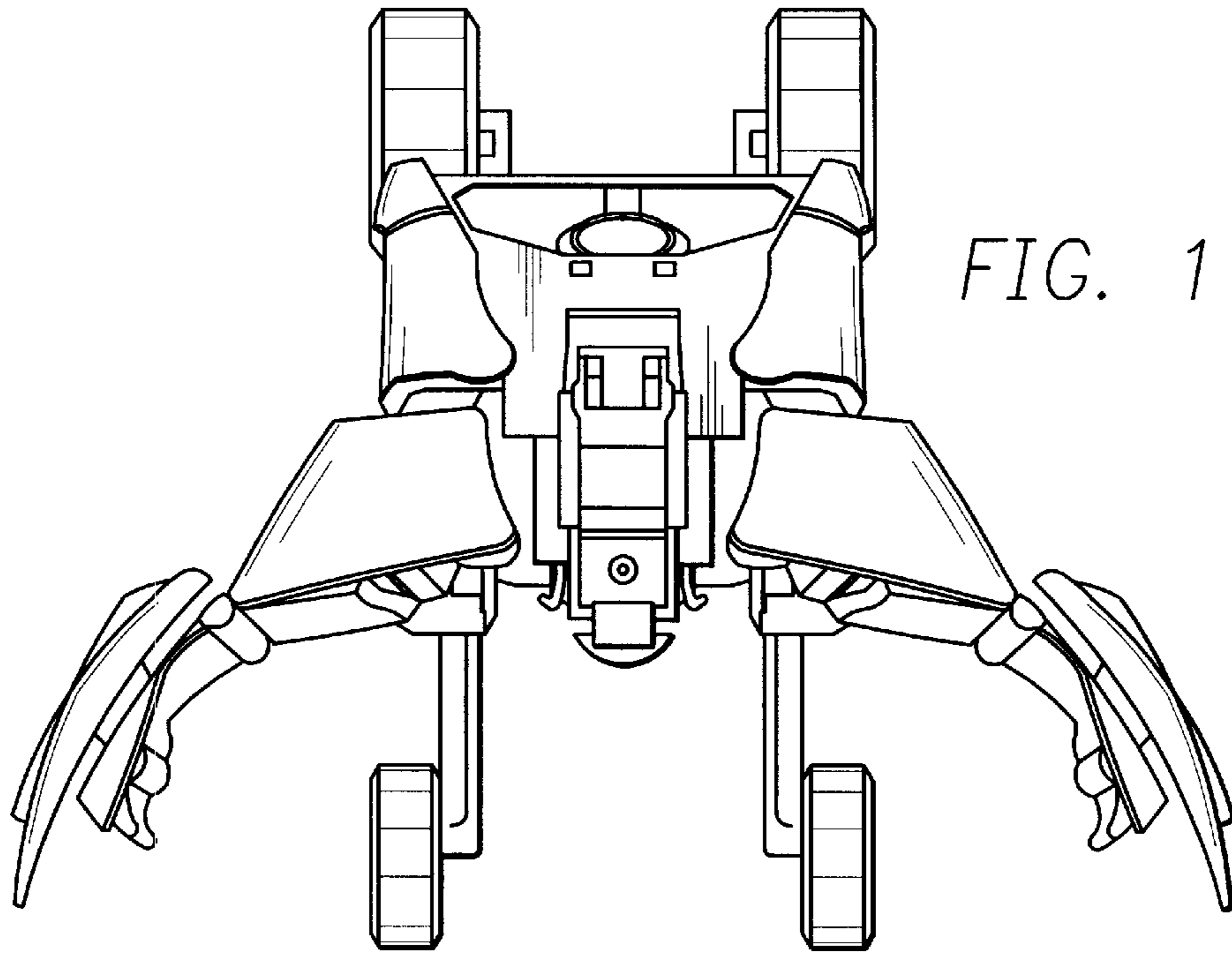


FIG. 11

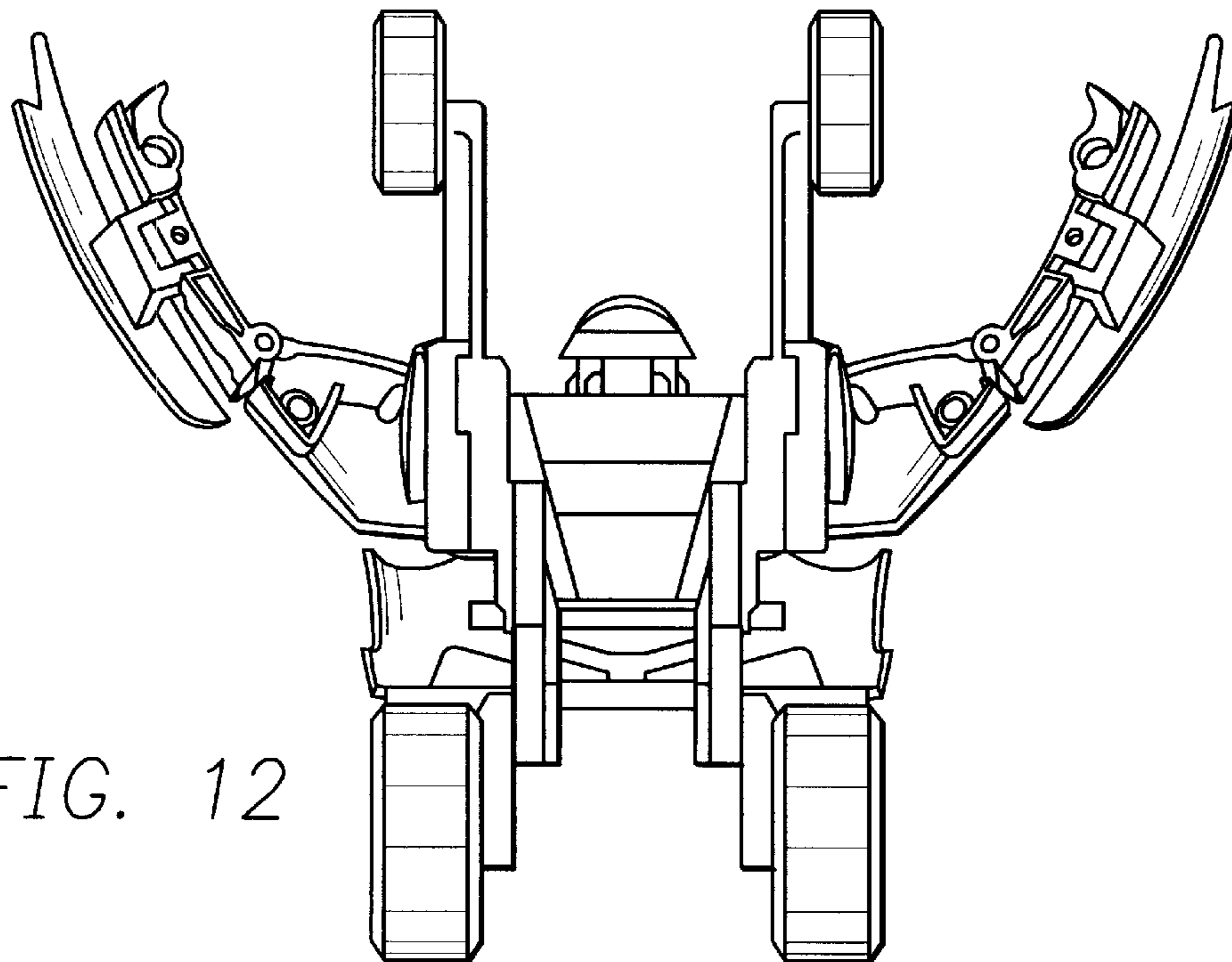


FIG. 12