



US00D542359S

(12) **United States Design Patent**
Vodhanel, Jr.

(10) **Patent No.:** **US D542,359 S**

(45) **Date of Patent:** **** May 8, 2007**

(54) **FLYING DISC FOR PLAYING DISC GOLF**

D295,429 S * 4/1988 Sandeen D21/443
6,767,269 B1 * 7/2004 Liu 446/71

(76) Inventor: **Joseph J. Vodhanel, Jr.**, 10937
Groveland Ave., Whittier, CA (US)
90603-2830

OTHER PUBLICATIONS

SPORTIME(R) Fall 2003 catalog, p. 76: Gradestuff (TM)
Foam Fliers.*

(**) Term: **14 Years**

* cited by examiner

(21) Appl. No.: **29/243,625**

Primary Examiner—Catherine Tuttle

(22) Filed: **Nov. 30, 2005**

(51) **LOC (8) Cl.** **21-01**

(52) **U.S. Cl.** **D21/443**

(58) **Field of Classification Search** D21/385-387,
D21/441-444, 707, 710; D30/160; D22/114;
473/588-590; 446/46-48; 273/317, 317.2,
273/350, 359, 362-364, 401, 288

See application file for complete search history.

(57) **CLAIM**

I claim the ornamental design for the “flying disc for playing disc golf,” as shown and described.

DESCRIPTION

FIG. 1 is a top plan view of a flying disc for playing disc golf showing my new design;

FIG. 2 is a cross sectional view taken along line 2—2 of FIG. 1;

FIG. 3 is a bottom plan view thereof;

FIG. 4 is a front perspective view thereof; and,

FIG. 5 is a front elevation view thereof. The rear, left and right elevation views are identical to the front view shown.

(56) **References Cited**

U.S. PATENT DOCUMENTS

D27,787 S * 10/1897 Barton D22/114
708,519 A * 9/1902 Bradshaw 473/589
3,959,915 A * 6/1976 Kettlestrings 446/46
4,157,631 A * 6/1979 Kifferstein et al. 446/46
4,453,338 A * 6/1984 Lehman 446/46

1 Claim, 2 Drawing Sheets

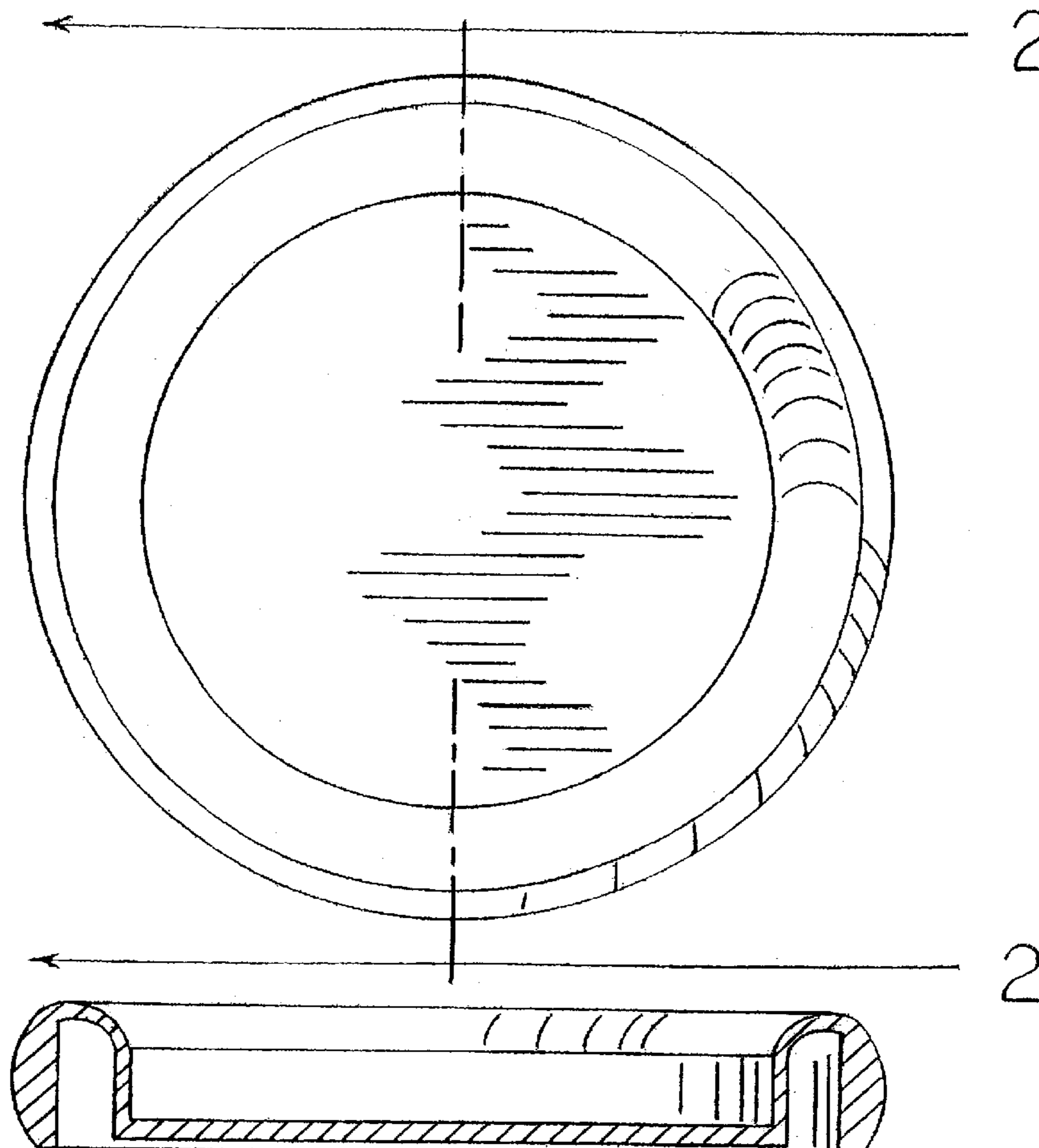


FIG. 1

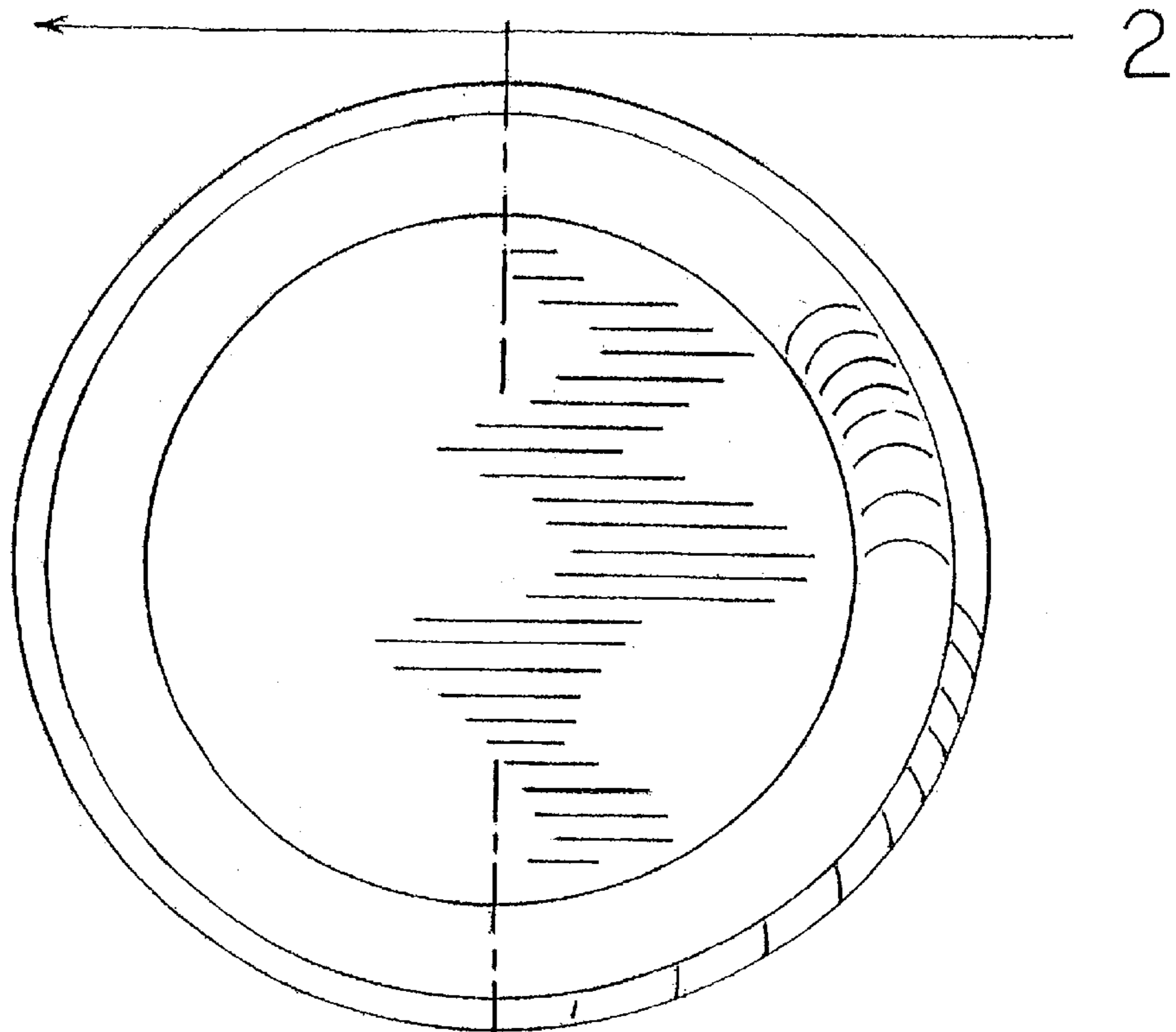


FIG. 2

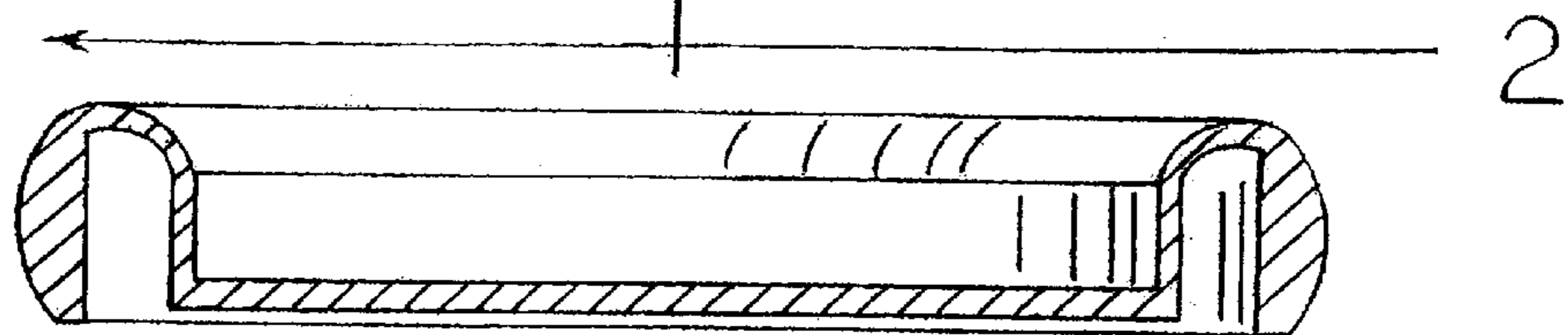
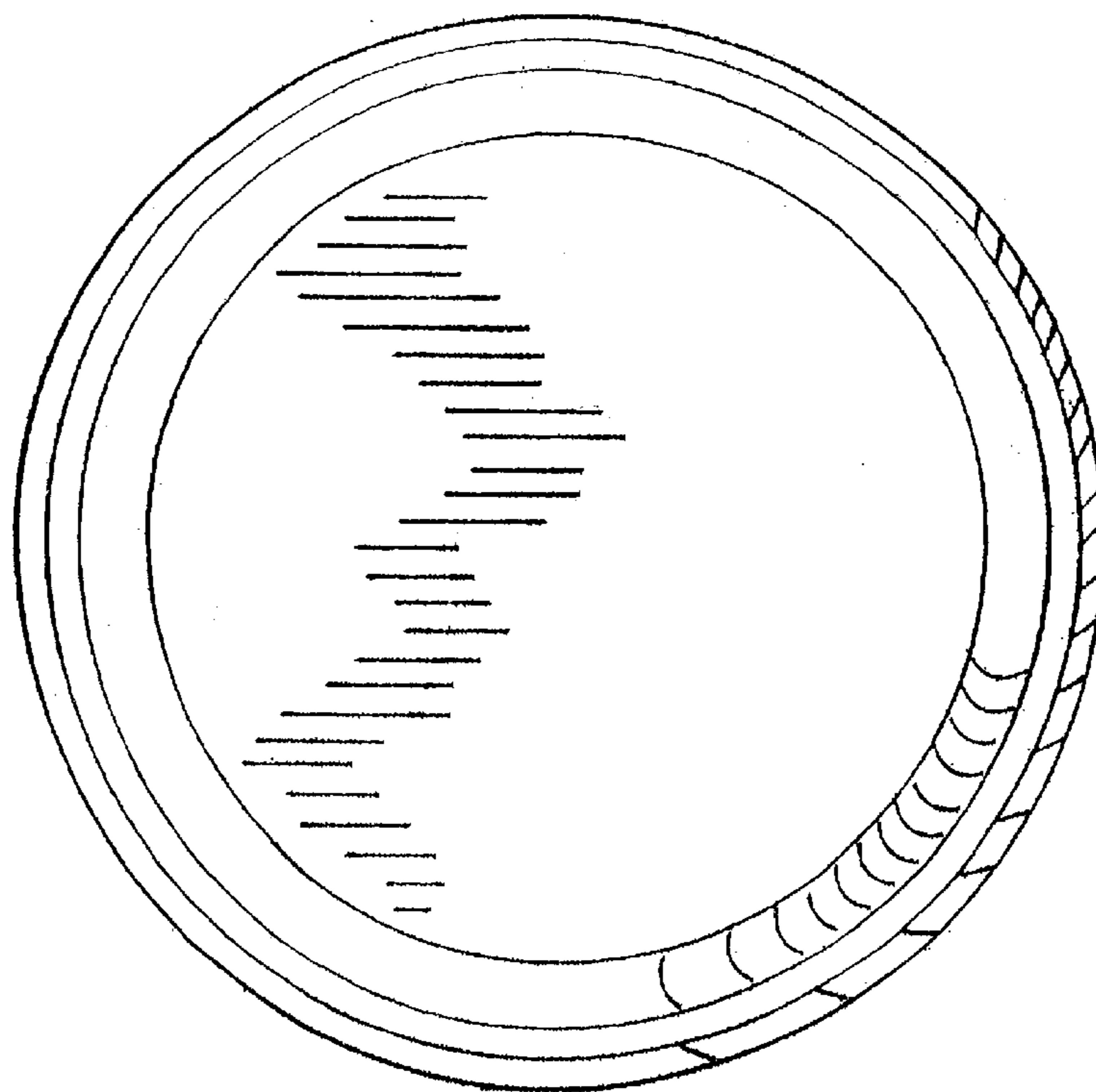


FIG. 3



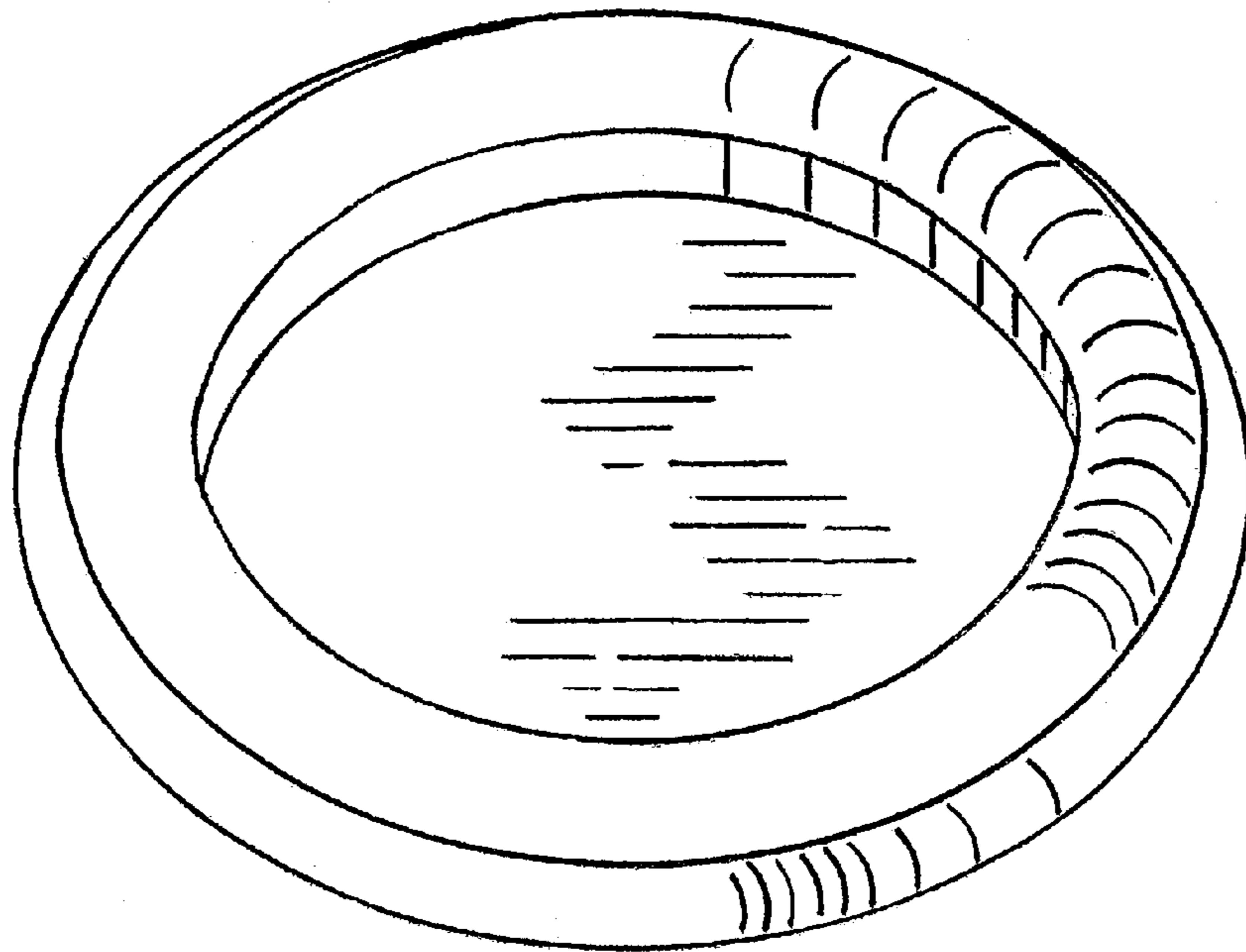


FIG. 4

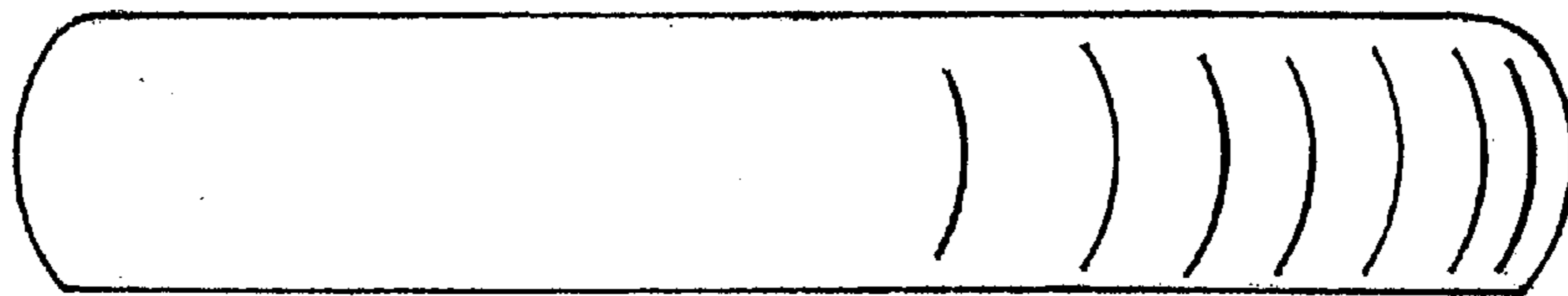


FIG. 5