



US00D542358S

(12) **United States Design Patent**
Proudfit et al.

(10) **Patent No.:** **US D542,358 S**

(45) **Date of Patent:** **** May 8, 2007**

- (54) **FISHING VIDEO GAME CONTROLLER**
- (75) Inventors: **Jon Proudfit**, Thousand Oaks, CA (US); **Kurt Krebs**, MoorPark, CA (US)
- (73) Assignee: **Jakks Pacific Inc**, Malibu, CA (US)
- (**) Term: **14 Years**

D397,371 S	*	8/1998	Bagley	D21/329
D397,372 S	*	8/1998	Riggs	D21/329
D404,433 S	*	1/1999	Au Yeung	D21/329
D420,398 S	*	2/2000	Fai	D21/329
D423,600 S	*	4/2000	Bagley et al.	D21/329
D428,937 S	*	8/2000	Clemmer et al.	D21/329
D437,359 S	*	2/2001	Discoe	D21/329

* cited by examiner

- (21) Appl. No.: **29/235,349**
- (22) Filed: **Jul. 29, 2005**

Primary Examiner—Prabhakar Deshmukh
(74) *Attorney, Agent, or Firm*—Tope-McKay & Associates

- (51) **LOC (8) Cl.** **21-01**
- (52) **U.S. Cl.** **D21/329**
- (58) **Field of Classification Search** D21/324,
D21/329, 330, 333; 273/148 B, 457; 463/29-35,
463/46, 47; D22/134, 138, 139, 148; 345/156,
345/903; 43/1, 17, 18.1
See application file for complete search history.

(57) **CLAIM**

The ornamental design for a fishing video game controller, as shown.

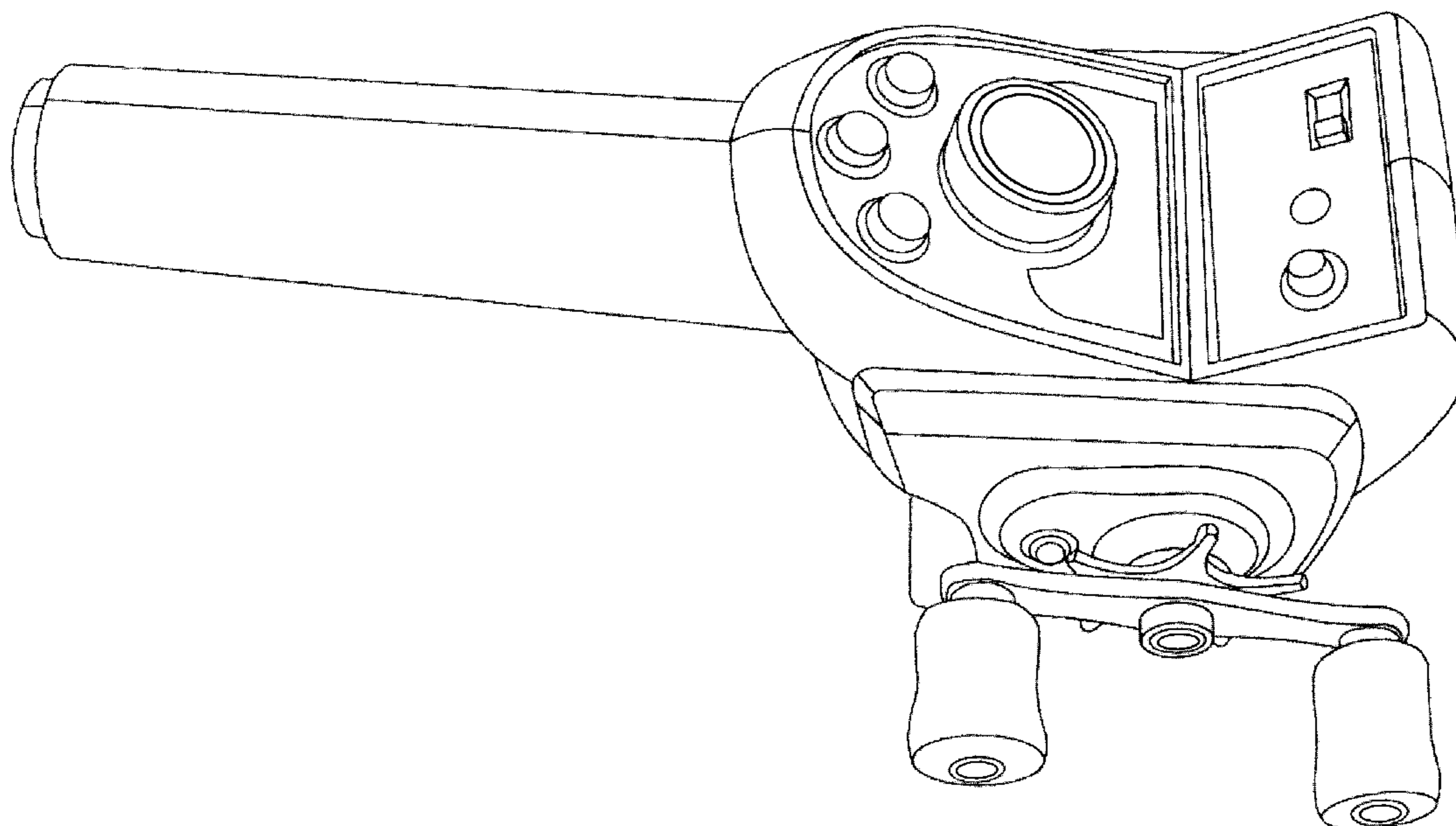
DESCRIPTION

FIG. 1 is a top perspective view of a fishing video game controller;
FIG. 2 is a top orthogonal view thereof;
FIG. 3 is a bottom orthogonal view thereof;
FIG. 4 is a right orthogonal view thereof;
FIG. 5 is a left orthogonal view thereof;
FIG. 6 is a back orthogonal view thereof; and,
FIG. 7 is a front perspective view thereof.

(56) **References Cited**
U.S. PATENT DOCUMENTS

D49,284 S	*	6/1916	Schmitt	D22/138
2,237,370 A	*	4/1941	Shekter	177/233
5,232,223 A	*	8/1993	Dornbusch	463/37
5,542,672 A	*	8/1996	Meredith	463/37
5,730,655 A	*	3/1998	Meredith	463/37

1 Claim, 7 Drawing Sheets



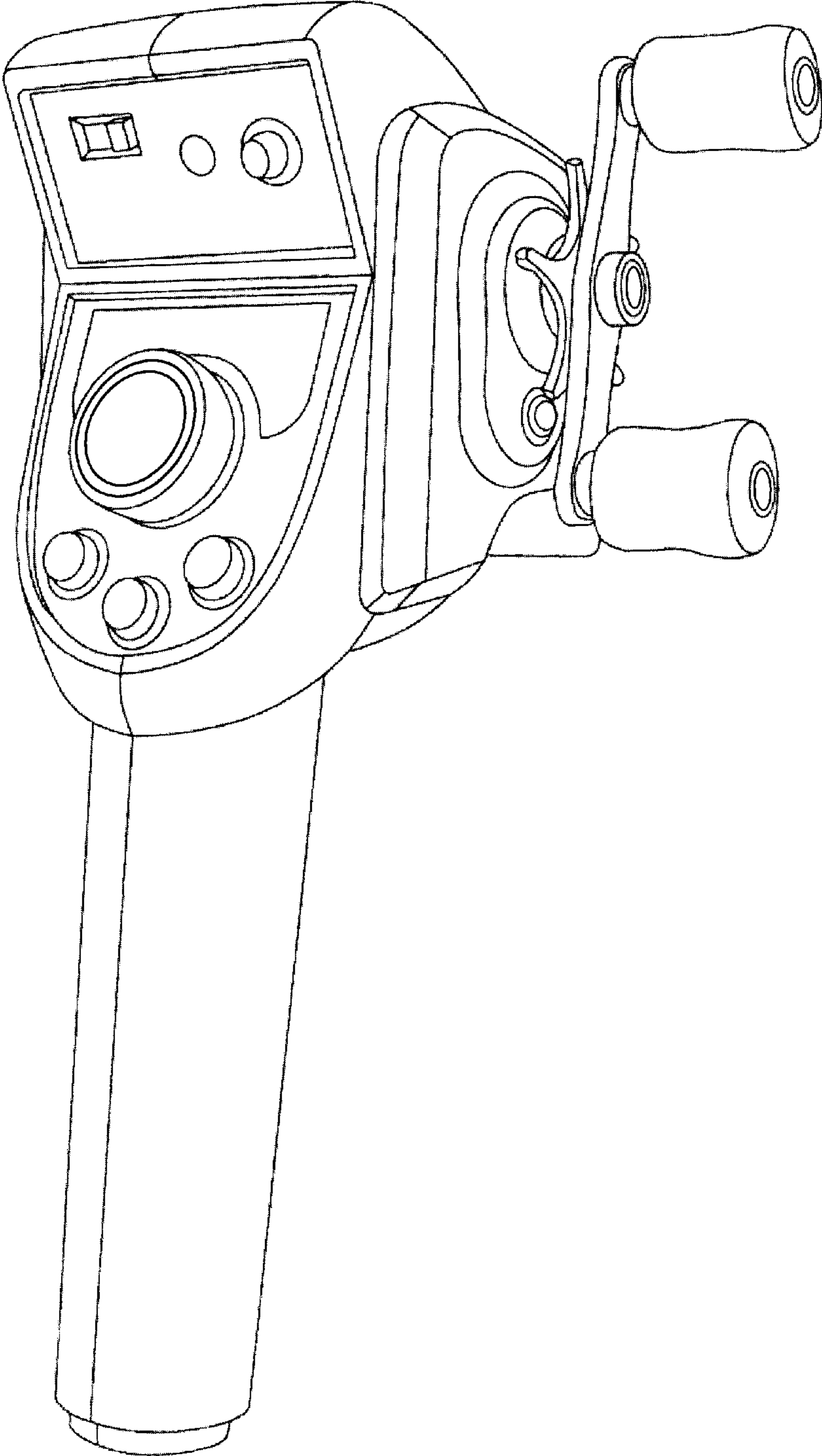


FIG. 1

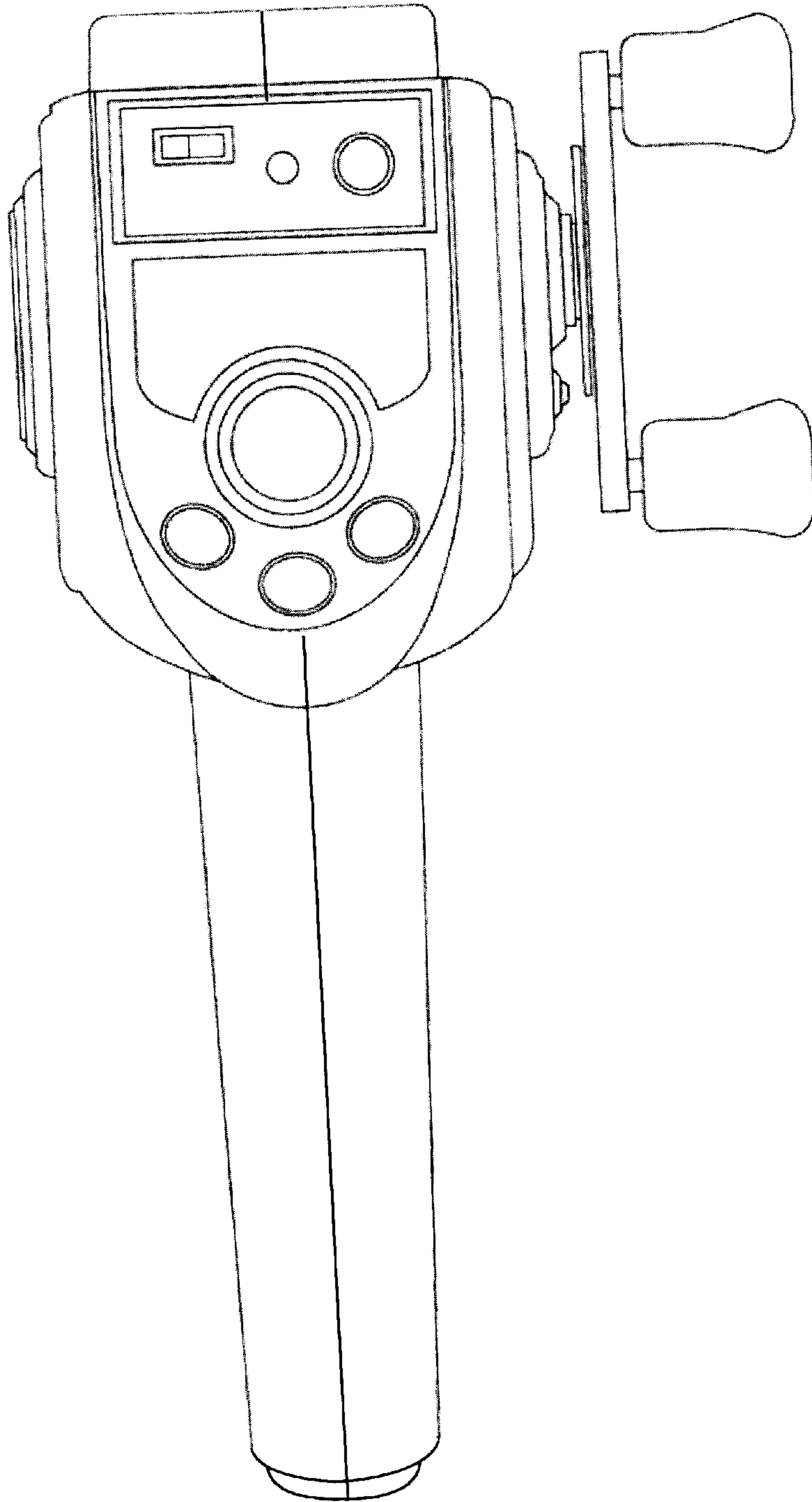


FIG. 2

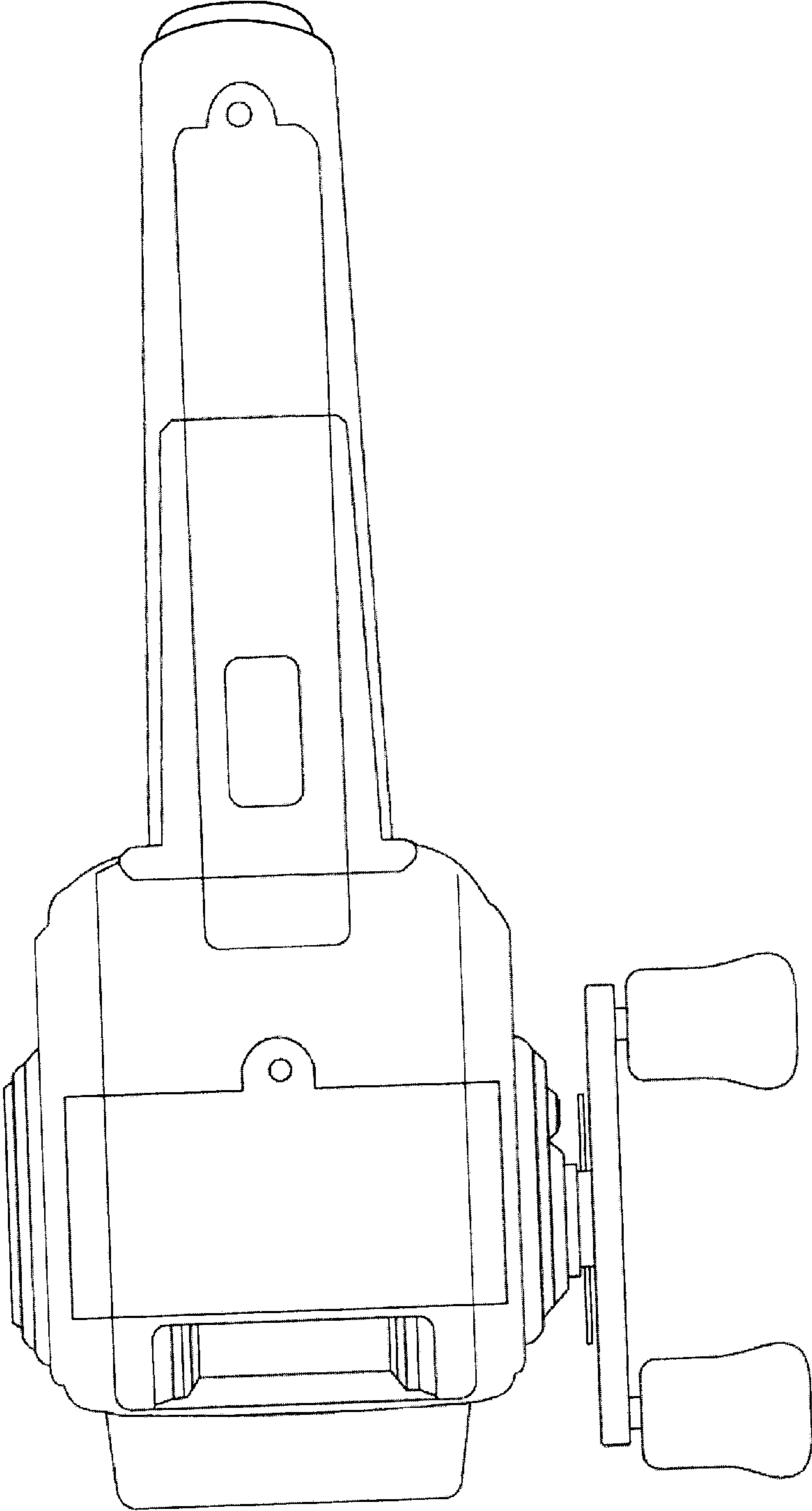


FIG. 3

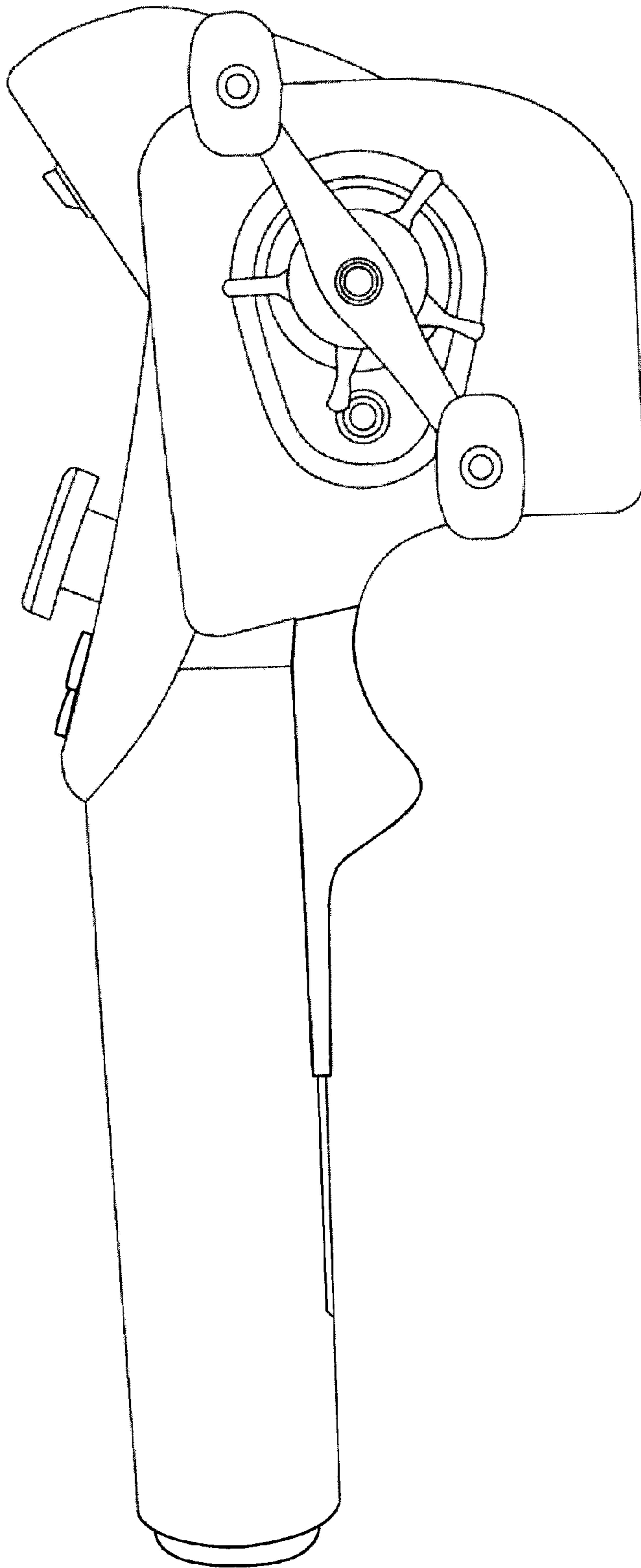


FIG. 4

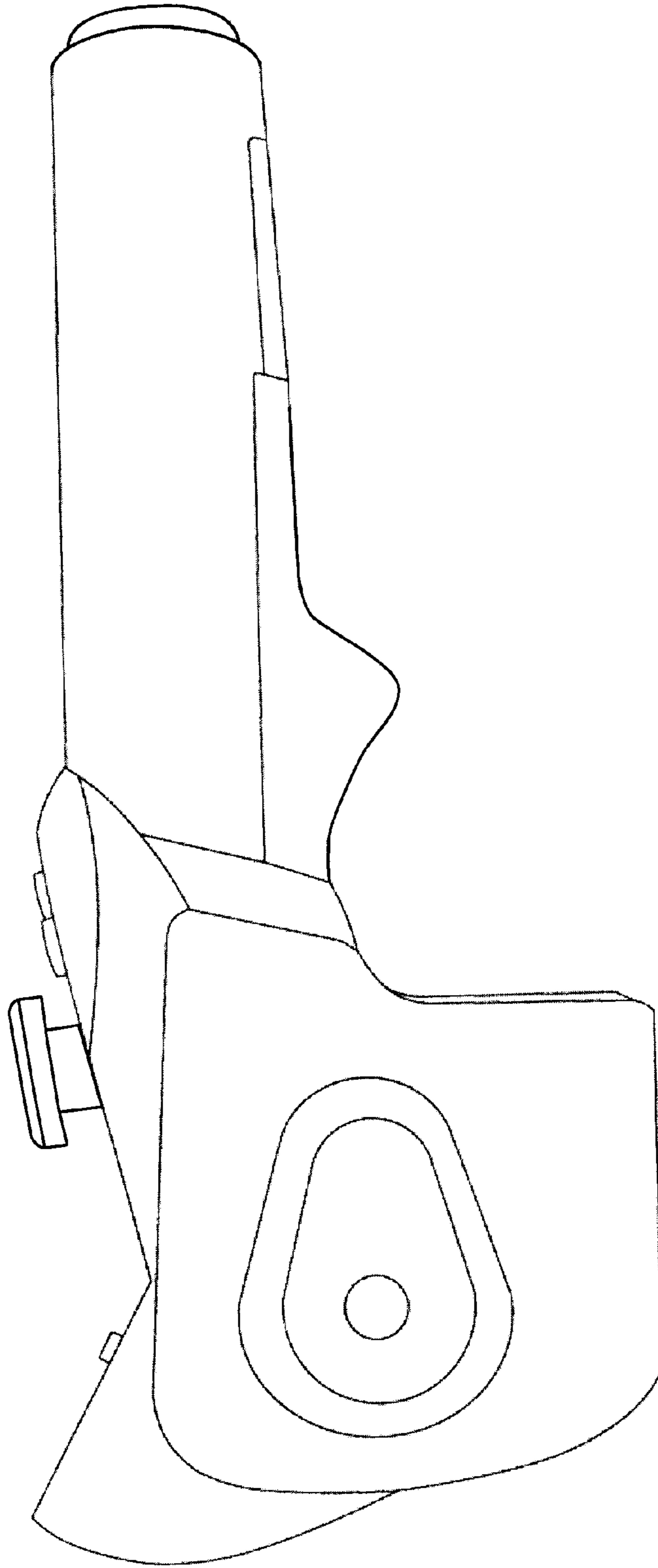


FIG. 5

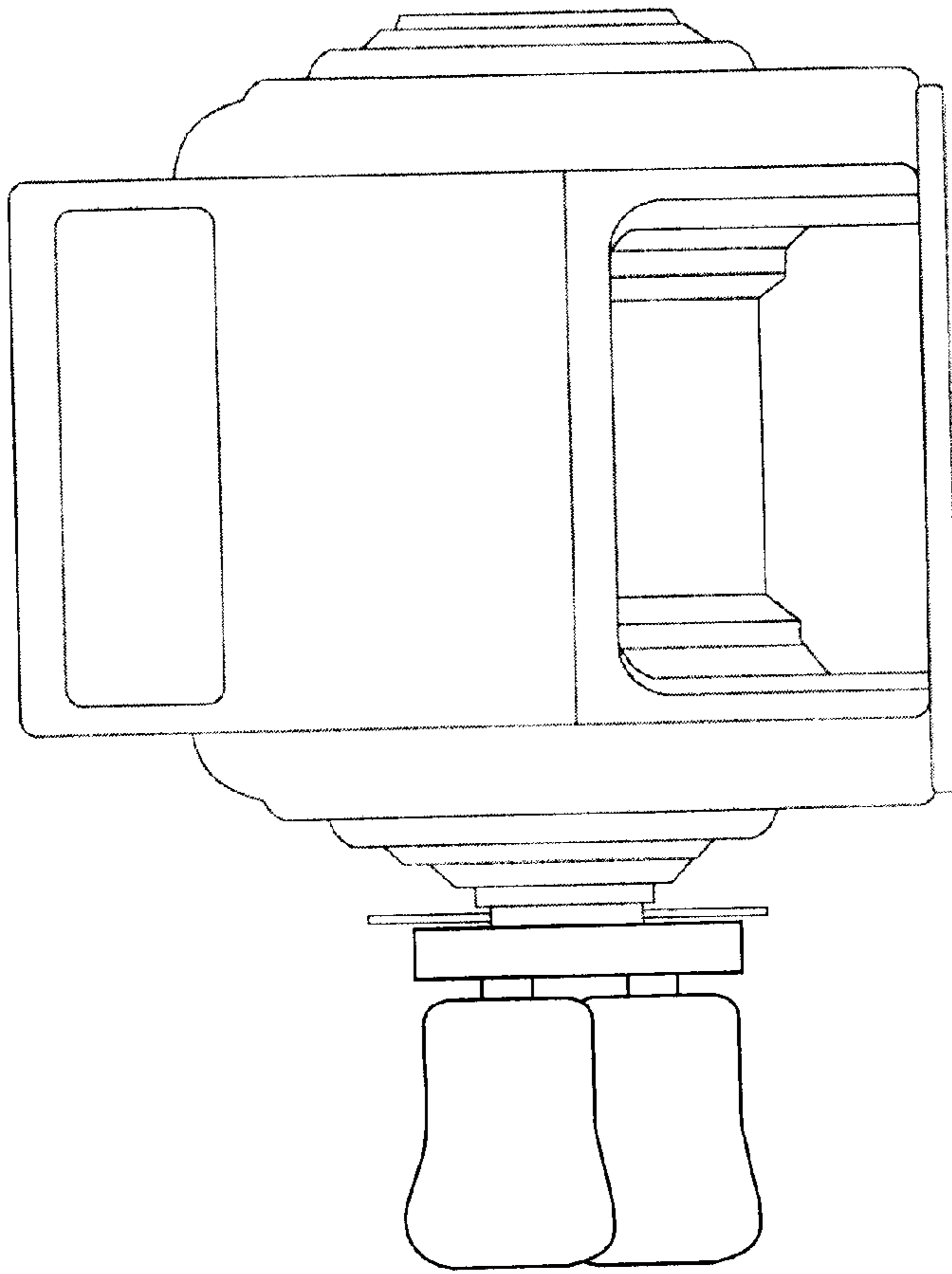


FIG. 6

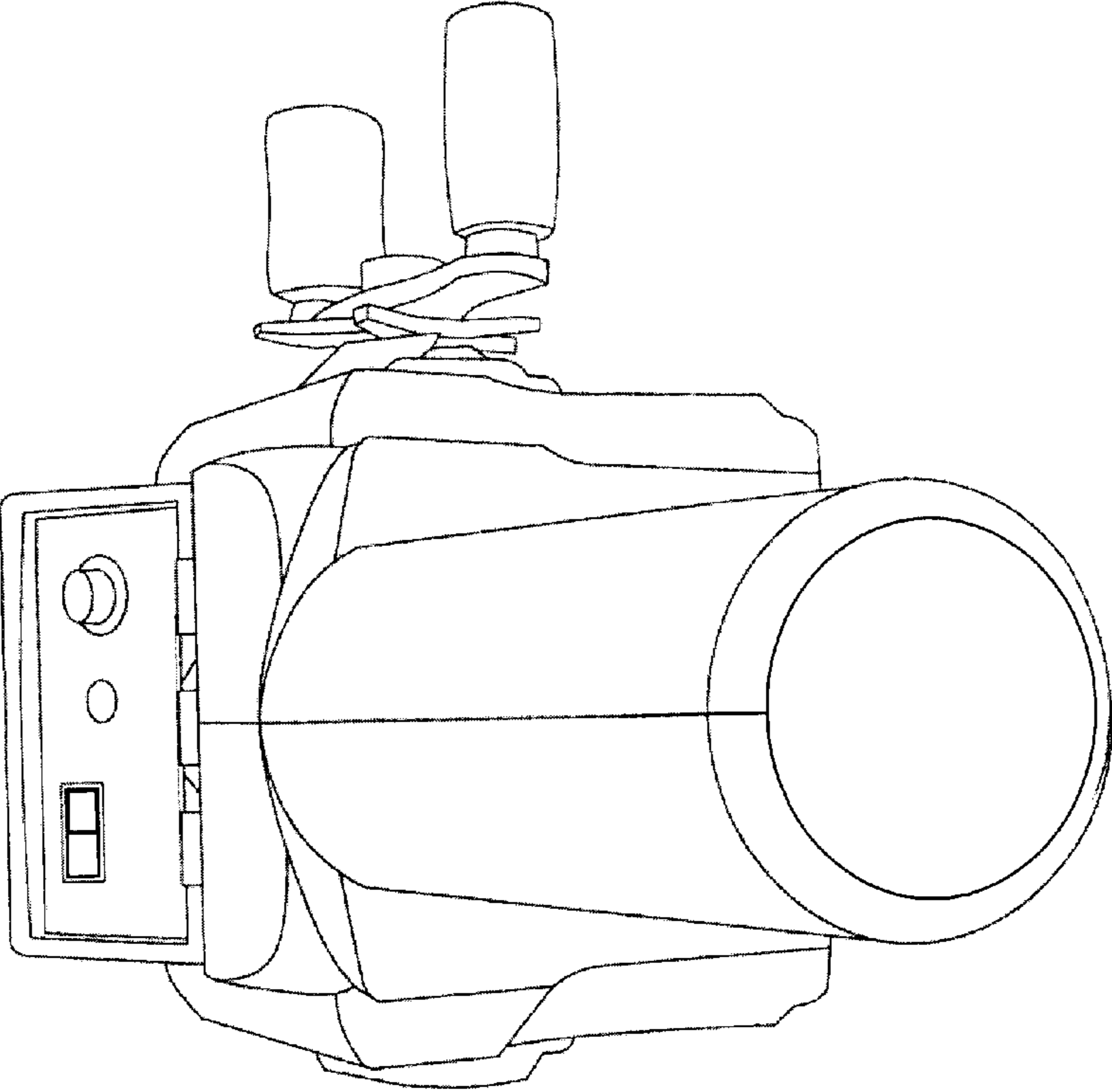


FIG. 7