

US00D542357S

(12) **United States Design Patent**
Kirchenschlager

(10) **Patent No.:** **US D542,357 S**

(45) **Date of Patent:** **** May 8, 2007**

(54) **ROPING TOY**

6,945,534 B1 * 9/2005 Lindsey 273/359

(76) Inventor: **Candice L. Kirchenschlager**, 1091
County Road 104, Walnut Springs, TX
(US) 76690

* cited by examiner

Primary Examiner—Sandra L. Morris
(74) *Attorney, Agent, or Firm*—Dennis T. Griggs

(**) Term: **14 Years**

(57) **CLAIM**

(21) Appl. No.: **29/253,429**

The ornamental design for a roping toy, as shown and described.

(22) Filed: **Feb. 6, 2006**

DESCRIPTION

(51) **LOC (8) Cl.** **21-01**

(52) **U.S. Cl.** **D21/304; D21/610**

(58) **Field of Classification Search** D21/302,
D21/304, 576–578, 585–592, 610, 827; D11/158;
273/348, 359, 440; 446/72, 97–98, 268–269;
482/35–36

See application file for complete search history.

FIG. 1 is a perspective view of a roping toy showing my new design;

FIG. 2 is a front elevation view thereof;

FIG. 3 is a rear elevation view thereof;

FIG. 4 is a left side elevation view thereof, the right side view being a mirror image thereof;

FIG. 5 is a top plan view thereof;

FIG. 6 is a perspective view of a roping toy showing an alternative embodiment of my new design;

FIG. 7 is a front elevation view thereof;

FIG. 8 is a rear elevation view thereof;

FIG. 9 is a left side elevation view thereof, the right side view being a mirror image thereof; and,

FIG. 10 is a top plan view thereof.

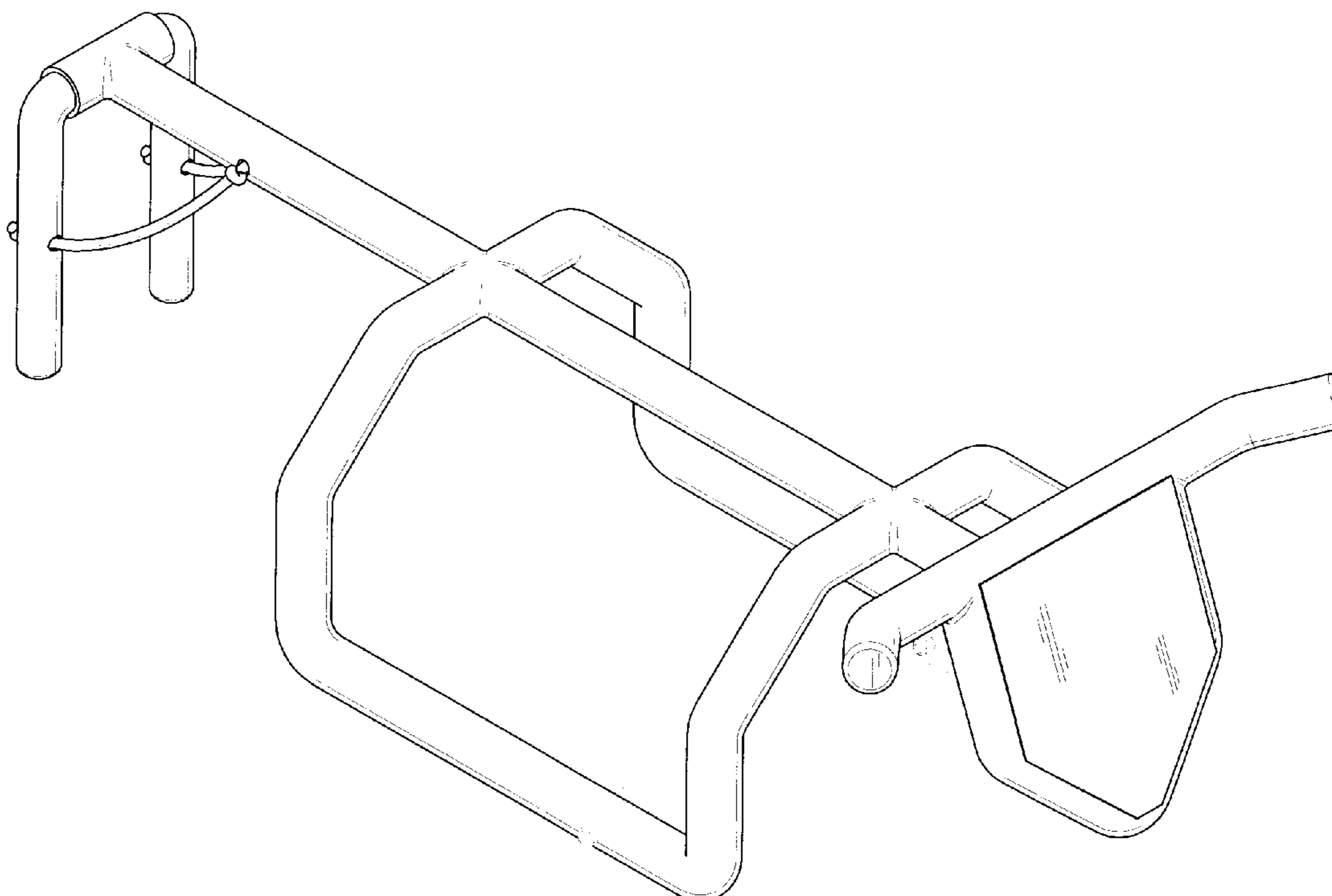
The bottom view of my roping toy is omitted and forms no part of the claimed design. The dashed lines in FIGS. 1–5 are shown for environmental purposes only and form no part of the claimed design.

(56) **References Cited**

U.S. PATENT DOCUMENTS

D136,922 S	*	12/1943	Rebholz	D21/610
D185,508 S	*	6/1959	Overton	D21/827
D194,914 S	*	4/1963	Markham	D21/610
D230,282 S	*	2/1974	Johnson	D11/158
D236,275 S	*	8/1975	Rudy	D21/827
D246,060 S	*	10/1977	Murphy	D21/827
D273,405 S	*	4/1984	Raffo et al.	D21/610
4,981,302 A	*	1/1991	Narramore	273/339
5,568,926 A	*	10/1996	Kaptein	273/359
6,629,695 B2	*	10/2003	Tisdell	273/359
6,736,399 B1	*	5/2004	Copenhaver	273/359

1 Claim, 8 Drawing Sheets



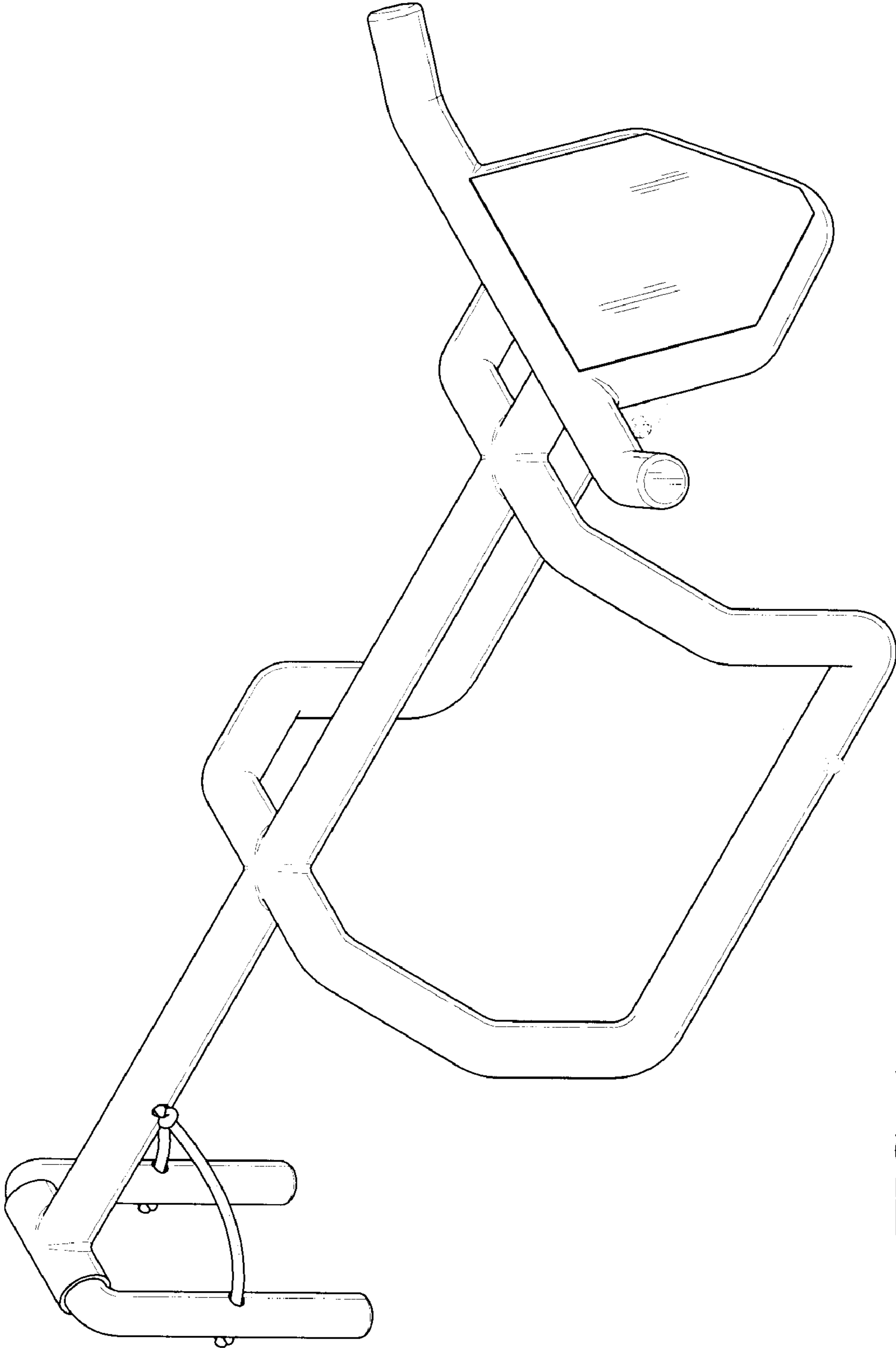


FIG. 1

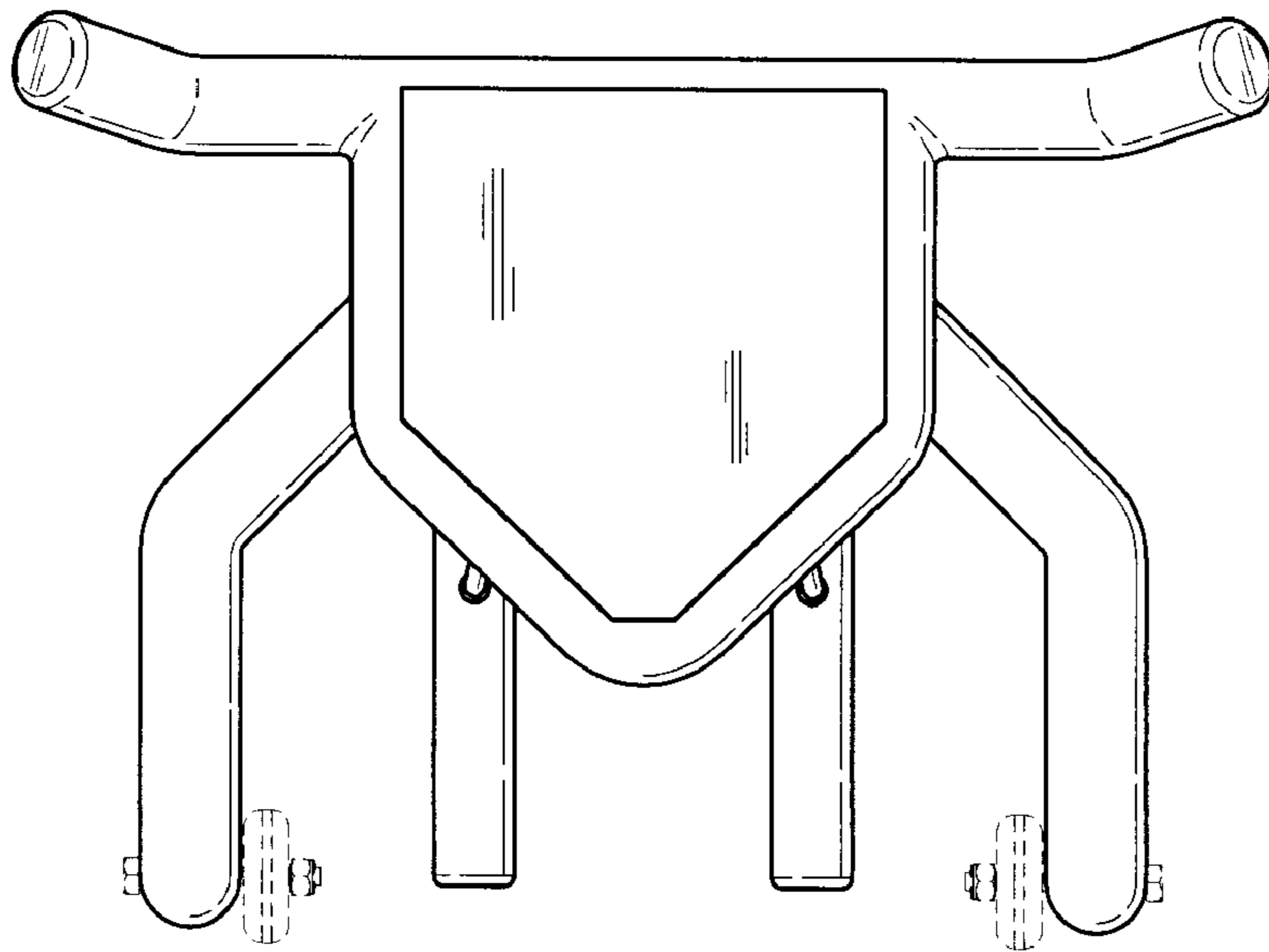


FIG. 2

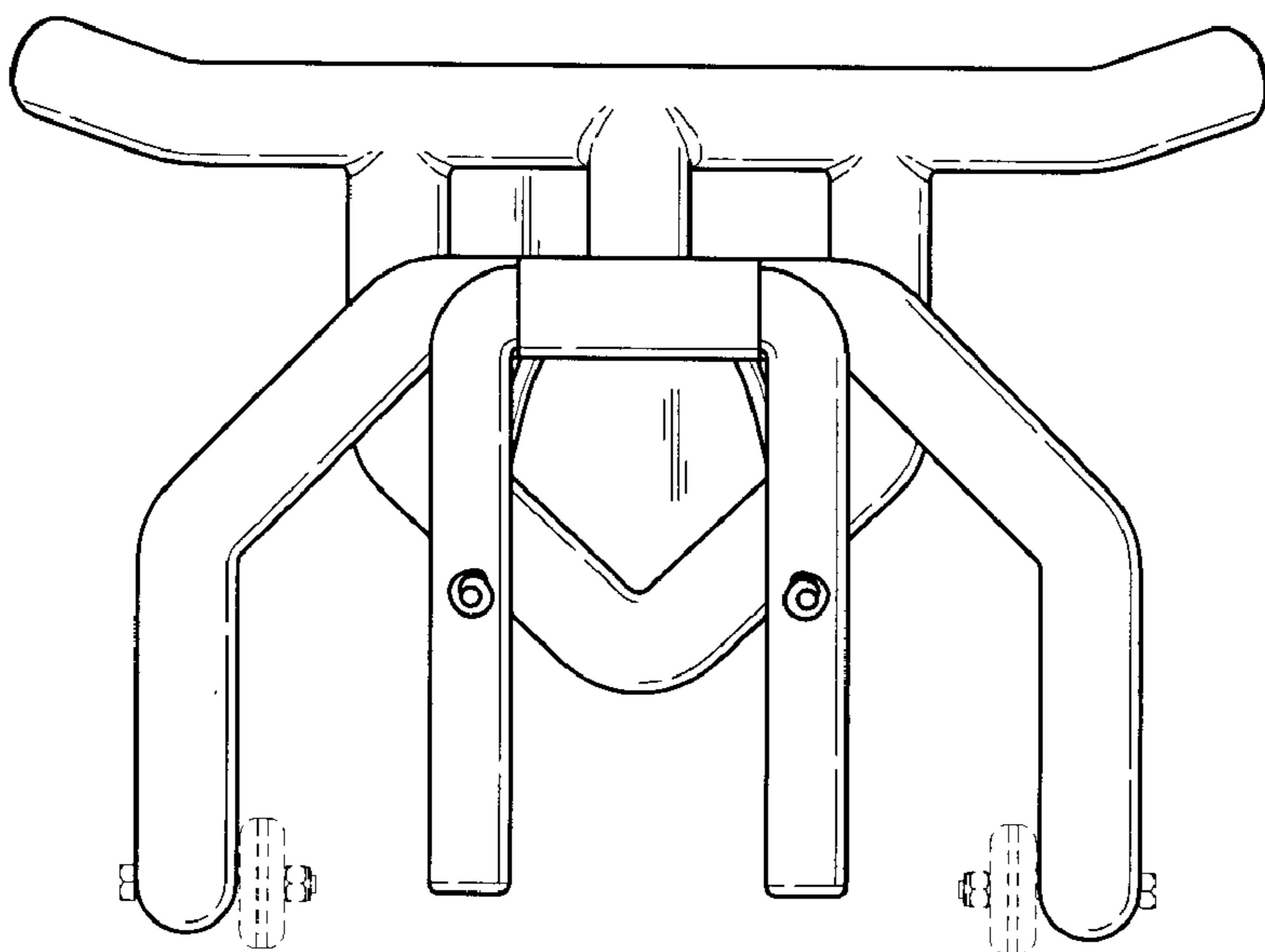


FIG. 3

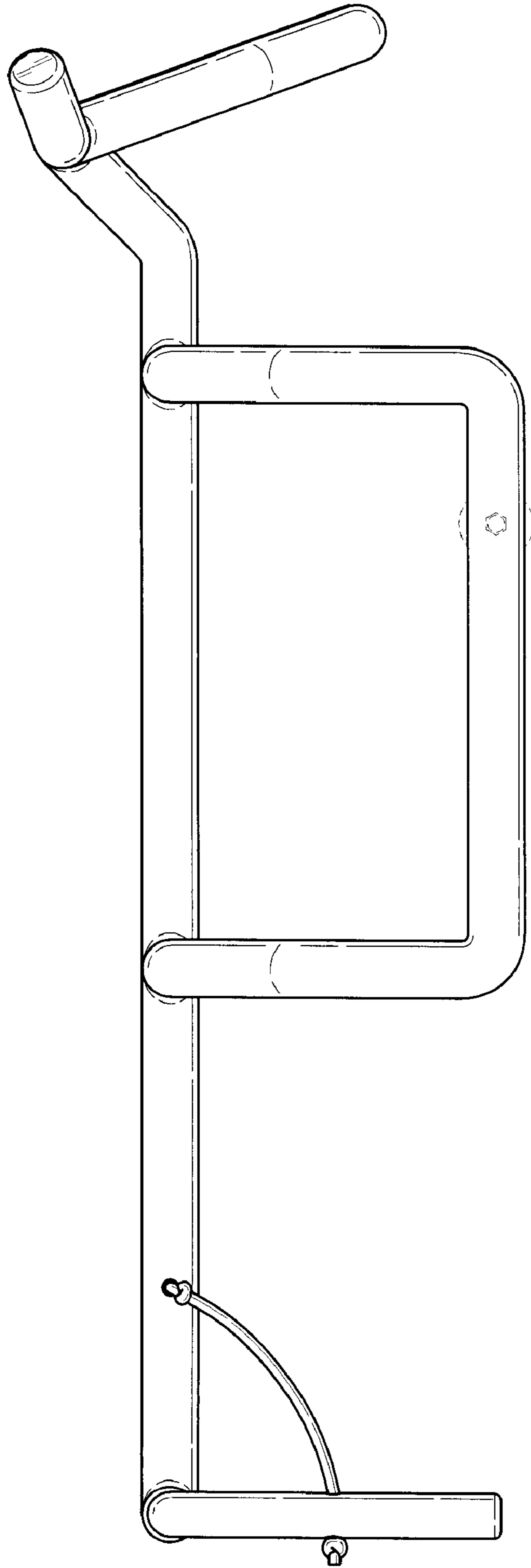


FIG. 4

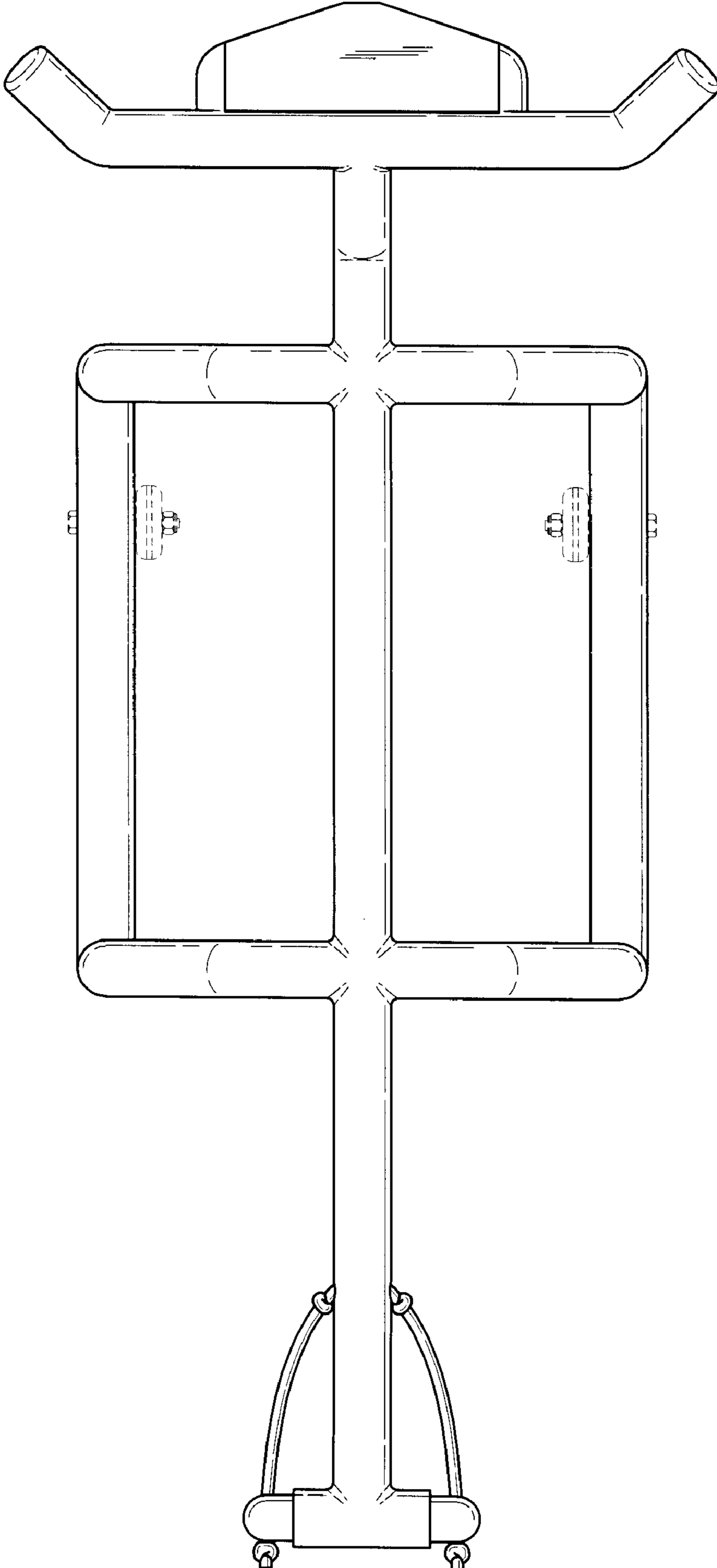


FIG. 5

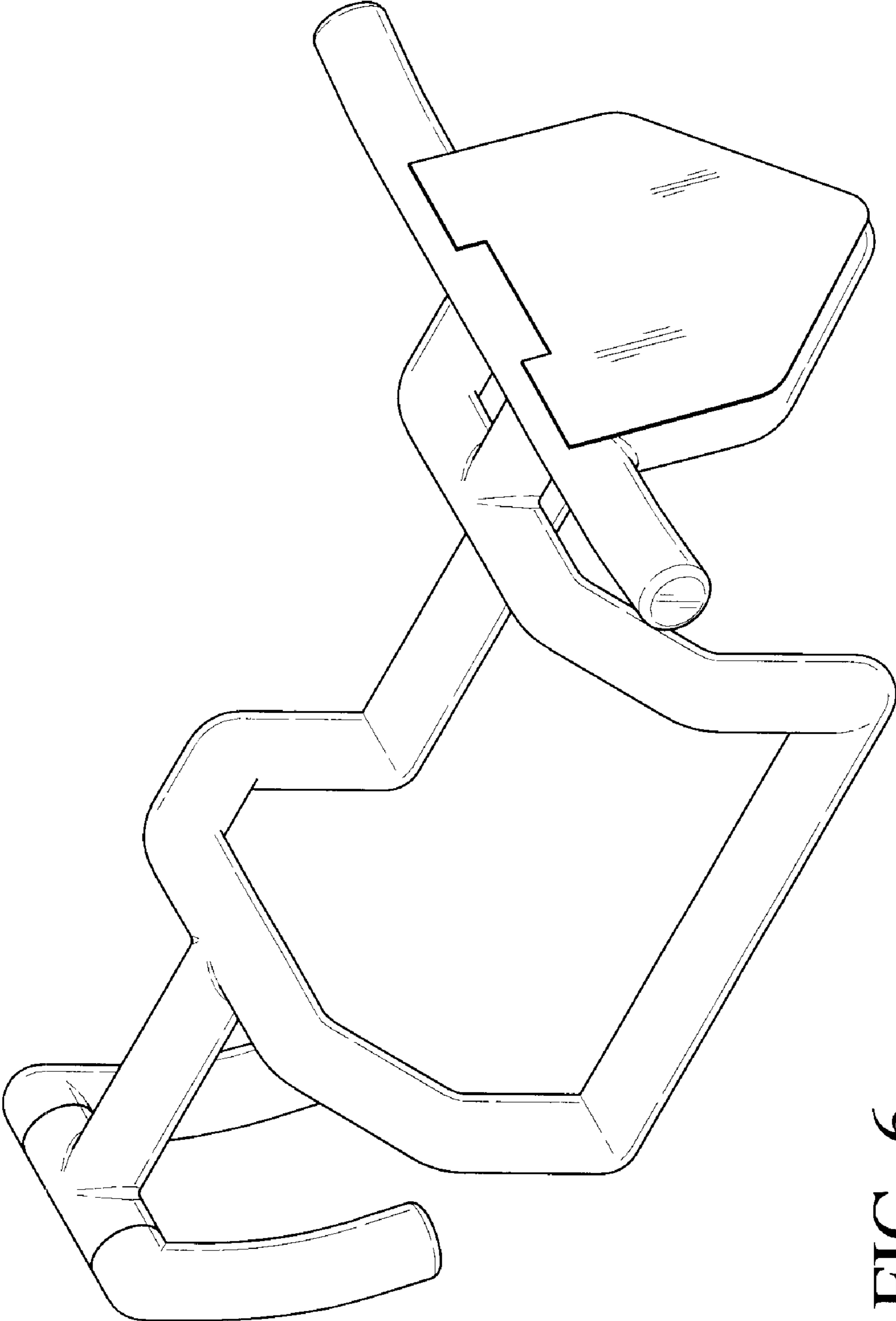


FIG. 6

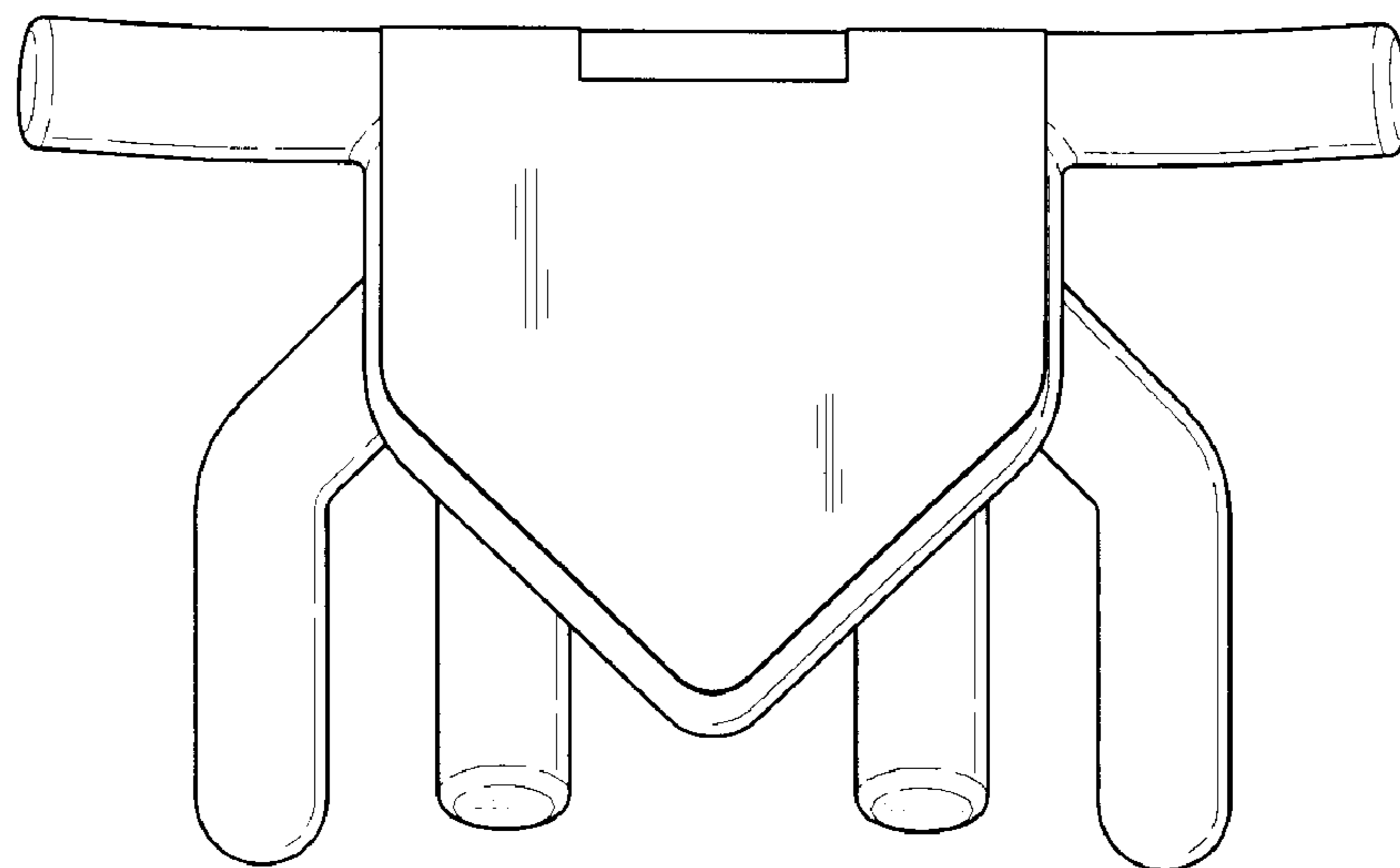


FIG. 7

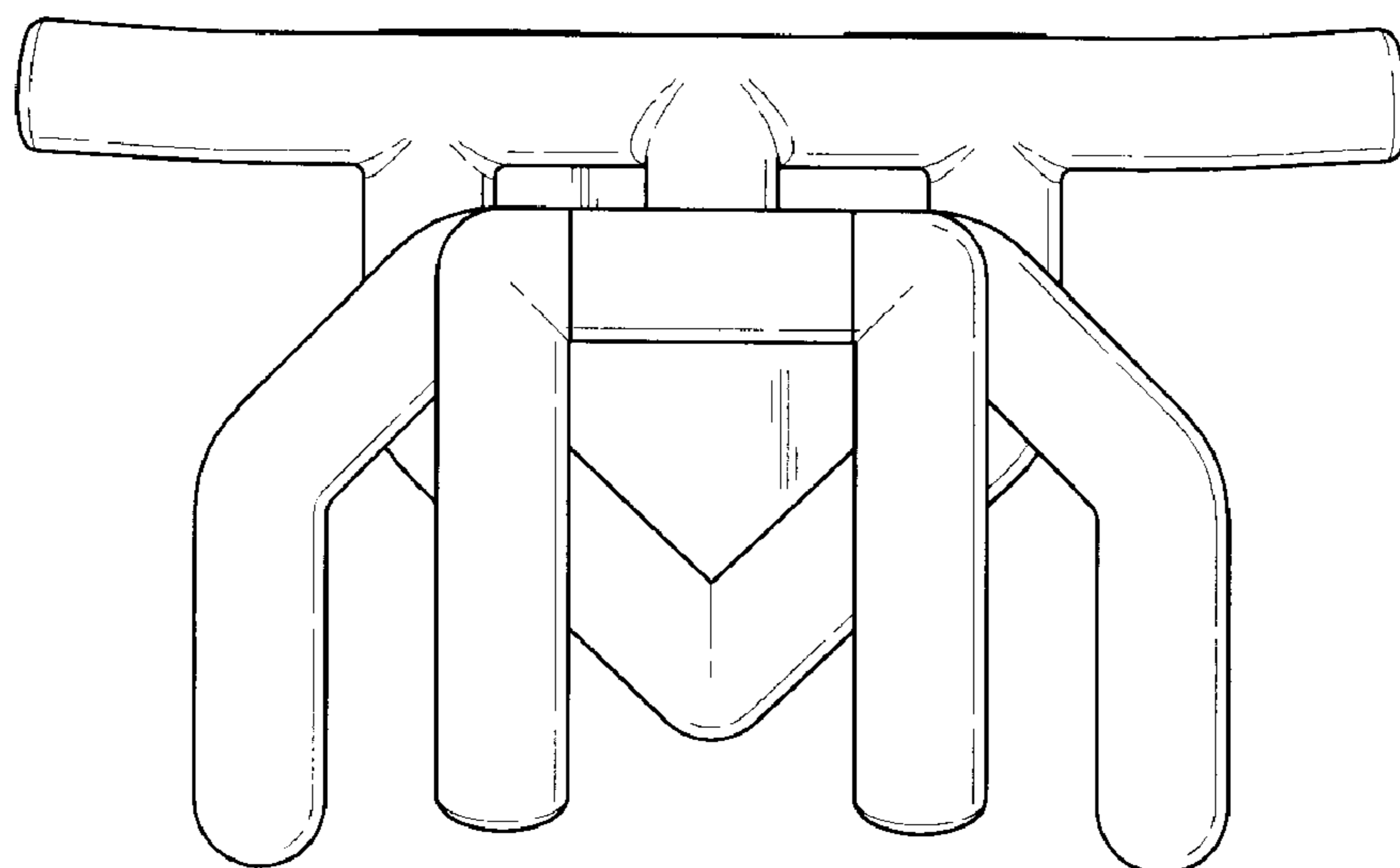


FIG. 8

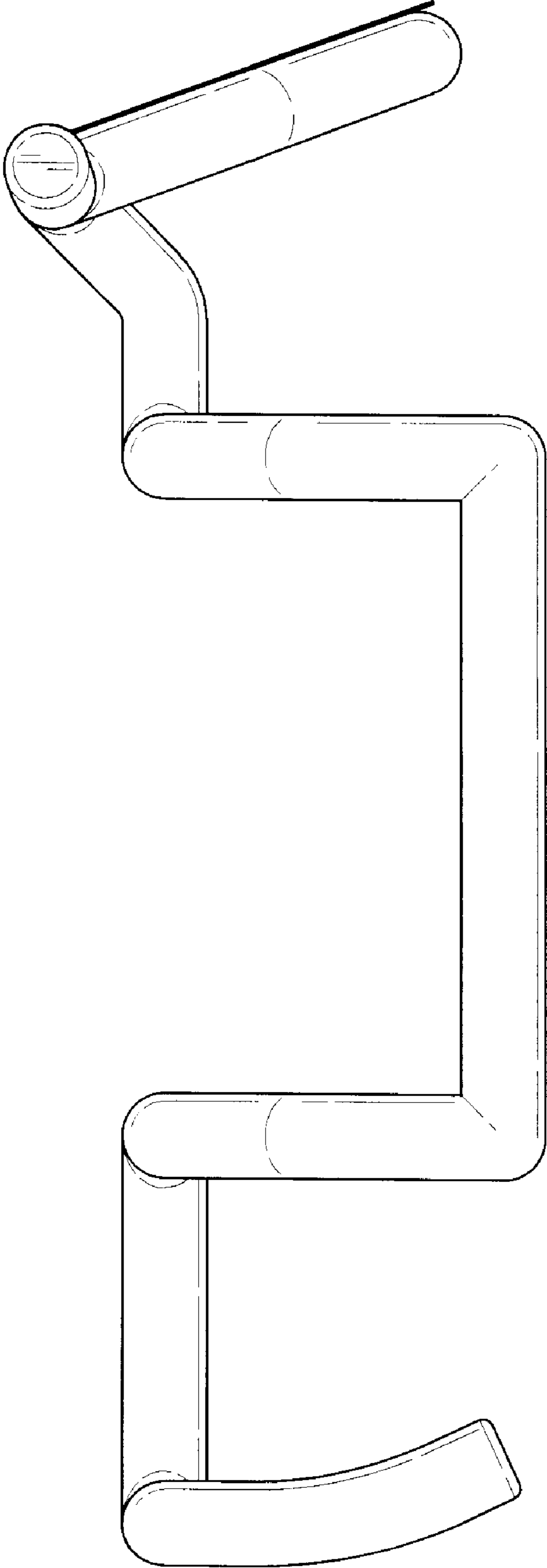


FIG. 9

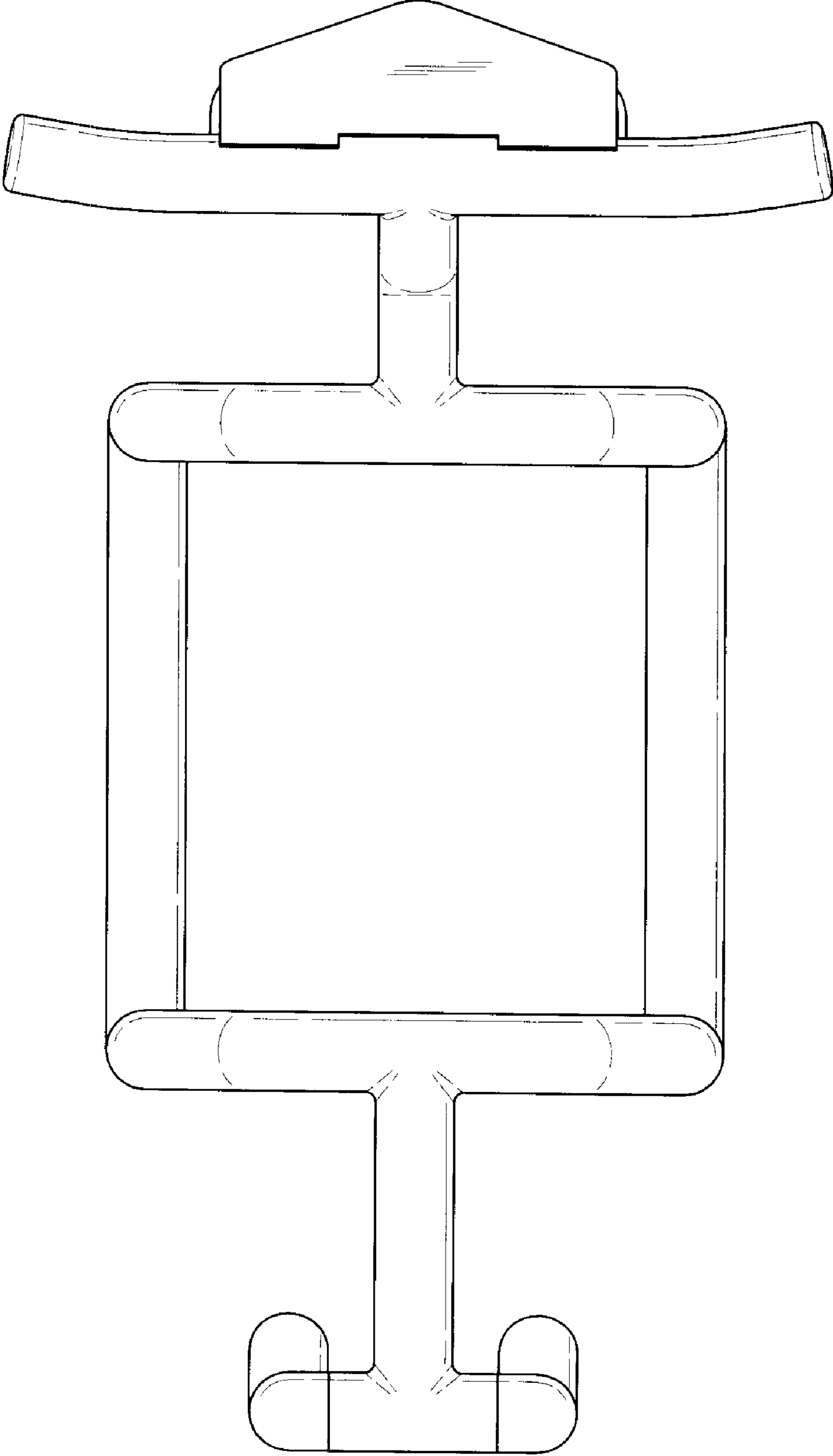


FIG. 10