

US00D542355S

(12) **United States Design Patent**  
**Kauppila**

(10) **Patent No.:** **US D542,355 S**

(45) **Date of Patent:** **\*\* May 8, 2007**

(54) **STREET SIGN HANGER**

(76) **Inventor:** **Richard W. Kauppila**, 158 S. Basin Dr., Negaunee, MI (US) 49866

(\*\*) **Term:** **14 Years**

(21) **Appl. No.:** **29/235,510**

(22) **Filed:** **Aug. 1, 2005**

(51) **LOC (8) Cl.** ..... **20-02**

(52) **U.S. Cl.** ..... **D20/41; D20/29; D20/43**

(58) **Field of Classification Search** ..... D20/10, D20/17, 19, 29, 41-43; 40/584, 606.1, 607.04, 40/607.1, 607.12, 612, 617; D21/775; D11/14, D11/44, 48, 81

See application file for complete search history.

(56) **References Cited**

**U.S. PATENT DOCUMENTS**

D103,045 S	*	2/1937	Ellis	.....	D20/42
D243,265 S	*	2/1977	Koblick	.....	D21/775
4,843,746 A	*	7/1989	DesNoyers et al.	.....	40/607.04
D353,625 S	*	12/1994	Thomsen	.....	D20/41
D434,082 S	*	11/2000	Tsiogas	.....	D20/41
6,880,279 B2	*	4/2005	Kim	.....	40/607.12

\* cited by examiner

*Primary Examiner*—Robert M. Spear

*Assistant Examiner*—Mary Ann Calabrese

(74) *Attorney, Agent, or Firm*—John R. Benefiel

(57) **CLAIM**

The ornamental design for a street sign hanger, as shown and described.

**DESCRIPTION**

FIG. 1 is a perspective view of a street sign hanger according to the present invention, with a portion of a support pole and sign shown in broken lines and not forming a part of the claimed design.

FIG. 2 is an enlarged front elevational view of the street sign hanger shown in FIG. 1, with a portion of a support pole and sign shown in broken lines and not forming a part of the claimed design.

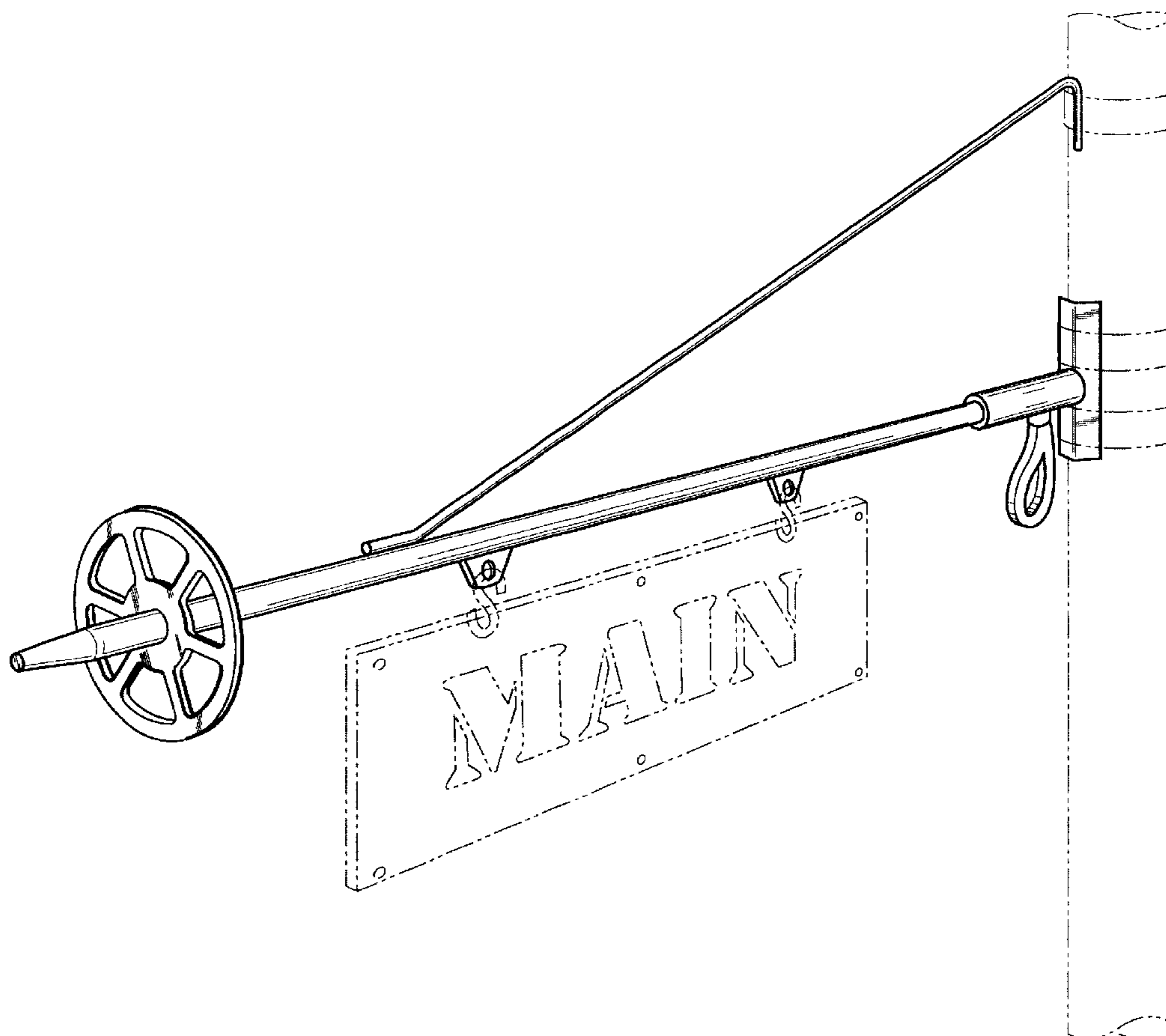
FIG. 3 is a top view of the street sign hanger shown in FIGS. 1 and 2.

FIG. 4 is a bottom view of the street sign hanger shown in FIGS. 1-3.

FIG. 5 is an end view from the far left end of the street sign hanger shown in FIGS. 1-4; and,

FIG. 6 is an end view from the right end of the street sign hanger shown in FIGS. 1-5.

**1 Claim, 3 Drawing Sheets**



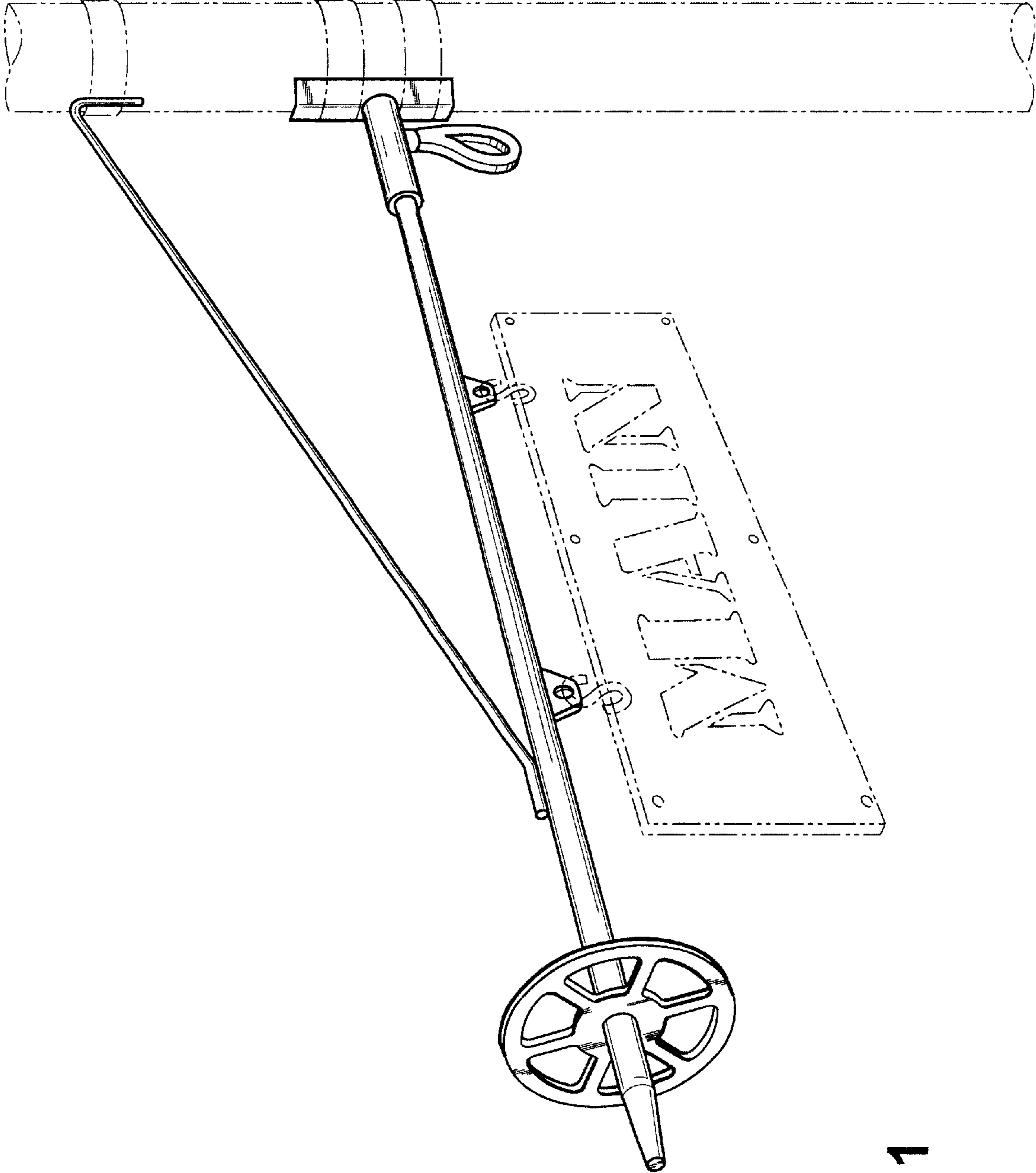


FIG - 1

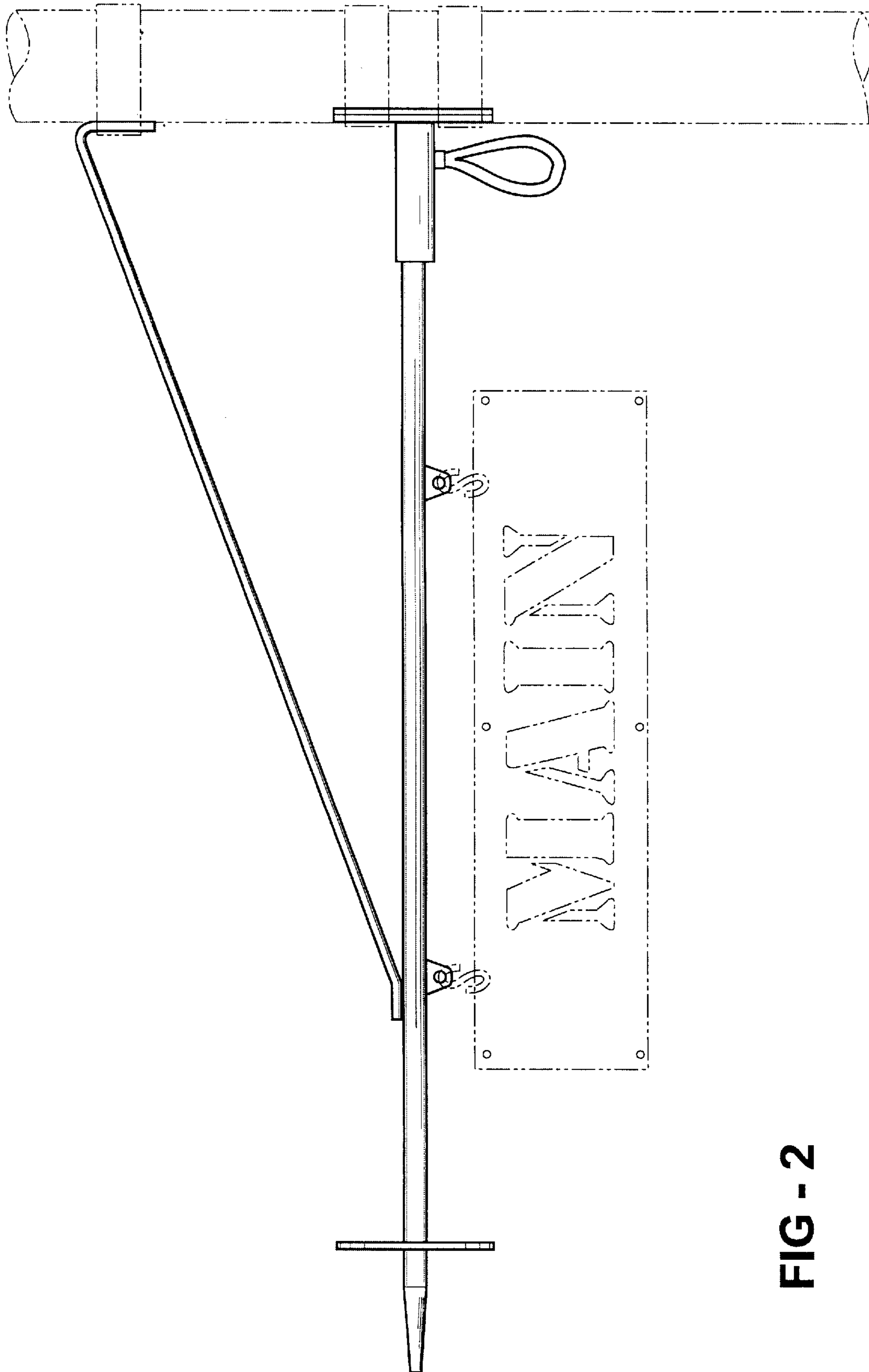


FIG - 2

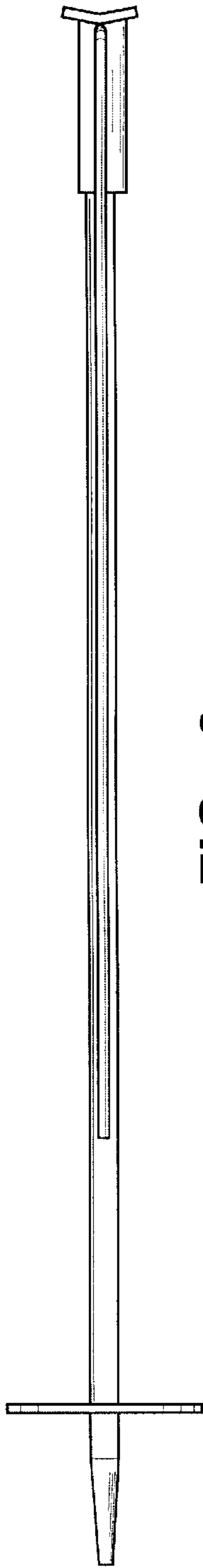


FIG - 3

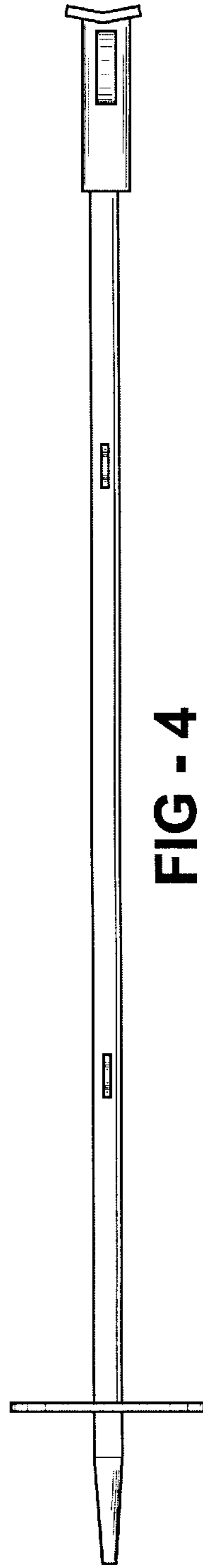


FIG - 4

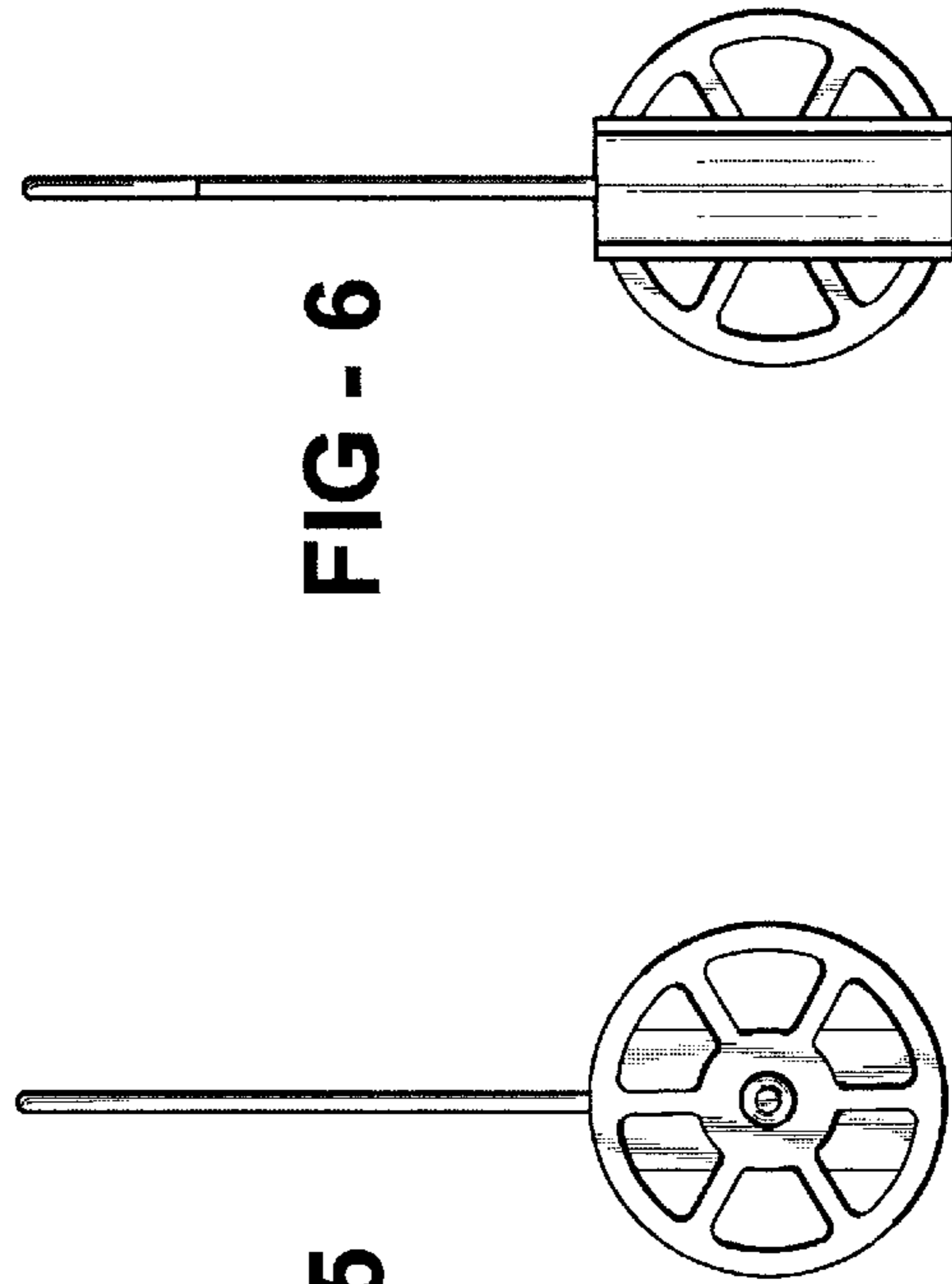


FIG - 5

FIG - 6