



US00D542354S

(12) **United States Design Patent**
Morrison

(10) **Patent No.:** **US D542,354 S**

(45) **Date of Patent:** **** May 8, 2007**

- (54) **ASSET TAG FOR POUR SPOUT**
- (75) Inventor: **Christopher S. Morrison**, Scottsdale, AZ (US)
- (73) Assignee: **Nuvo Holdings, LLC**, Scottsdale, AZ (US)
- (**) Term: **14 Years**
- (21) Appl. No.: **29/227,846**
- (22) Filed: **Apr. 15, 2005**
- (51) **LOC (8) Cl.** **19-08**
- (52) **U.S. Cl.** **D20/22**
- (58) **Field of Classification Search** D20/10, D20/22, 23, 28, 40, 41, 42, 99; 40/1.5, 1.6, 40/5, 6, 124.01, 299.01, 331, 630, 633, 634, 40/669; D11/61, 99, 116, 204, 223, 238; D7/397, 398; D9/434, 438; D10/46.2; 705/28
See application file for complete search history.

- D446,820 S * 8/2001 Chan D20/28
- D476,889 S 7/2003 Fields
- D513,419 S * 1/2006 Morrison et al. D20/28
- D513,928 S * 1/2006 Birdsell et al. D7/397
- D523,089 S * 6/2006 Kristensen D20/22

* cited by examiner

Primary Examiner—Robert M. Spear

(74) *Attorney, Agent, or Firm*—Meschkow & Gresham, P.L.C.

(57) **CLAIM**

The ornamental design for an asset tag for pour spout, as shown and described.

DESCRIPTION

FIG. 1 is a perspective view of a first embodiment of the invention, showing my improved design;
 FIG. 2 is a left elevation view of the first embodiment, and a right elevation view (not shown) is mirror image thereof;
 FIG. 3 is a front elevation view of the first embodiment of the invention;
 FIG. 4 is a rear elevation view of the first embodiment of the invention;
 FIG. 5 is a top plan view of the first embodiment of the invention;
 FIG. 6 is a bottom plan view of the first embodiment of the invention;
 FIG. 7 is a perspective view of a second embodiment of the invention;
 FIG. 8 is a left elevation view of the second embodiment, and a right elevation view (not shown) is mirror image thereof;
 FIG. 9 is a front elevation view of the second embodiment of the invention;
 FIG. 10 is a rear elevation view of the second embodiment of the invention;
 FIG. 11 is a top plan view of the second embodiment of the invention; and,
 FIG. 12 is a bottom plan view of the second embodiment of the invention.

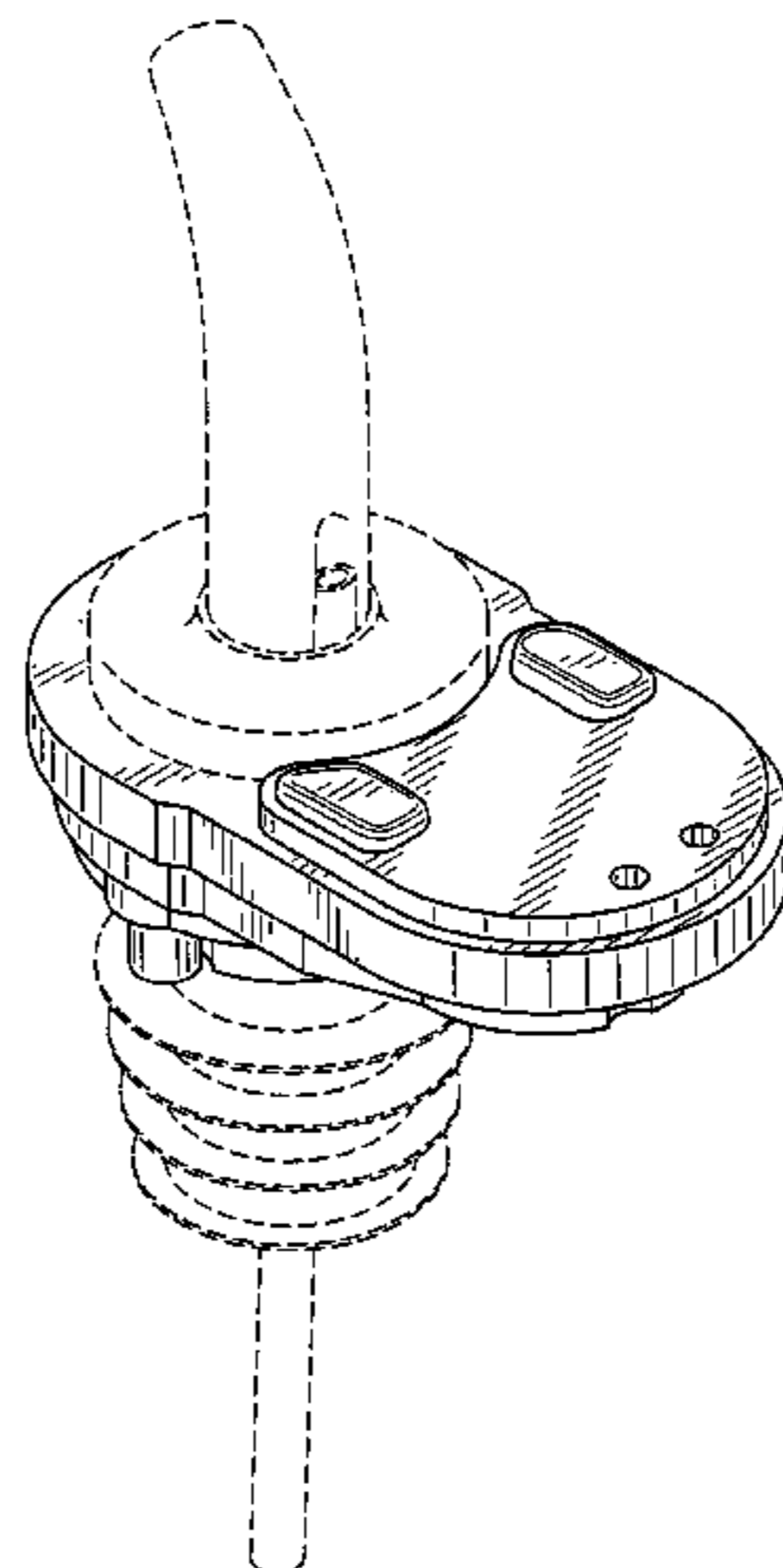
The broken lines in the drawings represent unclaimed environmental subject matter.

1 Claim, 8 Drawing Sheets

(56) **References Cited**

U.S. PATENT DOCUMENTS

- 1,063,577 A 6/1913 Moran
- D92,321 S * 5/1934 Semon D7/398
- D92,322 S * 5/1934 Semon D7/398
- 2,256,637 A 9/1941 Anderson
- D183,072 S * 6/1958 Wentz D7/398
- 3,079,088 A * 2/1963 Hermann et al. 239/25
- 3,462,080 A * 8/1969 Demaree et al. 239/27
- 3,546,023 A 12/1970 Halter et al.
- 3,779,610 A 12/1973 Pansky et al.
- 4,070,775 A 1/1978 Brooks
- D273,837 S * 5/1984 De Coster D7/391
- D286,005 S * 10/1986 Rutter D7/398
- D316,208 S * 4/1991 Griffiths et al. D7/398
- D322,816 S 12/1991 Immerman
- D333,109 S 2/1993 Franklin
- 5,188,424 A 2/1993 Herron
- D343,335 S * 1/1994 Bach D7/398
- D369,755 S * 5/1996 Burcham et al. D10/46.2
- 5,663,009 A 9/1997 Stocchiero
- D422,213 S 4/2000 Sedgekey
- D426,746 S * 6/2000 Busick et al. D7/398
- D431,469 S 10/2000 Solland et al.



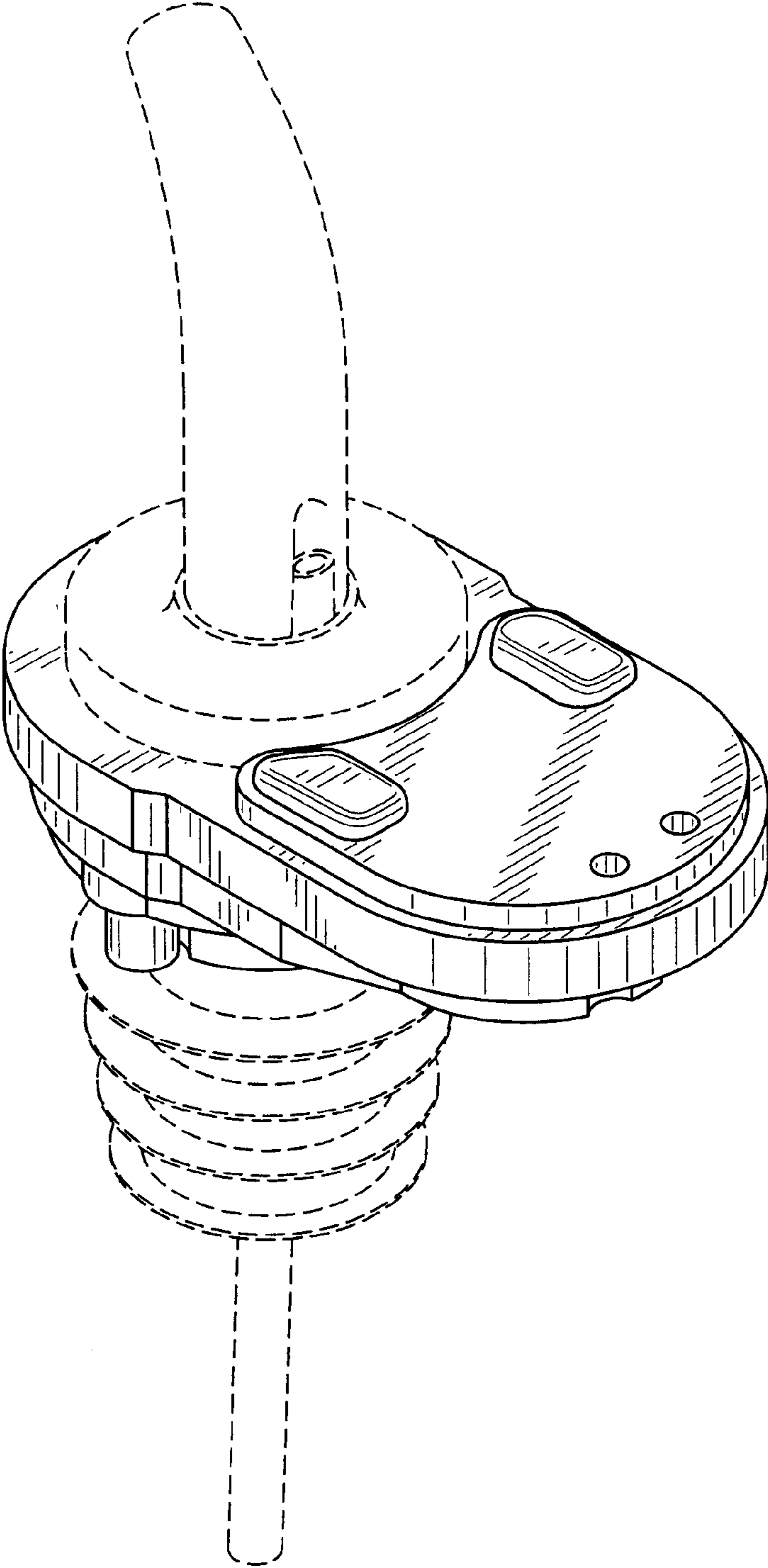


FIG. 1

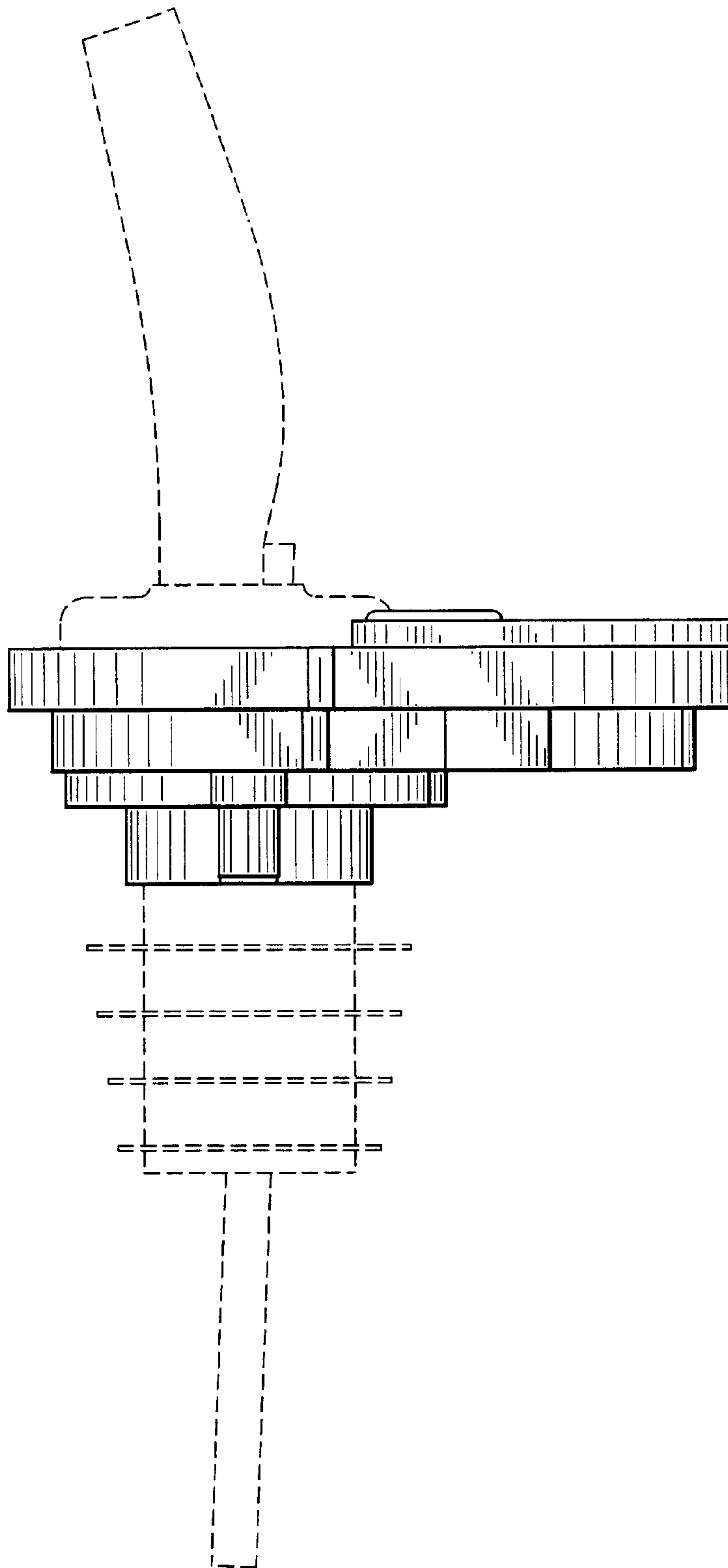


FIG. 2

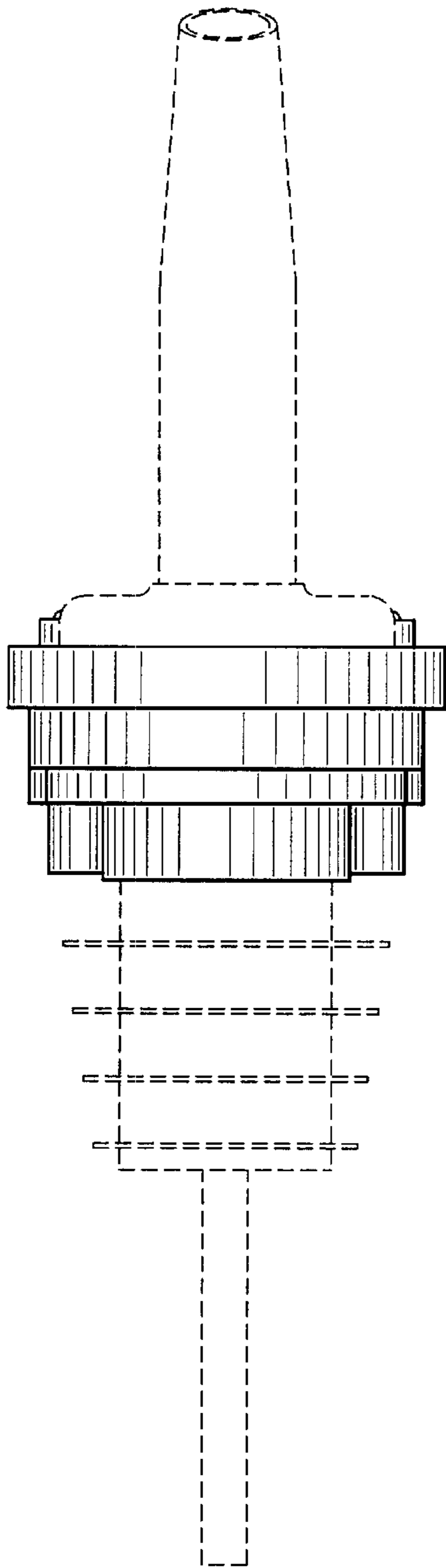


FIG. 3

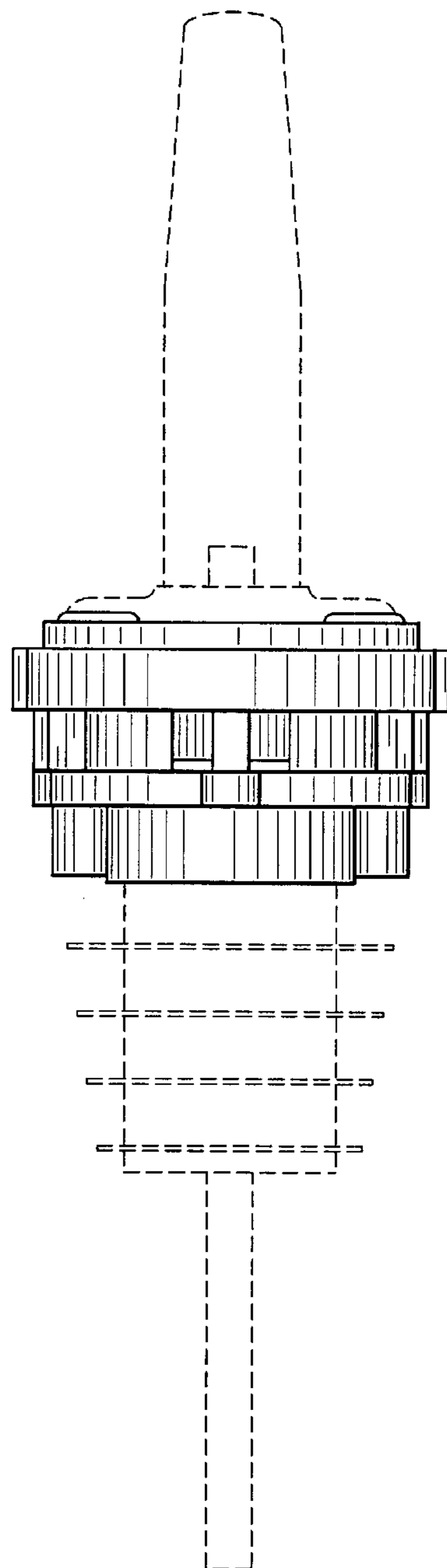


FIG. 4

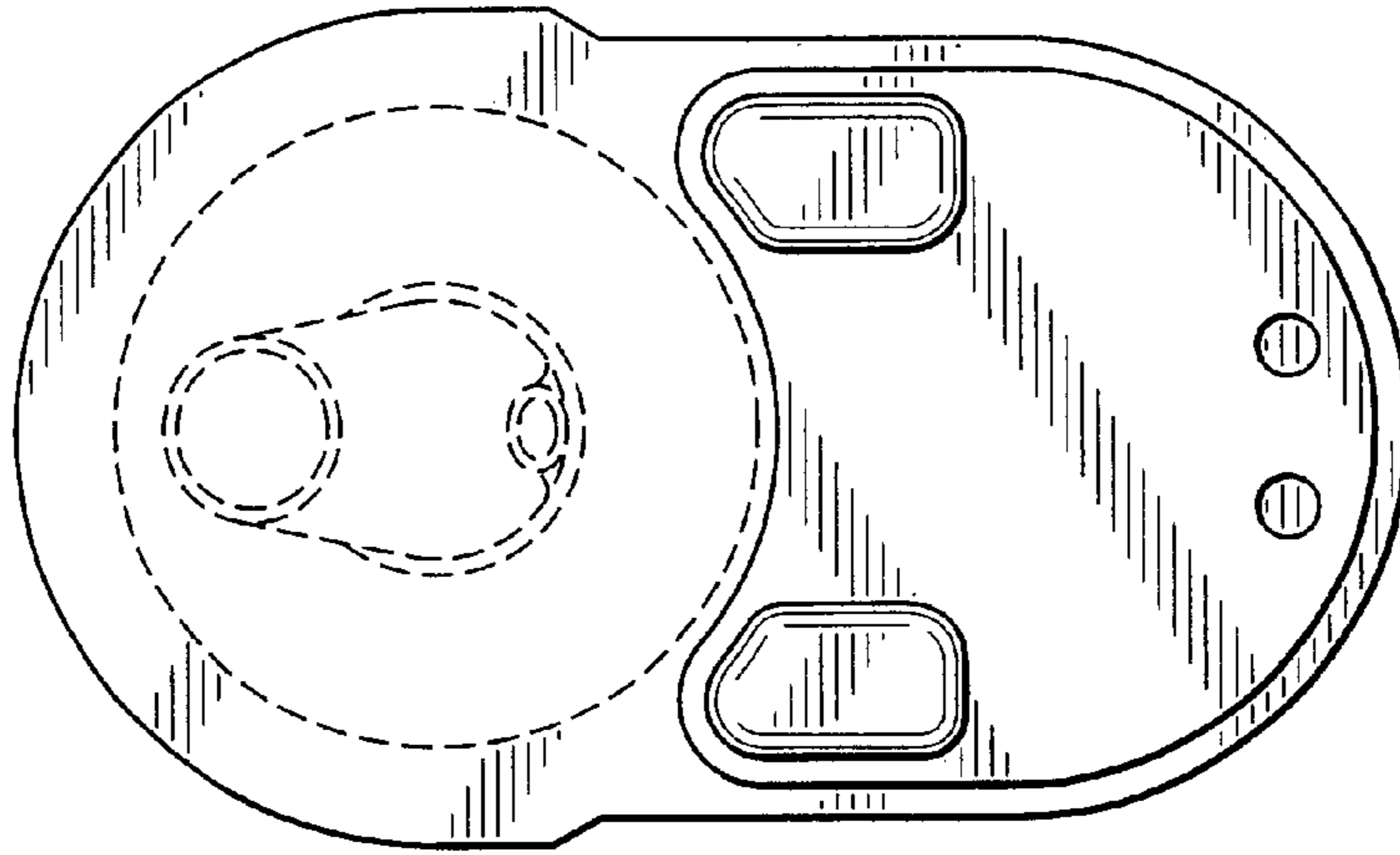


FIG. 5

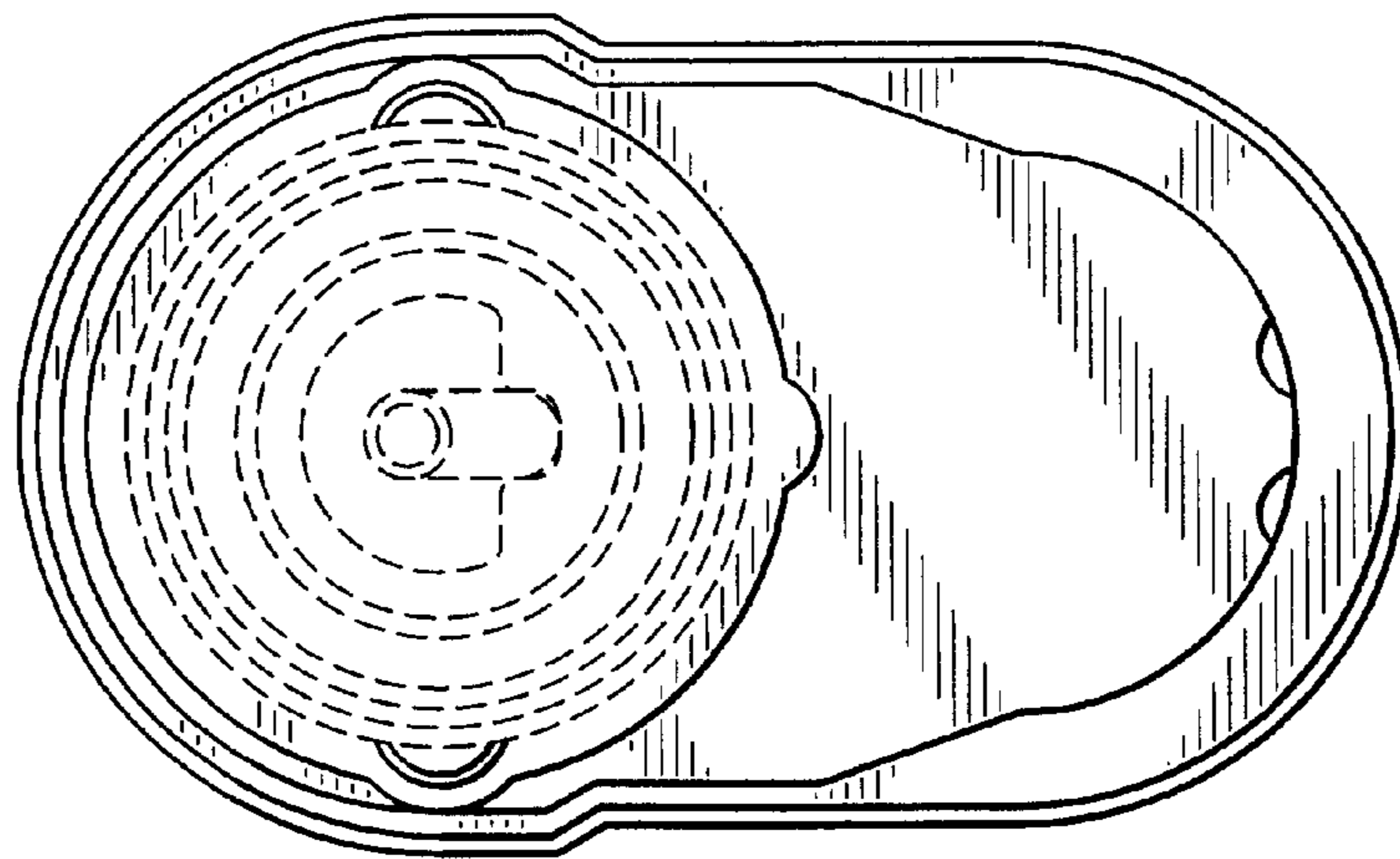


FIG. 6

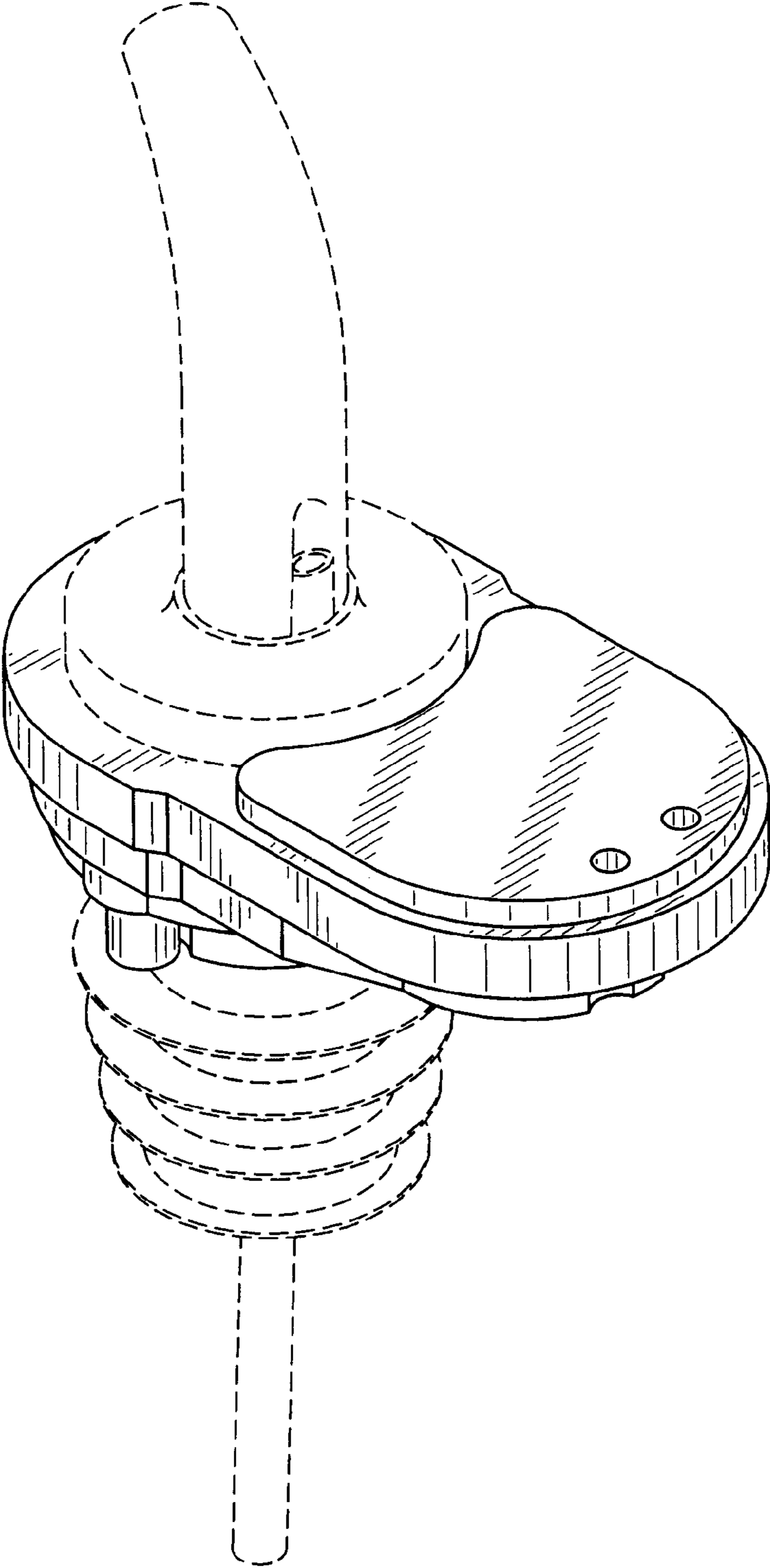


FIG. 7

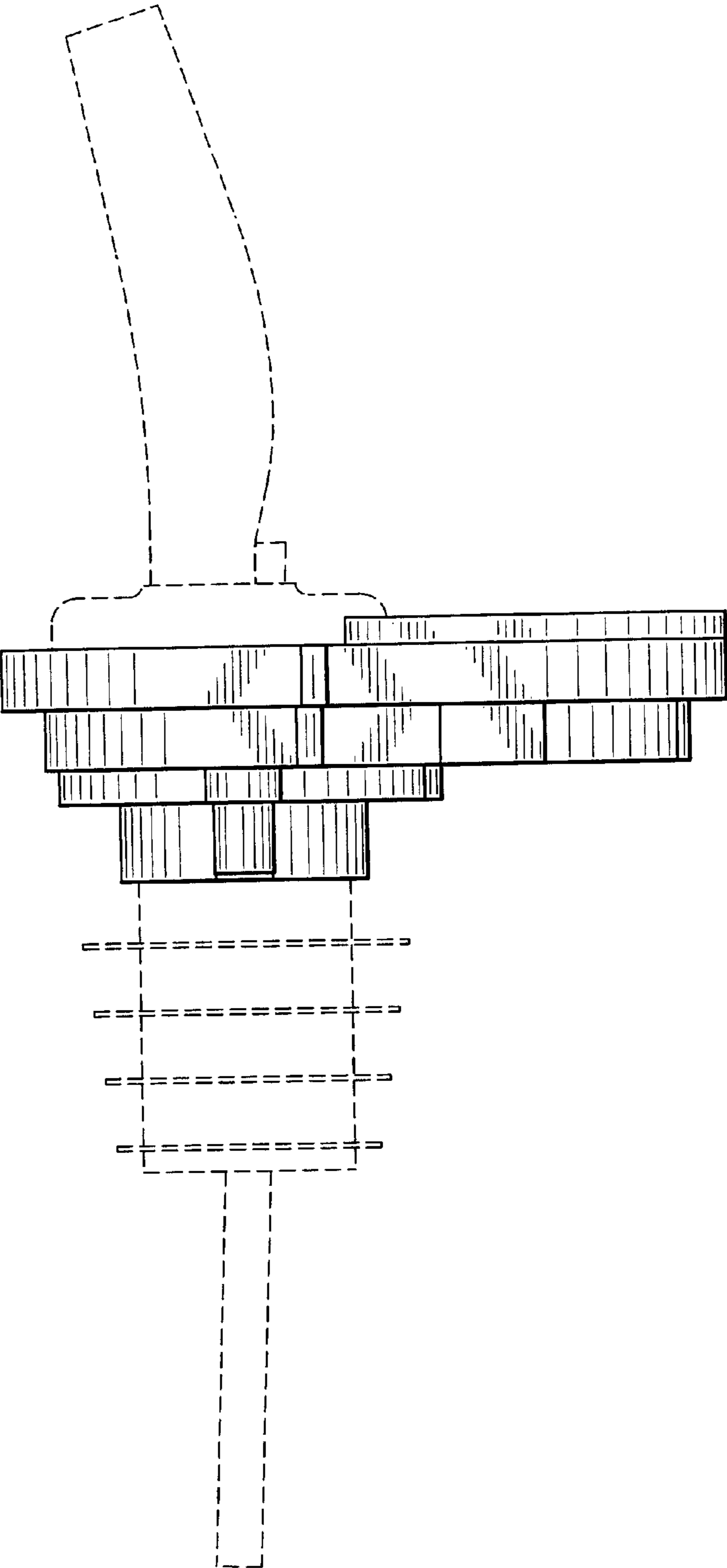


FIG. 8

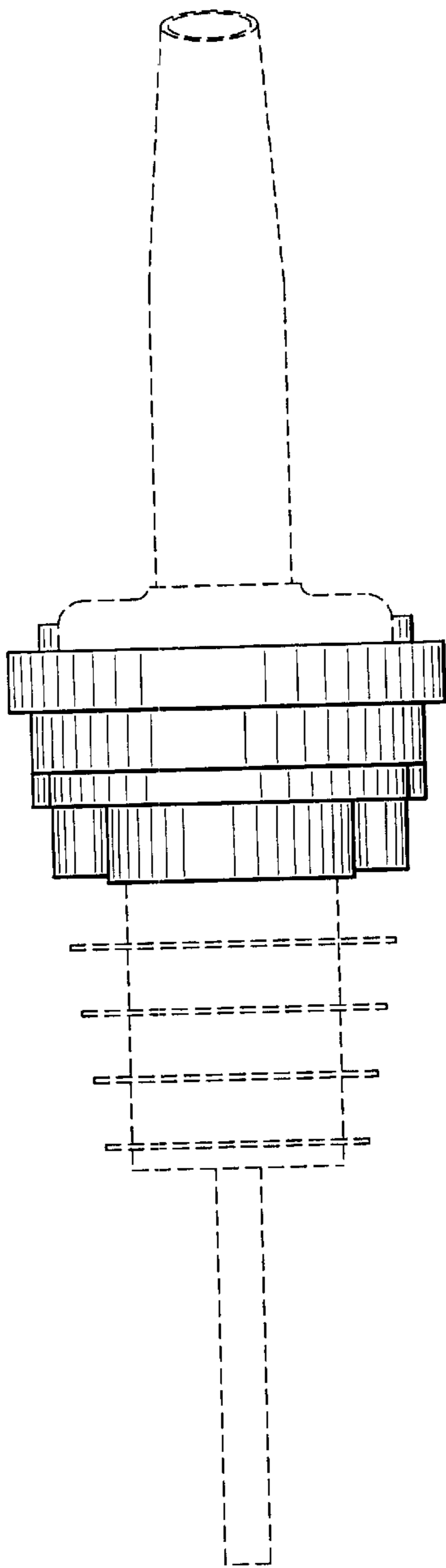


FIG. 9

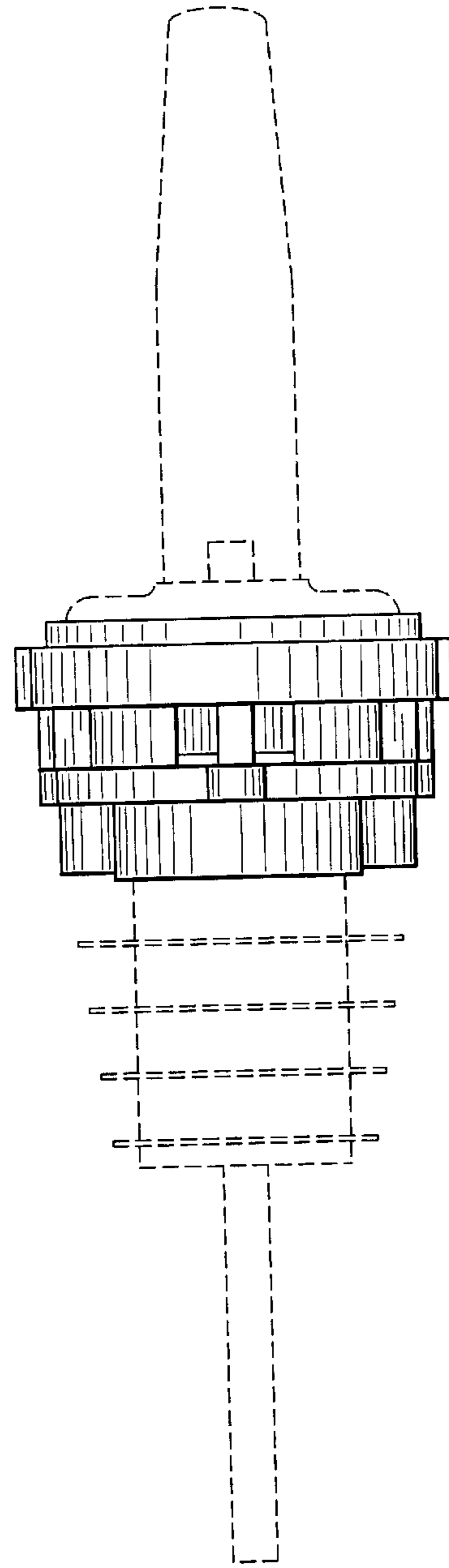


FIG. 10

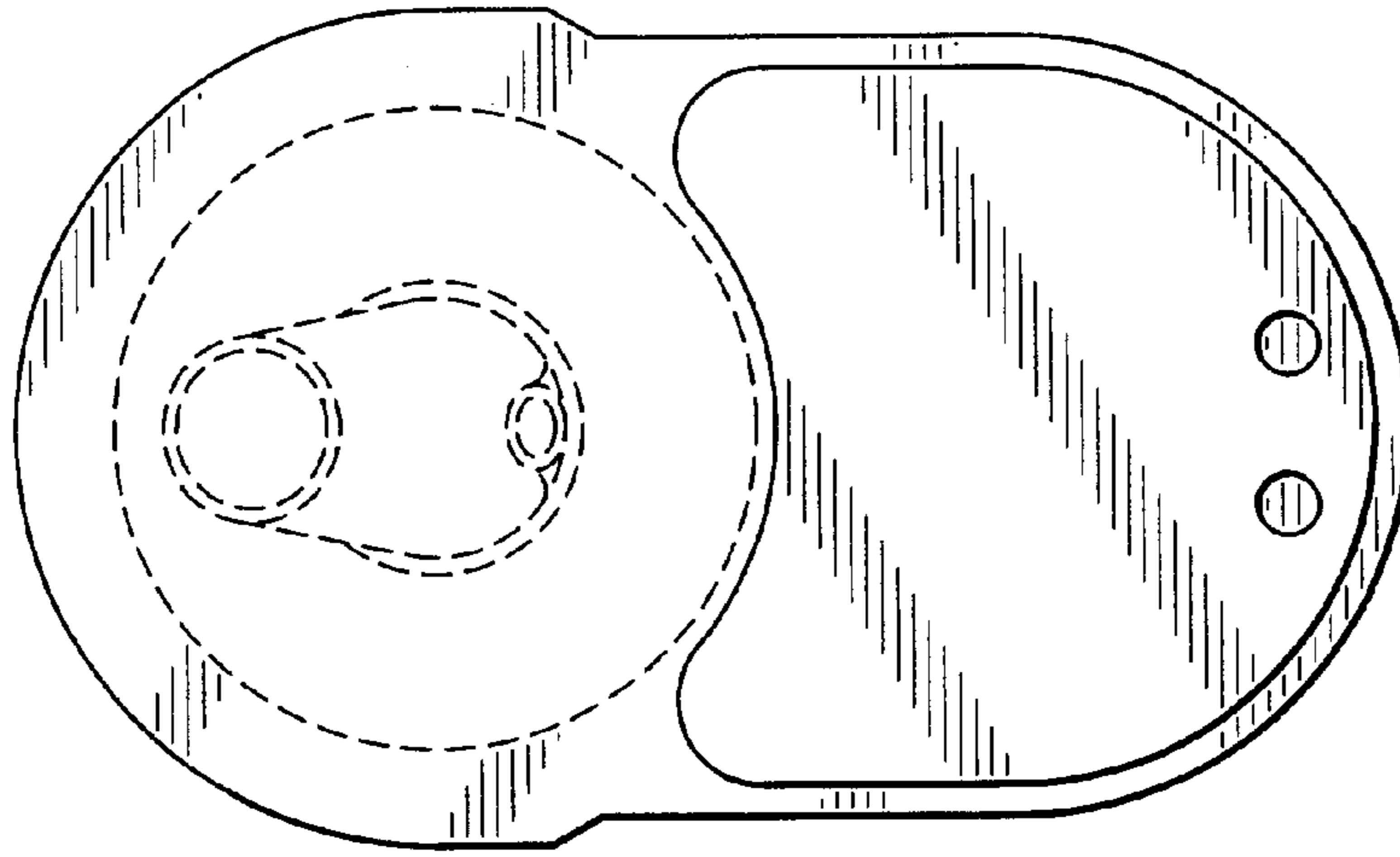


FIG. 11

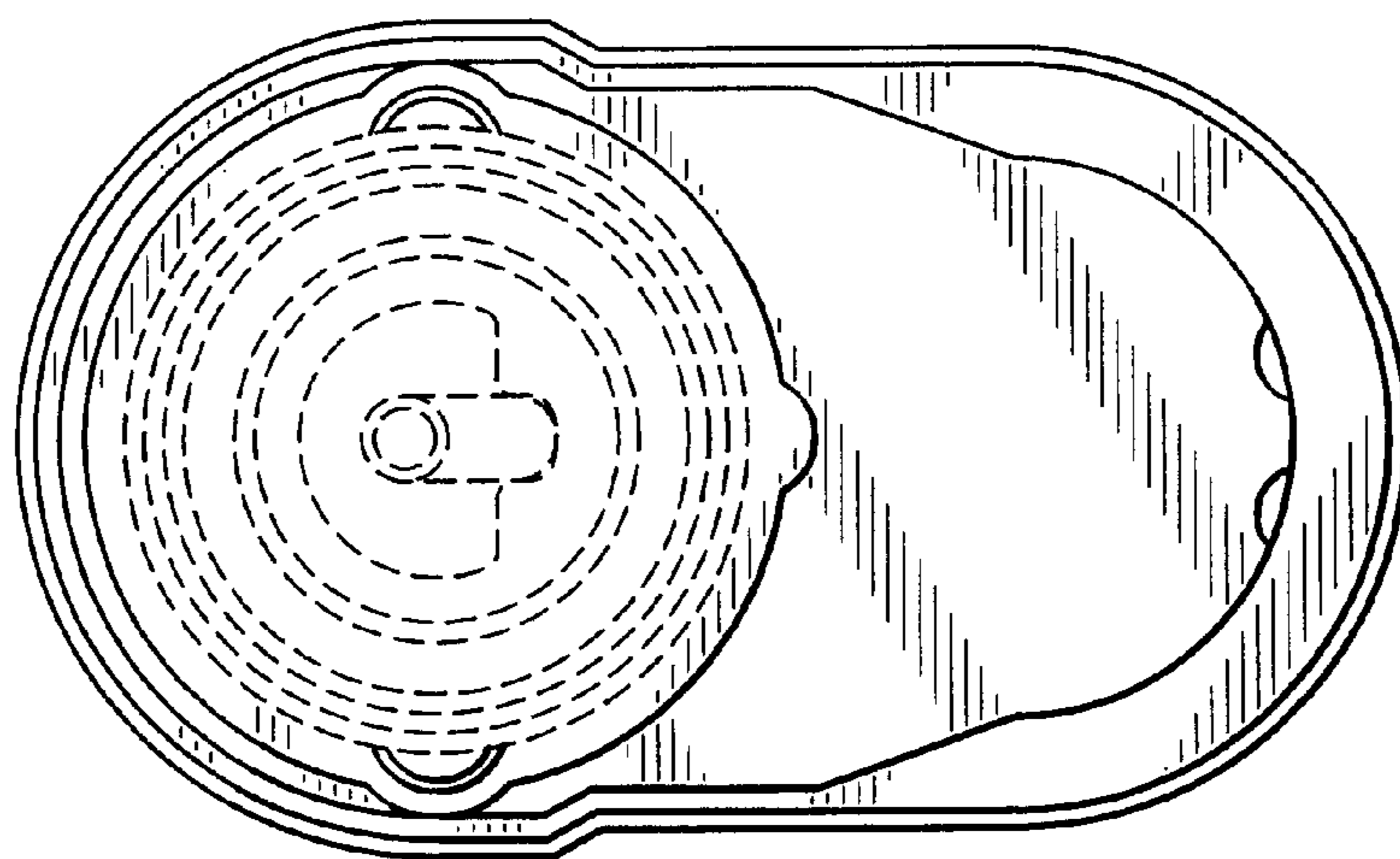


FIG. 12