

US00D542352S

(12) **United States Design Patent**
Green et al.

(10) **Patent No.:** **US D542,352 S**

(45) **Date of Patent:** **** May 8, 2007**

(54) **TABLETED CANDY VENDING MACHINE**

D530,377 S * 10/2006 Hart et al. D20/4

(75) Inventors: **Scott David Green**, Birmingham, AL (US); **Joseph Michael Wyatt**, Pinson, AL (US)

* cited by examiner

Primary Examiner—Stacia Cadmus

(74) *Attorney, Agent, or Firm*—Kenneth M. Bush; Bush IP Law Group, LLC

(73) Assignee: **SandBlast by Creative Concepts, Inc.**, Birmingham, AL (US)

(57) **CLAIM**

(**) Term: **14 Years**

The ornamental design for a tableted candy vending machine, as shown and described.

(21) Appl. No.: **29/242,698**

DESCRIPTION

(22) Filed: **Nov. 14, 2005**

A candy vending machine that processes powdered candy into tableted candy for dispensing in response to input by a user.

(51) **LOC (8) Cl.** **20-01**

(52) **U.S. Cl.** **D20/1**

(58) **Field of Classification Search** D20/1-9, D20/99; 194/205-206, 212, 350; 221/92-96, 221/75, 210, 125, 155, 195; 222/478, 526; 312/114, 117, 124-125

FIG. 1 is a front perspective view of the tableted candy vending machine;

FIG. 2 is a front elevational view of the tableted candy vending machine;

FIG. 3 is a rear elevational view of the tableted candy vending machine;

See application file for complete search history.

FIG. 4 is a left side elevational view of the tableted candy vending machine;

(56) **References Cited**

U.S. PATENT DOCUMENTS

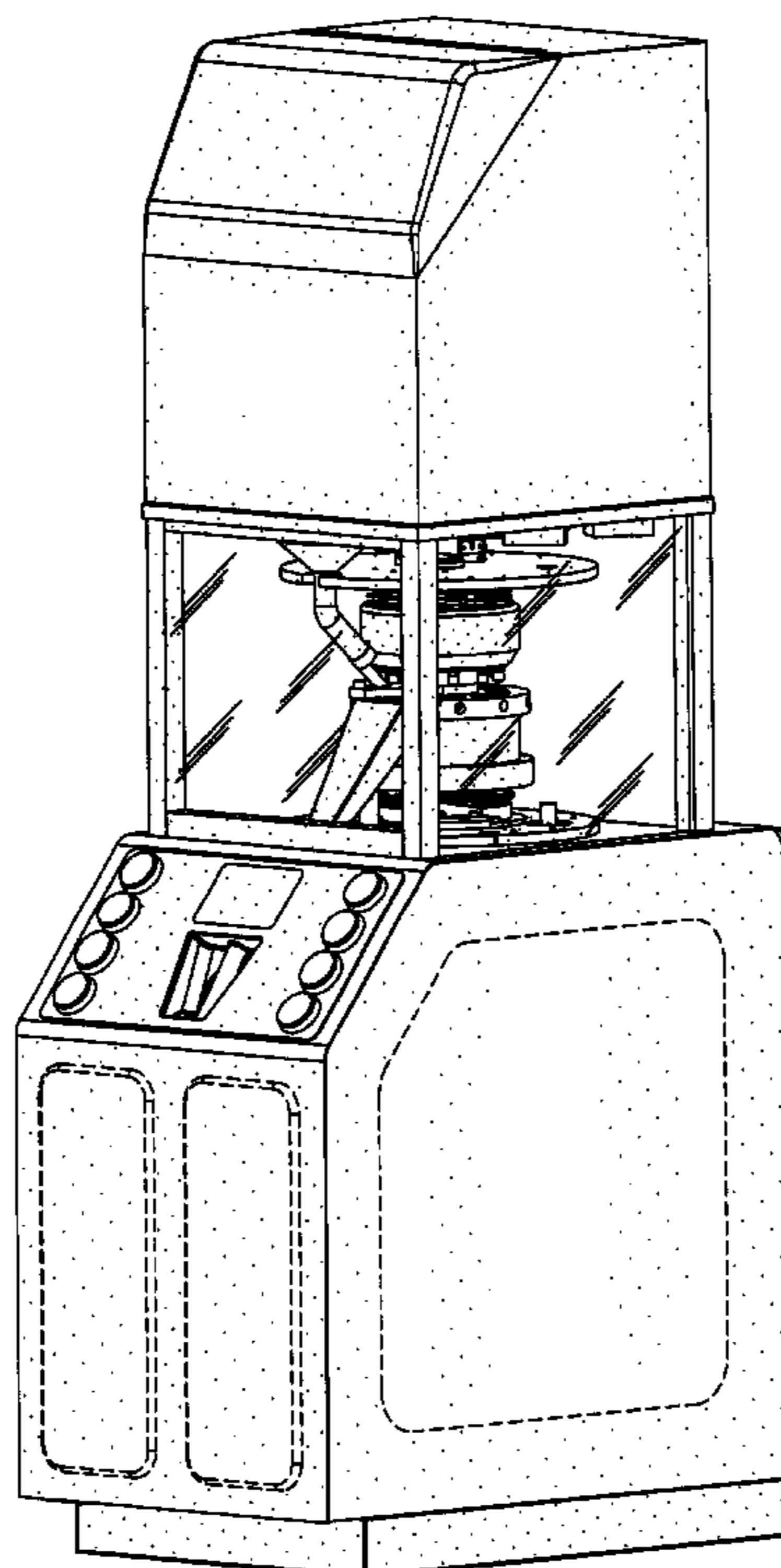
D282,857 S	*	3/1986	Schwarzli	D20/7
D324,240 S	*	2/1992	Huang	D20/3
5,397,134 A	*	3/1995	Fishman et al.	221/210
D365,370 S	*	12/1995	Yurchak	D20/1
D388,122 S	*	12/1997	Beene	D20/7
D421,629 S	*	3/2000	Sakata	D20/4
D465,810 S	*	11/2002	Bartholomew et al.	D20/1
D489,413 S	*	5/2004	Schwarzli	D20/7

FIG. 5 is a right side elevational view of the tableted candy vending machine; and,

FIG. 6 is a top plan view of the tableted candy vending machine.

The broken line showing of environment is for illustrative purposes only and forms no part of the claimed design.

1 Claim, 6 Drawing Sheets



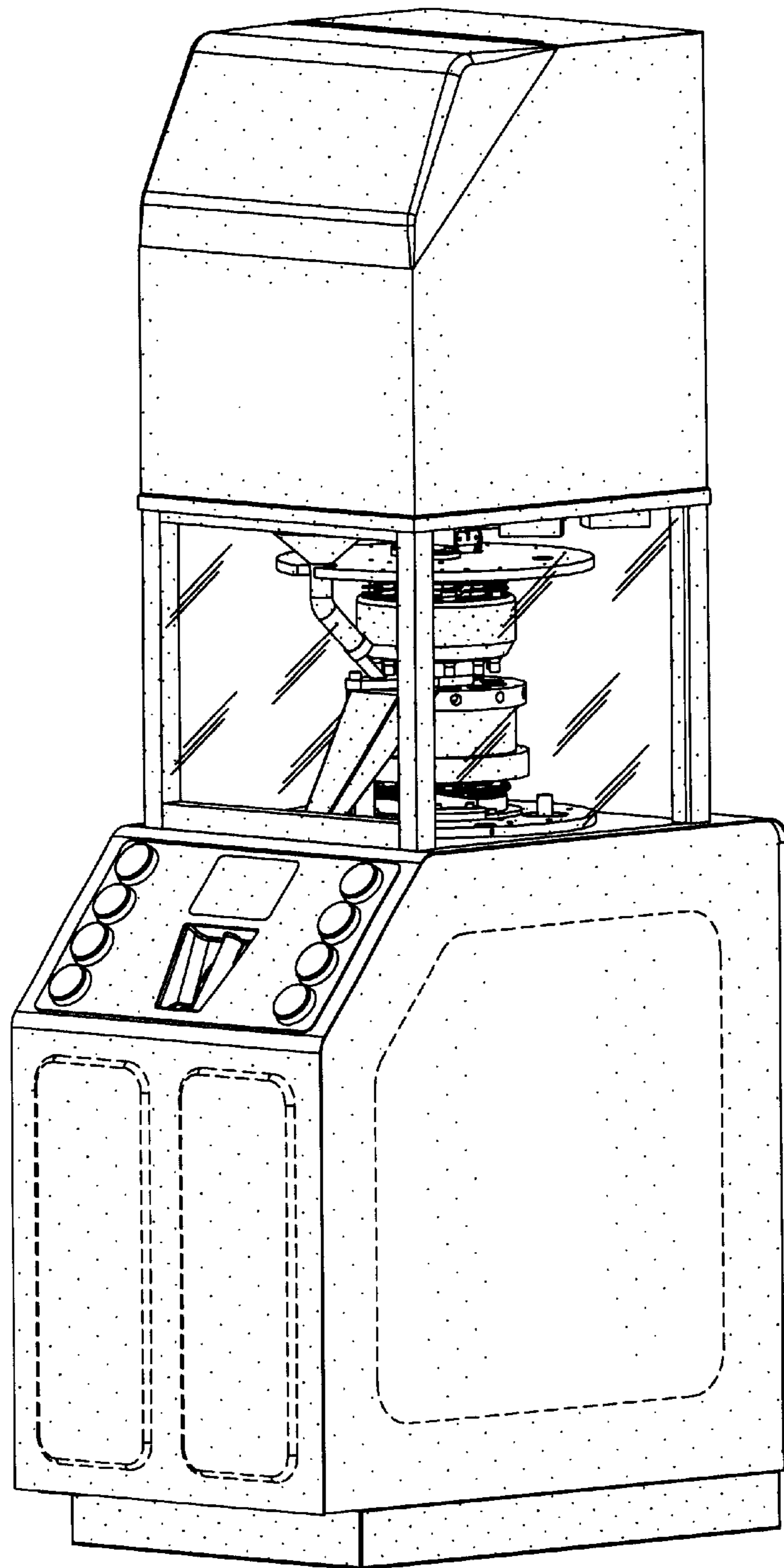


FIG. 1

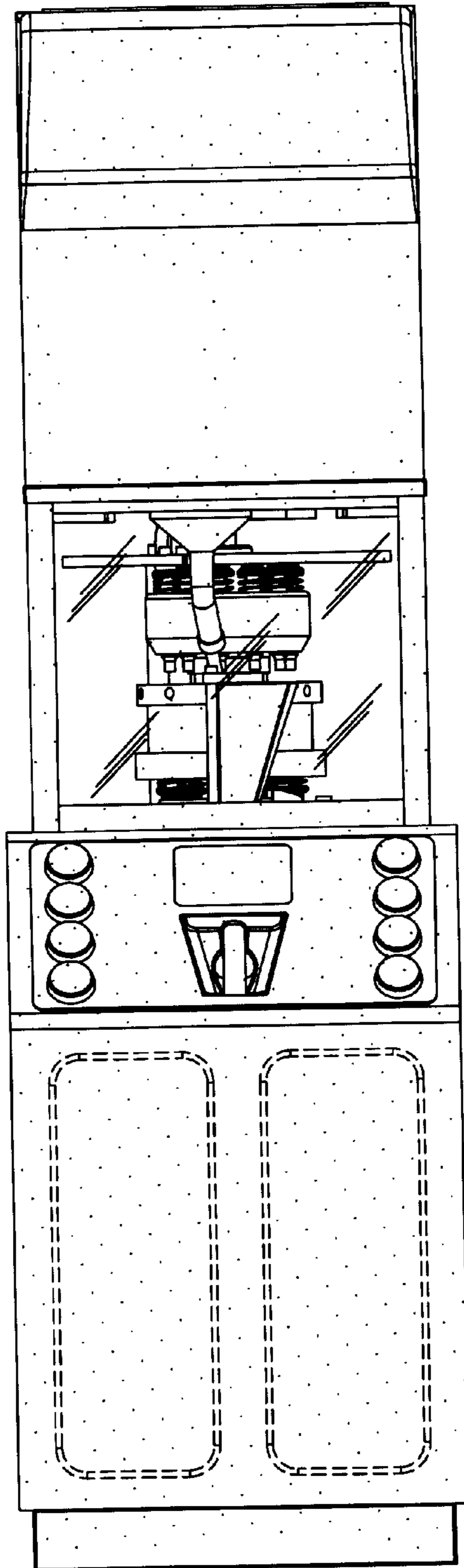


FIG. 2

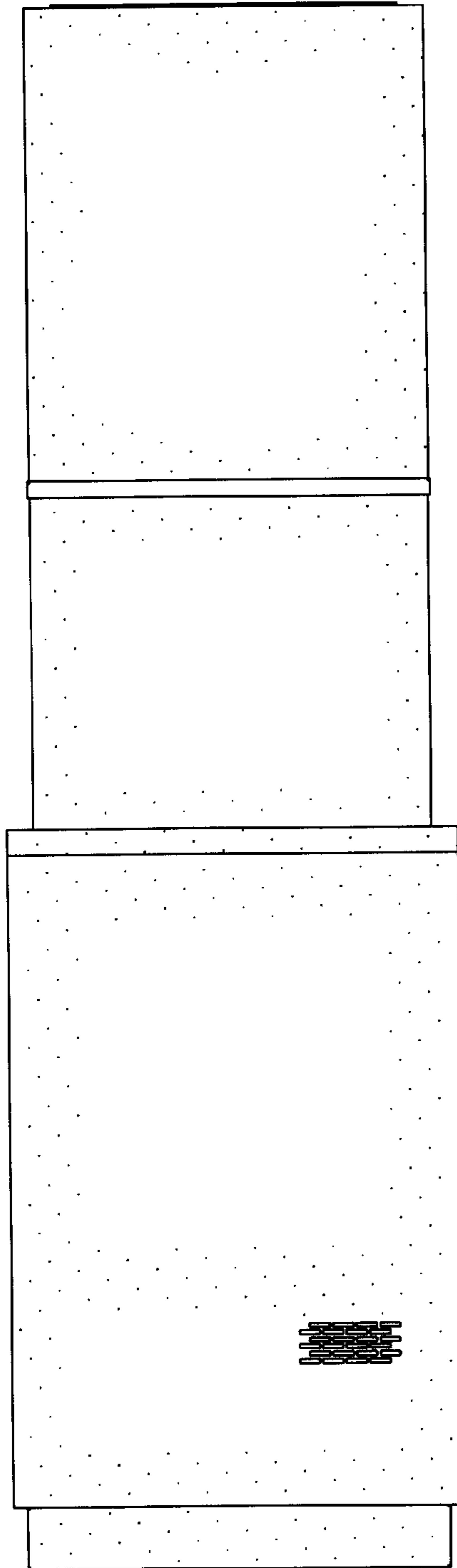


FIG. 3

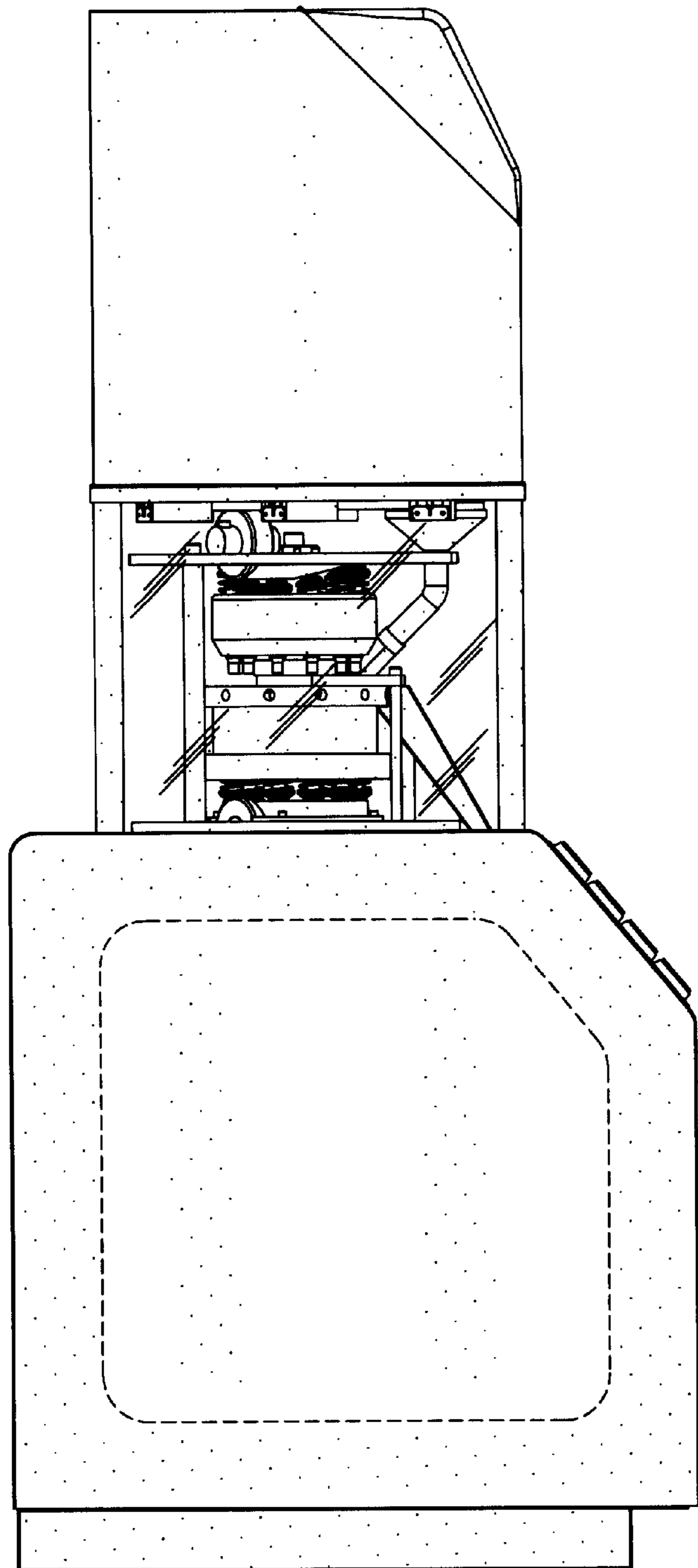


FIG. 4

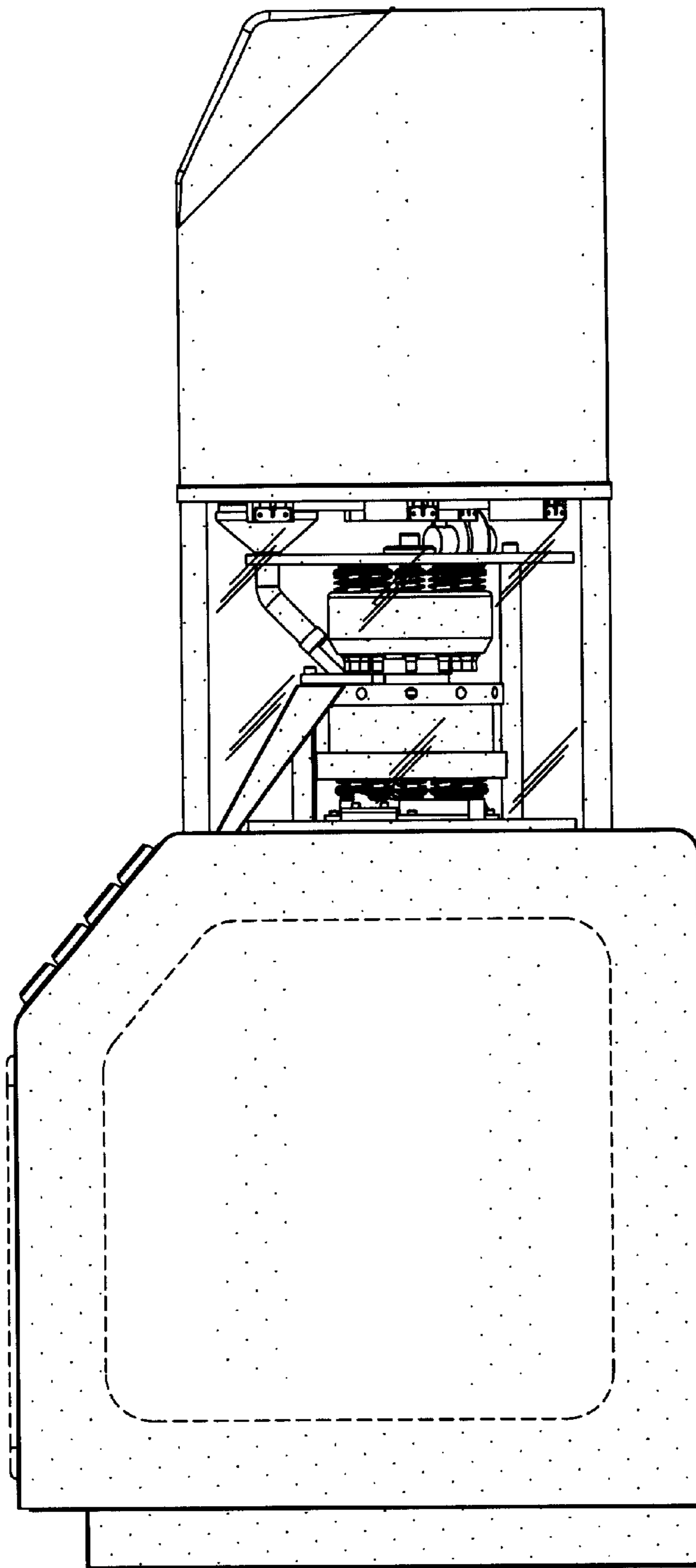


FIG. 5

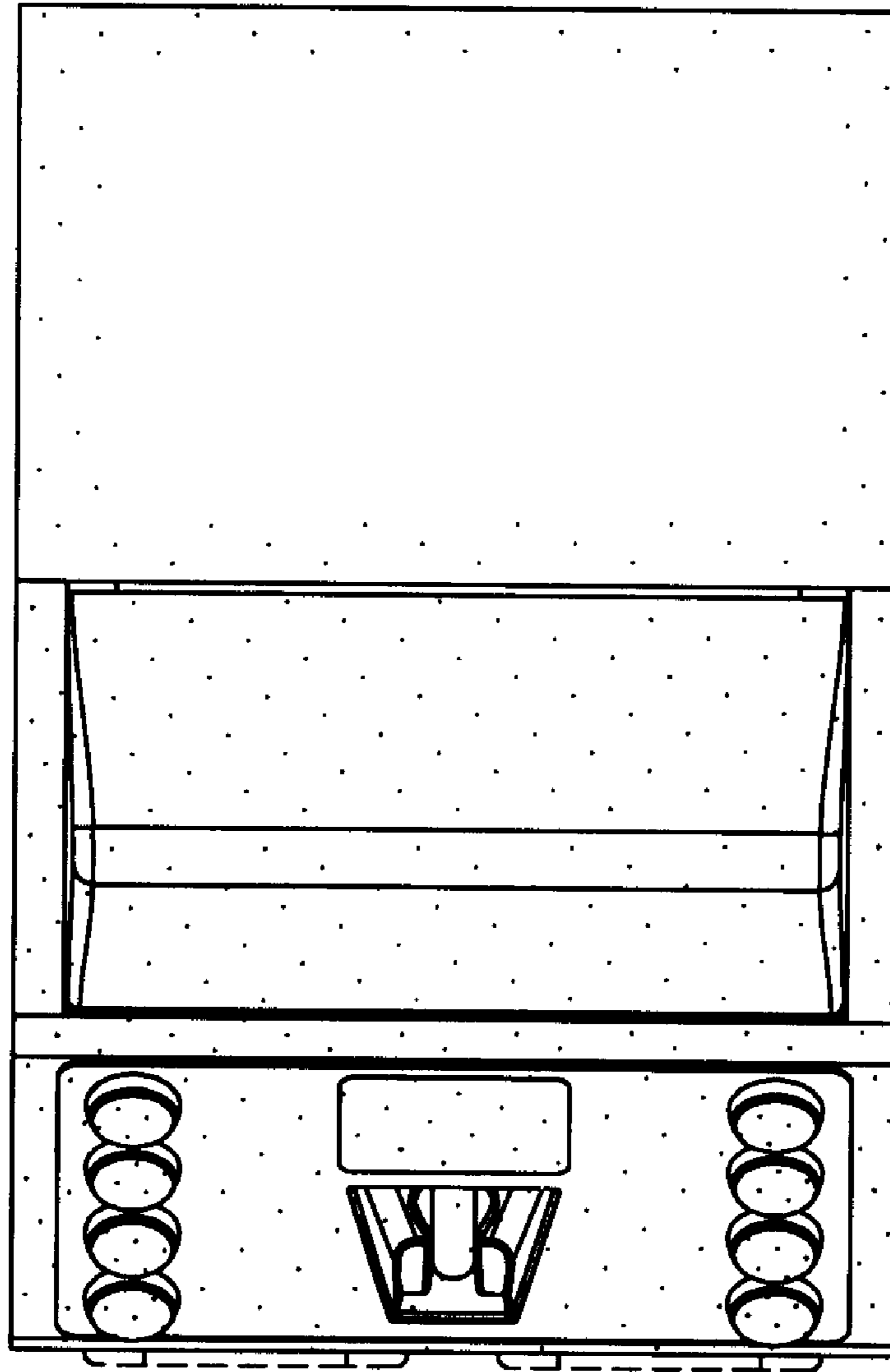


FIG. 6