

US00D542345S

(12) **United States Design Patent**
Hayashi et al.

(10) **Patent No.:** **US D542,345 S**

(45) **Date of Patent:** **** May 8, 2007**

(54) **INK TANK FOR PRINTER**

(75) Inventors: **Hiroki Hayashi**, Yokohama (JP); **Kenji Kitabatake**, Kawasaki (JP); **Hiroyuki Fukushima**, Tokyo (JP); **Yutaka Koizumi**, Yokohama (JP)

(73) Assignee: **Canon Kabushiki Kaisha**, Tokyo (JP)

(**) Term: **14 Years**

(21) Appl. No.: **29/262,660**

(22) Filed: **Jul. 10, 2006**

(30) **Foreign Application Priority Data**

Jan. 26, 2006 (JP) 2006-001642

(51) **LOC (8) Cl.** **18-02**

(52) **U.S. Cl.** **D18/56; 347/86**

(58) **Field of Classification Search** D18/40,
D18/43, 56; D14/481; 347/20, 29, 33, 49-50,
347/86-87

See application file for complete search history.

(56) **References Cited**

U.S. PATENT DOCUMENTS

5,534,899 A * 7/1996 Uchikata et al. 347/49

D493,820 S * 8/2004 Matsuo et al. D18/56
D529,084 S * 9/2006 Myers et al. D18/56
2005/0270347 A1 * 12/2005 Yamamoto 347/86

* cited by examiner

Primary Examiner—Cathy Anne MacCormac

(74) *Attorney, Agent, or Firm*—Fitzpatrick, Cella, Harper & Scinto

(57) **CLAIM**

The ornamental design for an ink tank for printer, as shown and described.

DESCRIPTION

FIG. 1 is a front view of an ink tank for printer showing our new design;

FIG. 2 is a rear view thereof;

FIG. 3 is a top plan view thereof;

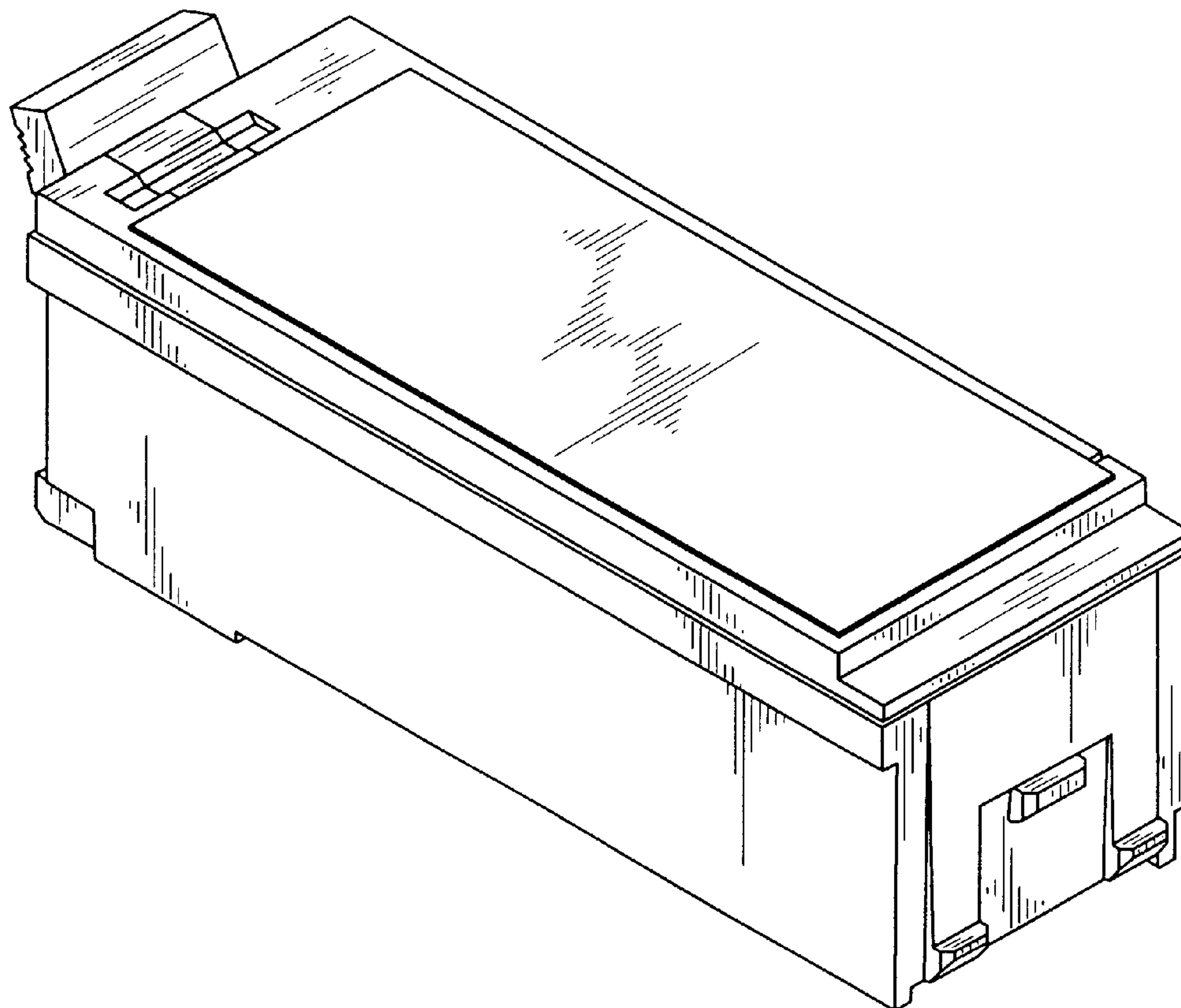
FIG. 4 is a bottom plan view thereof;

FIG. 5 is a left side view thereof;

FIG. 6 is a right side view thereof; and,

FIG. 7 is a perspective view thereof.

1 Claim, 4 Drawing Sheets



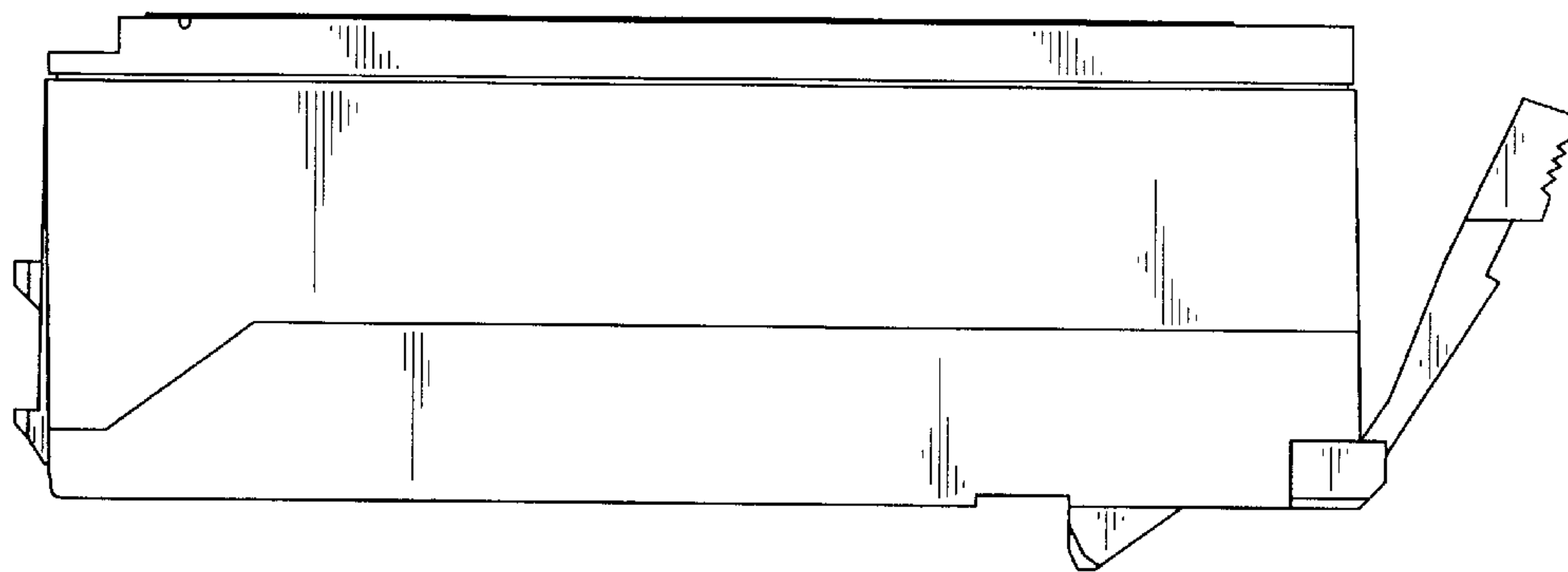


FIG. 1

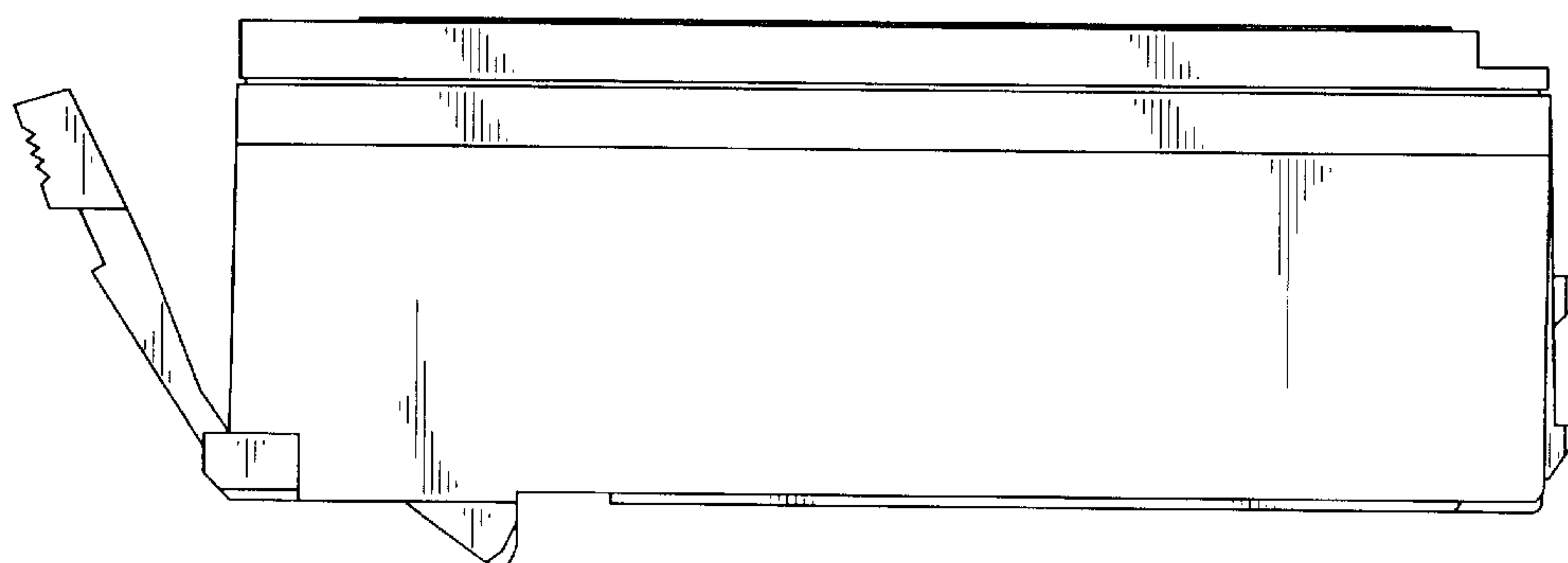


FIG. 2

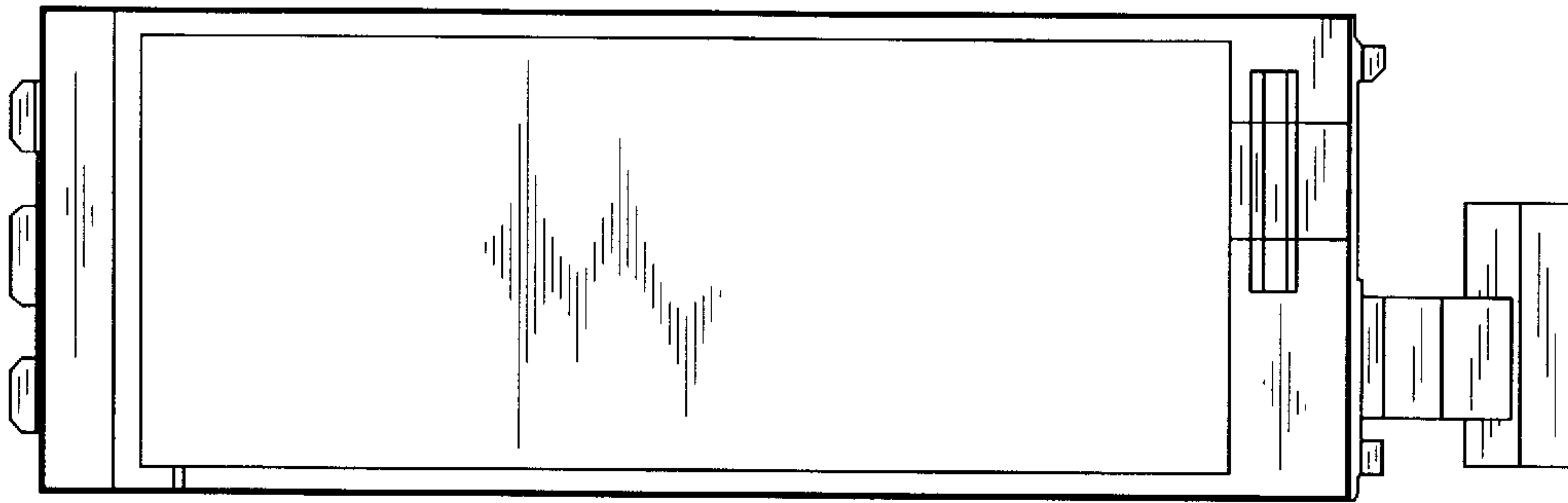


FIG. 3

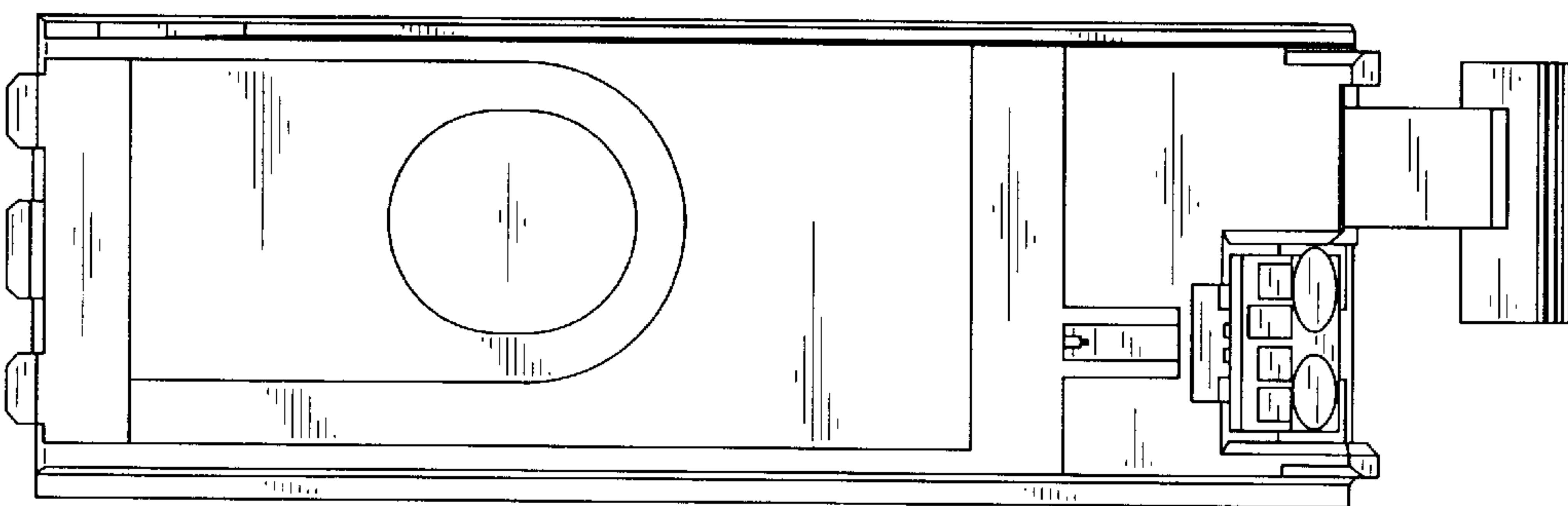


FIG. 4

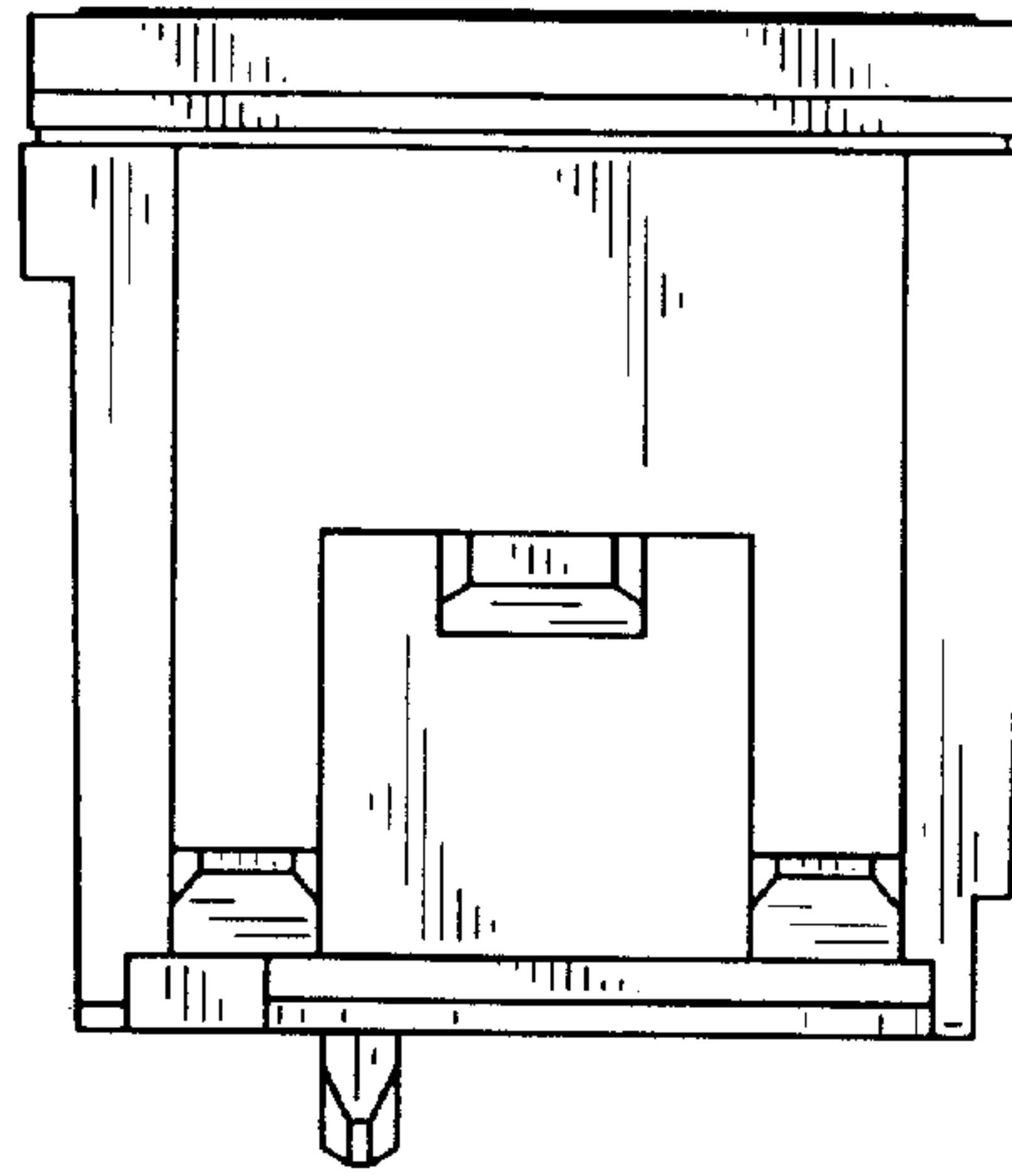


FIG. 5

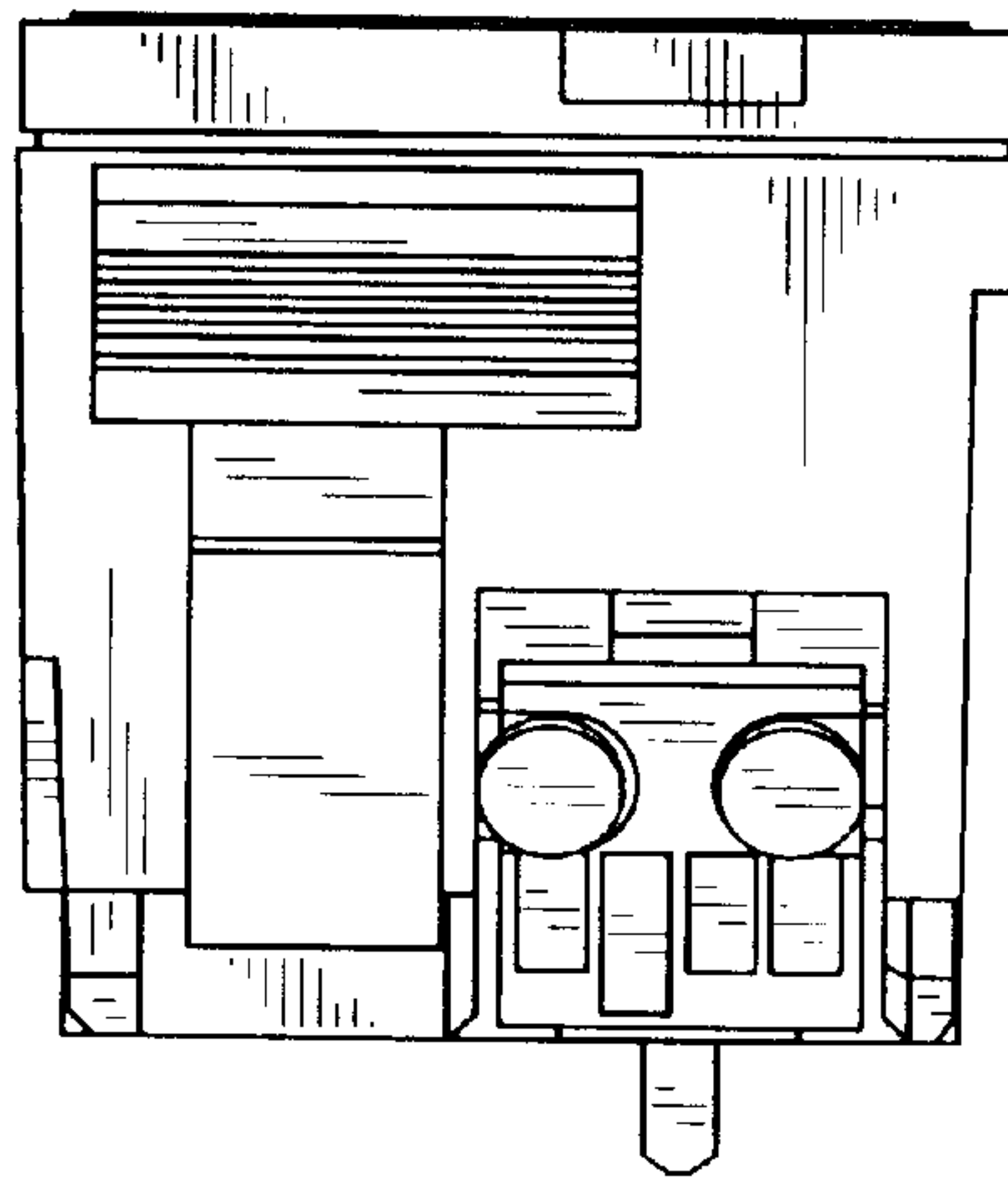


FIG. 6

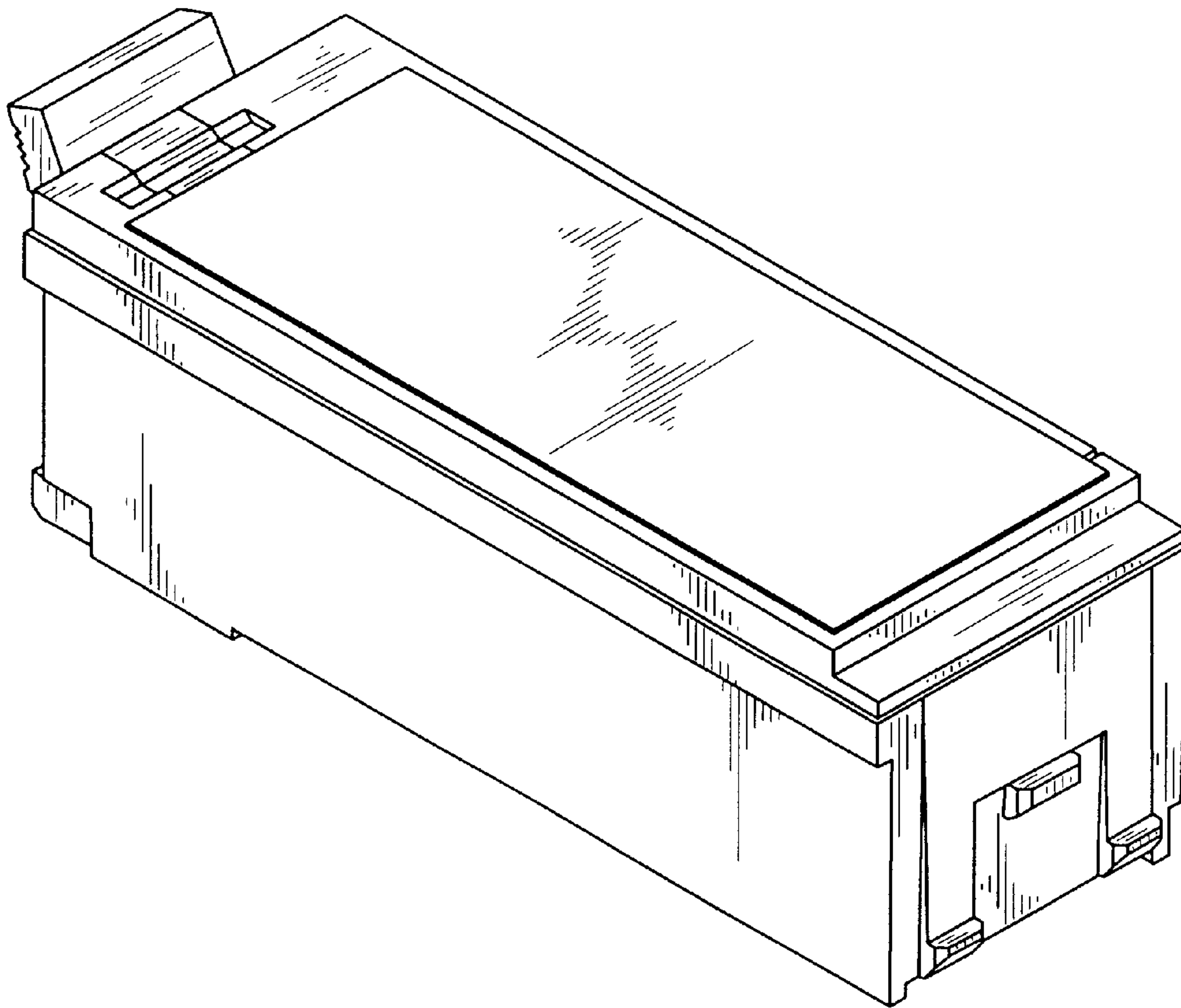


FIG. 7