

US00D542344S

(12) **United States Design Patent**
Duby et al.

(10) **Patent No.:** **US D542,344 S**

(45) **Date of Patent:** **** May 8, 2007**

(54) **PRINthead**

(75) Inventors: **Thomas G. Duby**, Enfield, NH (US);
Robert L. Wells, Jr., Thetford Center,
VT (US); **Todd Severance**, Newbury,
NH (US); **Carl Tracy**, Norwich, VT
(US)

(73) Assignee: **FUJIFILM/Dimatix Inc.**, Lebanon, NH
(US)

(**) Term: **14 Years**

(21) Appl. No.: **29/259,057**

(22) Filed: **May 1, 2006**

(51) **LOC (8) Cl.** **18-02**

(52) **U.S. Cl.** **D18/56; 347/86**

(58) **Field of Classification Search** D18/40,
D18/43, 56; D14/481; 347/20, 29, 33, 49-50,
347/86-87

See application file for complete search history.

(56) **References Cited**

U.S. PATENT DOCUMENTS

D375,975 S * 11/1996 Koizumi et al. D18/56
D410,949 S * 6/1999 Fowkes D18/56
D423,567 S * 4/2000 Ishigami et al. D18/56

D441,788 S * 5/2001 Wollin D18/56
D442,220 S * 5/2001 Wollin D18/56
D510,594 S * 10/2005 Hirashima D18/56
2005/0146566 A1 * 7/2005 Silverbrook 347/20
2005/0146575 A1 * 7/2005 Hill et al. 347/86
2005/0168513 A1 * 8/2005 Wood et al. 347/20

* cited by examiner

Primary Examiner—Cathy Anne MacCormac

(74) *Attorney, Agent, or Firm*—Fish & Richardson P.C.

(57) **CLAIM**

The ornamental design for a printhead, as shown and described.

DESCRIPTION

FIG. 1 is a perspective view of a printhead showing my new design;

FIG. 2 is a front elevational view of the printhead of FIG. 1;

FIG. 3 is a rear elevational view of the printhead of FIG. 1;

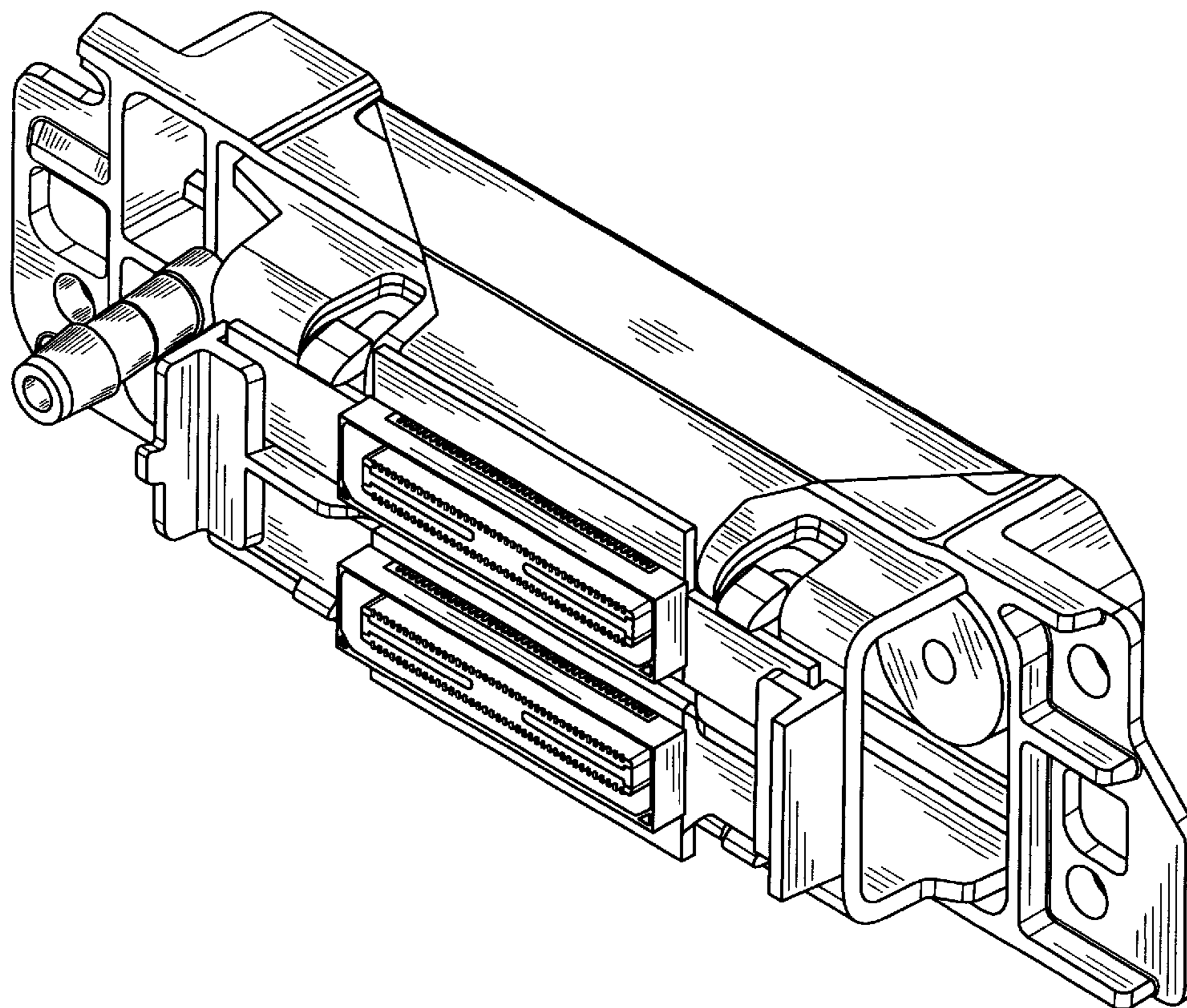
FIG. 4 is a left side elevational view of the printhead of FIG. 1;

FIG. 5 is a right side elevational view of the printhead of FIG. 1;

FIG. 6 is a top plan view of the printhead of FIG. 1; and,

FIG. 7 is a bottom plan view of the printhead of FIG. 1.

1 Claim, 4 Drawing Sheets



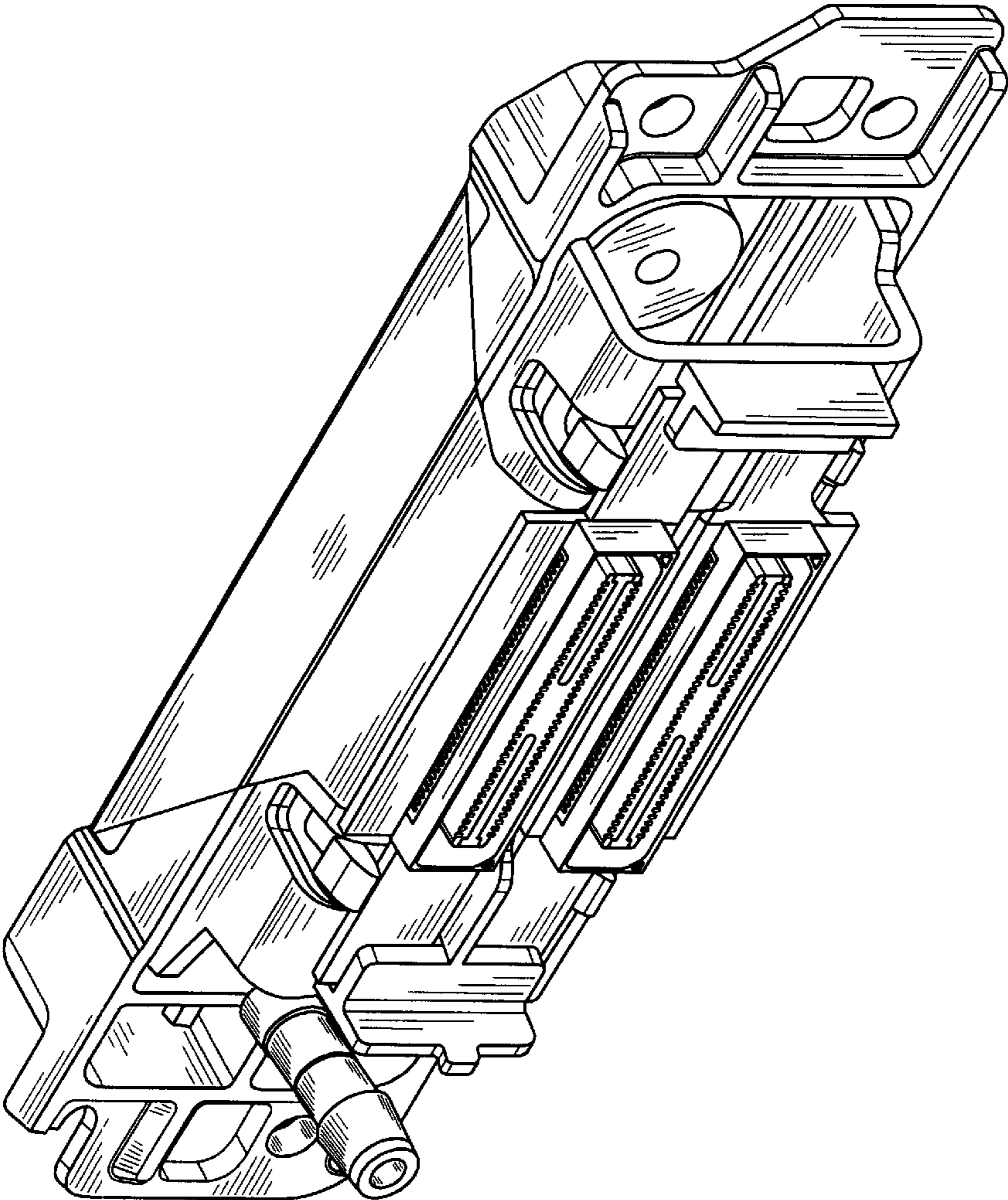


FIG. 1

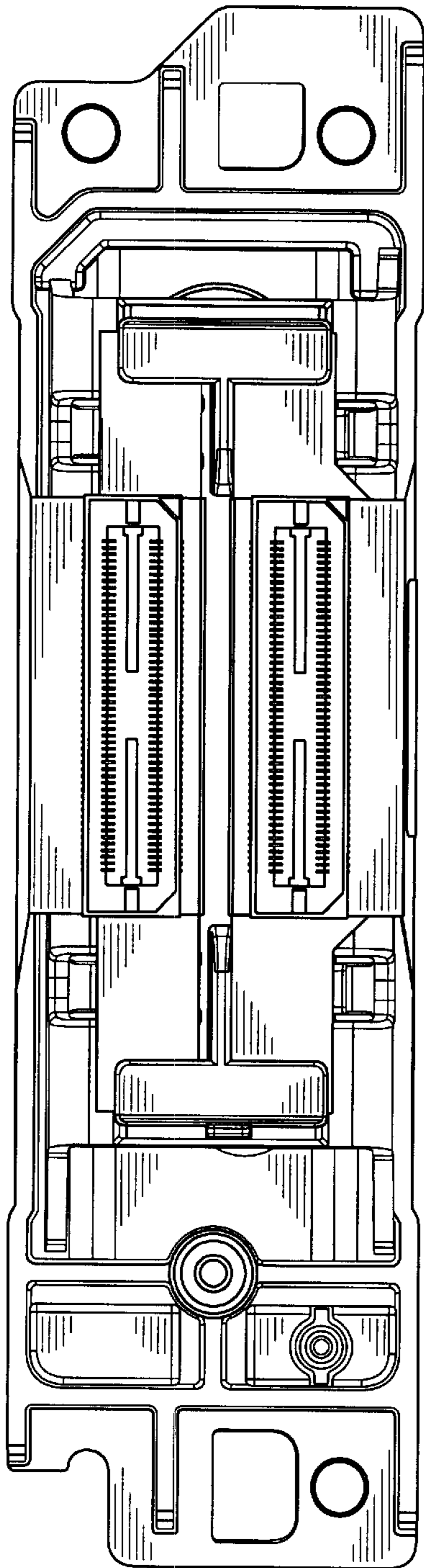


FIG. 2

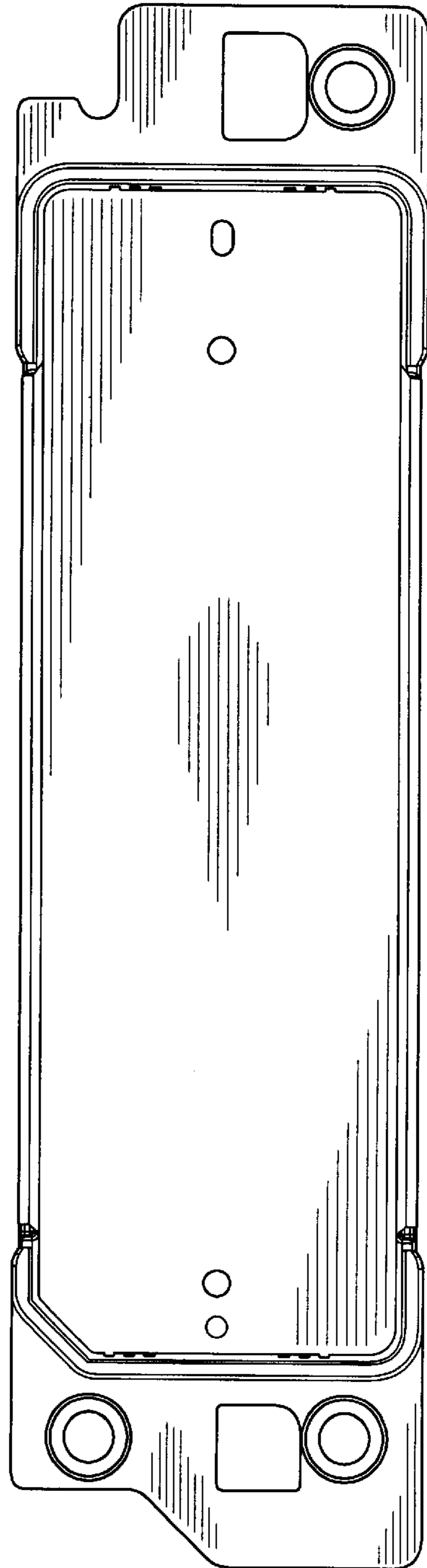


FIG. 3

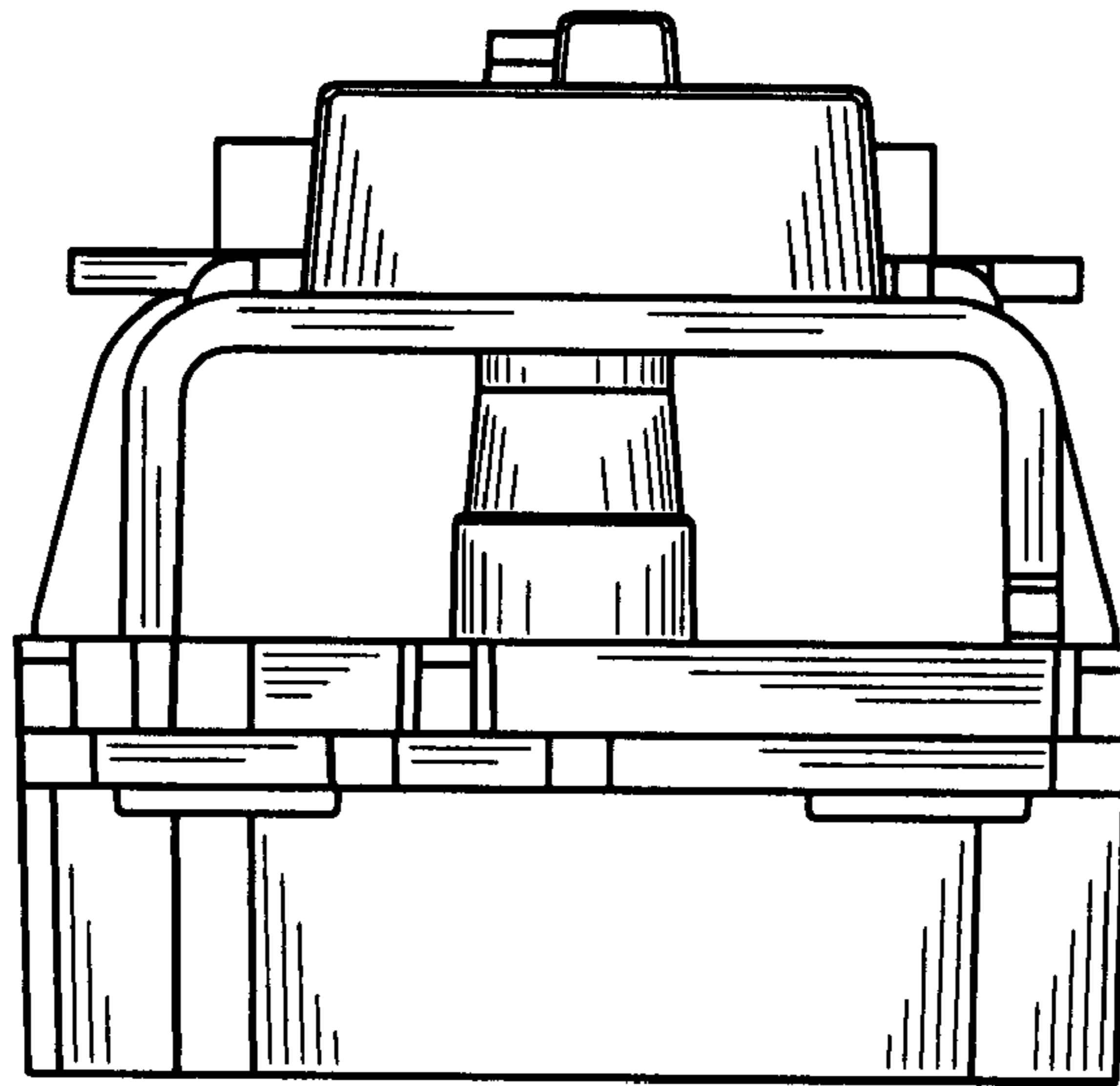


FIG. 5

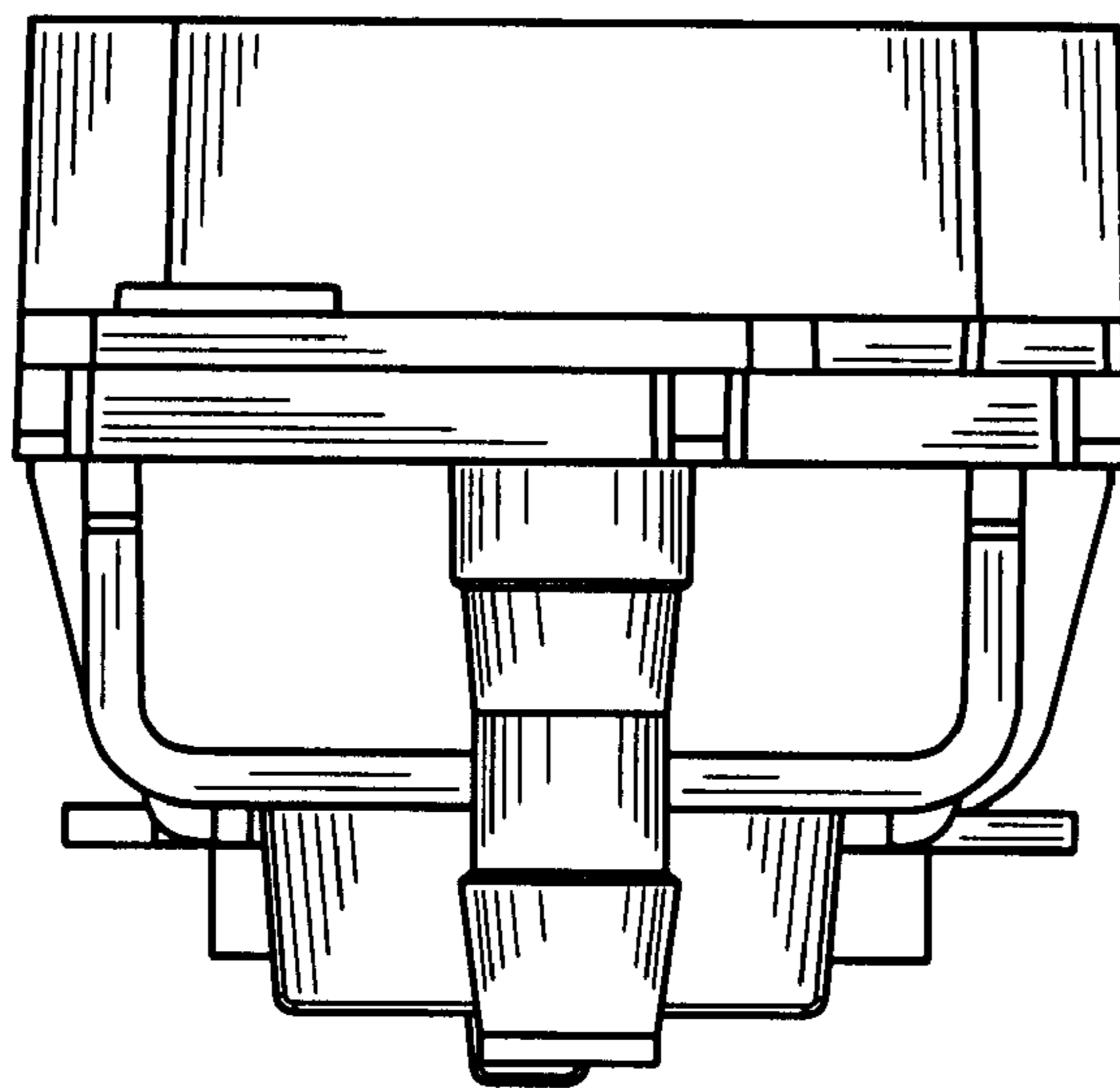


FIG. 4

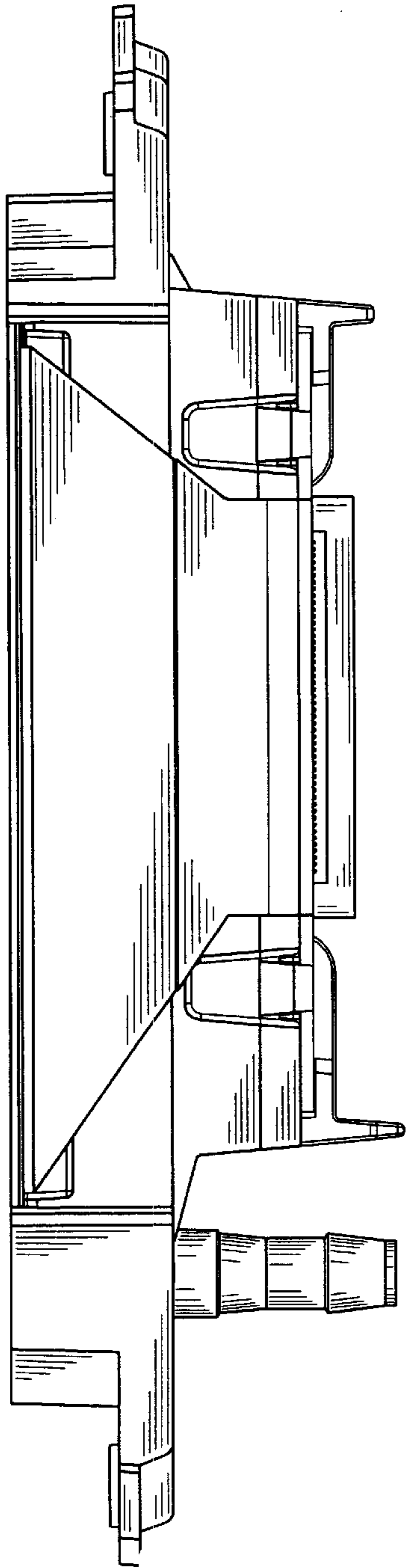


FIG. 6

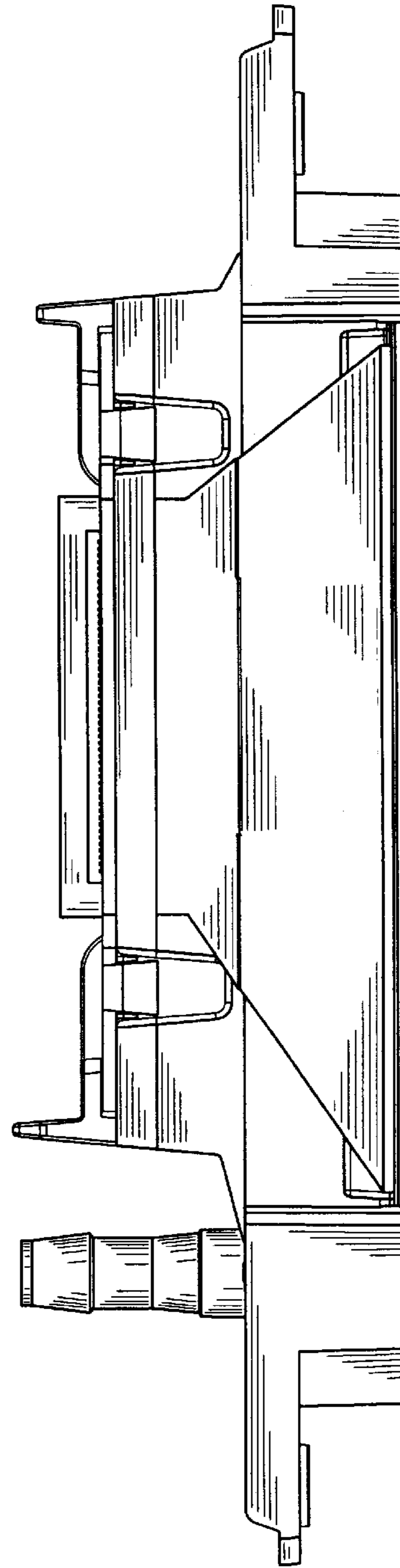


FIG. 7