

US00D542339S

(12) **United States Design Patent**
Whittall et al.

(10) **Patent No.:** **US D542,339 S**

(45) **Date of Patent:** **** May 8, 2007**

(54) **PRINTER**

(75) Inventors: **Christopher L. Whittall**, La Jolla, CA (US); **Angela N. Martin**, Portland, OR (US); **James S. Owen**, Portland, OR (US); **Jeremy A. Saxton**, Lake Oswego, OR (US); **Maria Del Carmen Tate**, Santee, CA (US); **Stephen R. Brown**, Portland, OR (US)

(73) Assignee: **Hewlett-Packard Development Company, L.P.**, Houston, TX (US)

(**) Term: **14 Years**

(21) Appl. No.: **29/223,957**

(22) Filed: **Feb. 23, 2005**

(51) **LOC (8) Cl.** **18-02**

(52) **U.S. Cl.** **D18/50**

(58) **Field of Classification Search** D18/14, D18/19, 36-39, 50, 53, 54, 54.1, 55; D14/420-425, D14/462-470; D16/246-248; 399/107; 400/613, 400/613.1-613.4, 690.1-690.4, 691-694
See application file for complete search history.

(56) **References Cited**

U.S. PATENT DOCUMENTS

D281,256 S * 11/1985 Yamamoto D18/55
D308,219 S * 5/1990 Yoshida D18/55

D308,695 S * 6/1990 Eto et al. D18/55
D326,679 S * 6/1992 Tanaka et al. D18/55
D372,733 S * 8/1996 Yoshida D18/55
D374,032 S * 9/1996 Kobayashi et al. D18/55
D413,919 S * 9/1999 Kobayashi et al. D18/54
D414,799 S * 10/1999 Cook et al. D18/55
D441,394 S * 5/2001 Kobayashi et al. D18/54
D451,130 S * 11/2001 Clark et al. D18/55
D459,389 S * 6/2002 Kaseno D18/50
D521,059 S * 5/2006 Richtsmeier et al. D18/55
D522,045 S * 5/2006 Lee et al. D18/55
D523,069 S * 6/2006 Akahane et al. D18/50

* cited by examiner

Primary Examiner—Cathy Anne MacCormac

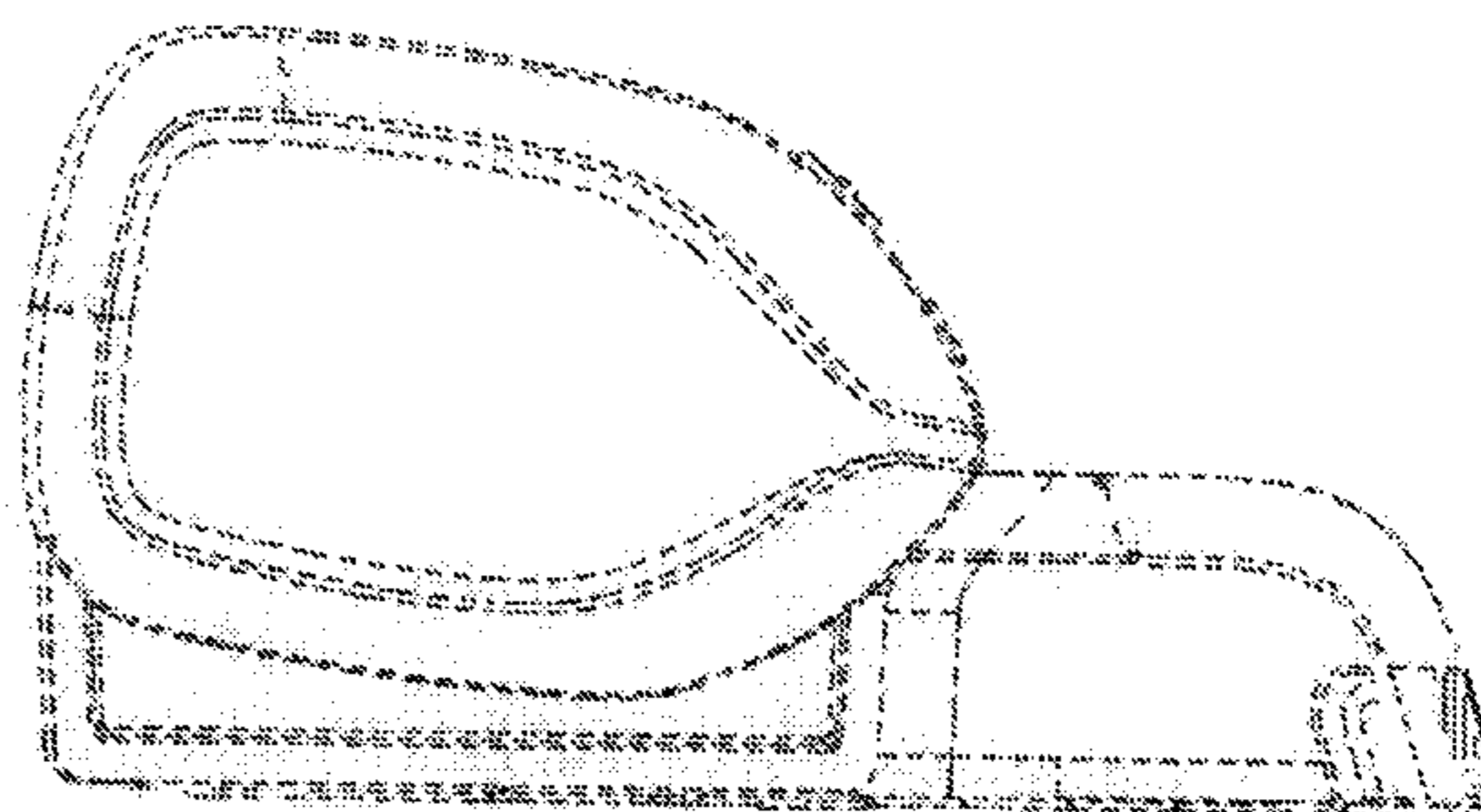
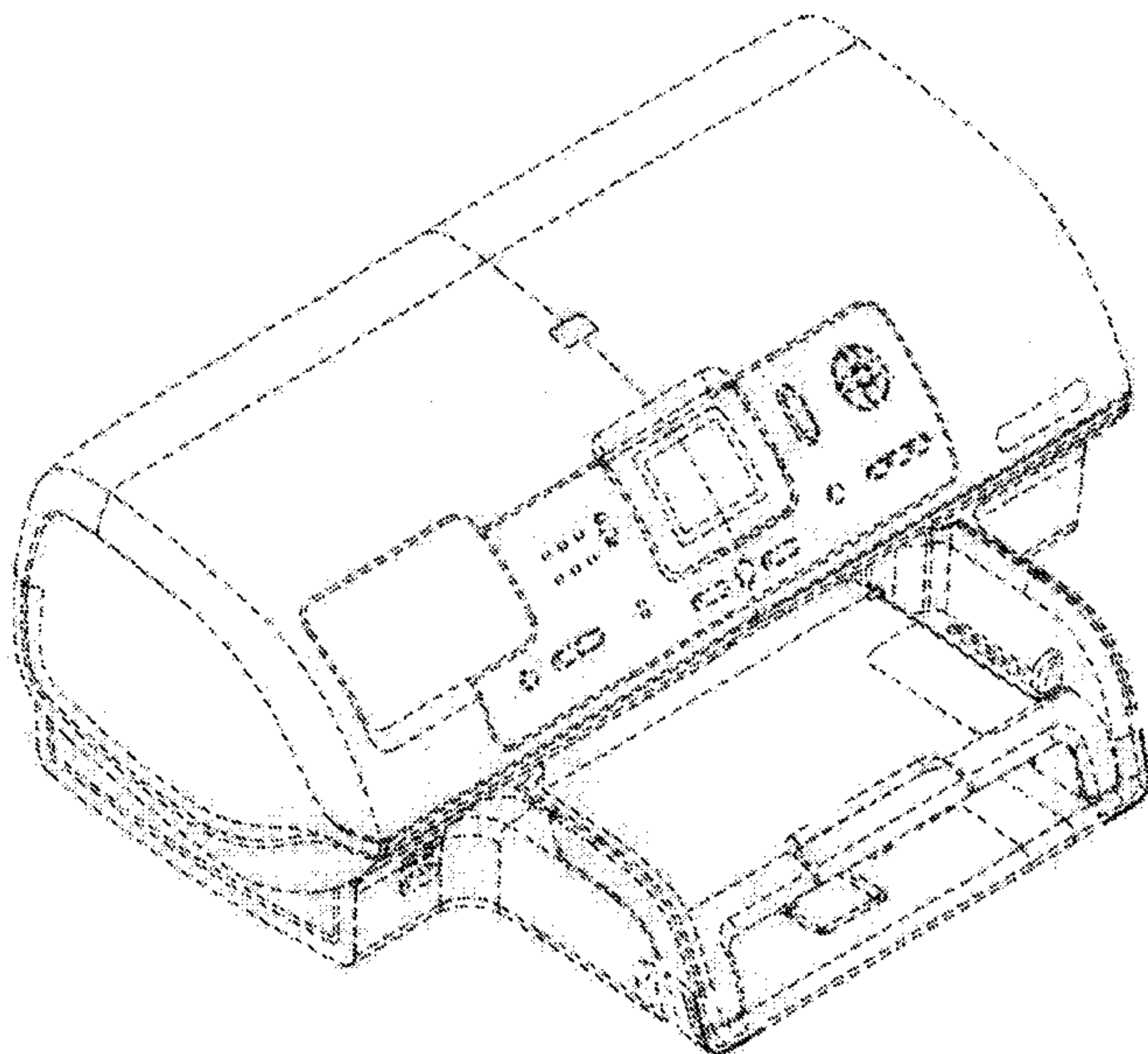
(57) **CLAIM**

We claim the ornamental design for a printer, as shown and described.

DESCRIPTION

FIG. 1 is a top perspective view of a design for a printer; FIG. 2 is a left-side elevational view thereof, the right-side elevational view being a mirror image thereof; FIG. 3 is a top plan view thereof; FIG. 4 is a front elevational view thereof; and, FIG. 5 is a rear elevational view thereof.
The broken lines are for illustrative purposes only and form no part of the claimed design.

1 Claim, 3 Drawing Sheets



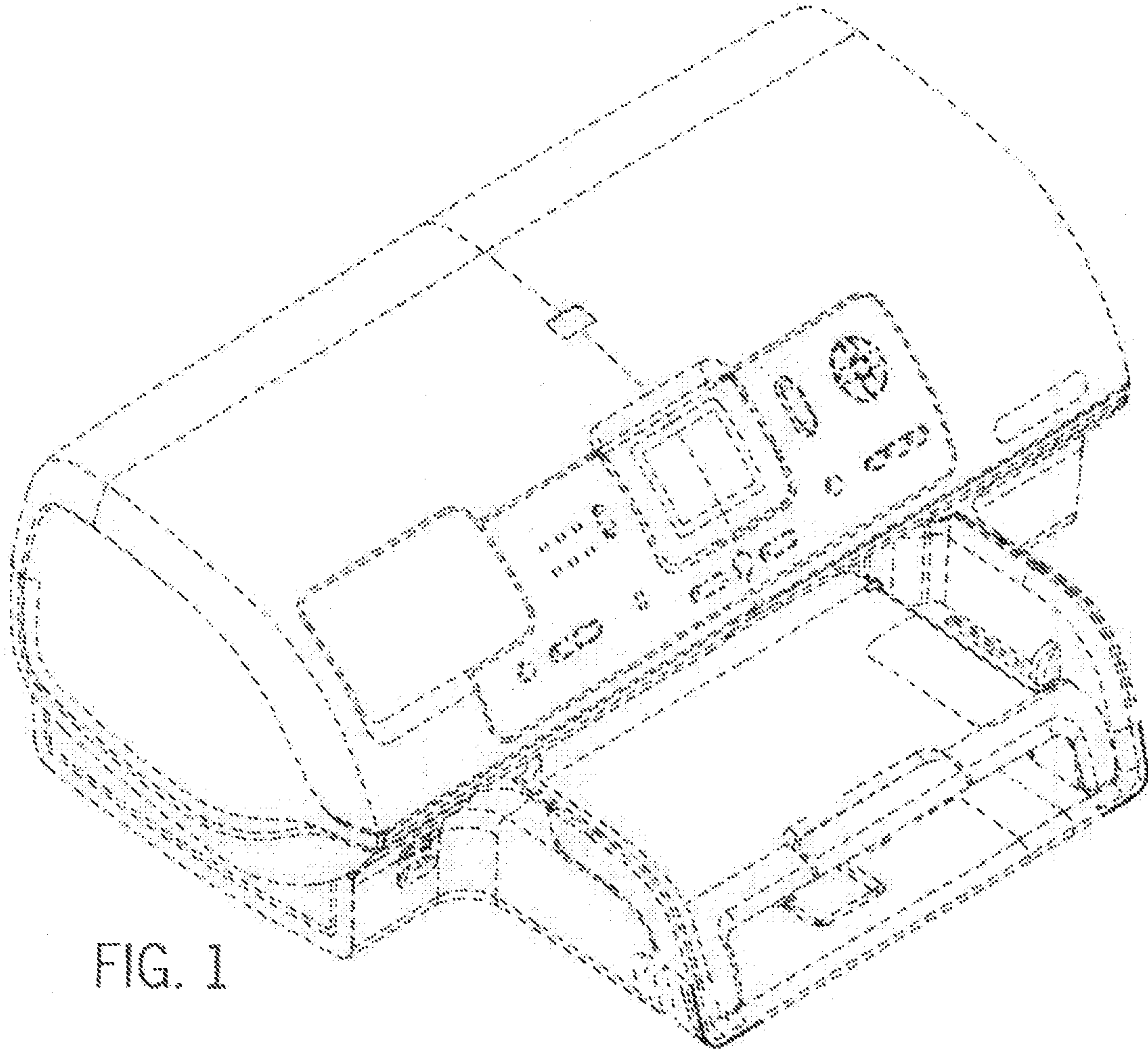


FIG. 1

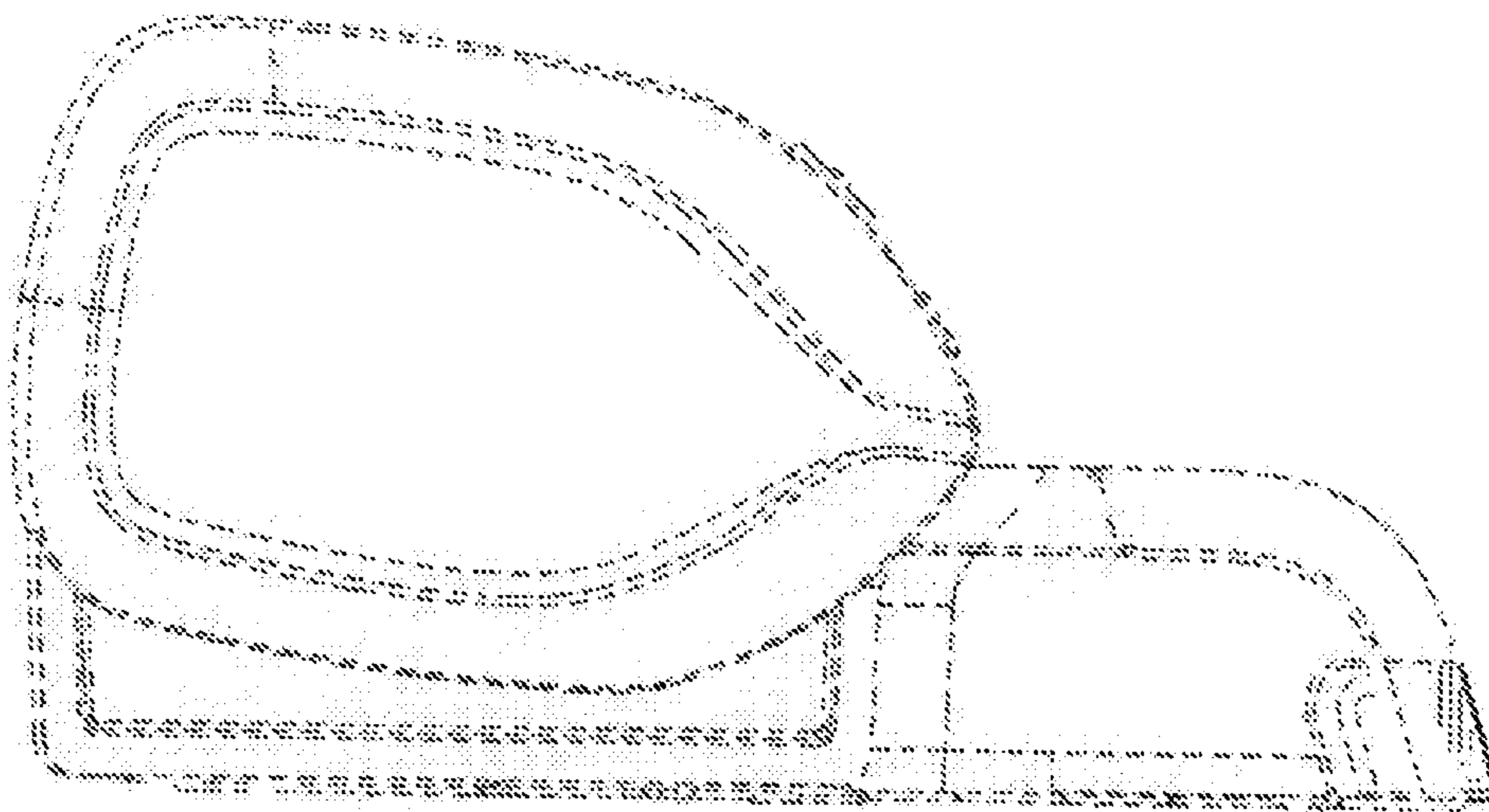


FIG. 2

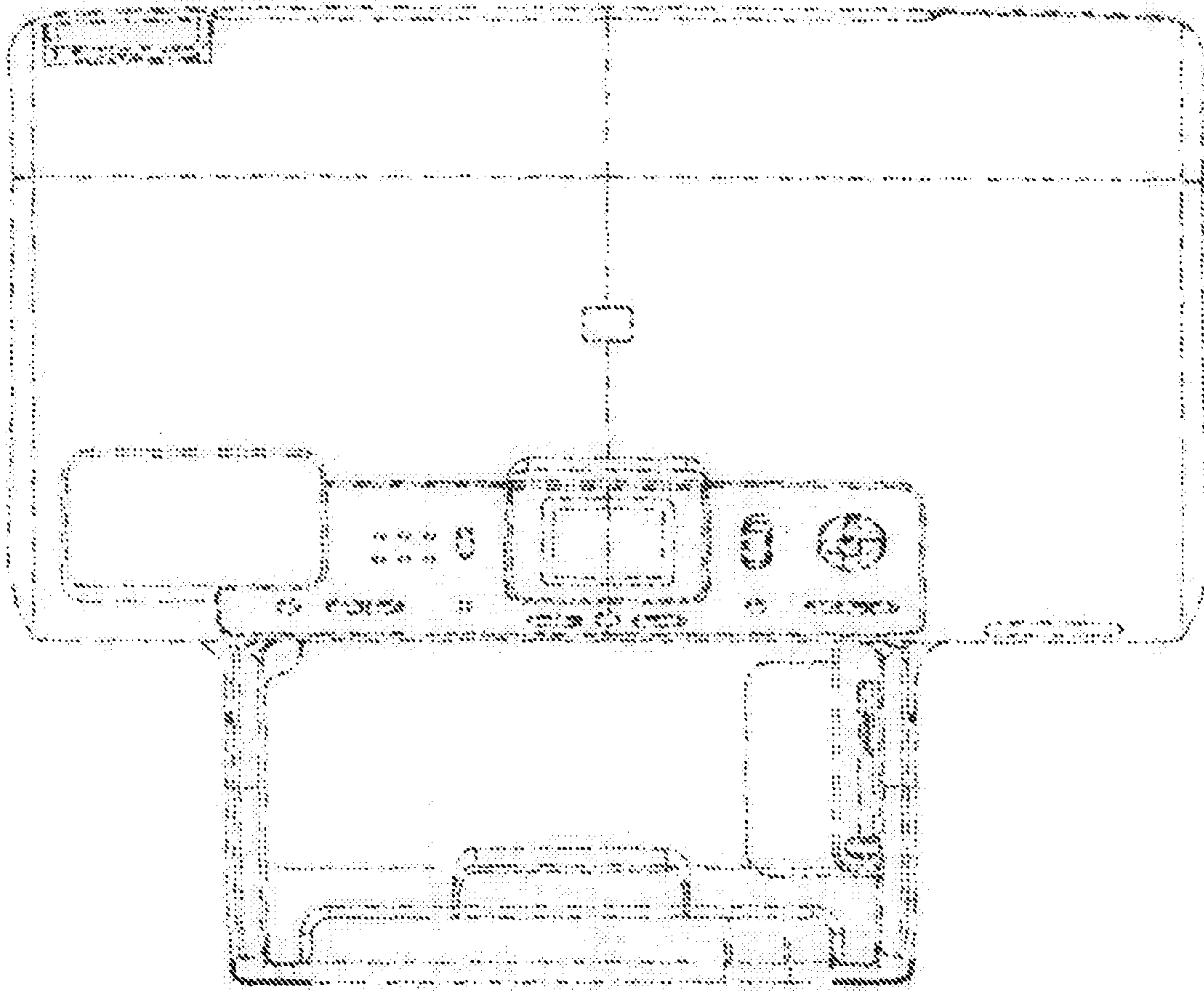


FIG. 3

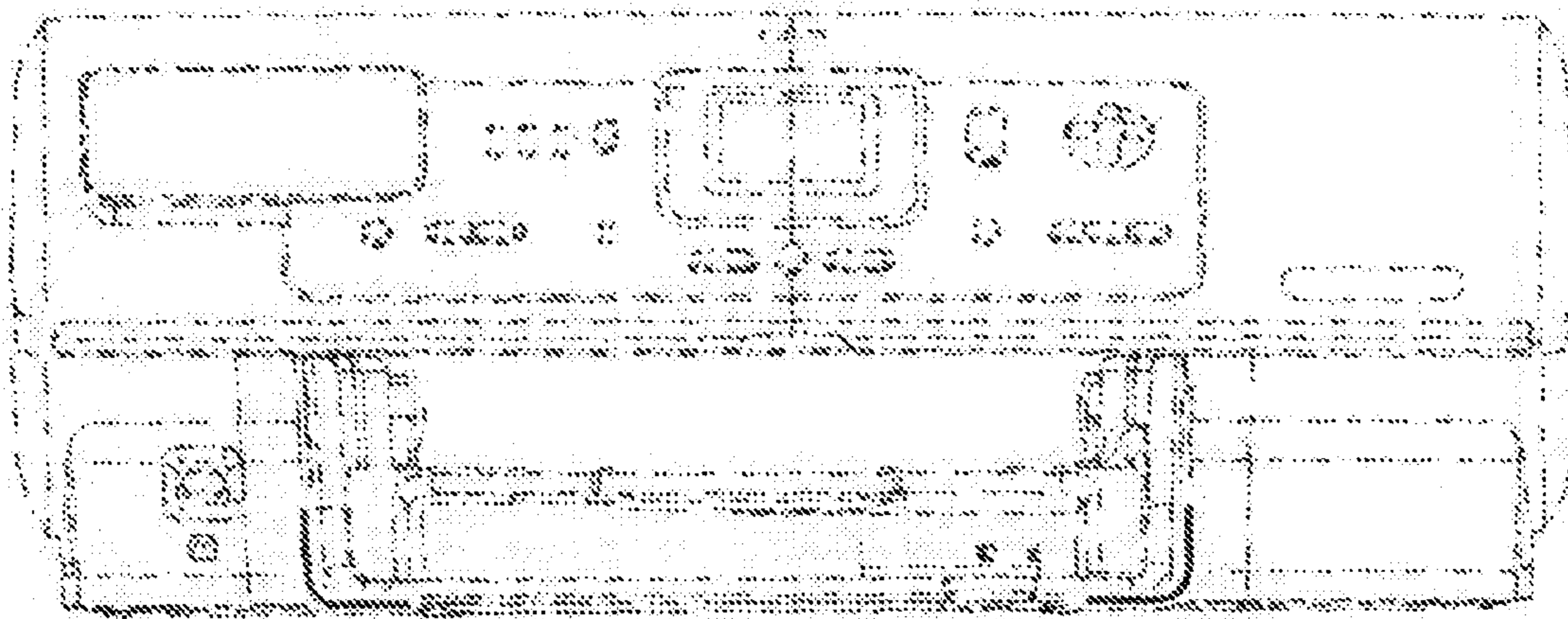


FIG. 4

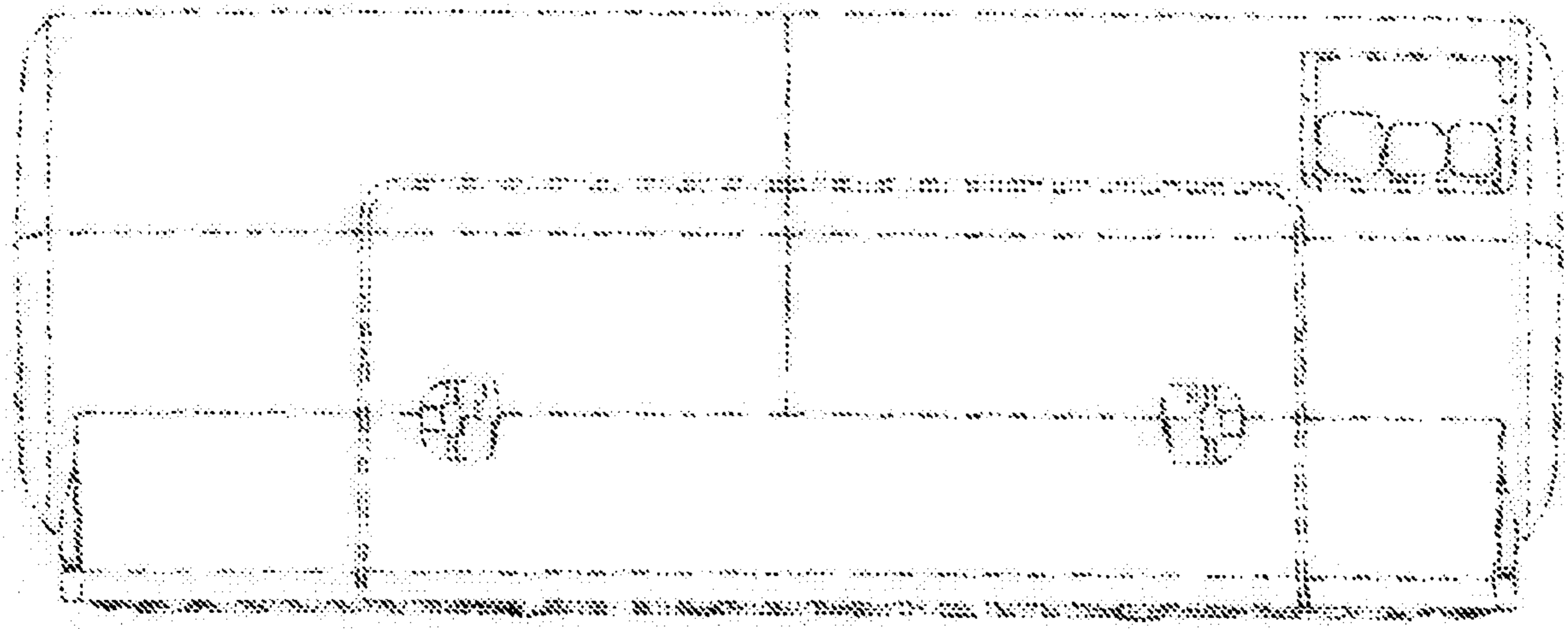


FIG. 5