



US00D542334S

(12) **United States Design Patent**
Harada et al.

(10) **Patent No.:** **US D542,334 S**

(45) **Date of Patent:** **** May 8, 2007**

(54) **TAPE CARTRIDGE FOR TAPE PRINTING MACHINE**

(75) Inventors: **Hironori Harada**, Chiryu (JP);
Tsutomu Kato, Nagoya (JP); **Yoshihito Nonomura**, Gifu (JP); **Akira Ito**, Nagoya (JP); **Nobuo Kato**, Nagoya (JP)

(73) Assignee: **Brother Industries, Ltd.**, Nagoya (JP)

(**) Term: **14 Years**

(21) Appl. No.: **29/208,801**

(22) Filed: **Jul. 7, 2004**

Related U.S. Application Data

(63) Continuation-in-part of application No. 29/170,477, filed on Nov. 7, 2002, now abandoned, and a continuation-in-part of application No. 29/170,868, filed on Nov. 14, 2002, now abandoned.

(30) **Foreign Application Priority Data**

May 15, 2002 (JP) 2002-12902
May 15, 2002 (JP) 2002-12903

(51) **LOC (8) Cl.** **18-01**

(52) **U.S. Cl.** **D18/12**

(58) **Field of Classification Search** D18/12,
D18/36, 40, 43, 44, 56; D14/562, 469-471,
D14/474-484; 222/DIG. 1; 347/49, 86, 87,
347/197, 214, 222; 399/24-28, 107-112,
399/119, 222-224; 400/194, 196, 207, 208
See application file for complete search history.

(56) **References Cited**

U.S. PATENT DOCUMENTS

D211,791 S 7/1968 Adell
D224,683 S 8/1972 Wada et al.
D281,333 S * 11/1985 Nibley et al. D18/56
D305,549 S * 1/1990 Bellini D18/12
D311,416 S 10/1990 Richardson et al.
D342,275 S 12/1993 Cooper
D342,276 S 12/1993 Tsushima
5,316,235 A * 5/1994 East et al. 242/346

D349,895 S * 8/1994 Gramuglia D14/476
D352,305 S 11/1994 Cooper
D359,303 S * 6/1995 Gray et al. D18/12
5,425,481 A * 6/1995 Makie et al. 222/DIG. 1
5,435,658 A 7/1995 Hasegawa
5,618,119 A * 4/1997 Misu et al. 400/208
5,620,268 A * 4/1997 Yamaguchi et al. 400/207
5,653,542 A 8/1997 Sugimoto et al.
D384,055 S * 9/1997 Luo D14/476
5,771,803 A * 6/1998 Takami 400/208
5,813,773 A 9/1998 Kawai
5,949,467 A * 9/1999 Gunther et al. 347/214
D432,561 S 10/2000 Shimamura et al.
D435,589 S 12/2000 Huss
6,485,206 B1 * 11/2002 Takahashi 400/207
6,493,937 B1 * 12/2002 Axtell et al. 347/49
6,520,696 B2 * 2/2003 Huss et al. 400/208
D509,531 S * 9/2005 Geserich D18/12

FOREIGN PATENT DOCUMENTS

GB 2037151 8/1993

* cited by examiner

Primary Examiner—Robert M. Spear

Assistant Examiner—Garth Rademaker

(74) *Attorney, Agent, or Firm*—Oliff & Berridge, PLC

(57) **CLAIM**

The ornamental design for a tape cartridge for tape printing machine, as shown and described.

DESCRIPTION

FIG. 1 is a perspective view of a tape cartridge for tape printing machine;

FIG. 2 is an enlarged perspective view thereof;

FIG. 3 is a front view thereof;

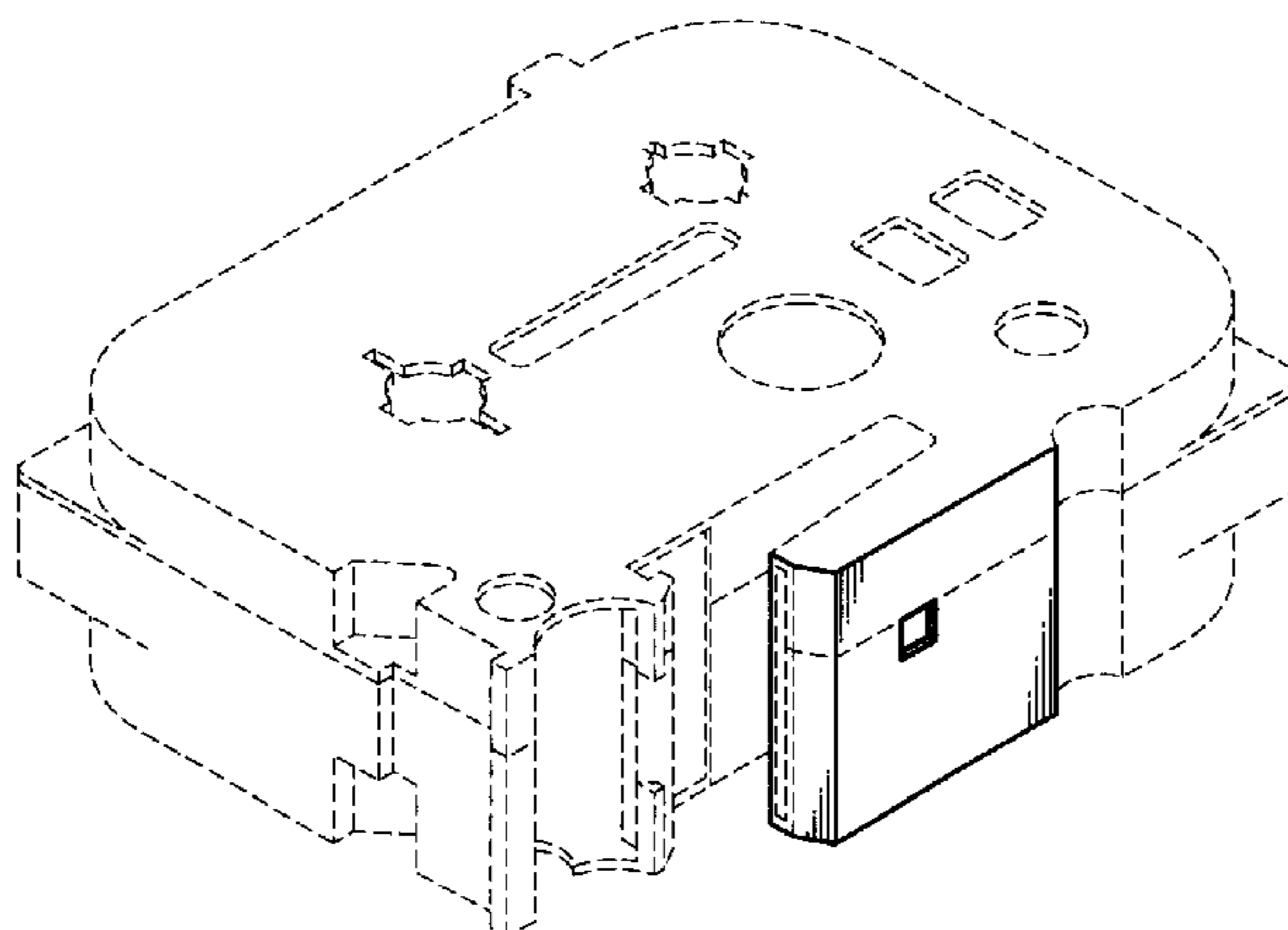
FIG. 4 is an enlarged front view thereof;

FIG. 5 is an enlarged partial cross-sectional view thereof taken along the lines 5—5 of FIG. 4; and,

FIG. 6 is an enlarged partial cross-sectional view thereof taken along the lines 6—6 of FIG. 4.

The broken line showing is for illustrative purposes only and forms no part of the claimed design.

1 Claim, 2 Drawing Sheets



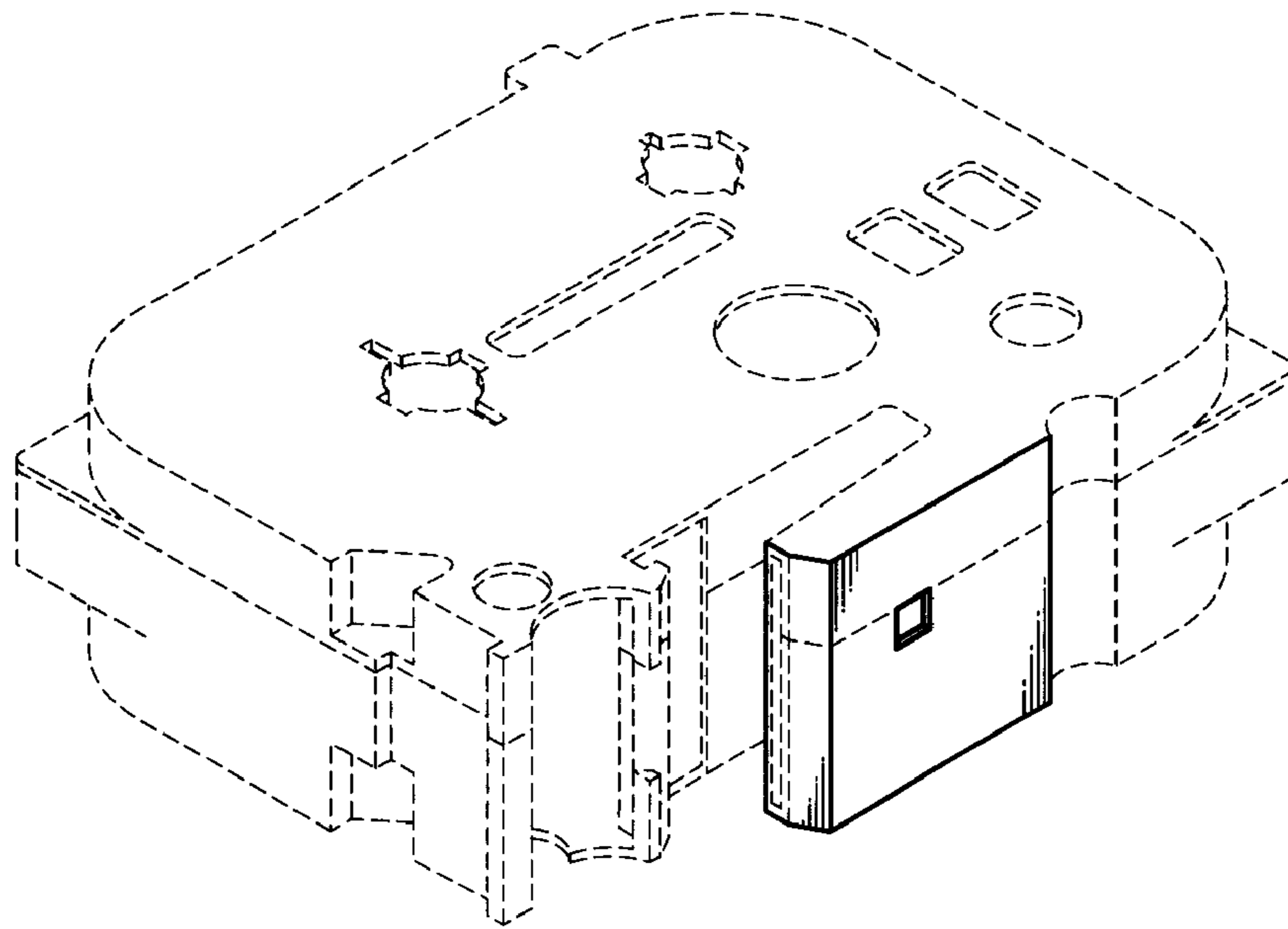


Fig. 1

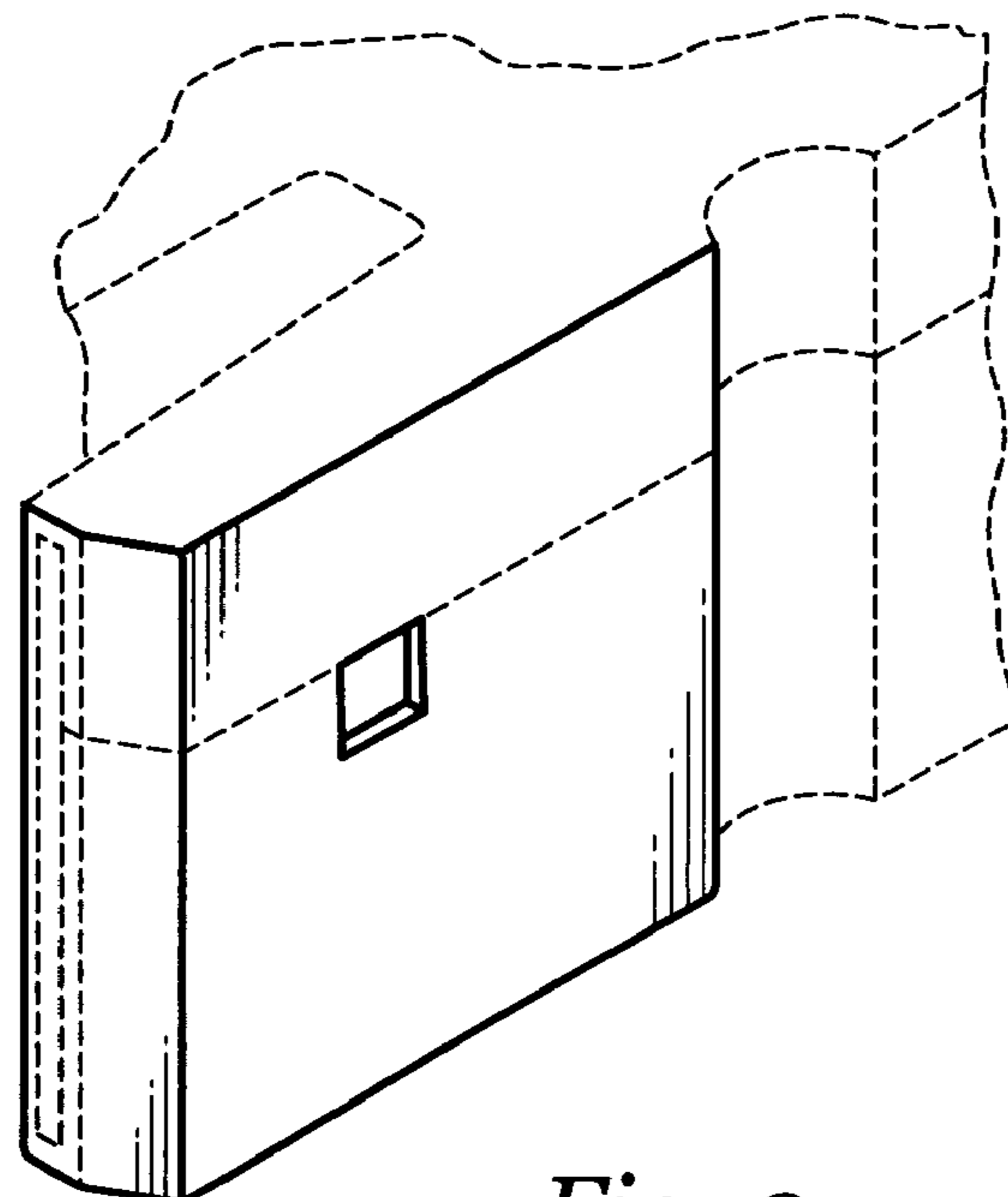


Fig. 2

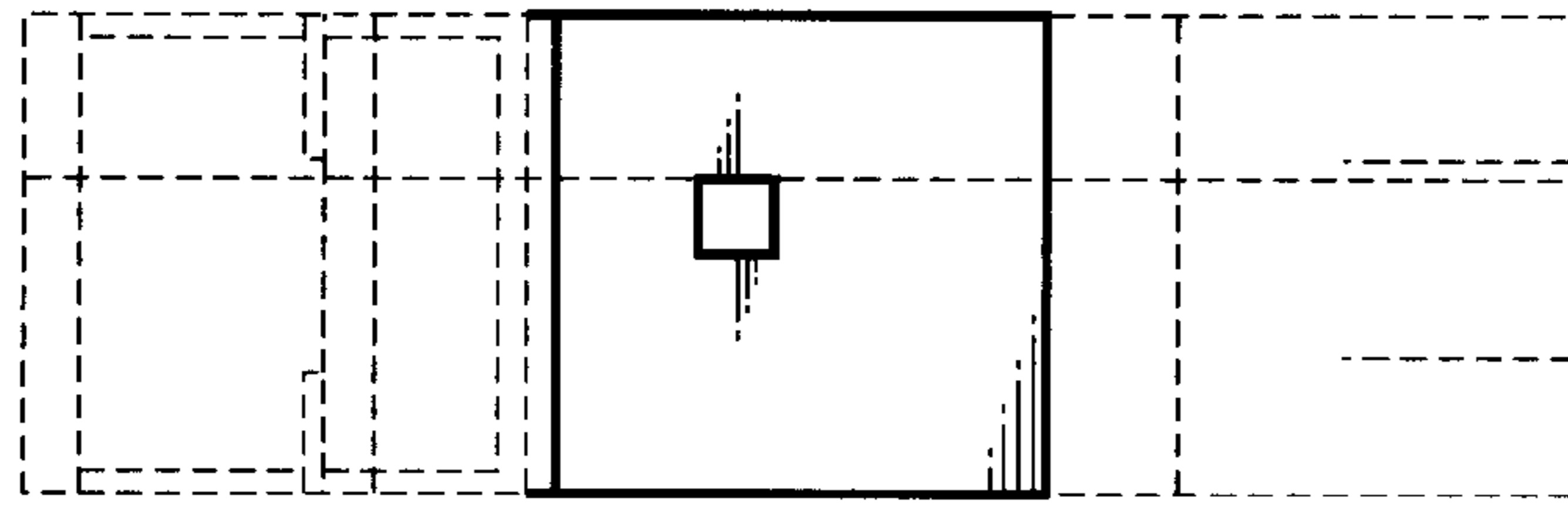


Fig. 3

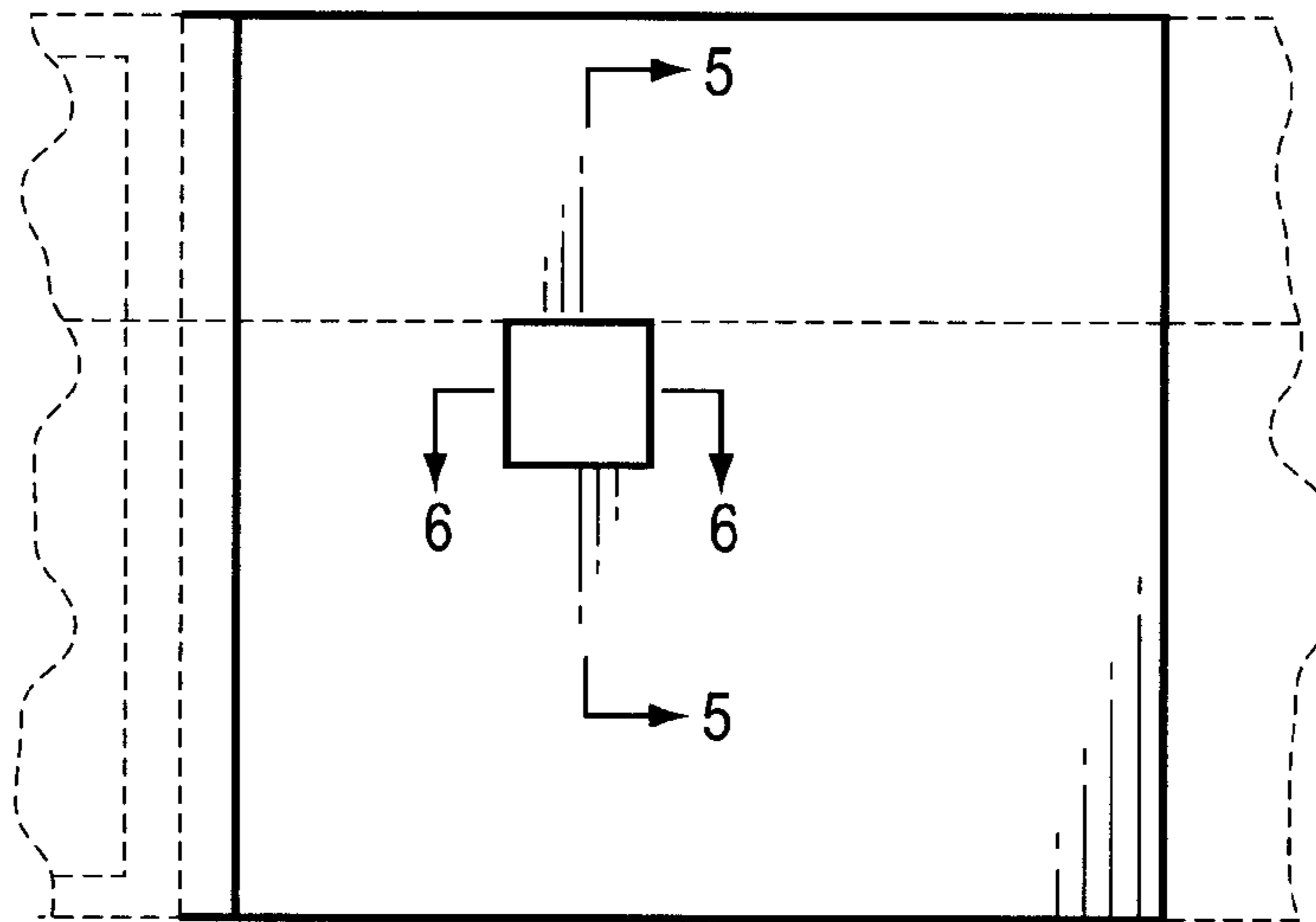


Fig. 4



Fig. 5



Fig. 6