

US00D542333S

(12) **United States Design Patent**
Ando et al.

(10) **Patent No.:** **US D542,333 S**

(45) **Date of Patent:** **** May 8, 2007**

(54) **CASH REGISTER**

(75) Inventors: **Taku Ando**, Tokyo (JP); **Toshiyuki Ichikawa**, Atsugi (JP); **Youhei Shimura**, Tokyo (JP)

(73) Assignee: **Fujitsu Limited**, Kawasaki (JP)

(**) Term: **14 Years**

(21) Appl. No.: **29/254,112**

(22) Filed: **Feb. 17, 2006**

(30) **Foreign Application Priority Data**

Jan. 30, 2006 (JP) 2006-001910

(51) **LOC (8) Cl.** **18-01**

(52) **U.S. Cl.** **D18/4.6; D18/4.5**

(58) **Field of Classification Search** D18/3.1-3.3, D18/4.1-4.6, 6-8, 11, 12, 12.1-12.3; D14/336, D14/371-376, 385-387; D21/324, 329, 332, D21/333; D99/28, 34-36, 43; 235/1 E, 2, 235/7 R, 12, 22, 33, 51, 52; 705/12, 15-18, 705/43

See application file for complete search history.

(56) **References Cited**

U.S. PATENT DOCUMENTS

D428,863 S * 8/2000 Rahemtulla et al. D14/337

D432,533 S * 10/2000 Jin D14/336
D442,951 S * 5/2001 Hill et al. D14/336
D451,917 S * 12/2001 Rahemtulla et al. D14/337
D527,759 S * 9/2006 Ono D18/4.5
D529,073 S * 9/2006 Ono D18/4.5

* cited by examiner

Primary Examiner—Caron D. Veynar

Assistant Examiner—Garth Rademaker

(74) *Attorney, Agent, or Firm*—Staas & Halsey LLP

(57) **CLAIM**

The ornamental design for a cash register, as shown.

DESCRIPTION

FIG. 1 is a top, front and left side perspective view of a cash register showing our new design;

FIG. 2 is a top, rear and right side perspective view thereof;

FIG. 3 is a front view thereof;

FIG. 4 is a rear view thereof;

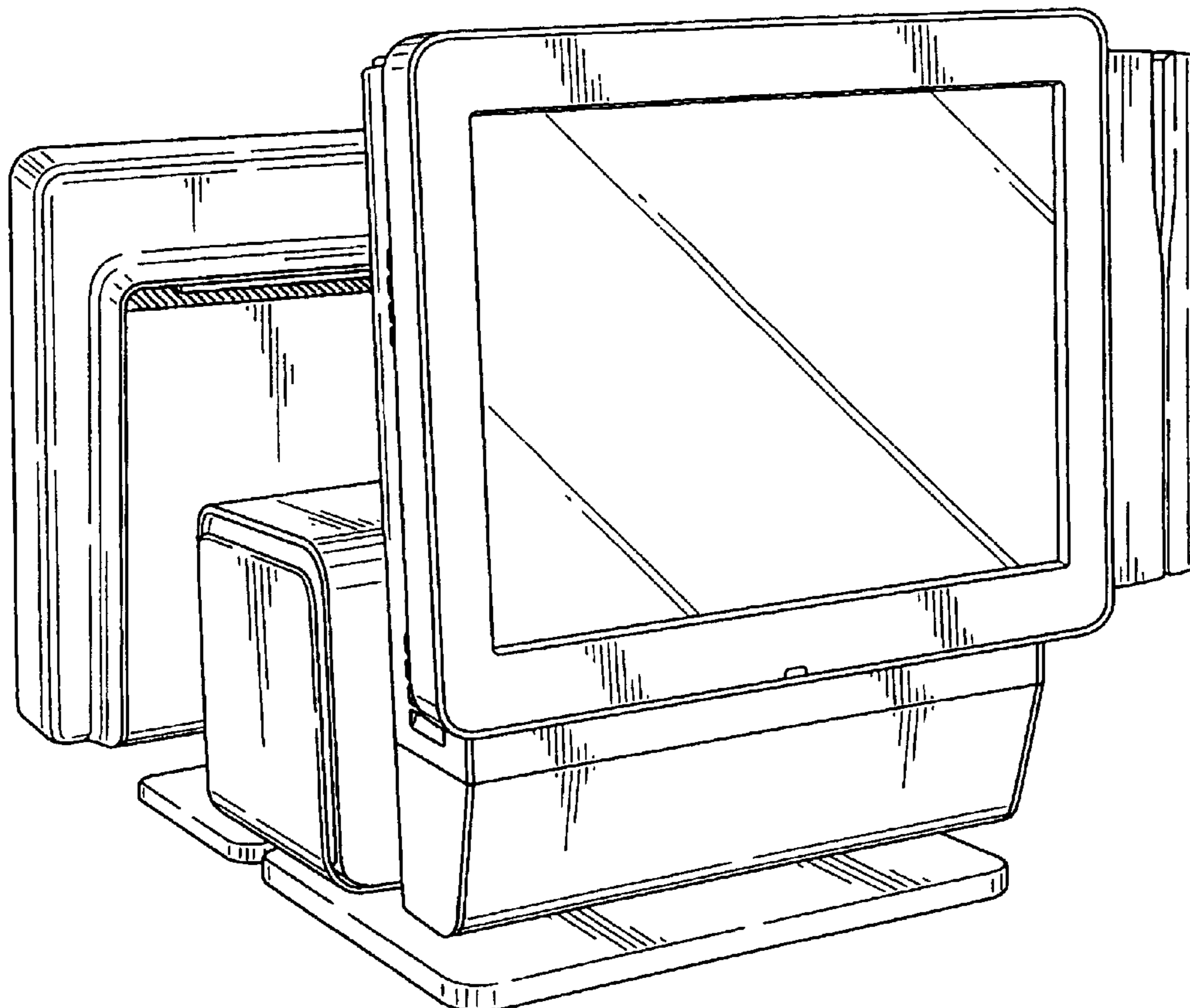
FIG. 5 is a left side view thereof;

FIG. 6 is a right side view thereof;

FIG. 7 is a top plan view thereof; and,

FIG. 8 is a bottom view thereof.

1 Claim, 8 Drawing Sheets



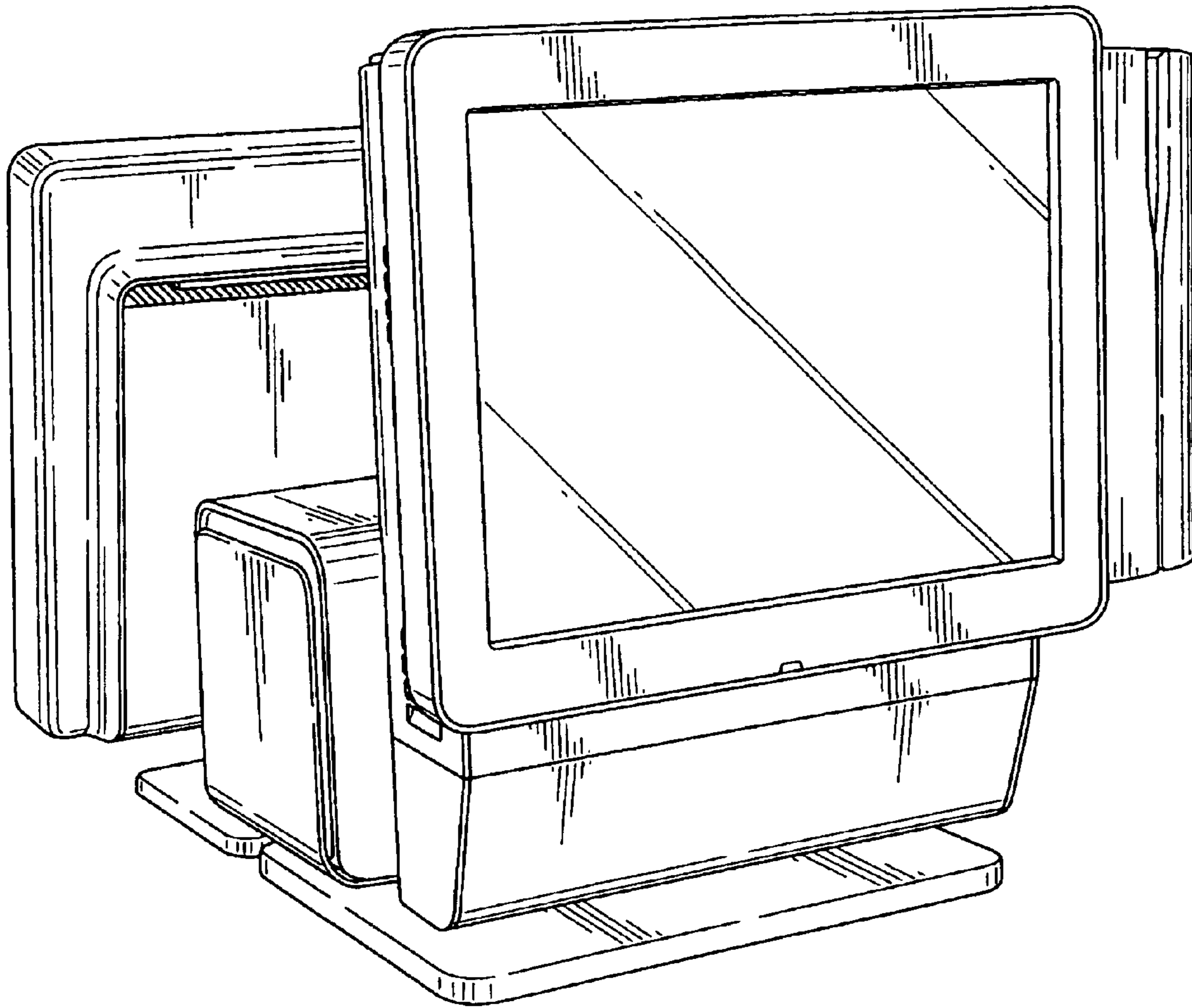


FIG. 1

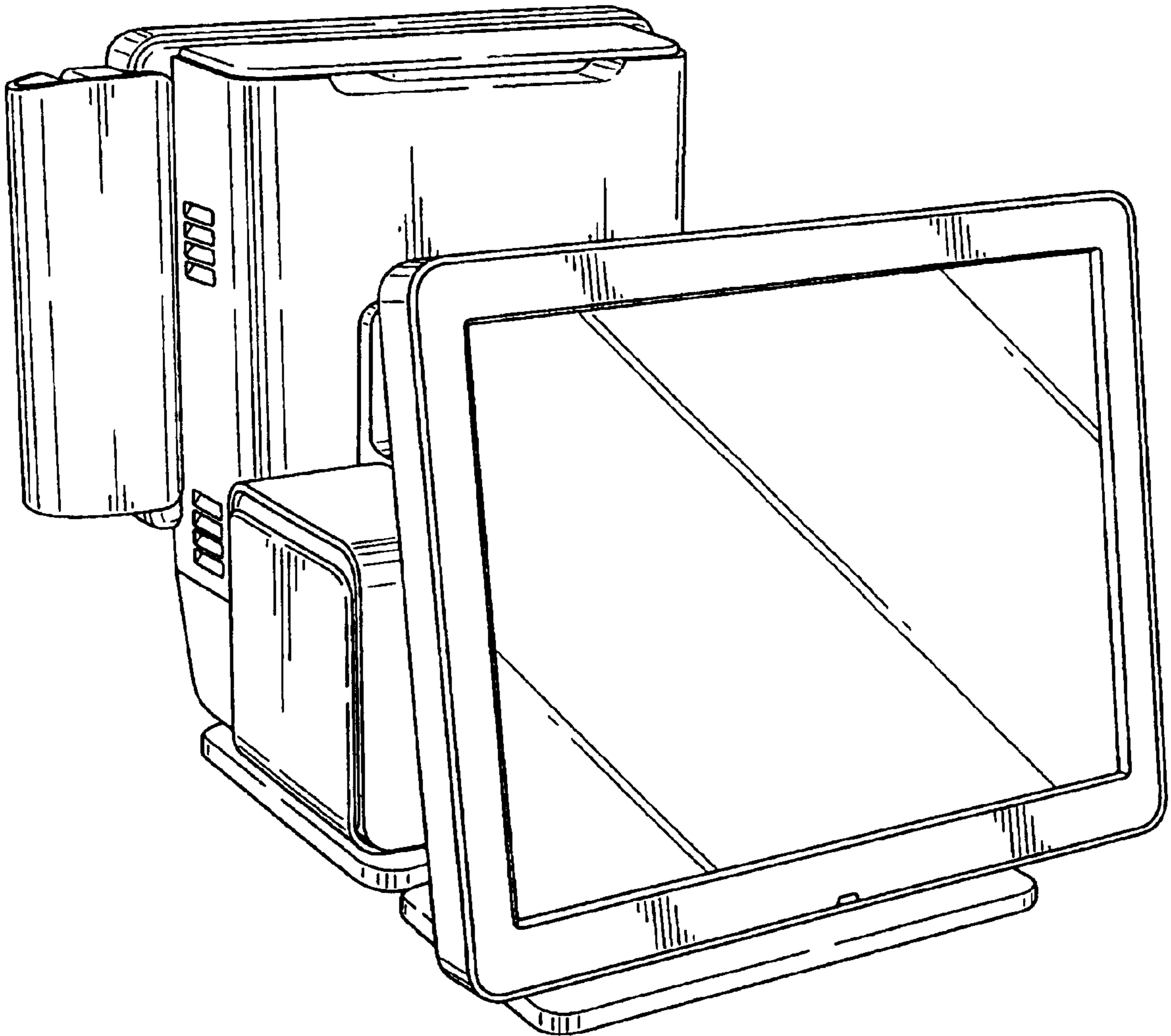


FIG. 2

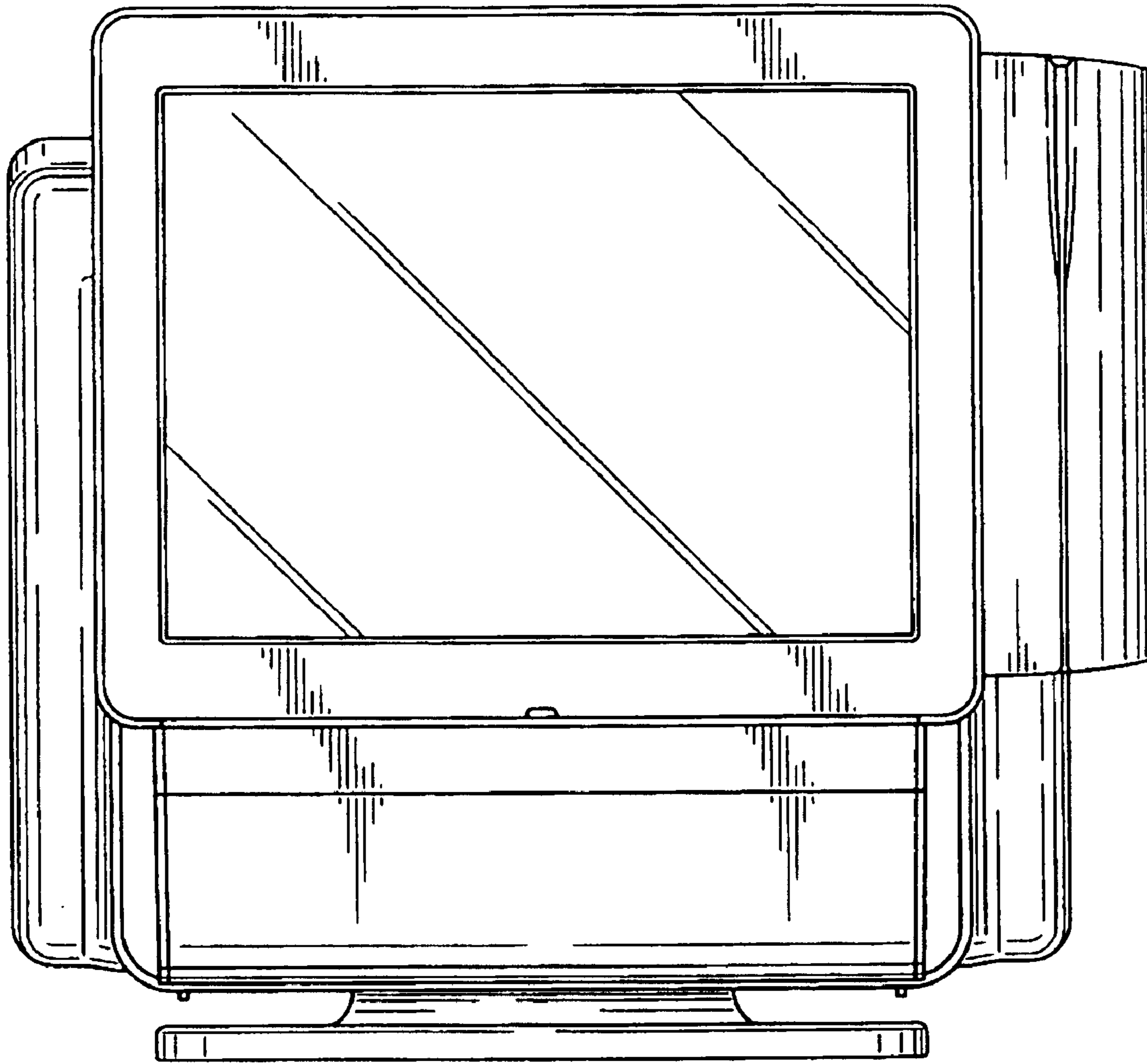


FIG. 3

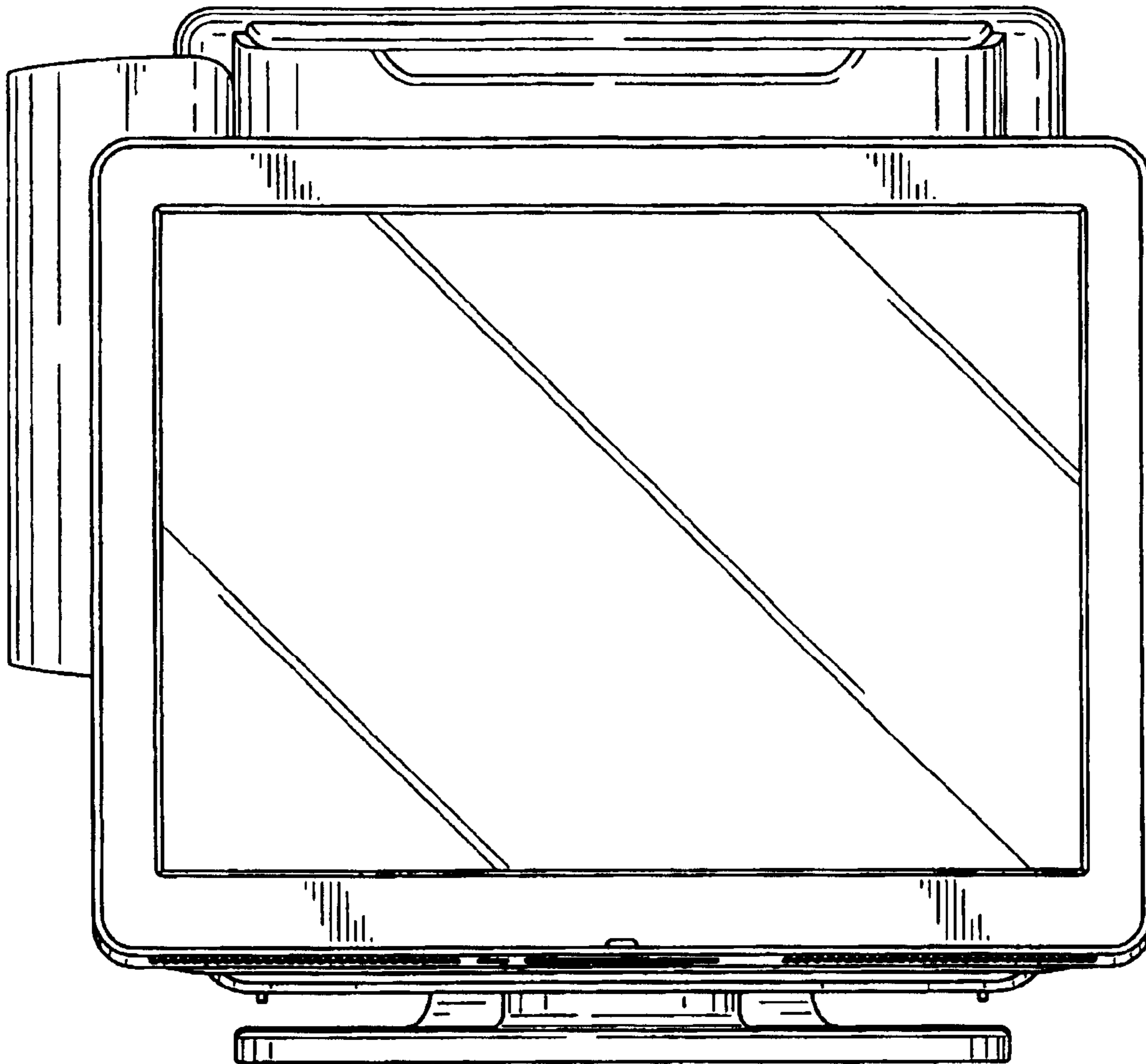


FIG. 4

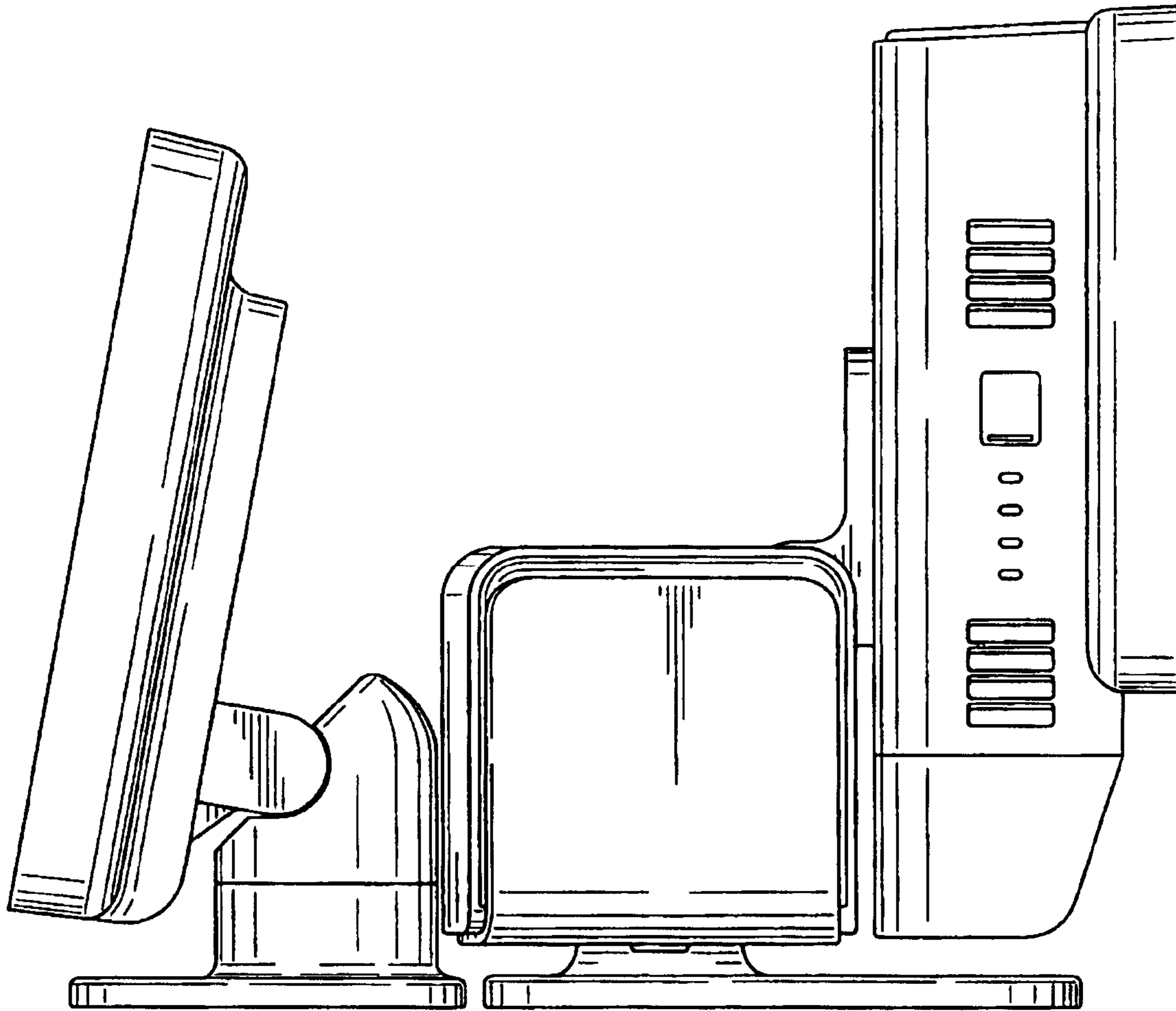


FIG. 5

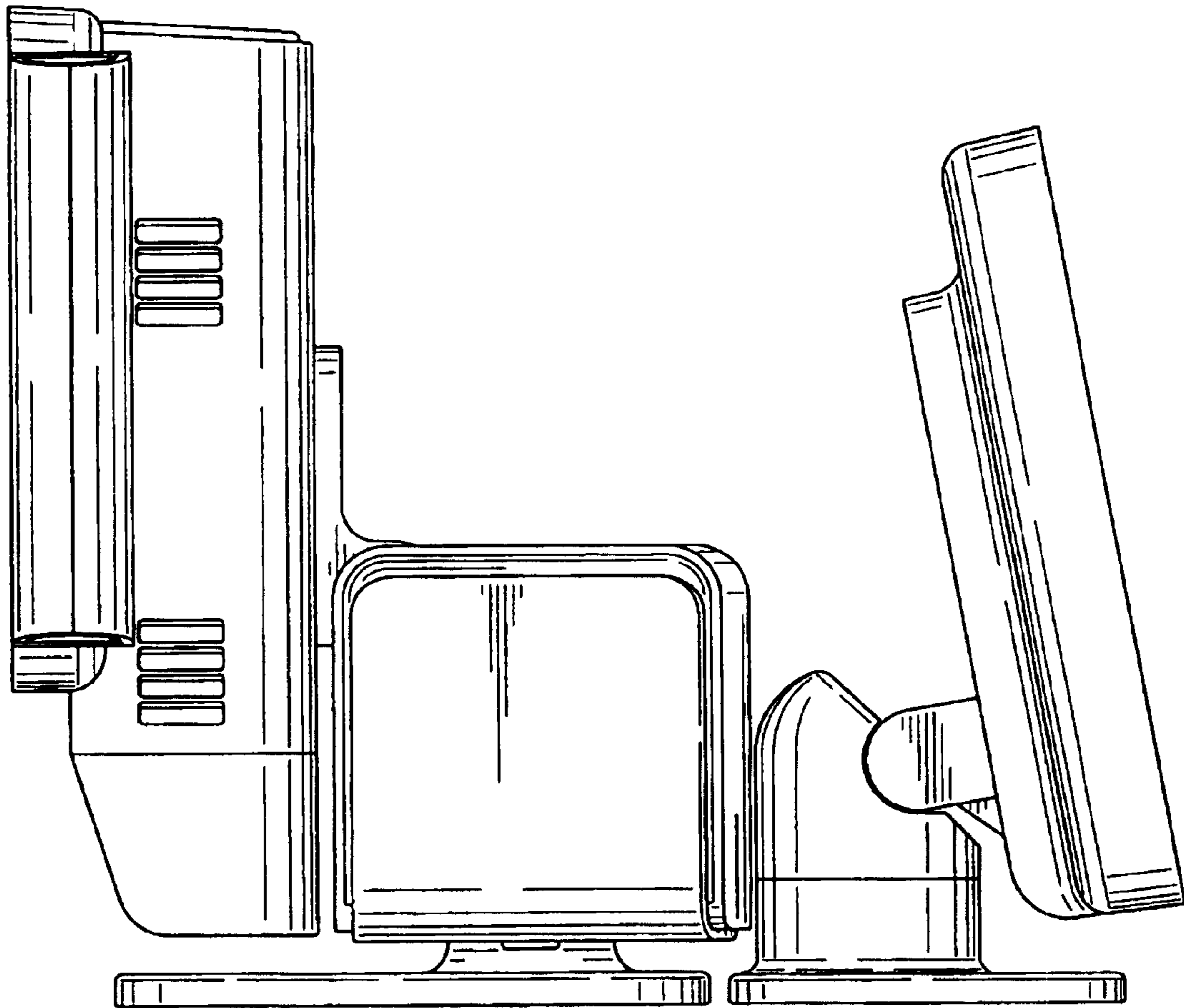


FIG. 6

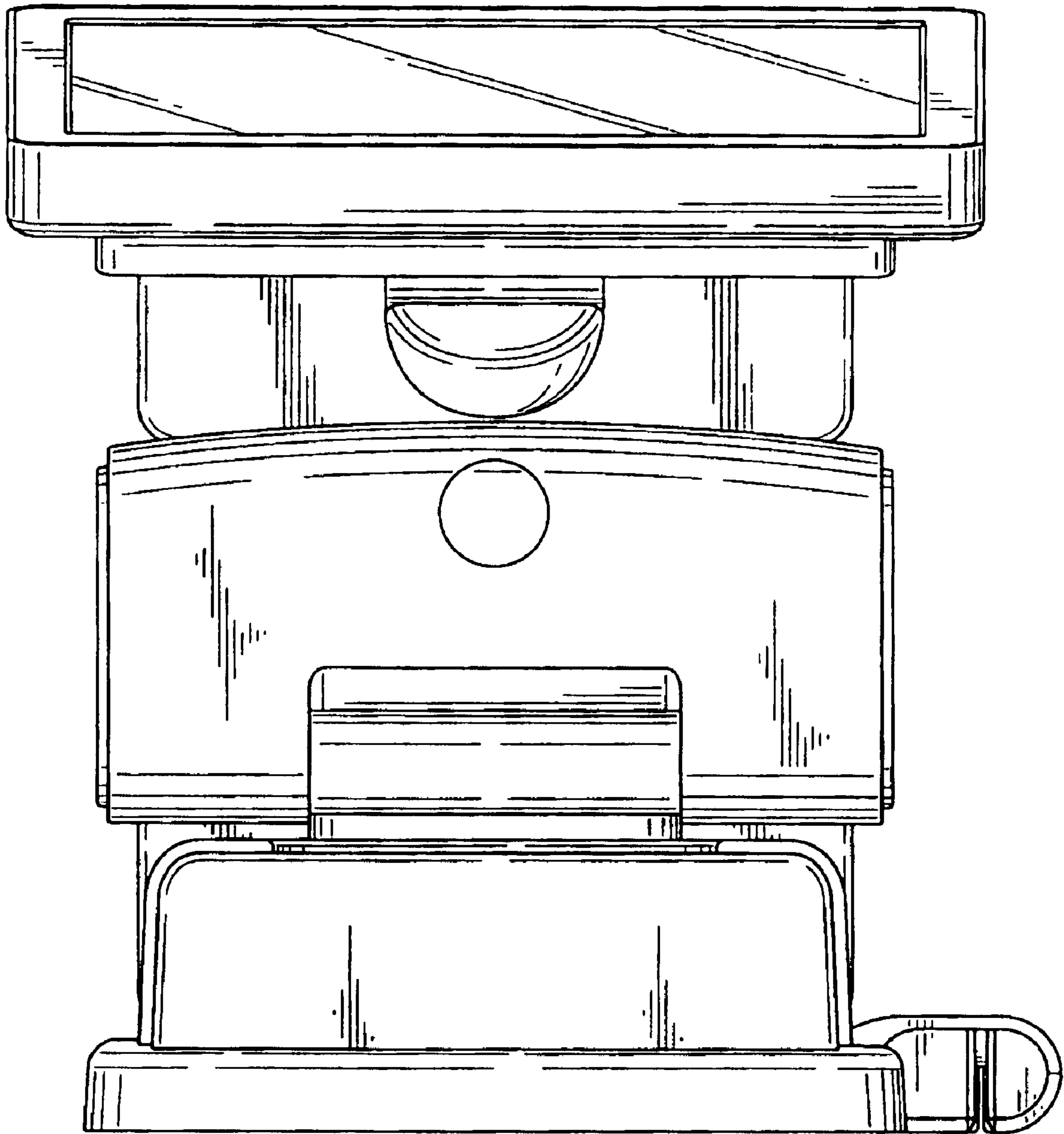


FIG. 7

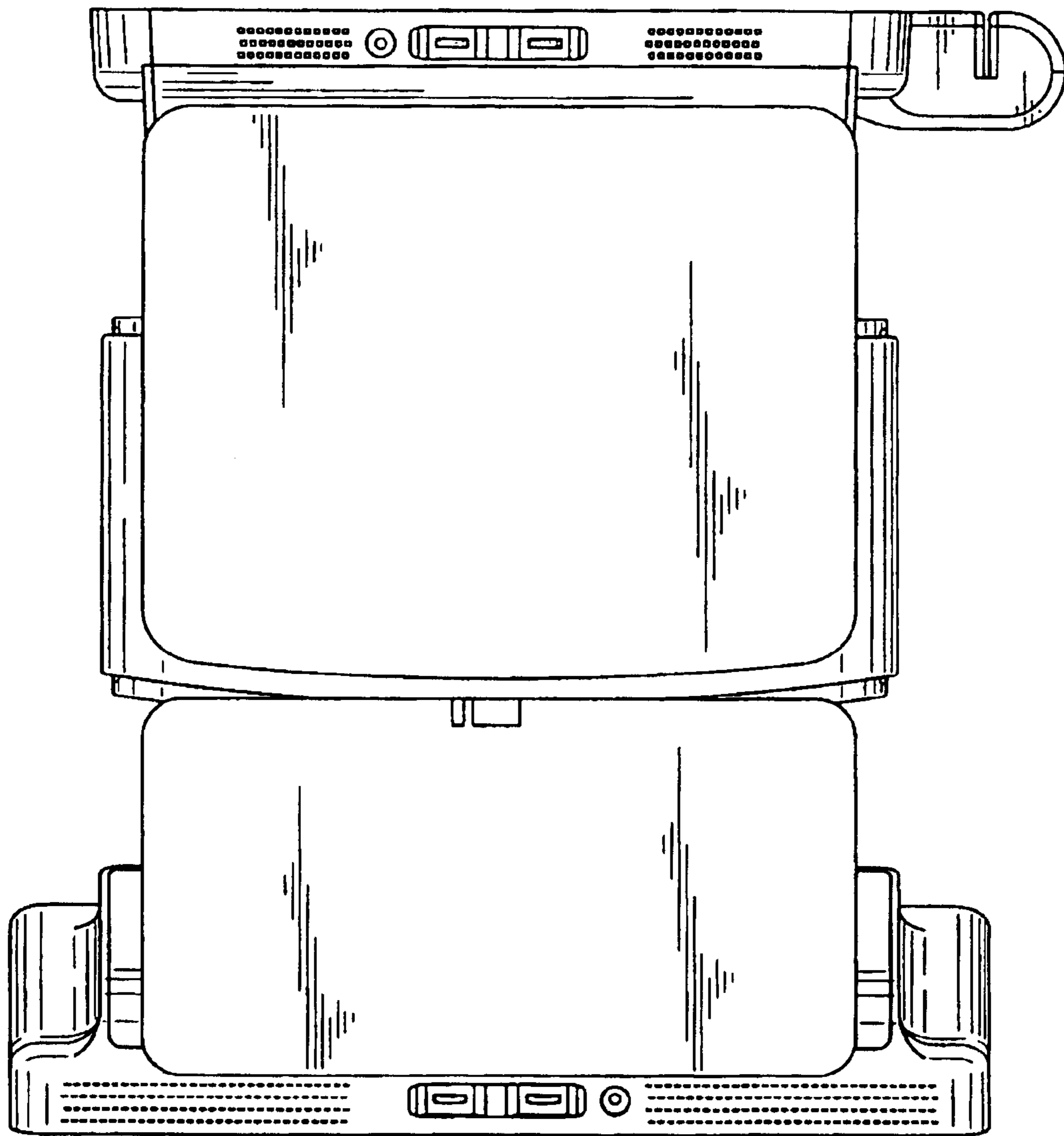


FIG. 8