



US00D542323S

(12) **United States Design Patent**  
**Takagi**

(10) **Patent No.:** **US D542,323 S**

(45) **Date of Patent:** **\*\* May 8, 2007**

(54) **CAMERA**

D521,043 S \* 5/2006 Takagi ..... D16/202  
D524,836 S \* 7/2006 Morita ..... D16/202

(75) Inventor: **Noriaki Takagi**, Tokyo (JP)

**FOREIGN PATENT DOCUMENTS**

(73) Assignee: **Sony Corporation**, Tokyo (JP)

JP D1162508 S 1/2003

(\*\*) Term: **14 Years**

**OTHER PUBLICATIONS**

(21) Appl. No.: **29/242,211**

Web page "DSC-T1" [http://www.sony.co.jp.uk/view/Show-Product.action?product=DSC-T1&site=odw\\_en\\_GB&pageType=Overview&category=DPH+Digital+Still+Cameras](http://www.sony.co.jp.uk/view/Show-Product.action?product=DSC-T1&site=odw_en_GB&pageType=Overview&category=DPH+Digital+Still+Cameras), 1 sheet, Sony (Sep. 2005).

(22) Filed: **Nov. 8, 2005**

(30) **Foreign Application Priority Data**

Jul. 21, 2005 (JP) ..... D2005-021183

\* cited by examiner

(51) **LOC (8) Cl.** ..... **16-01**

*Primary Examiner*—Adir Aronovich

(52) **U.S. Cl.** ..... **D16/218; D16/202**

(74) *Attorney, Agent, or Firm*—Rader, Fishman & Grauer PLLC

(58) **Field of Classification Search** ..... D16/200–205,  
D16/208, 209, 212, 218; 348/373–376; 358/909.1;  
396/535–541

(57) **CLAIM**

See application file for complete search history.

The ornamental design for a camera, as shown.

**DESCRIPTION**

(56) **References Cited**

FIG. 1 is a perspective view of a camera showing my new design;

**U.S. PATENT DOCUMENTS**

FIG. 2 is a front elevational view thereof;

D387,078 S \* 12/1997 Akita ..... D16/202

FIG. 3 is a rear elevational view thereof;

D423,544 S \* 4/2000 Yamamoto et al. .... D16/218

FIG. 4 is a left side elevational view thereof;

D494,203 S \* 8/2004 Yoo ..... D16/202

FIG. 5 is a right side elevational view thereof;

D494,205 S \* 8/2004 Kawase ..... D16/202

FIG. 6 is a top plan view thereof; and,

D496,678 S 9/2004 Kawase

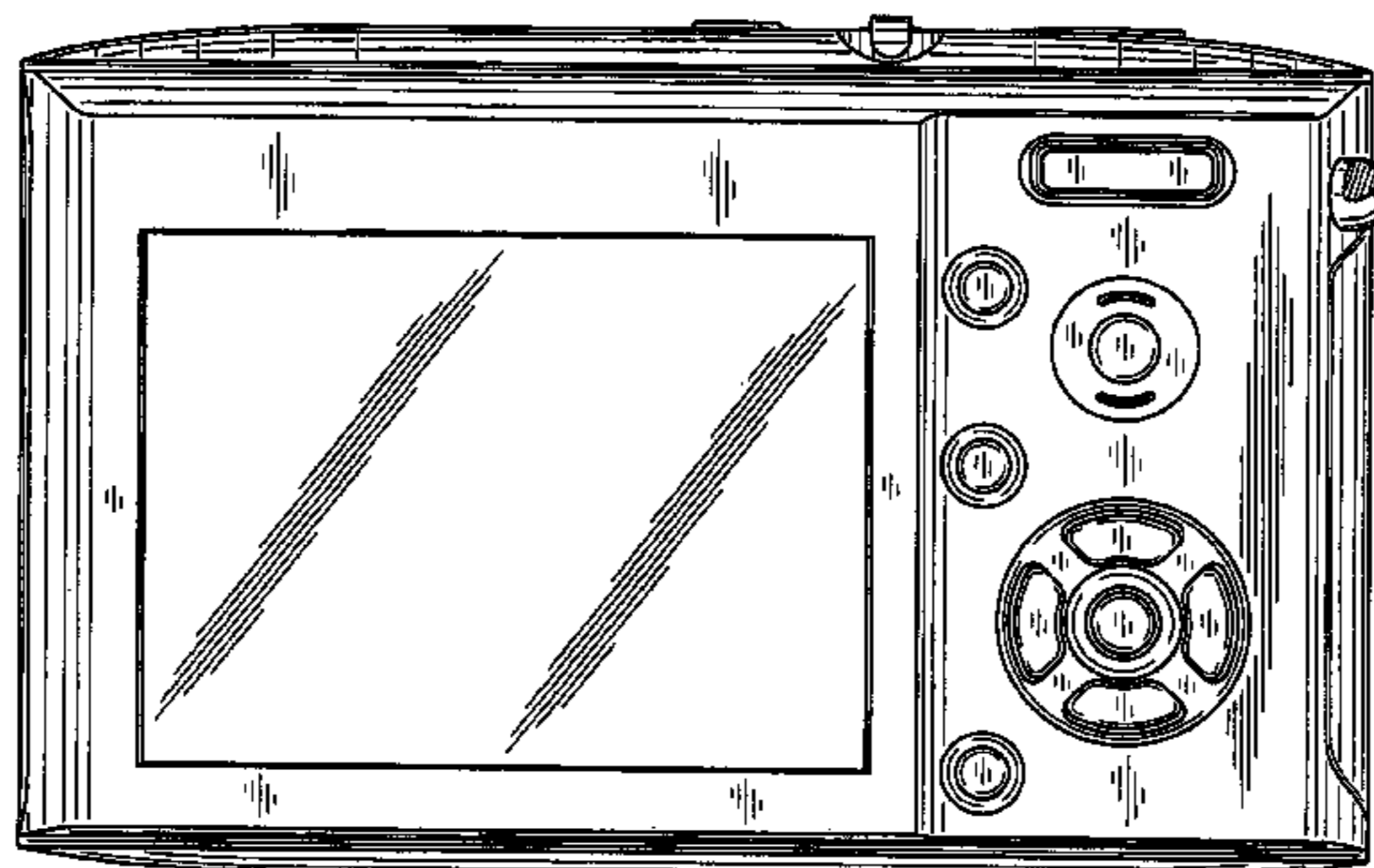
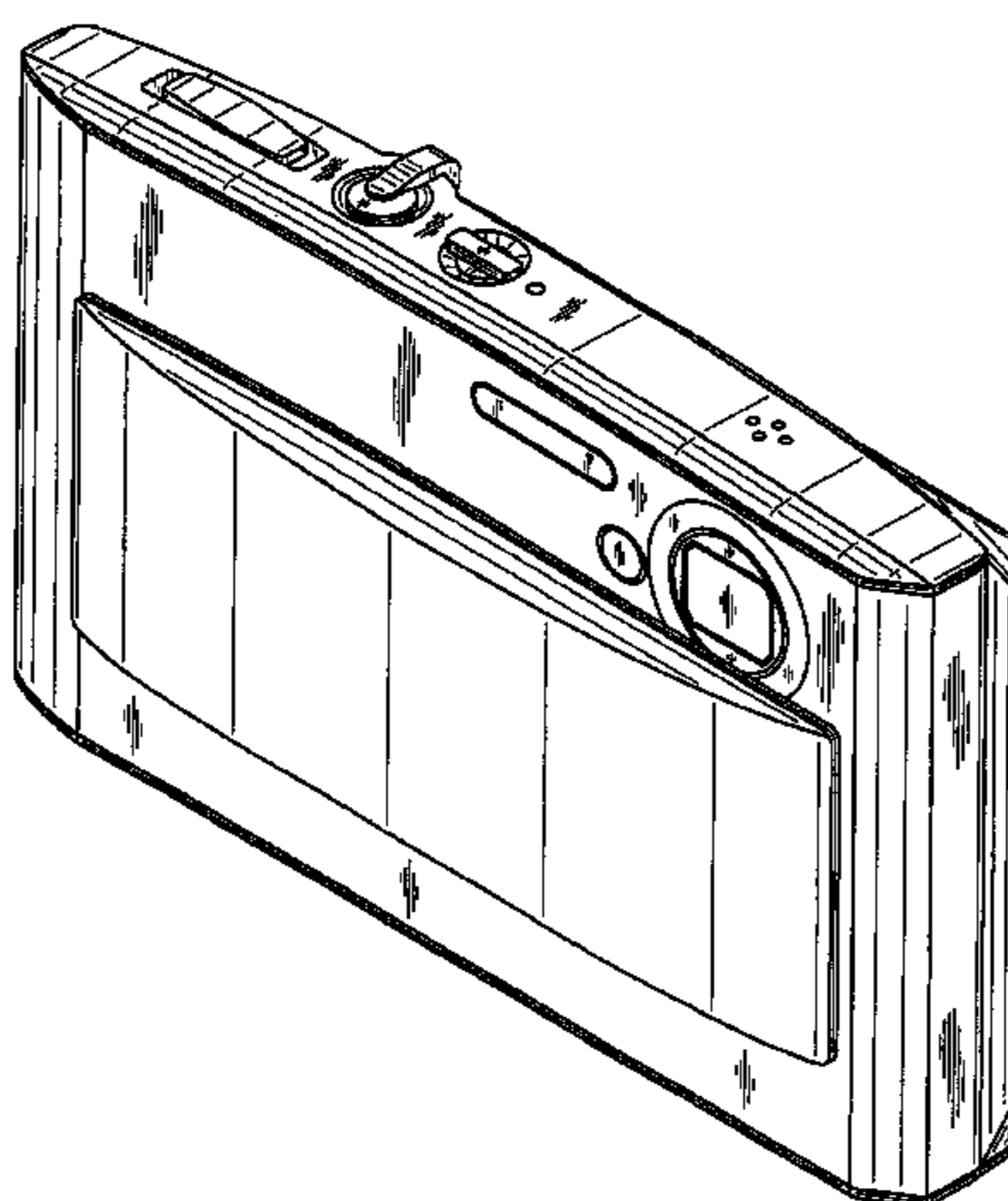
FIG. 7 is a bottom plan view thereof.

D508,065 S \* 8/2005 Dow et al. .... D16/202

D508,711 S 8/2005 Suzuki

D519,539 S \* 4/2006 Takagi ..... D16/218

**1 Claim, 7 Drawing Sheets**



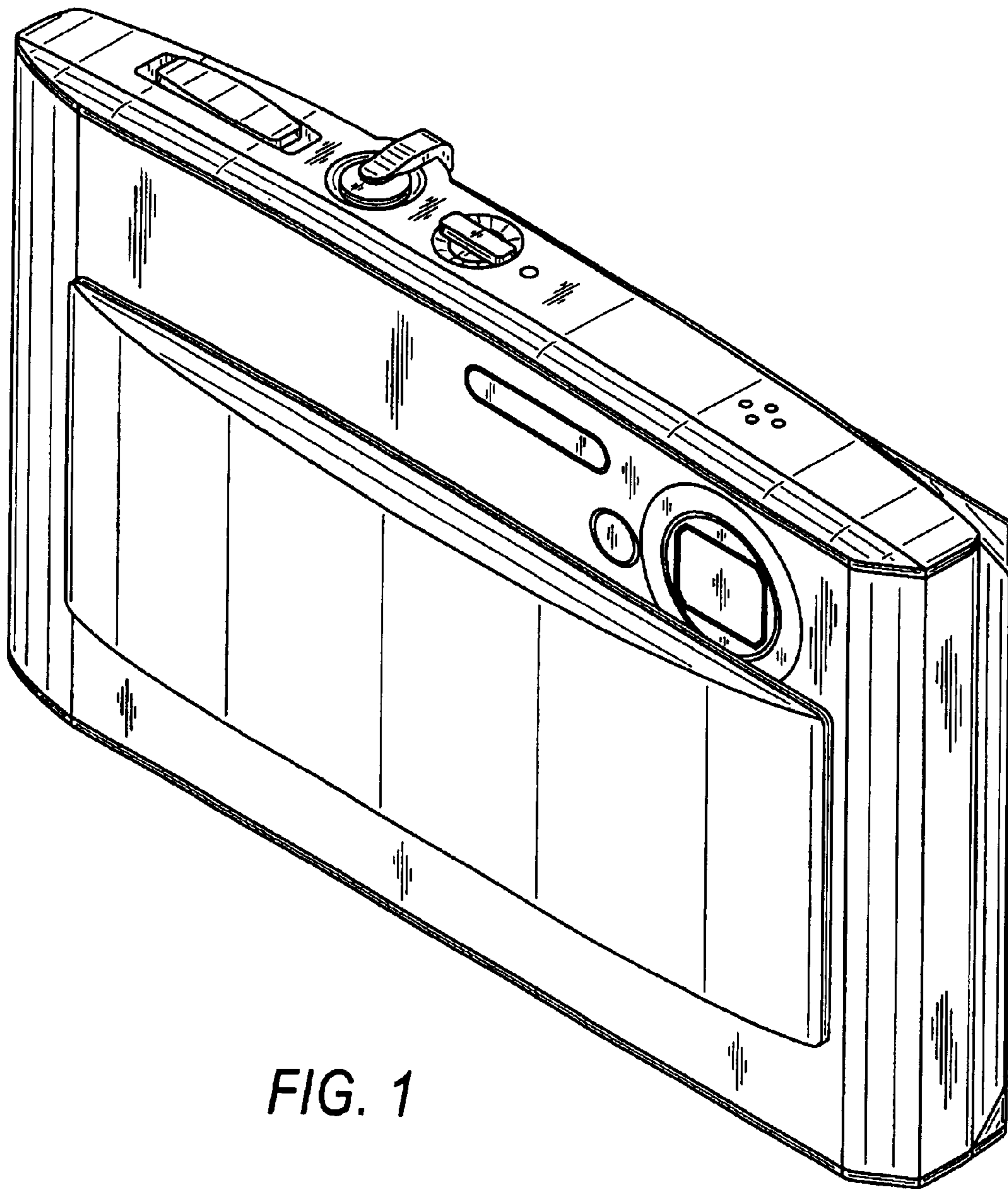


FIG. 1

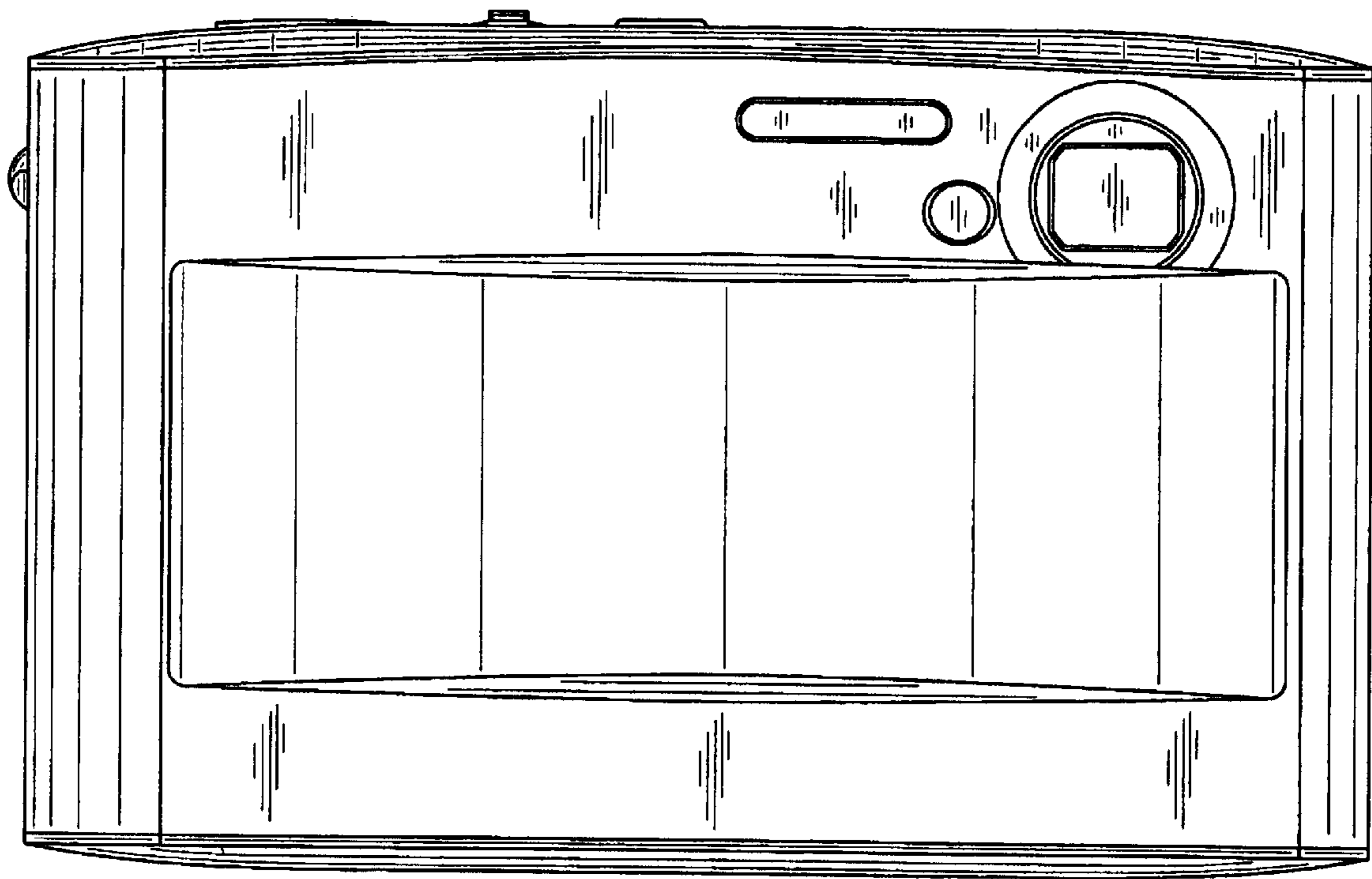


FIG. 2

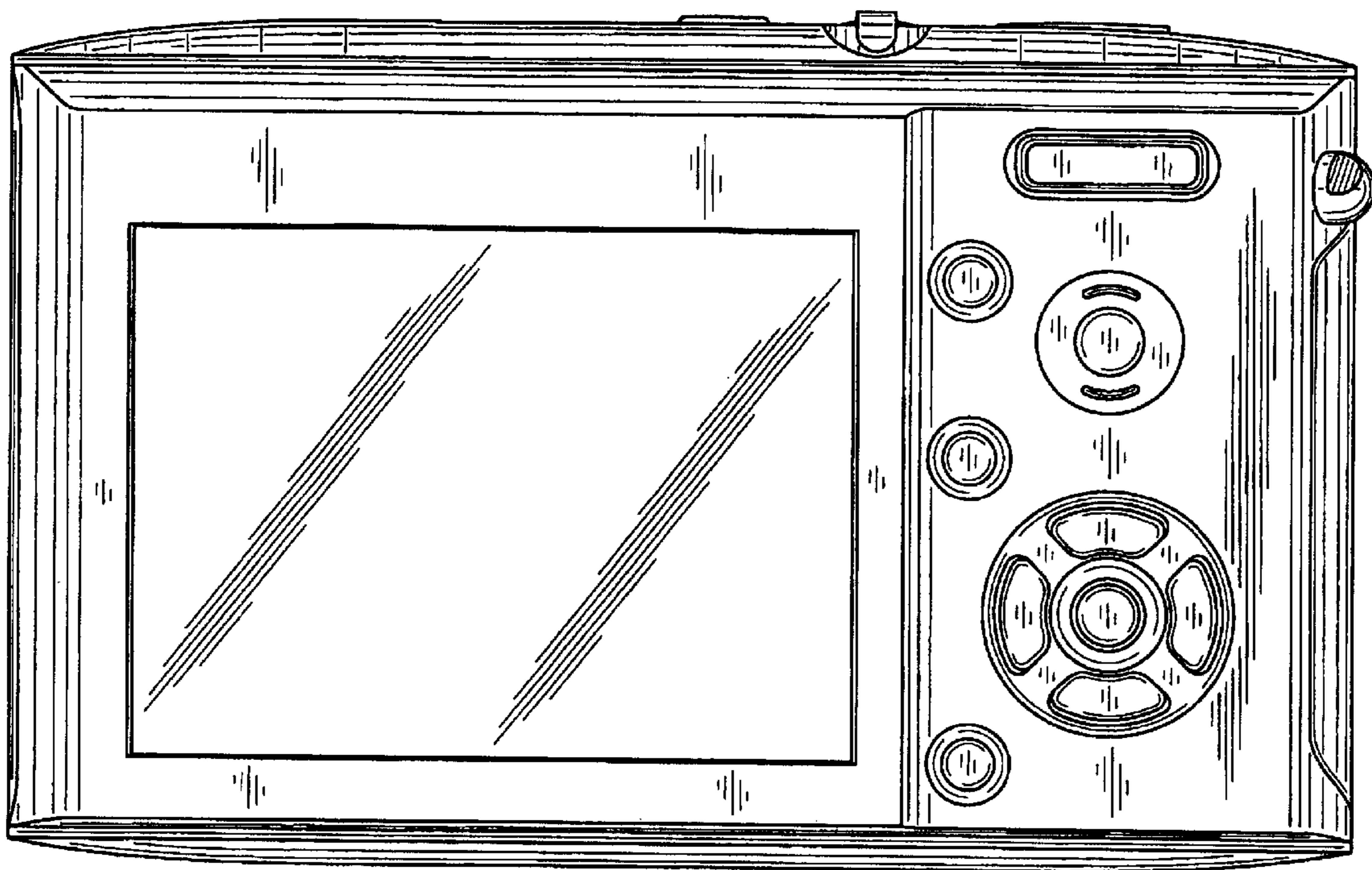
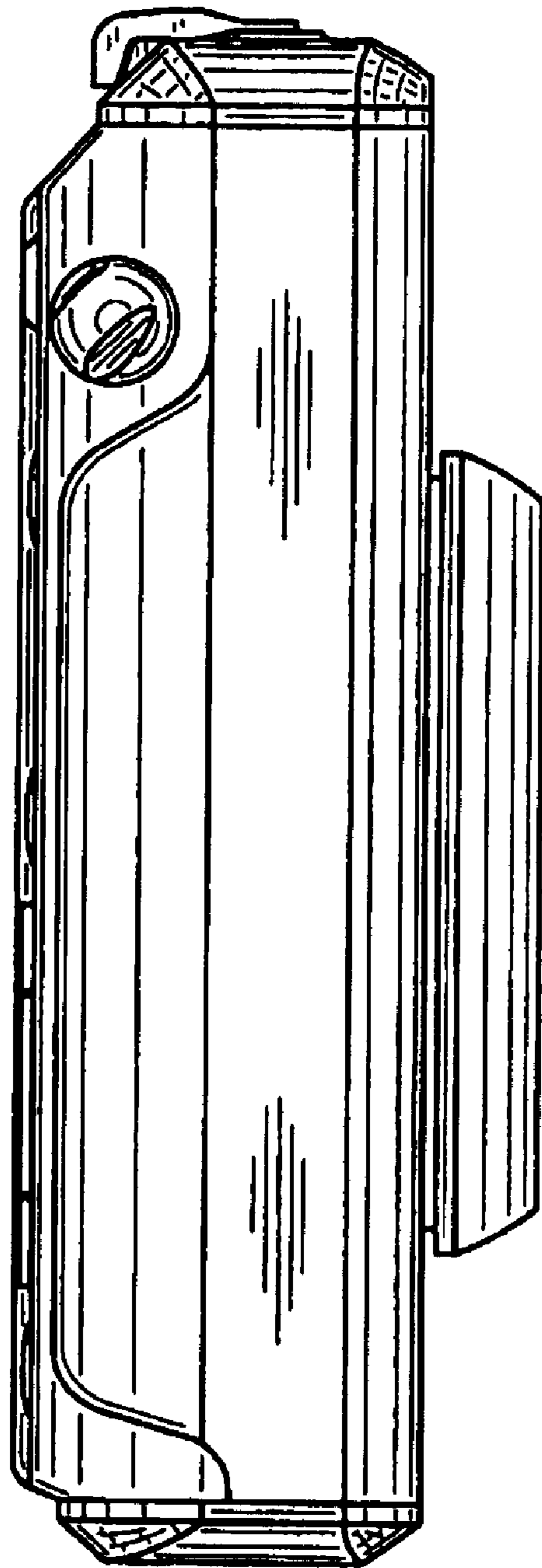
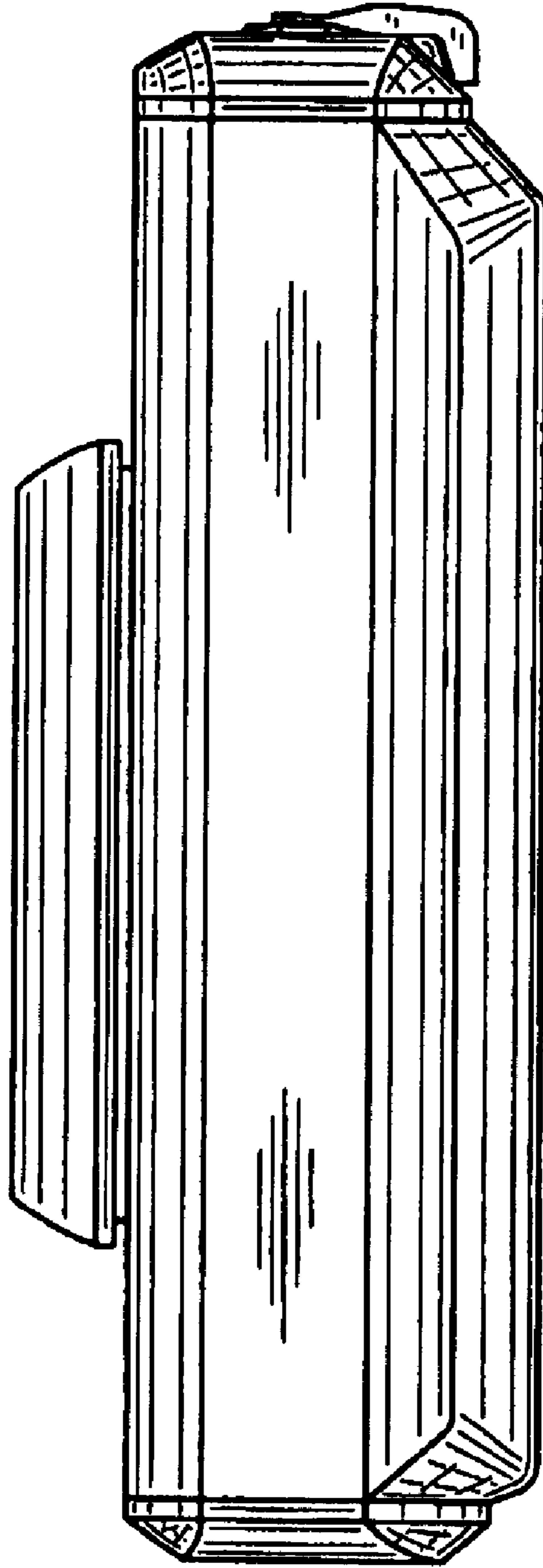


FIG. 3



**FIG. 4**



**FIG. 5**

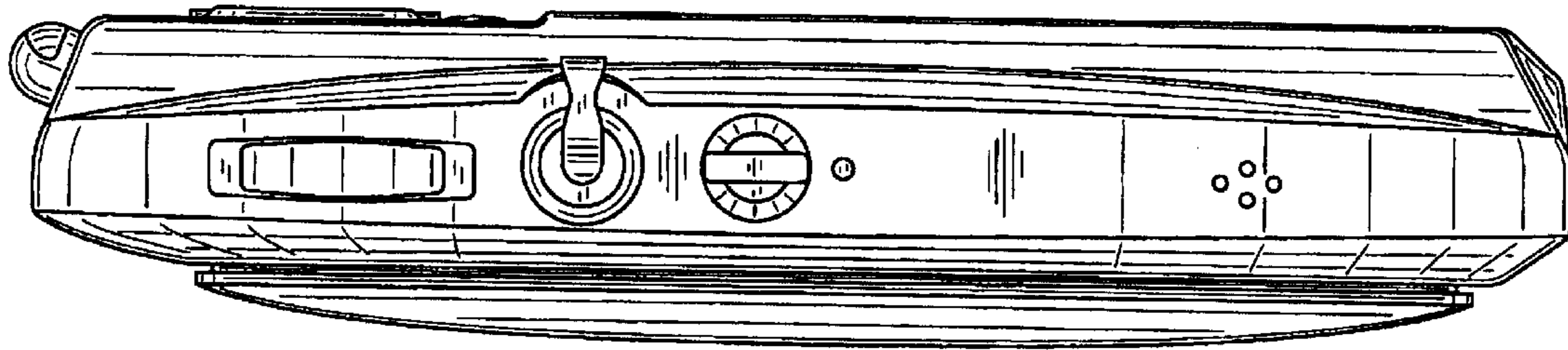


FIG. 6

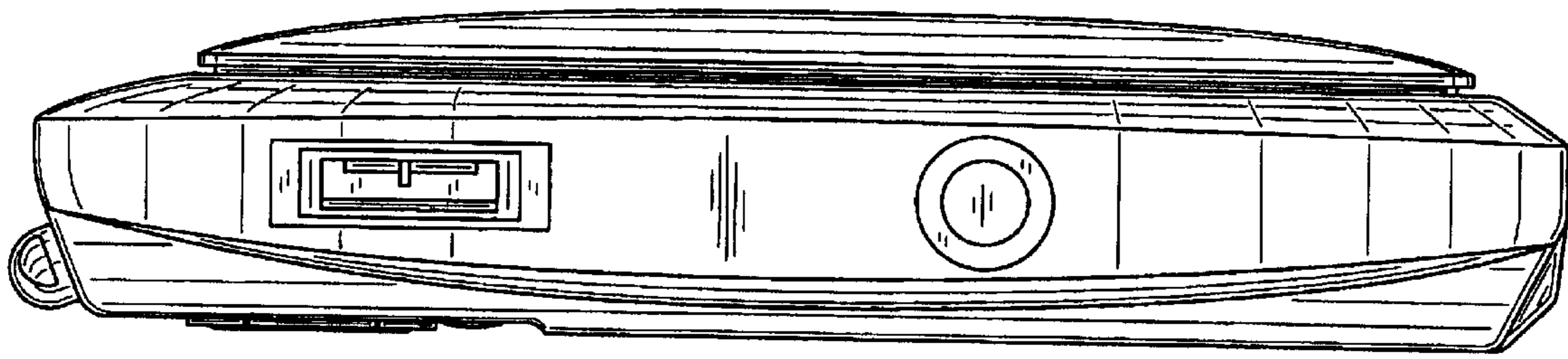


FIG. 7