



US00D542322S

(12) **United States Design Patent**
Miyashita

(10) **Patent No.:** **US D542,322 S**
(45) **Date of Patent:** **** May 8, 2007**

(54) **CAMERA**

(75) Inventor: **Shin Miyashita**, Tokyo (JP)

(73) Assignee: **Sony Corporation**, Tokyo (JP)

(**) Term: **14 Years**

(21) Appl. No.: **29/242,209**

(22) Filed: **Nov. 8, 2005**

(30) **Foreign Application Priority Data**

Jul. 21, 2005 (JP) D2005-021184

(51) **LOC (8) Cl.** **16-01**

(52) **U.S. Cl.** **D16/218; D16/202**

(58) **Field of Classification Search** D16/200–205,
D16/208, 209, 212, 218; 348/373–376; 358/909.1;
396/535–541

See application file for complete search history.

(56) **References Cited**

U.S. PATENT DOCUMENTS

D387,078 S	*	12/1997	Akita	D16/202
D423,544 S	*	4/2000	Yamamoto et al.	D16/218
D494,203 S	*	8/2004	Yoo	D16/202
D494,205 S		8/2004	Kawase		
D496,678 S		9/2004	Kawase		
D508,065 S	*	8/2005	Dow et al.	D16/202
D508,711 S		8/2005	Suzuki		
D519,539 S	*	4/2006	Takagi	D16/202
D521,043 S	*	5/2006	Takagi	D16/218
D524,836 S	*	7/2006	Morita	D16/202

FOREIGN PATENT DOCUMENTS

JP D1162508 S 1/2003

OTHER PUBLICATIONS

Web page “DSC-T1” http://www.sony.co.jp/view/Show-Product.action?product=DSC-T1&site=odw___GB&pageType=Overview&category=DPH+Digital+Still+Cameras, 1 sheet, Sony (Sep. 2005).

* cited by examiner

Primary Examiner—Adir Aronovich

(74) *Attorney, Agent, or Firm*—Rader, Fishman & Grauer PLLC

(57) **CLAIM**

The ornamental design for a camera, as shown and described.

DESCRIPTION

FIG. 1 is a perspective view of a camera showing my new design;

FIG. 2 is a front elevational view thereof;

FIG. 3 is a rear elevational view thereof;

FIG. 4 is a left side elevational view thereof;

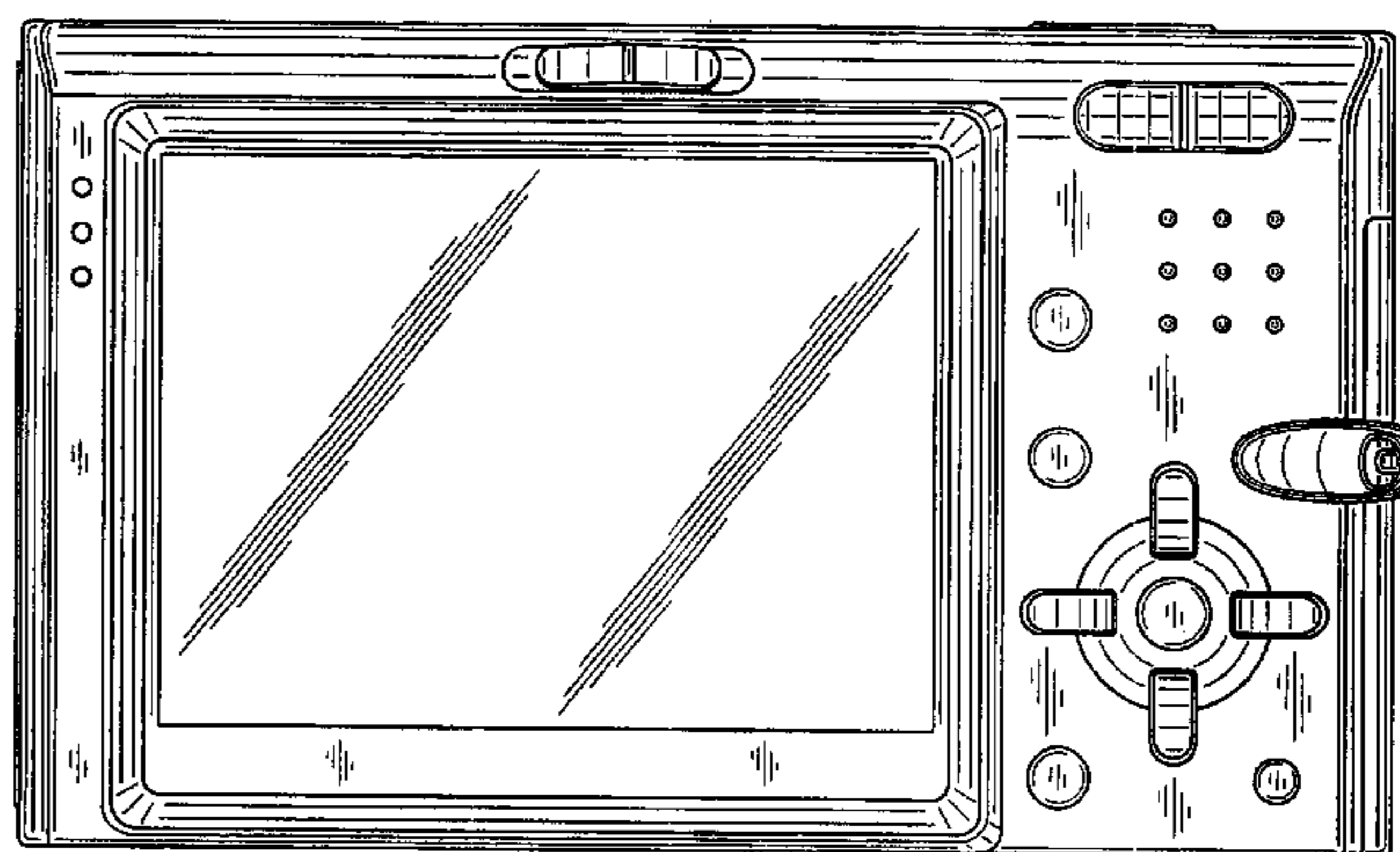
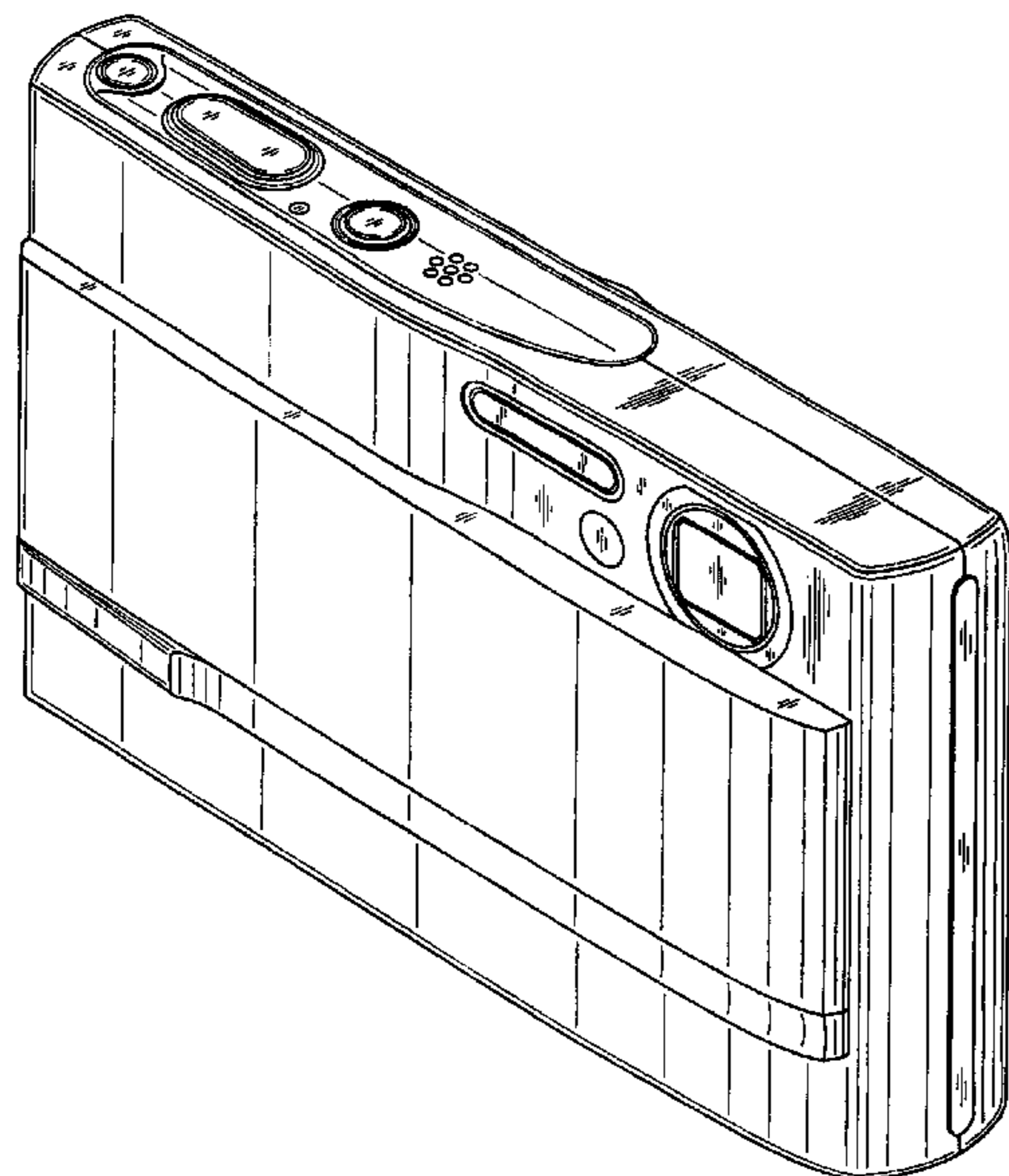
FIG. 5 is a right side elevational view thereof;

FIG. 6 is a top plan view thereof; and,

FIG. 7 is a bottom plan view thereof.

Portions of FIG. 7 that are shown as broken lines are for illustrative purpose only and form no part of the claimed design.

1 Claim, 7 Drawing Sheets



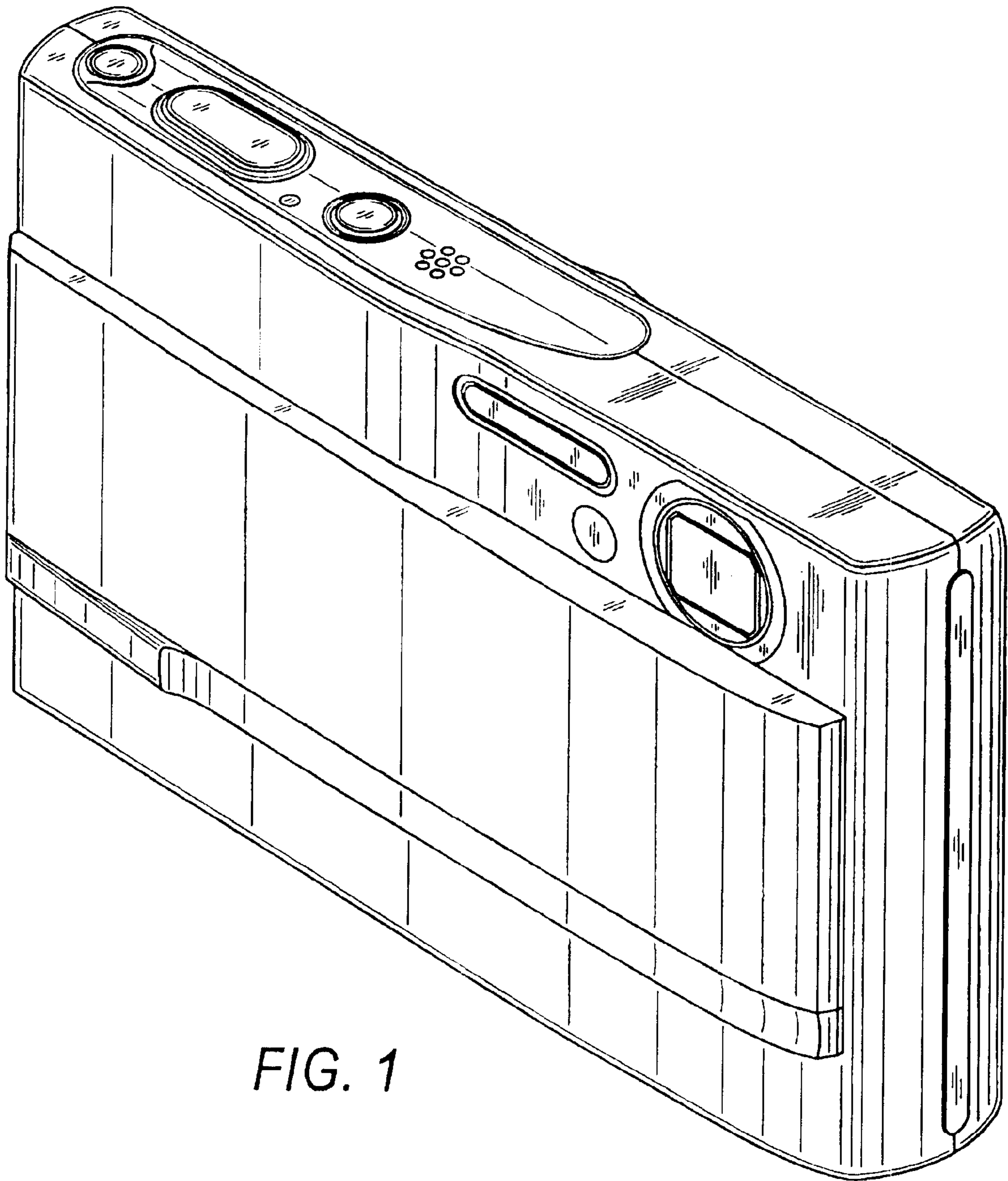


FIG. 1

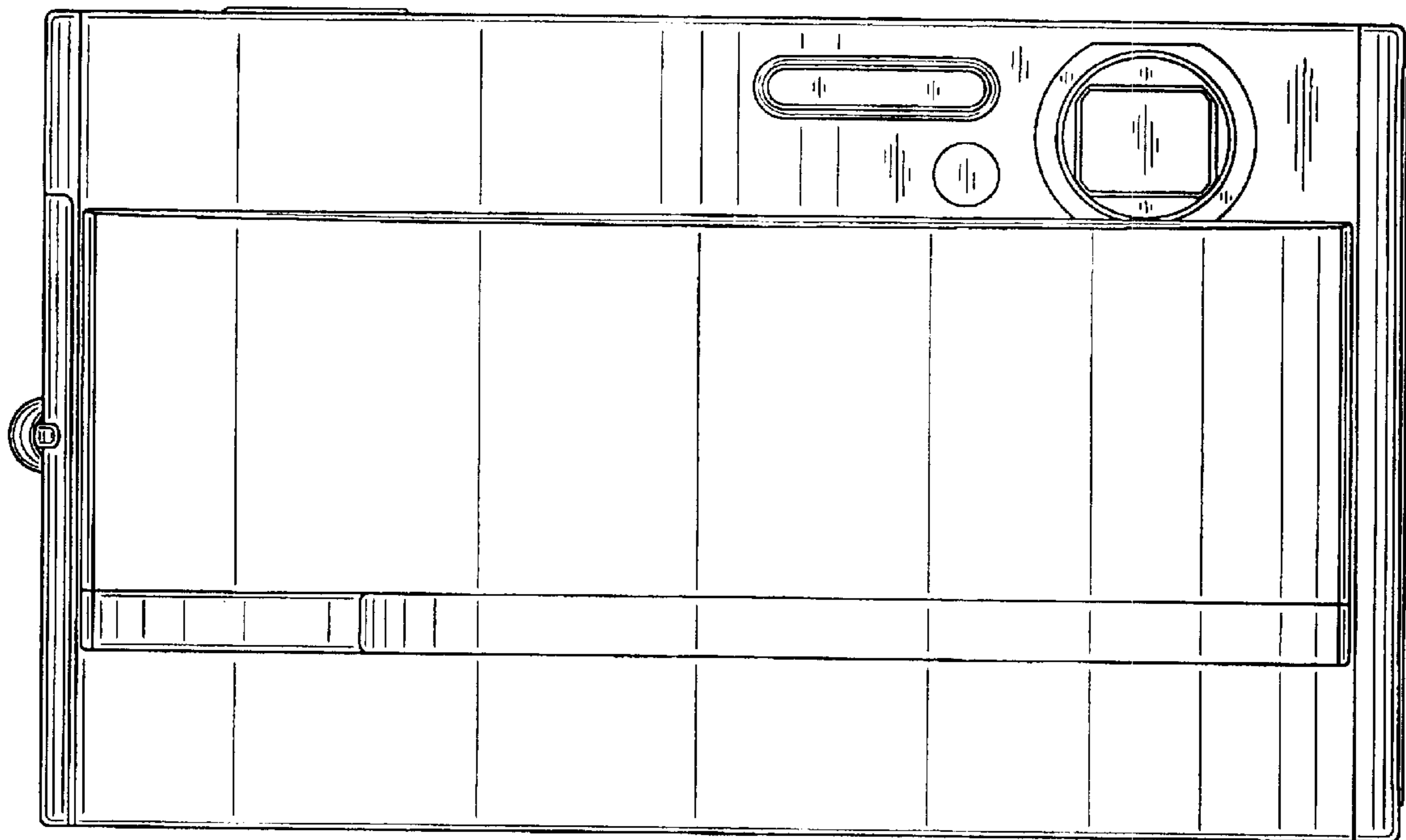


FIG. 2

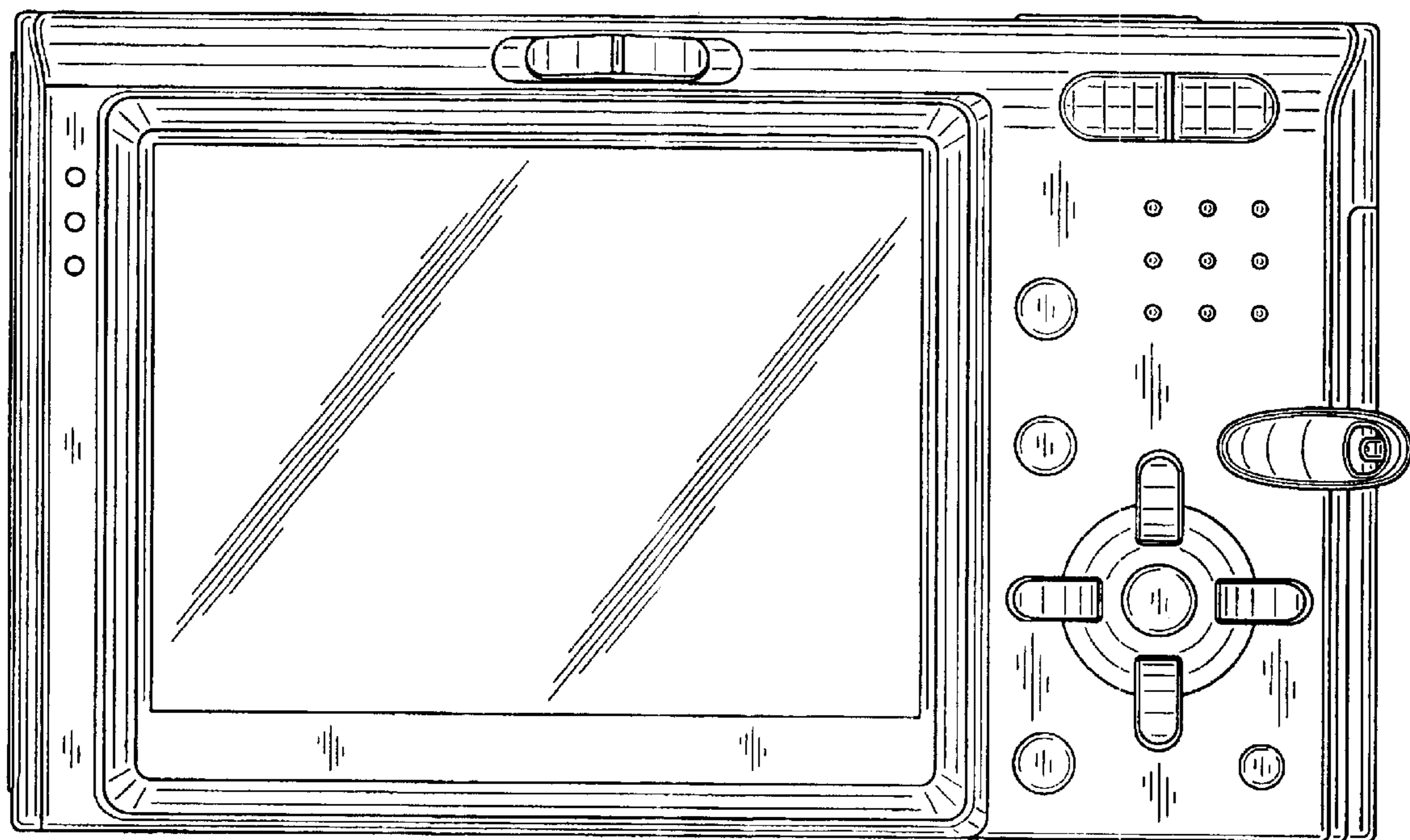


FIG. 3

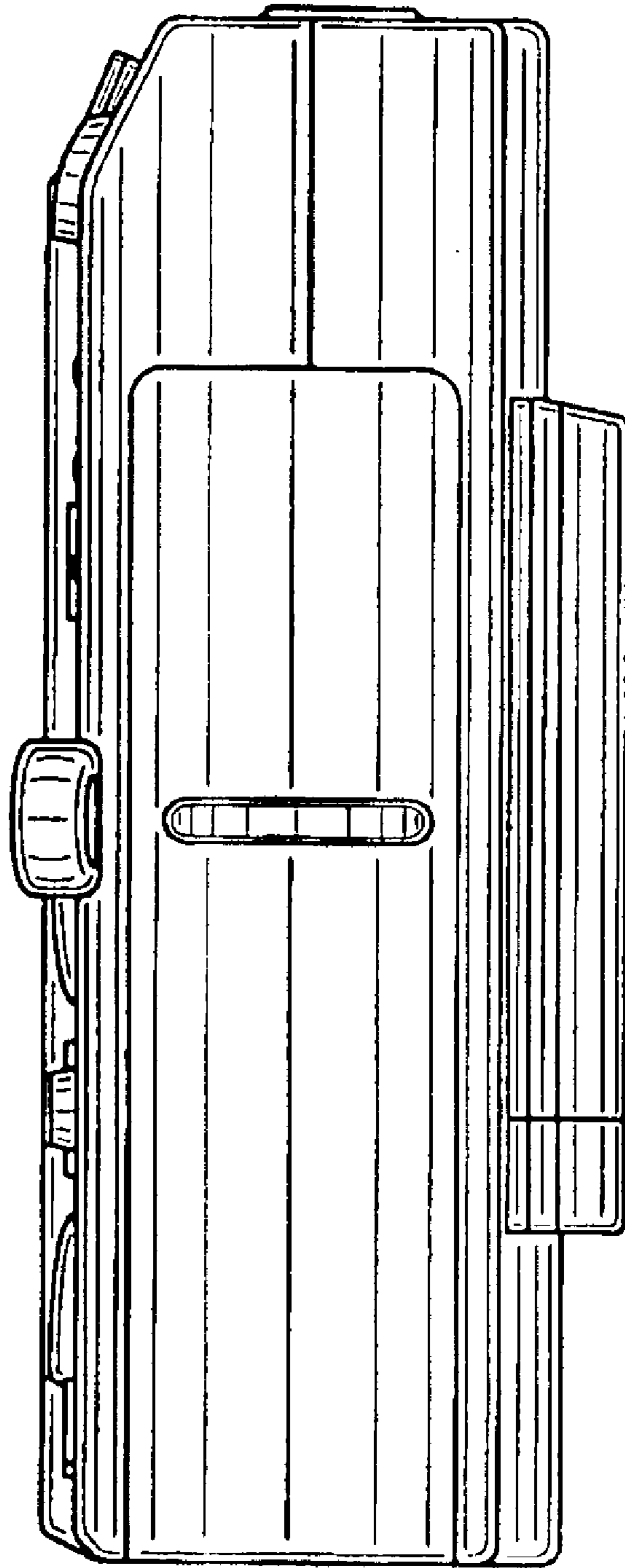


FIG. 4

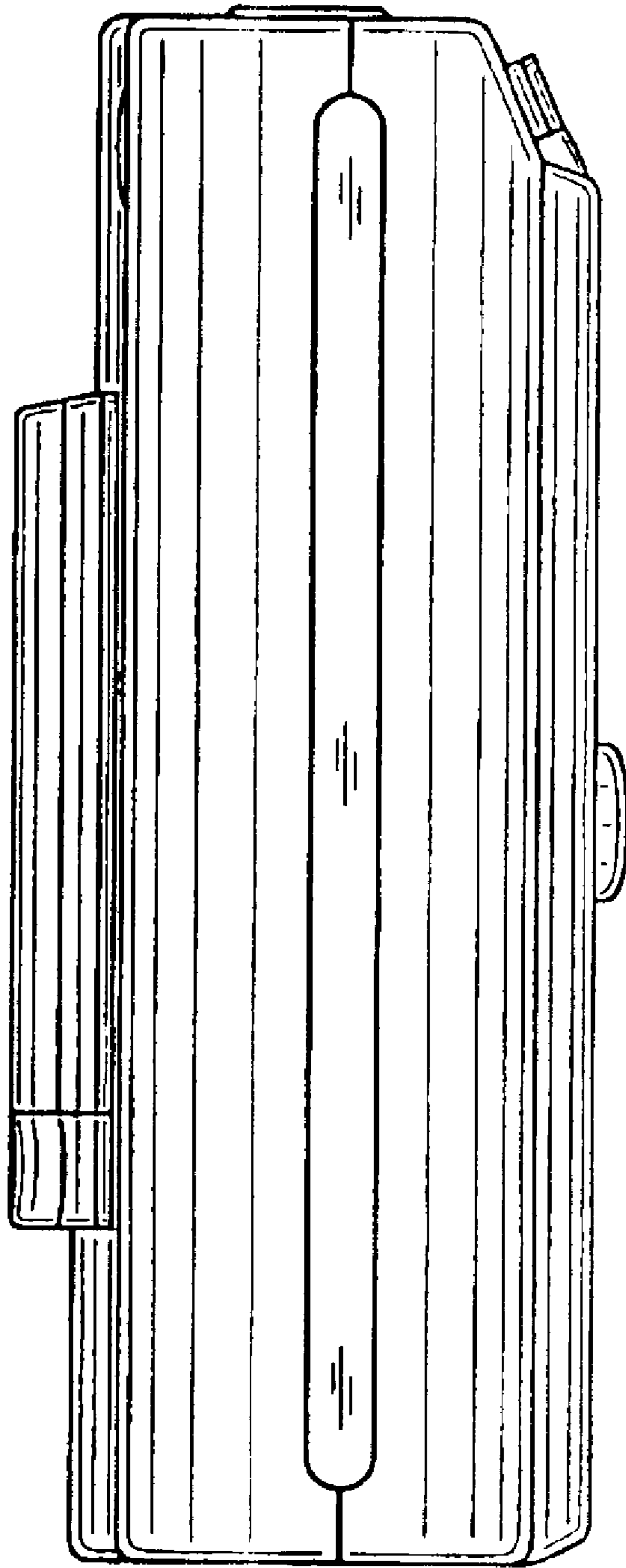


FIG. 5

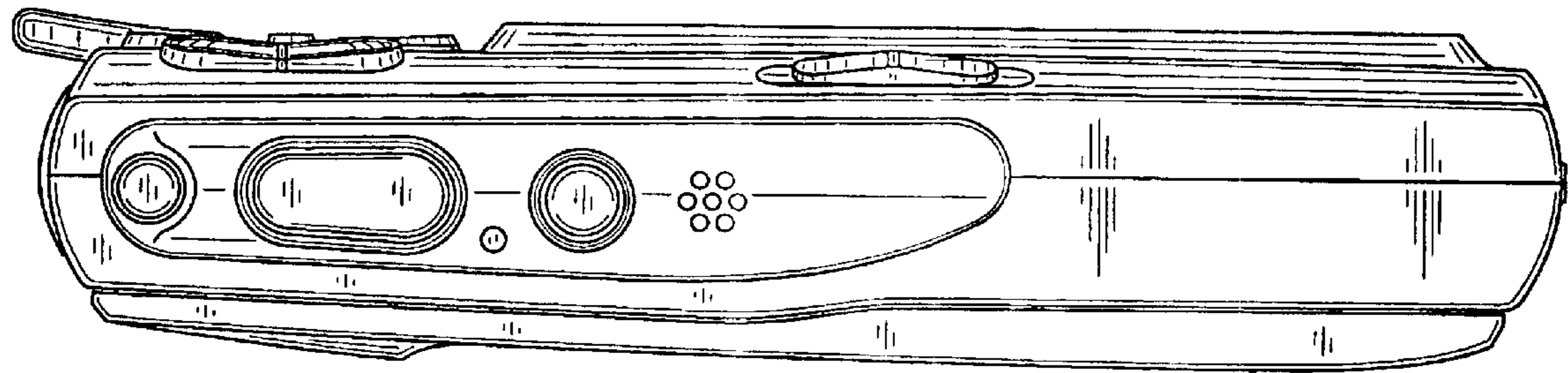


FIG. 6

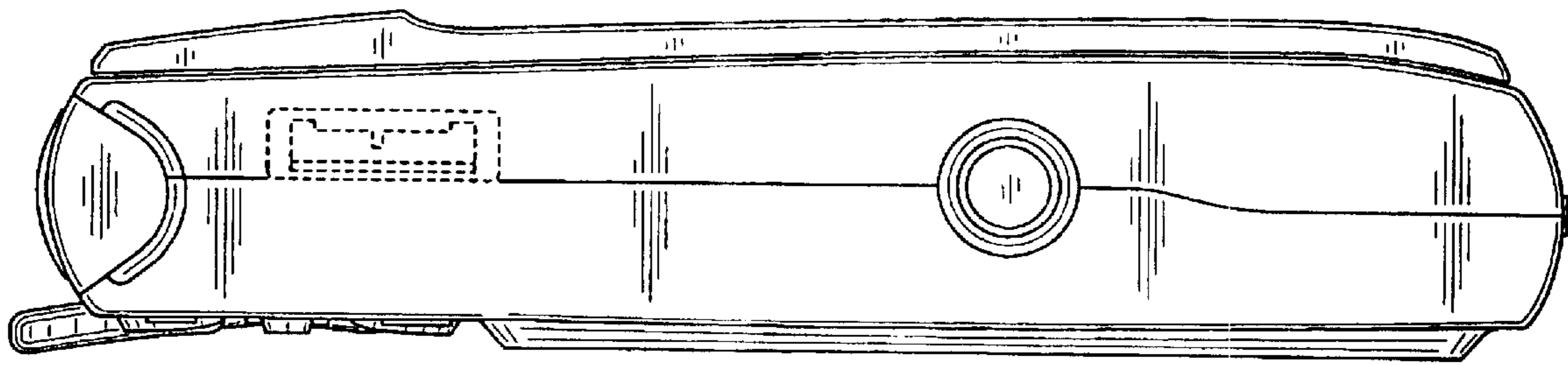


FIG. 7